



# Merkur™

High Performance Fine Finish Packages



Precise pressure and output in a variety of configurations  
delivers long lasting superior performance

PROVEN QUALITY. LEADING TECHNOLOGY.

# Advanced Technology. Superior Performance.



The Merkur® spray packages are designed to outperform and outlast other pumps in their class. With a variety of models and configurations to choose from, you get the precise pressure and output you need for all of your finishing applications.

## Air Motor

- Highest technology air motor on the market
- Low air consumption for increased efficiency
- Muffler provides low operating noise levels
- External valve access allows for easy servicing and online replacement to minimize downtime

## Operator Control Panel

- Air controls located at operator height for easy setting and monitoring

## Throat Seal and Rod Enclosure

- Protects pumped material and wet cup from contamination but can be easily removed to monitor and service



## DataTrak™

Monitor and protect your pump with our patented DataTrak which integrates local monitoring systems!

- Easy to set runaway protection, where you set the cycle rate limit
- Pump diagnostics help advise when to maintain the pump
- Resettable batch counter tracks material usage and maintenance schedule

# Long-Lasting Durability

## Pump Lower

- Easy-to-flush design allows for fast colour changes and reduced solvent usage
- 300 Series stainless steel pump construction provides long-lasting durability
- Designed for improved serviceability with fewer parts and lower cost of ownership

### Air Valve

Provides smooth and rapid changeover

### Quick Removal Coupler

Allows easy disassembly of the pump lower from the air motor

### Throat Seal Liquid (TSL™) Level Indicator

Extended wet cup for external filling and monitoring of TSL™ levels

### Piston and Displacement Rod

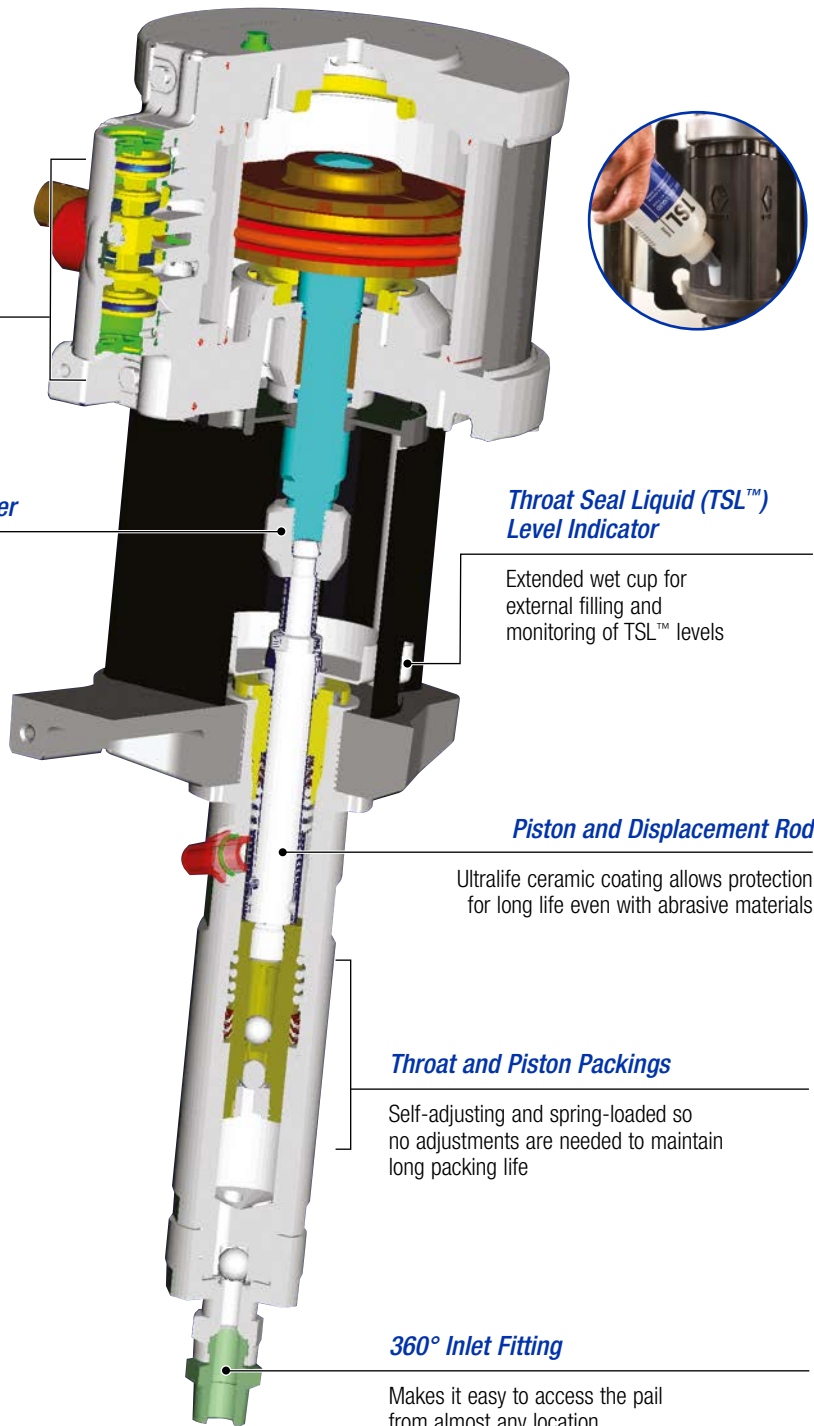
Ultralife ceramic coating allows protection for long life even with abrasive materials

### Throat and Piston Packings

Self-adjusting and spring-loaded so no adjustments are needed to maintain long packing life

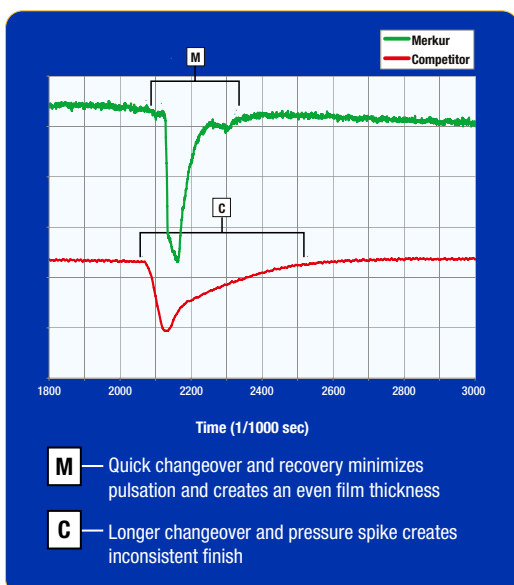
### 360° Inlet Fitting

Makes it easy to access the pail from almost any location



## Less Pulsation for Better Results

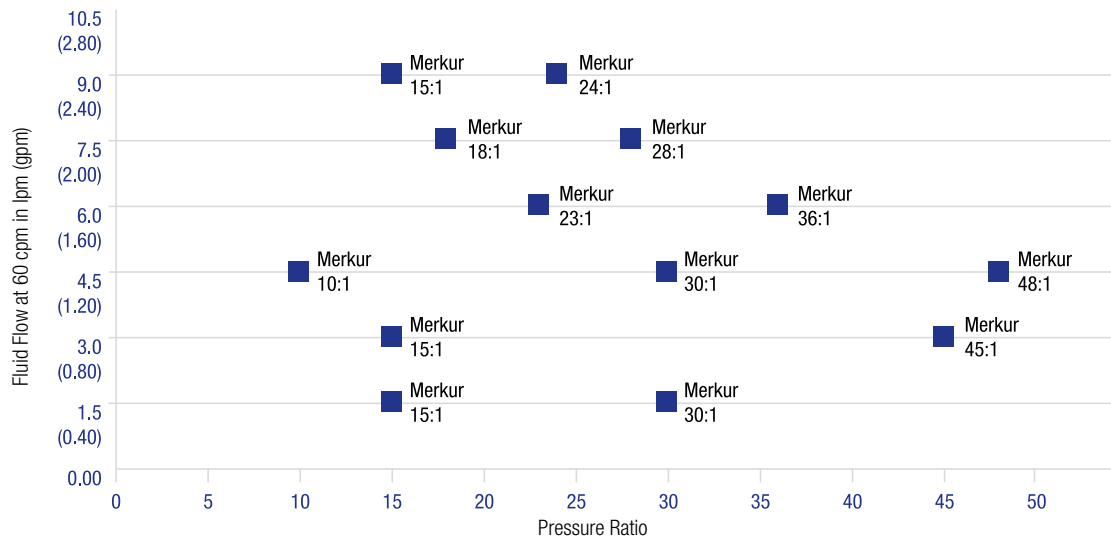
Merkur is designed to provide a smooth, rapid changeover for a better, more consistent finish and less user fatigue.



# Making the Right Choice for your Application

## The right flows at the right pressures to fit all of your spraying needs.

With 13 different pump models to choose from, Merkur fine finish spray packages are designed to improve productivity, reduce costs, lower emissions and provide consistent, high quality finishes for all of your demanding applications.



# Making the Right Choice for your Application

Combine a Merkur pump with a variety of guns and accessories, and you'll be on your way to selecting the package that's right for you!

## 1. Select a Spray Technology



PerformAA™  
Air Assist Gun



PerformAA™  
Airless Gun



PRO Xp™  
Air-Assisted Electrostatic

## 2. Select a Mounting Configuration



Cart Mount

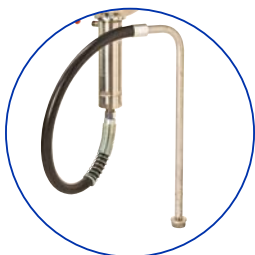


Wall Mount



Stand Mount

## 3. Determine the Accessories that are right for you!



Suction Hose



Hopper



Heater



Filter

# Ordering Information

## Air-Assisted Packages



Air-Assisted Cart Package

Merkur Assembly Part No.	Pump Ratio	Flow Rate at 60 cpm lpm (gpm)	Wall Mount	Cart Mount	Stand Mount	DataTrak	DataTrak - Cycle Count Only	PerformAA 15 General Finishing Air Cap	PerformAA 15 Air Cap	Fluid Filter	Suction Hose	Hopper (5 liter)
<b>Merkur 10:1 - 4.5 lpm (1.2 gpm)</b>												
G10W05	10	4.5 (1.2)	•					•			•	
G10W06	10	4.5 (1.2)	•			•		•			•	
G10W07	10	4.5 (1.2)	•					•		•	•	
G10W08	10	4.5 (1.2)	•			•		•		•	•	
G10W11	10	4.5 (1.2)	•						LV	•	•	
G10C07	10	4.5 (1.2)		•				•			•	
G10C08	10	4.5 (1.2)		•		•		•			•	
G10C09	10	4.5 (1.2)		•				•		•	•	
G10C10	10	4.5 (1.2)		•		•		•		•	•	
G10C11	10	4.5 (1.2)		•				•				•
G10C13	10	4.5 (1.2)		•				•		•		•
G10C15	10	4.5 (1.2)		•					LV	•	•	
<b>Merkur 15:1 - 1.5 lpm (0.4 gpm)</b>												
G15W05	15	1.5 (0.4)	•					•			•	
G15W06	15	1.5 (0.4)	•				•	•			•	
G15W07	15	1.5 (0.4)	•					•		•	•	
G15W08	15	1.5 (0.4)	•				•	•		•	•	
G15W11	15	1.5 (0.4)	•						WL		•	
G15W13	15	1.5 (0.4)	•						WL	•	•	
G15C07	15	1.5 (0.4)		•				•			•	
G15C08	15	1.5 (0.4)		•			•	•			•	
G15C09	15	1.5 (0.4)		•				•		•	•	
G15C10	15	1.5 (0.4)		•			•	•		•	•	
G15C11	15	1.5 (0.4)		•				•				•
G15C12	15	1.5 (0.4)		•			•	•				•
G15C13	15	1.5 (0.4)		•				•		•		•
G15C14	15	1.5 (0.4)		•			•	•		•		•
G15C15	15	1.5 (0.4)		•					WL		•	
G15C17	15	1.5 (0.4)		•					WL	•	•	
G15T03	15	1.5 (0.4)			•			•			•	
G15T04	15	1.5 (0.4)			•		•	•			•	
G15T05	15	1.5 (0.4)			•			•				•
<b>Merkur 15:1 - 3.0 lpm (0.8 gpm)</b>												
G15W25	15	3.0 (0.8)	•					•			•	
G15W26	15	3.0 (0.8)	•			•		•			•	
G15W27	15	3.0 (0.8)	•					•		•	•	
G15W28	15	3.0 (0.8)	•			•		•		•	•	
G15C27	15	3.0 (0.8)		•				•			•	
G15C28	15	3.0 (0.8)		•		•		•			•	
G15C29	15	3.0 (0.8)		•				•		•	•	
G15C30	15	3.0 (0.8)		•		•		•		•	•	
G15C31	15	3.0 (0.8)		•				•				•
G15C33	15	3.0 (0.8)		•				•		•		•
G15T13	15	3.0 (0.8)			•			•			•	
G15T14	15	3.0 (0.8)			•	•		•			•	
G15T15	15	3.0 (0.8)			•			•				•
<b>Merkur 15:1 - 9.0 lpm (2.4 gpm)</b>												
G15W55	15	9.0 (2.4)	•					•		•	•	
G15W56	15	9.0 (2.4)	•			•		•		•	•	
G15C83	15	9.0 (2.4)		•				•		•	•	
G15C84	15	9.0 (2.4)		•		•		•		•	•	

\*All packages include a 7.5m (25 ft) fluid and air hose and an AXM or AXF spray tip  
Air caps: LV = low viscosity, WL = wood lacquer

# Ordering Information

## Air-Assisted Packages

Merkur Assembly Part No.	Pump Ratio	Flow Rate at 60 cpm lpm (gpm)	Wall Mount	Cart Mount	Data Trak	PerformAA 50	PerformAA RAC Gun	Fluid Filter	Suction Hose	Hopper	Heated Package	Heater Voltage
<b>Merkur 18:1 - 7.5 lpm (2.0 gpm)</b>												
G18W07	18	7.5 (2.0)	•			•		•	•			
G18W08	18	7.5 (2.0)	•		•	•		•	•			
G18W09	18	7.5 (2.0)	•				•	•	•			
G18W10	18	7.5 (2.0)	•		•		•	•	•			
G18C05	18	7.5 (2.0)		•		•		•	•			
G18C06	18	7.5 (2.0)		•	•	•		•	•			
G18C07	18	7.5 (2.0)		•			•	•	•			
G18C08	18	7.5 (2.0)		•	•		•	•	•			
<b>Merkur 23:1 - 6.0 lpm (1.6 gpm)</b>												
G23W09	23	6.0 (1.6)	•			•		•	•			
G23W10	23	6.0 (1.6)	•		•	•		•	•			
G23W11	23	6.0 (1.6)	•				•	•	•			
G23W12	23	6.0 (1.6)	•		•		•	•	•			
G23C07	23	6.0 (1.6)		•		•				•		
G23C11	23	6.0 (1.6)		•		•		•		•		
G23C09	23	6.0 (1.6)		•		•		•	•			
G23C12	23	6.0 (1.6)		•	•	•		•	•			
G23C13	23	6.0 (1.6)		•			•	•	•			
G23C14	23	6.0 (1.6)		•	•		•	•	•			
<b>Merkur 23:1 - 6.0 lpm (1.6 gpm)</b>												
G24W07	24	2.4 (9.0)	•			•		•	•			
G24W08	24	2.4 (9.0)	•		•	•		•	•			
G24W09	24	2.4 (9.0)	•				•	•	•			
G24W10	24	2.4 (9.0)	•		•		•	•	•			
G24C09	24	2.4 (9.0)		•		•		•	•			
G24C10	24	2.4 (9.0)		•	•	•		•	•			
G24C11	24	2.4 (9.0)		•			•	•	•			
G24C12	24	2.4 (9.0)		•	•		•	•	•			
<b>Merkur 28:1 - 7.5 lpm (2.0 gpm)</b>												
G28W11	28	7.5 (2.0)	•			•		•	•			
G28W12	28	7.5 (2.0)	•		•	•		•	•			
G28W13	28	7.5 (2.0)	•				•	•	•			
G28W14	28	7.5 (2.0)	•		•		•	•	•			
G28W17	28	7.5 (2.0)	•			•		•	•		•	120
G28W18	28	7.5 (2.0)	•		•	•		•	•		•	120
G28C09	28	7.5 (2.0)		•		•		•	•			
G28C10	28	7.5 (2.0)		•	•	•		•	•			
G28C11	28	7.5 (2.0)		•			•	•	•			
G28C12	28	7.5 (2.0)		•	•		•	•	•			
G28C15	28	7.5 (2.0)		•		•		•	•		•	120
G28C16	28	7.5 (2.0)		•	•	•		•	•		•	120

\*All packages have a 7.5 m (25 ft) fluid and air hose



Air-Assisted Cart Package



# Ordering Information

## Air-Assisted Packages



Airless Wall Mount Package



Air-Assist Stand Package

Merkur Assembly Part No.	Pump Ratio	Flow Rate at 60 cpm lpm (gpm)	Wall Mount	Cart Mount	Stand Mount	DataTrak	PerformAA 50	PerformAA RAC Gun	Fluid Filter	Suction Hose	Hopper (5 liter)	Heated Package	Heater Voltage
<b>Merkur 30:1 - 1.5 lpm (0.4 gpm)</b>													
G30W13	30	1.5 (0.4)	•				•			•			
G30W14	30	1.5 (0.4)	•			•	•			•			
G30W15	30	1.5 (0.4)	•				•		•	•			
G30W16	30	1.5 (0.4)	•			•	•		•	•			
G30W17	30	1.5 (0.4)	•					•	•	•			
G30W18	30	1.5 (0.4)	•			•		•	•	•			
G30C21	30	1.5 (0.4)		•			•			•			
G30C22	30	1.5 (0.4)		•		•	•			•			
G30C23	30	1.5 (0.4)		•			•				•		
G30C27	30	1.5 (0.4)		•			•		•		•		
G30C25	30	1.5 (0.4)		•			•		•	•			
G30C26	30	1.5 (0.4)		•		•	•		•	•			
G30C29	30	1.5 (0.4)		•				•		•			
G30C30	30	1.5 (0.4)		•		•		•		•			
G30C31	30	1.5 (0.4)		•				•			•		
G30C35	30	1.5 (0.4)		•				•	•		•		
G30C33	30	1.5 (0.4)		•				•	•	•			
G30C34	30	1.5 (0.4)		•		•		•	•	•			
G30T03	30	1.5 (0.4)			•		•			•			
G30T04	30	1.5 (0.4)			•	•	•			•			
G30T05	30	1.5 (0.4)			•		•		•	•			
G30T06	30	1.5 (0.4)			•	•	•		•	•			
G30T09	30	1.5 (0.4)			•		•				•		
G30T07	30	1.5 (0.4)			•			•		•			
G30T08	30	1.5 (0.4)		•	•		•			•			
G30T11	30	1.5 (0.4)			•		•	•	•	•			
G30T12	30	1.5 (0.4)			•	•		•	•	•			
<b>Merkur 30:1 - 4.5 lpm (1.2 gpm)</b>													
G30W73	30	4.5 (1.2)	•				•		•	•			
G30W74	30	4.5 (1.2)	•			•	•		•	•			
G30W75	30	4.5 (1.2)	•					•	•	•			
G30W76	30	4.5 (1.2)	•			•		•	•	•			
G30W79	30	4.5 (1.2)	•				•		•	•		•	120
G30W80	30	4.5 (1.2)	•			•	•		•	•		•	120
G30C65	30	4.5 (1.2)		•			•				•		
G30C67	30	4.5 (1.2)		•			•		•	•			
G30C68	30	4.5 (1.2)		•		•	•		•	•			
G30C71	30	4.5 (1.2)		•				•			•		
G30C73	30	4.5 (1.2)		•				•	•	•			
G30C74	30	4.5 (1.2)		•		•		•	•	•			
G30C77	30	4.5 (1.2)		•			•		•	•		•	120
G30C78	30	4.5 (1.2)		•		•	•		•	•		•	120
<b>Merkur 36:1 - 6.0 lpm (1.6 gpm)</b>													
G36W13	36	6.0 (1.6)	•				•		•	•			
G36W14	36	6.0 (1.6)	•			•	•		•	•			
G36W15	36	6.0 (1.6)	•					•	•	•			
G36W16	36	6.0 (1.6)	•			•		•	•	•			
G36C09	36	6.0 (1.6)		•			•		•	•			
G36C10	36	6.0 (1.6)		•		•	•		•	•			
G36C11	36	6.0 (1.6)		•				•	•	•			
G36C12	36	6.0 (1.6)		•		•		•	•	•			

\*All packages have a 7.5 m (25 ft) fluid and air hose



# Ordering Information

## Air-Assisted Packages

Merkur Assembly Part No.	Pump Ratio	Flow Rate at 60 cpm lpm (gpm)	Wall Mount	Cart Mount	DataTrak	PerformAA 50	PerformAA RAC Gun	Fluid Filter	Suction Hose
<b>Merkur 45:1 - 3.0 lpm (0.8 gpm)</b>									
G45W13	45	3.0 (0.8)	•			•		•	•
G45W14	45	3.0 (0.8)	•		•	•		•	•
G45W15	45	3.0 (0.8)	•				•	•	•
G45W16	45	3.0 (0.8)	•		•		•	•	•
G45C15	45	3.0 (0.8)		•		•		•	•
G45C16	45	3.0 (0.8)		•	•	•		•	•
G45C17	45	3.0 (0.8)		•			•	•	•
G45C18	45	3.0 (0.8)		•	•		•	•	•
<b>Merkur 48:1 - 4.5 lpm (1.2 gpm)</b>									
G48W13	48	4.5 (1.2)	•			•		•	•
G48W14	48	4.5 (1.2)	•		•	•		•	•
G48W15	48	4.5 (1.2)	•				•	•	•
G48W16	48	4.5 (1.2)	•		•		•	•	•
G48C11	48	4.5 (1.2)		•		•		•	•
G48C12	48	4.5 (1.2)		•	•	•		•	•
G48C13	48	4.5 (1.2)		•			•	•	•
G48C14	48	4.5 (1.2)		•	•		•	•	•

\*All packages have a 7.5 m (25 ft) fluid and air hose



Heated Air-Assist Cart Package

## Airless Packages

Merkur Assembly Part No.	Pump Ratio	Flow Rate at 60 cpm lpm (gpm)	Wall Mount	Cart Mount	DataTrak	XTR5+ Gun	PerformAA 50 Airless Gun	Fluid Filter	Suction Hose	Heated Package	Heater Voltage
<b>Merkur 23:1 - 6.0 lpm (1.6 gpm)</b>											
G23W07	23	6.0 (1.6)	•			•		•	•		
G23W08	23	6.0 (1.6)	•		•	•		•	•		
G23C03	23	6.0 (1.6)		•		•		•	•		
G23C04	23	6.0 (1.6)		•	•	•		•	•		
<b>Merkur 24:1 - 9.0 lpm (2.4 gpm)</b>											
G24W05	24	9.0 (2.4)	•			•		•	•		
G24W06	24	9.0 (2.4)	•		•	•		•	•		
G24C03	24	9.0 (2.4)		•		•		•	•		
G24C04	24	9.0 (2.4)		•	•	•		•	•		
<b>Merkur 28:1 - 7.5 lpm (2.0 gpm)</b>											
G28W05	28	7.5 (2.0)	•			•		•	•		
G28W06	28	7.5 (2.0)	•		•	•		•	•		
G28W07	28	7.5 (2.0)	•			•		•	•	•	120
G28W08	28	7.5 (2.0)	•		•	•		•	•	•	120
G28C03	28	7.5 (2.0)		•		•		•	•		
G28C04	28	7.5 (2.0)		•	•	•		•	•		
G28C05	28	7.5 (2.0)		•		•		•	•	•	120
G28C06	28	7.5 (2.0)		•	•	•		•	•	•	120
<b>Merkur 30:1 - 1.5 lpm (0.4 gpm)</b>											
G30W07	30	1.5 (0.4)	•			•		•	•		
G30W08	30	1.5 (0.4)	•		•	•		•	•		
G30C07	30	1.5 (0.4)		•		•		•	•		
G30C08	30	1.5 (0.4)		•	•	•		•	•		
G30C09	30	1.5 (0.4)		•		•		•	•		
G30C10	30	1.5 (0.4)		•	•	•		•	•		
<b>Merkur 30:1 - 4.5 lpm (1.2 gpm)</b>											
G30W57	30	4.5 (1.2)	•			•		•	•		
G30W58	30	4.5 (1.2)	•		•	•		•	•		
G30W59	30	4.5 (1.2)	•			•		•	•		
G30W60	30	4.5 (1.2)	•		•	•		•	•		
G30W67	30	4.5 (1.2)	•			•		•	•	•	120
G30W68	30	4.5 (1.2)	•		•	•		•	•	•	120
G30W87	30	4.5 (1.2)	•				•	•	•		
G30C55	30	4.5 (1.2)		•		•		•	•		
G30C56	30	4.5 (1.2)		•	•	•		•	•		
G30C59	30	4.5 (1.2)		•		•		•	•	•	120
G30C60	30	4.5 (1.2)		•	•	•		•	•	•	120
G30C97	30	4.5 (1.2)		•			•	•	•		
G30C99°	30	4.5 (1.2)		•			•	•	•		
<b>Merkur 45:1 - 3.0 lpm (0.8 gpm)</b>											
G45C25	45	3.0 (0.8)		•			•	•	•		
G45W21	45	3.0 (0.8)	•				•	•	•		

\*All packages have a 7.5 m (25 ft) fluid hose

°Fluid filter includes drain valve

# Ordering Information

## Electrostatic Packages

All electrostatic packages include a Pro Xp Air Assist electrostatic gun, suction hose and fluid filter

Merkur Assembly Part No.	Pump Ratio	Flow Rate at 60 cpm/lpm (gpm)	Wall Mount	Cart Mount	DataTrak	Heated Package	Heater Voltage	Pro Xp85 kV Smart	Pro Xp85 kV Standard	Pro Xp60 kV Standard
<b>Merkur 15:1 - 9.0 lpm (2.4 gpm)</b>										
G15W57	15	9.0 (2.4)	•					•		
G15W58	15	9.0 (2.4)	•		•			•		
G15C85	15	9.0 (2.4)		•				•		
G15C86	15	9.0 (2.4)		•	•			•		
<b>Merkur 18:1 - 7.5 lpm (2.0 gpm)</b>										
G18W11	18	7.5 (2.0)	•					•		
G18W12	18	7.5 (2.0)	•		•			•		
G18W13	28	7.5 (2.0)	•			•	120	•		
G18W14	28	7.5 (2.0)	•		•	•	120	•		
G18C09	18	7.5 (2.0)		•				•		
G18C10	18	7.5 (2.0)		•	•			•		
<b>Merkur 23:1 - 6.0 lpm (1.6 gpm)</b>										
G23W13	23	6.0 (1.6)	•					•		
G23W14	23	6.0 (1.6)	•		•			•		
G23C15	23	6.0 (1.6)		•				•		
G23C16	23	6.0 (1.6)		•	•			•		
<b>Merkur 24:1 - 9.0 lpm (2.4 gpm)</b>										
G24W11	24	9.0 (2.4)	•					•		
G24W12	24	9.0 (2.4)	•		•			•		
G24C13	24	9.0 (2.4)		•				•		
G24C14	24	9.0 (2.4)		•	•			•		
<b>Merkur 28:1 - 7.5 lpm (2.0 gpm)</b>										
G28W15	28	7.5 (2.0)	•					•		
G28W16	28	7.5 (2.0)	•		•			•		
G28W21	28	7.5 (2.0)	•			•	120	•		
G28W22	28	7.5 (2.0)	•		•	•	120	•		
G28C13	28	7.5 (2.0)		•				•		
G28C14	28	7.5 (2.0)		•	•			•		
G28C19	28	7.5 (2.0)		•		•	120	•		
G28C20	28	7.5 (2.0)		•	•	•	120	•		
G28C23	28	7.5 (2.0)		•						•
G28C25	28	7.5 (2.0)		•					•	
<b>Merkur 30:1 - 4.5 lpm (1.2 gpm)</b>										
G30W77	30	4.5 (1.2)	•					•		
G30W78	30	4.5 (1.2)	•		•			•		
G30W83	30	4.5 (1.2)	•			•	120	•		
G30W84	30	4.5 (1.2)	•		•	•	120	•		
G30C75	30	4.5 (1.2)		•				•		
G30C76	30	4.5 (1.2)		•	•			•		
G30C81	30	4.5 (1.2)		•		•	120	•		
G30C82	30	4.5 (1.2)		•	•	•	120	•		
G30C87	30	4.5 (1.2)		•						•
G30C89	30	4.5 (1.2)		•					•	

\*All packages have a 7.5 m (25 feet) grounded electrostatic air hose and fluid hose

## Spray Guns

Refer to the spray gun brochure for additional model numbers. All guns include tip of choice.

26B501	PerformAA 15 Spray Gun
26B503	PerformAA 15 Wood Lacquer Spray Gun
26B505	PerformAA 15 Low Viscosity Spray Gun
26B511	PerformAA 50 Spray Gun
26B518	PerformAA RAC Spray Gun
XTR521	XTR5+ Airless Spray Gun
26B520	PerformAA 50 Airless
H85M10	Pro Xp85 AA Smart Electrostatic Spray Gun
H85T10	Pro Xp85 AA Standard Electrostatic Spray Gun
H60T10	Pro Xp60 AA Standard Electrostatic Spray Gun

## Accessories

256410	<b>Hopper</b> 5 l (1.5 gal) polyethylene
243340	<b>Pail Cover with Agitator</b> Use to agitate material in a 18.9 l (5 gal) pail
222121	<b>Fluid Regulator, Stainless Steel</b> Maximum working pressure: 103 bar (10.3 MPa / 1500 psi) Regulator range: 10-28 bar (1-8.2 MPa / 150-1200 psi)
24A587	<b>Pump Outlet Fluid Filter, Stainless Steel</b> 60 mesh (250 micron), 350 bar (25 MPa / 5000 psi)
256425	<b>Fluid Filter Drain Valve, Stainless Steel</b> 350 bar (35 MPa / 5000 psi)
224458	<b>Replacement Filter Screen Element</b> 3-pack elements, 30 mesh, SST
224459	<b>Replacement Filter Screen Element</b> 3-pack elements, 60 mesh, SST
24A540	<b>Air Control Gauge Covers</b> 5 sheets of 10 covers
24B187	<b>Second AA Gun Kit</b> Includes air regulator and gauge

## DataTrak

24A575	Upgrade Kit for 200 cc and 400 cc Air Motors
24A576	Upgrade Kit for 1200 cc and 1800 cc Air Motors
24A592	Upgrade Kit for DataTrak with Cycle Count Only

## Suction Hoses

24A954	208 l (55 gal) Drum Suction Hose and Strainer, 3/4 in fluid inlet
24B598	208 l (55 gal) Drum Suction Hose and Strainer, 1 in fluid inlet
24B337	PTFE Lined Suction Hose for Cart Mount Pump, 3/4 in inlet
24B338	PTFE Lined Suction Hose for Cart Mount Pump, 1 in inlet
24J315	PTFE Lined Suction Hose for Wall Mount Pumps, 1/2 in inlet
24B424	PTFE Lined Suction Hose for Wall Mount Pump, 3/4 in inlet
24B425	PTFE Lined Suction Hose for Wall Mount Pump, 1 in inlet

## Gun Hoses

256390	7.5 m (25 ft) Air Hose
241812	7.5 m (25 ft) Fluid Hose 228 bar (22.8 MPa / 3300 psi)
24A955	15.2 m (50 ft) Bundled Air and Fluid Hose 228 bar (22.8 MPa / 3300 psi)
256389	15.2 m (50 ft) Air Hose
24B562	15.2 m (50 ft) Fluid Hose 228 bar (22.8 MPa / 3300 psi)
24A588	Hose Clips - Pack of 10

# Technical Specifications

## Merkur Technical Specifications

Pump Ratio	Merkur 10:1	Merkur 15:1	Merkur 15:1	Merkur 15:1	Merkur 18:1	Merkur 23:1	Merkur 24:1
Fluid Flow @ 60 cpm	4.5 lpm (1.2 gpm)	1.5 lpm (0.4 gpm)	3 lpm (0.8 gpm)	9 lpm (2.4 gpm)	7.5 lpm (2 gpm)	6 lpm (1.6 gpm)	9 lpm (2.4 gpm)
Volume per Cycle (cc)	75 cc (2.5 oz)	25 cc (0.8 oz)	50 cc (1.7 oz)	150 cc (5 oz)	125 cc (4 oz)	100 cc (3.4 oz)	150 cc (5 oz)
Maximum Fluid Outlet Pressure	69 bar (1000 psi)	103 bar (1500 psi)	103 bar (1500 psi)	103 bar (1500 psi)	124 bar (1800 psi)	158 bar (2300 psi)	165 bar (2400 psi)
Maximum Air Inlet Pressure	7 bar (100 psi)	7 bar (100 psi)	7 bar (100 psi)	7 bar (100 psi)	7 bar (100 psi)	7 bar (100 psi)	7 bar (100 psi)
Air Consumption @ 7 bar (0.7 MPa - 100 psi) @ 20 cpm	0.25m <sup>3</sup> /min (6 scfm)	0.17m <sup>3</sup> /min (3 scfm)	0.25m <sup>3</sup> /min (6 scfm)	0.48m <sup>3</sup> /min (17 scfm)	0.48m <sup>3</sup> /min (17 scfm)	0.48m <sup>3</sup> /min (17 scfm)	0.74m <sup>3</sup> /min (26 scfm)
Fluid Inlet Size	3/4" npt(m)	1/2" npt(m)	3/4" npt(m)	1" npt(m)	1" npt(m)	3/4" npt(m)	1" npt(m)
Fluid Outlet Size	3/8" npt(m)	3/8" npt(m)	3/8" npt(m)	3/4" npt(m)	1/2" npt(m)	3/8" npt(m)	3/4" npt(m)
Air Inlet (motor)	1/4" npt(f)	1/4" npt(f)	1/4" npt(f)	1/2" npt(f)	1/2" npt(f)	1/2" npt(f)	1/2" npt(f)

Pump Ratio	Merkur 28:1	Merkur 30:1	Merkur 30:1	Merkur 36:1	Merkur 45:1	Merkur 48:1
Fluid Flow @ 60 cpm	7.5 lpm (2 gpm)	1.5 lpm (0.4 gpm)	4.5 lpm (1.2 gpm)	6 lpm (1.6 gpm)	3 lpm (0.8 gpm)	4.5 lpm (1.2 gpm)
Volume per Cycle (cc)	125 cc (4.2 oz)	25 cc (0.8 oz)	75 cc (2.5 oz)	100 cc (3.3 oz)	50 cc (1.7 oz)	75 cc (2.5 oz)
Maximum Fluid Outlet Pressure	192 bar (2800 psi)	206 bar (3000 psi)	206 bar (3000 psi)	248 bar (3600 psi)	310 bar (4500 psi)	331 bar (4800 psi)
Maximum Air Inlet Pressure	7 bar (100 psi)	7 bar (100 psi)	7 bar (100 psi)	7 bar (100 psi)	6.2 bar (90 psi)	5.8 bar (85 psi)
Air Consumption @ 7 bar (0.7 MPa - 100 psi) @ 20 cpm	0.74m <sup>3</sup> /min (26 scfm)	0.25m <sup>3</sup> /min (6 scfm)	0.48m <sup>3</sup> /min (17 scfm)	0.74m <sup>3</sup> /min (26 scfm)	0.48m <sup>3</sup> /min (17 scfm)	0.74m <sup>3</sup> /min (26 scfm)
Fluid Inlet Size	1" npt(m)	1/2" npt(m)	3/4" npt(m)	3/4" npt(m)	3/4" npt(m)	3/4" npt(m)
Fluid Outlet Size	1/2" npt(m)	3/8" npt(m)	3/8" npt(m)	3/8" npt(m)	3/8" npt(m)	3/8" npt(m)
Air Inlet (motor)	1/2" npt(f)	1/4" npt(f)	1/2" npt(f)	1/2" npt(f)	1/2" npt(f)	1/2" npt(f)

## Instruction and Parts Manuals

312797	Merkur AA and Airless Spray Package
312798	Merkur Electrostatic Spray Package
313255	Merkur AA and Airless Heated Package
312794	Merkur Pumps
312792	Merkur Displacement Lower
312796	Merkur Air Motor



## ABOUT GRACO

Founded in 1926, Graco is a world leader in fluid handling systems and components. Graco products move, measure, control, dispense and apply a wide range of fluids and viscous materials used in vehicle lubrication, commercial and industrial settings.

The company's success is based on its unwavering commitment to technical excellence, world-class manufacturing and unparalleled customer service. Working closely with qualified distributors, Graco offers systems, products and technology that set the quality standard in a wide range of fluid handling solutions. Graco provides equipment for spray finishing, protective coating, paint circulation, lubrication, and dispensing sealants and adhesives, along with power application equipment for the contractor industry. Graco's ongoing investment in fluid management and control will continue to provide innovative solutions to a diverse global market.

## GRACO LOCATIONS

### MAILING ADDRESS

P.O. Box 1441  
Minneapolis, MN 55440-1441  
Tel: 612-623-6000  
Fax: 612-623-6777

### AMERICAS

**MINNESOTA**  
Worldwide Headquarters  
Graco Inc.  
88-11th Avenue N.E.  
Minneapolis, MN 55413

### EUROPE

**BELGIUM**  
European Distribution Center  
Graco Distribution BV  
Industrieterrein-Oude Bunders  
Slakweidestraat 31  
3630 Maasmechelen,  
Belgium  
Tel: 32 89 770 700  
Fax: 32 89 770 777

### ASIA PACIFIC

**AUSTRALIA**  
Graco Australia Pty Ltd.  
Suite 17, 2 Enterprise Drive  
Bundoora, Victoria 3083  
Australia  
Tel: 61 3 9468 8500  
Fax: 61 3 9468 8599

**CHINA**  
Graco Fluid Equipment  
(Shanghai) Co.,Ltd  
Building 7, No. 1-2,  
Wenshui Road 299  
Jing'an District  
Shanghai 200436  
P.R. China  
Tel: 86 512 6260 5711  
Fax: 86 21 6495 0077

### INDIA

Graco Hong Kong Ltd.  
India Liaison Office  
Room 432, Augusta Point  
Regus Business Centre 53  
Golf Course Road  
Gurgaon, Haryana  
India 122001  
Tel: 91 124 435 4208  
Fax: 91 124 435 4001

### JAPAN

Graco K.K.  
1-27-12 Hayabuchi  
Tsuzuki-ku  
Yokohama City, Japan 2240025  
Tel: 81 45 593 7300  
Fax: 81 45 593 7301

### KOREA

Graco Korea Inc.  
38, Samsung 1-ro 1-gil  
Hwaseong-si,  
Gyeonggi-do, 18449  
Republic of Korea  
Tel: 82 31 8015 0961  
Fax: 82 31 613 9801

All written and visual data contained in this document are based on the latest product information available at the time of publication. Graco reserves the right to make changes at any time without notice.

Graco is certified ISO 9001.



Europe  
+32 89 770 700  
FAX +32 89 770 777  
WWW.GRACO.COM

©2009-2015 Graco Distribution BV 340004ENEU Rev. G 08/22 Printed in Europe.  
All other brand names or marks are used for identification purposes and are trademarks of their respective owners.  
For more information on Graco's intellectual property, see [www.graco.com/patent](http://www.graco.com/patent) or [www.graco.com/trademarks](http://www.graco.com/trademarks).