

Contractor[®] and FTx[®] Spray Guns

311861R

EN

For the application of architectural paints and coatings. For professional use only.

3600 psi (24.8 MPa, 248 bar) Maximum Working Pressure

See page 3 for additional model information.



Important Safety Instructions

Read all warnings and instructions in this manual. Refer to your sprayer instruction manual for Pressure Relief, priming and spray instructions. Save these instructions.

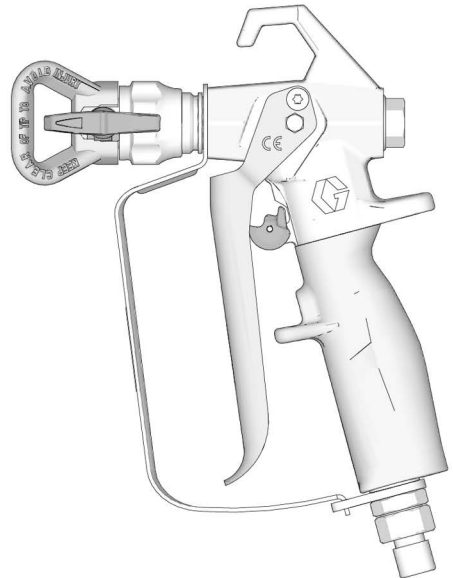
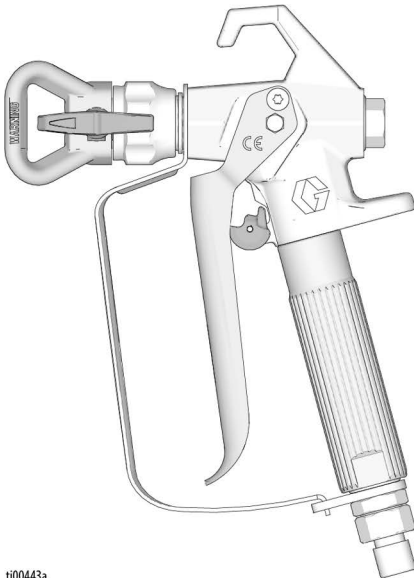


Important Medical Information

Read the medical alert card provided with the gun. It contains injection injury treatment information for a doctor. Keep it with you when operating the equipment.

FTx Gun

Contractor Gun



ti00443a

UK
CA



II 2 G EX h IIA T6 GB



PROVEN QUALITY. LEADING TECHNOLOGY.

Contents

Models	3
Warnings	4
Grounding	6
Setup	7
Pressure Relief Procedure	7
Gun Trigger Lock	7
Install Tip and Tip Guard on Gun	8
Connect Gun to Sprayer	8
Operation	9
Aligning Spray	9
Spraying	9
Clear Spray Tip Clog	9
Cleanup	9
Parts	10
Tip and Guard	11
Maintenance	12
Cleaning/Replacing Filter	12
Repair/Replacement	13
Replacing Needle	13
Aligning Handle	13
Technical Specifications	14
California Proposition 65	14
Graco Standard Warranty	15
Graco Information	16

Models

Contractor Gun Models				
Part No.	Tip(s)	Guard	Filter	Language Manuals Included
288420	LTX517	RAC X	60 Mesh	English, Spanish, French
288421	517 RAC5	RAC 5	60 Mesh	English, Spanish, French
288425	LTX517	RAC X	60 Mesh	English, Spanish, French
288475	LP517	RAC X	60 Mesh	English
288477	None	RAC 5	60 Mesh	English
288478	FFLP210	RAC X	100 Mesh	English, Spanish, French
826085	517 RAC 5 & 413 RAC 5	RAC 5	60 Mesh	English, Spanish, French
288009	LTX517	RAC X	60 Mesh	English, Spanish, French
262114	None	RAC X	60 Mesh	English
17C926	LTX517	RAC X	60 Mesh	English, Chinese, Japanese, Korean
18H150	LP517	RAC X	60 Mesh	English, Spanish, French
FTx Gun Models				
288427	LP517	RAC X	60 Mesh	English, Chinese, Japanese, Korean
288428	None	RAC 5	60 Mesh	English
288429	515 RAC 5	RAC 5	60 Mesh	English, Spanish, French
288430	LTX515	RAC X	60 Mesh	English, Spanish, French
288431	515 RAC 5	RAC 5	60 Mesh	English, Spanish, French
288436	515 RAC 5	RAC 5	60 Mesh	English, Chinese, Japanese, Korean
288438	LP517	RAC X	60 Mesh & 100 Mesh	English, Spanish, French
826086	515 RAC 5 & 413 RAC 5	RAC 5	60 Mesh	English, Spanish, French
288008	LTX515	RAC X	60 Mesh	English
262116	None	RAC X	60 Mesh	English
826256	LTX515 & LTX413	RAC X	60 Mesh	English, Spanish, French
20A479	LP515	RAC X	60 Mesh	English, Spanish, French
826282	LP515 & LP313	RAC X	60 Mesh	English, Spanish, French
18H152	LP515	RAC X	60 Mesh	English, Chinese, Japanese, Korean

Warnings

The following warnings are for the setup, use, grounding, maintenance, and repair of this equipment. The exclamation point symbol alerts you to a general warning and the hazard symbols refer to procedure-specific risks. When these symbols appear in the body of this manual or on warning labels, refer back to these Warnings. Product-specific hazard symbols and warnings not covered in this section may appear throughout the body of this manual where applicable.

WARNING



SKIN INJECTION HAZARD

High-pressure fluid from gun, hose leaks, or ruptured components will pierce skin. This may look like just a cut, but it is a serious injury that can result in amputation. **Get immediate surgical treatment.**



- Do not spray without tip guard and trigger guard installed.
- Engage trigger lock when not spraying.
- Do not point gun at anyone or at any part of the body.
- Do not put your hand over the spray tip.
- Do not stop or deflect leaks with your hand, body, glove, or rag.
- Follow the **Pressure Relief Procedure** when you stop spraying and before cleaning, checking, or servicing equipment.
- Tighten all fluid connections before operating the equipment.
- Check hoses and couplings daily. Replace worn or damaged parts immediately.



FIRE AND EXPLOSION HAZARD

Flammable fumes, such as solvent and paint fumes, in **work area** can ignite or explode. Paint or solvent flowing through the equipment can cause static sparking. To help prevent fire and explosion:



- Use equipment only in well ventilated area.
- Eliminate all ignition sources; such as pilot lights, cigarettes, portable electric lamps, and plastic drop cloths (potential static sparking).
- Ground all equipment in the work area. See **Grounding** instructions.
- Never spray or flush solvent at high pressure.
- Keep work area free of debris, including solvent, rags and gasoline.
- Do not plug or unplug power cords, or turn power or light switches on or off when flammable fumes are present.
- Use only grounded hoses.
- Hold gun firmly to side of grounded pail when triggering into pail. Do not use pail liners unless they are anti-static or conductive.
- **Stop operation immediately** if static sparking occurs or you feel a shock. Do not use equipment until you identify and correct the problem.
- Keep a working fire extinguisher in the work area.

WARNING



EQUIPMENT MISUSE HAZARD

Misuse can cause death or serious injury.

- Always wear appropriate gloves, eye protection, and a respirator or mask when painting.
- Do not operate or spray near children. Keep children away from equipment at all times.
- Do not overreach or stand on an unstable support. Keep effective footing and balance at all times.
- Stay alert and watch what you are doing.
- Do not operate the unit when fatigued or under the influence of drugs or alcohol.
- Do not kink or over-bend the hose.
- Do not expose the hose to temperatures or to pressures in excess of those specified by Graco.
- Do not use the hose as a strength member to pull or lift the equipment.
- Do not spray with a hose shorter than 25 feet.
- Do not alter or modify equipment. Alterations or modifications may void agency approvals and create safety hazards.
- Make sure all equipment is rated and approved for the environment in which you are using it.



PRESSURIZED ALUMINUM PARTS HAZARD

Use of fluids that are incompatible with aluminum in pressurized equipment can cause serious chemical reaction and equipment rupture. Failure to follow this warning can result in death, serious injury, or property damage.

- Do not use 1,1,1-trichloroethane, methylene chloride, other halogenated hydrocarbon solvents or fluids containing such solvents.
- Do not use chlorine bleach.
- Many other fluids may contain chemicals that can react with aluminum. Contact your material supplier for compatibility.





PERSONAL PROTECTIVE EQUIPMENT

Wear appropriate protective equipment when in the work area to help prevent serious injury, including eye injury, hearing loss, inhalation of toxic fumes, and burns. This protective equipment includes but is not limited to:

- Protective eyewear, and hearing protection.
- Respirators, protective clothing, and gloves as recommended by the fluid and solvent manufacturer.

Grounding

Grounding

				
<p>The equipment must be grounded to reduce the risk of static sparking. Static sparking can cause fumes to ignite or explode. Grounding provides an escape wire for the electric current.</p>				

Spray Gun: ground through connection to a properly grounded fluid hose and pump.

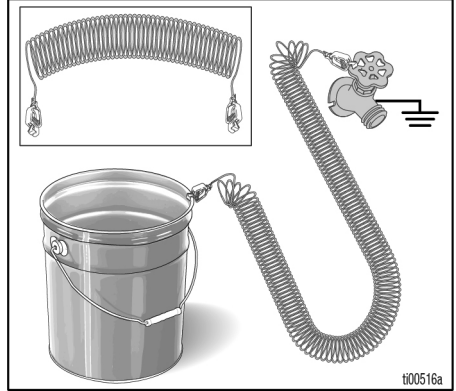
Fluid Supply Container: follow local code.

Solvent Pails Used when Flushing: follow local code. Use only conductive metal pails, placed on a grounded surface. Do not place the pail on a nonconductive surface, such as paper or cardboard, which interrupts grounding continuity.

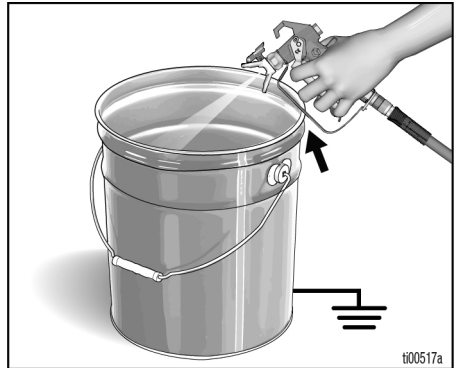


Fluid Hose: use only electrically conductive hoses with a maximum of 500 ft. (150 m) combined hose length to ensure grounding continuity. Check electrical resistances of hoses. If total resistance to ground exceeds 29 megohms, replace hose immediately.

Ground Metal Pails: Connect a ground wire to the pail by clamping one end to the pail and the other end to a ground such as a water pipe.



Maintain Grounding Continuity: When flushing or relieving pressure, hold a metal part of the gun firmly against the side of a grounded metal pail, then trigger the gun.

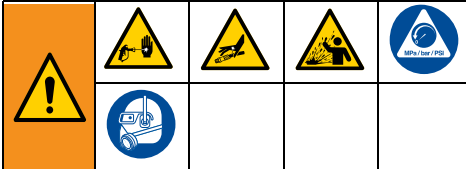


Setup

Pressure Relief Procedure

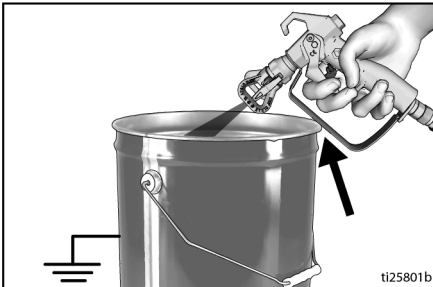


Follow the Pressure Relief Procedure whenever you see this symbol.



This equipment stays pressurized until pressure is manually relieved. To help prevent serious injury from pressurized fluid, such as skin injection or splashed fluid, follow the **Pressure Relief Procedure** whenever sprayer is stopped and before sprayer is cleaned or checked, and before equipment is serviced.

1. Turn sprayer **OFF**.
2. Engage the trigger lock. Always engage the trigger lock when sprayer is stopped to prevent the gun from being triggered accidentally.
3. Turn pressure control knob to lowest setting.
4. Put drain tube into a waste pail and turn Prime/Spray valve in PRIME position (drain) to relieve pressure.
5. Hold the gun firmly to a pail. Point gun into pail. Disengage the trigger lock and trigger the gun to relieve pressure.

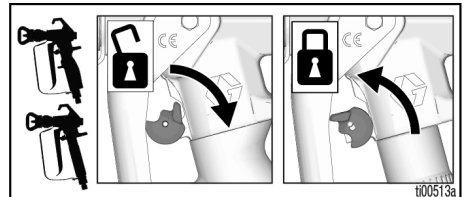


6. Engage the trigger lock.
7. If you suspect the spray tip or hose is clogged or that pressure has not been fully relieved:
 - a. **VERY SLOWLY** loosen the tip guard retaining nut or the hose end coupling to relieve pressure gradually.
 - b. Loosen the nut or coupling completely.
 - c. Clear airless hose or spray tip obstruction. See **Clear Spray Tip Clog**, page 9.

Gun Trigger Lock



To prevent injury when the gun is not in use, always engage the gun's trigger lock if unit is being shut down or left unattended.

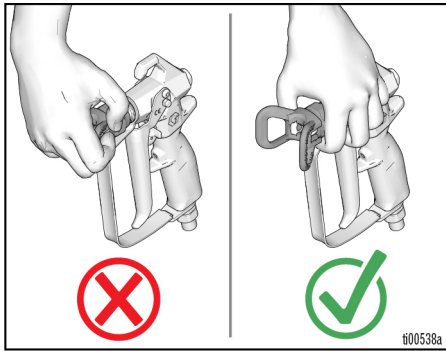


Setup

Install Tip and Tip Guard on Gun

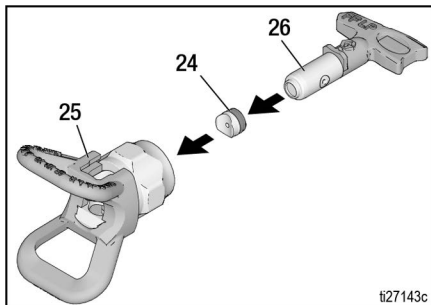


To avoid serious injury from skin injection do not put your hand in front of the spray tip when installing or removing the spray tip and tip guard.

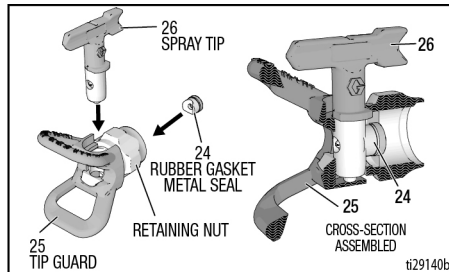


To prevent spray tip leaks make certain spray tip and tip guard are installed properly.

1. Relieve pressure. Follow the **Pressure Relief Procedure**, page 7.
2. Engage trigger lock (15).
3. Use spray tip (26) to align gasket and seal (24) in the tip guard (25).



4. Insert tip (26) in guard (25).
5. Verify spray tip and tip guard parts are assembled in the order shown.



6. Install guard (25) over end of gun (1). Hand tighten retaining nut.

Connect Gun to Sprayer

Make sure sprayer is turned off and unplugged from power source. Refer to your sprayer instruction manual for priming and spray instructions.

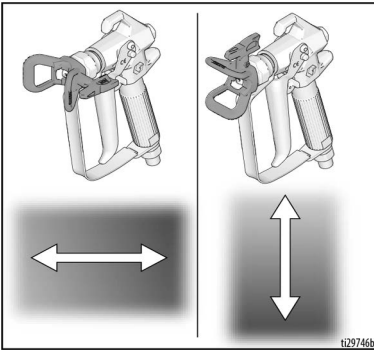
1. Attach supply hose to sprayer fluid outlet.
2. Attach other end of supply hose to gun swivel (7). Use two wrenches (one on the swivel (7) and one on the hose), to tighten all connections securely.
3. Refer to your sprayer instruction manual for priming instructions.

Operation



Aligning Spray

1. Relieve pressure. Follow the **Pressure Relief Procedure**, page 7.
2. Engage trigger lock (2).
3. Loosen guard retaining nut.
4. Align guard (25) horizontally to spray a horizontal pattern or vertically to spray a vertical pattern.



5. Hand tighten guard (25) retaining nut when you have adjusted to desired setting.

Spraying

1. Disengage trigger lock (2).
2. Be sure the arrow shaped tip (26) faces forward (spray).
3. Hold gun perpendicular and approximately 12 inches (304 mm) from surface. Move gun first, then pull gun trigger (13) to spray a test pattern.
4. Slowly increase pump pressure until coverage is uniform and even (see sprayer instruction manual for additional information).

Clear Spray Tip Clog

In the event that particles or debris clog the spray tip, this gun is designed with a reversible spray tip that quickly and easily clears the particles without disassembling the sprayer.

1. Engage trigger lock (2).
2. Rotate spray tip (26) to unclog position. Disengage trigger lock (2).
3. Trigger gun at waste area to clear clog.

NOTE: If spray tip (26) is difficult to rotate when turning to the unclog position, perform **Pressure Relief Procedure**, page 7, then turn Prime/Spray valve to spray position and repeat step 1.

4. Engage trigger lock (2).
5. Rotate spray tip (26) back to spray position.
6. Disengage trigger lock (2) and continue spraying.

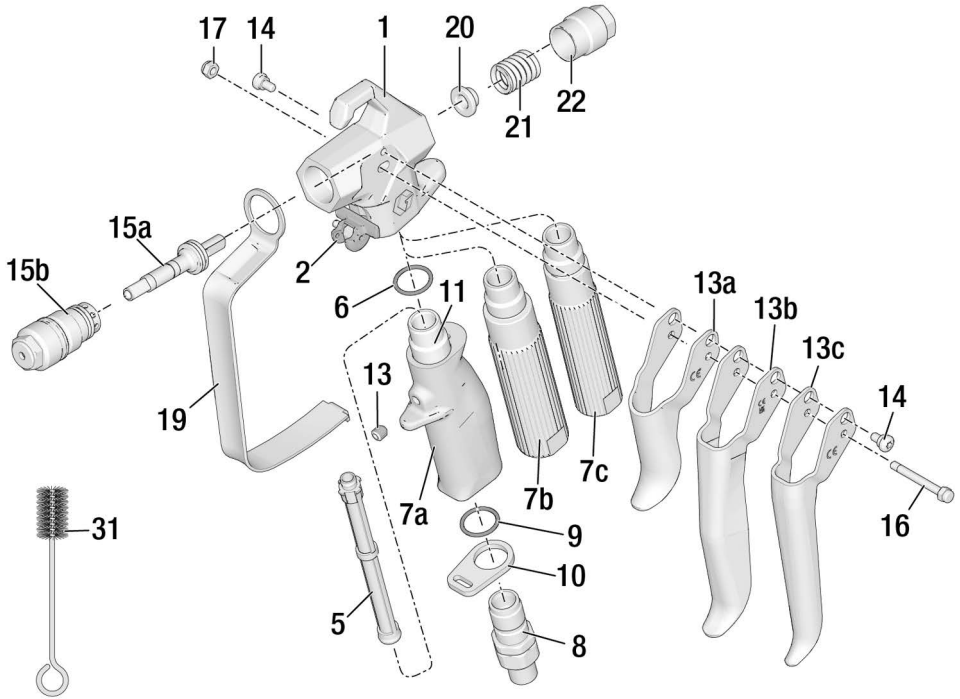
Cleanup

Flush gun, clean filter (see **Cleaning/Replacing Filter** on page 12) and clean paint off the outside after each work shift. Store in a dry location. Refer to your sprayer manual for flushing instructions. Do not leave the gun or any parts in water or cleaning solvents.

NOTICE

To prevent damage to the gun parts, do not leave the gun or any parts, except the tip, in water or cleaning solvents. The gun is **NOT** compatible with cleaning solvents that contain methylene chloride.

Parts



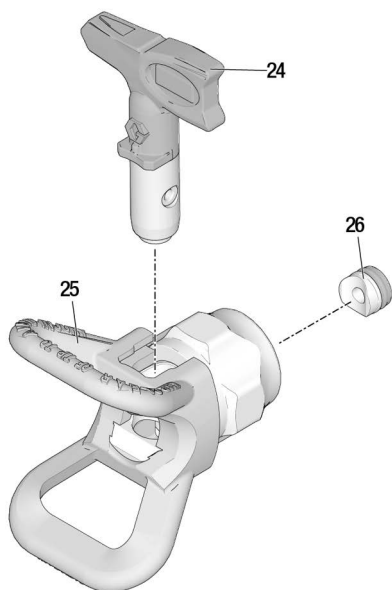
ti00528a

Ref. Part	Description	Qty	Ref. Part	Description	Qty
1	288812 HOUSING, assy., Contractor	1	13b	15J768 TRIGGER, Contractor Gun, 4-finger	1
	289914 HOUSING, assy., FTX	1	13c	15J769 TRIGGER, FTX Gun, 4-finger	1
5	287032 FILTER, 60 mesh	1	14	117602 SCREW, shoulder, pan hd	2
	287033 FILTER, 100 mesh	1	15	288488 KIT, needle, repair	1
	287034 FILTER, 60 and 100 mesh combo	1	15a	NEEDLE, assembly	1
6	120777 PACKING, O-ring	1	15b	DIFFUSER, assembly	1
7	HANDLE	1	16	15J696 PIN, trigger	1
7a	15K282 Contractor Gun	1	17	105334 NUT, lock, hex	1
7b	15J735 FTX Gun	1	19	15J464 GUARD, trigger	1
7c	15J736 FTX-A Gun	1	20	15J528 GUIDE, spring	1
8	288811 SWIVEL, assy, gun	1	21	121093 SPRING, compression	1
9	120733 O-RING, urethane, clear	1	22	15B549 NUT, end	1
10	15J706 RETAINER, guard, trigger	1	31	119799 BRUSH, cleaning	1
11	15J698 TUBE, handle, Contractor Gun	1	▲	179960 LABEL, safety, warning, med alert (not shown)	1
12	120834 SCREW, set, Contractor Gun	1			
13a	15J409 TRIGGER, Contractor/FTX Gun, 2-finger	1			

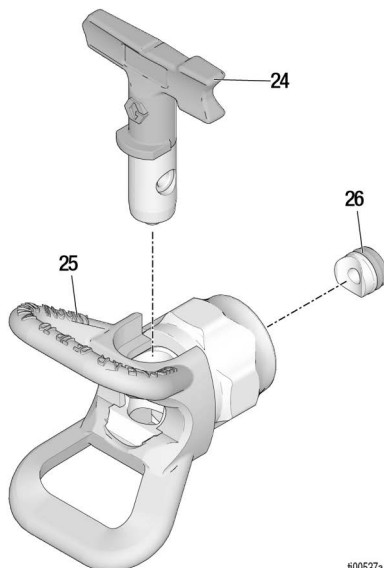
▲ Replacement safety labels, tags, and cards are available at no cost

Tip and Guard

RAC X



RAC 5



000537a

Ref.Part	Description	Qty
24	246453 OneSeal™, RAC X (5-pack)	1
	243281 OneSeal, RAC 5 (5-pack)	1
	17P501 OneSeal, FFLP (5-pack)	1
25	246215 GUARD, RAC X	1
	243161 GUARD, RAC 5	1
26	LTX515 TIP, spray 515, RAC X	1
	LTX517 TIP, spray 517, RAC X	1
	286515 TIP, spray 515, RAC 5	1
	286517 TIP, 517, RAC 5	1
	PAA517 TIP, spray, latex, RAC X (517), Europe	1
	PAA515 TIP, spray, latex, RAC X (515), Europe	1

Ref.Part	Description	Qty
	262517 TIP, spray, 517, RAC 5, Europe	1
	LP515 TIP, spray, LP515, RAC X	1
	LP517 TIP, spray, LP 517, RAC X	1
24	246453 OneSeal, RAC X (5-pack)	1
	243281 OneSeal, RAC 5 (5-pack)	1
	17P501 OneSeal, FFLP (5-pack)	1
25	246215 GUARD, RAC X	1

† For a list of all available tip sizes, talk to your local distributor or visit www.graco.com.

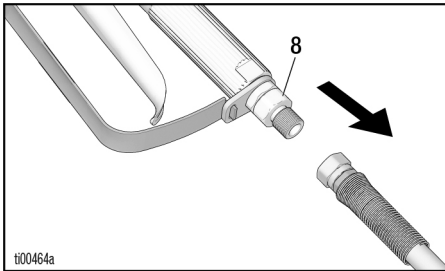
Maintenance

				
<p>To avoid serious injury from skin injection, follow the Pressure Relief Procedure before performing any maintenance on the gun.</p>				

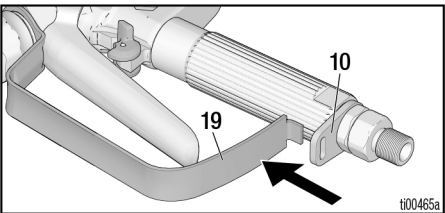
Cleaning/Replacing Filter

A plugged filter reduces gun performance. Clean filter after each use.

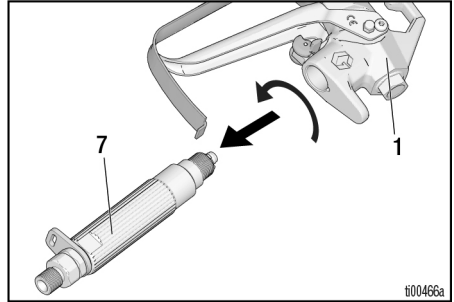
1. Relieve pressure. Follow the **Pressure Relief Procedure**, page 7.
2. Disconnect fluid hose from gun at swivel (8).



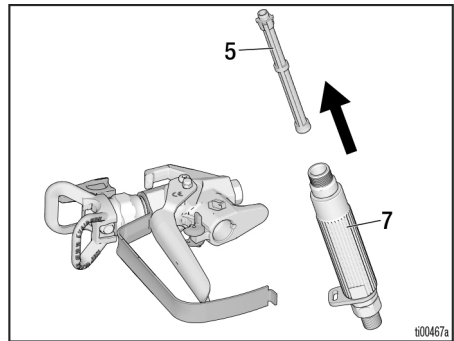
3. Disconnect trigger guard (19) from gun retainer (10).



4. Unscrew handle (7) from gun (1).



5. Remove filter (5) through top of handle (7).



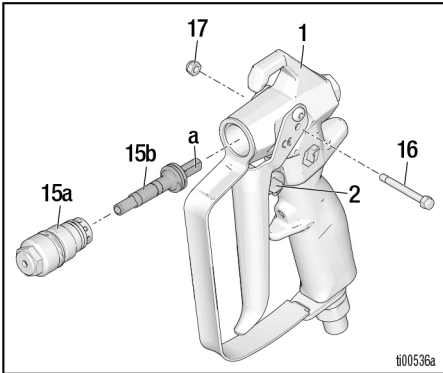
6. Inspect filter (5) for damage to the filter mesh. Replace the filter if the filter mesh has holes or voids.
7. Clean filter (5). Use a soft brush to loosen and remove excess debris.
8. Inspect handle bore (7) for damage. Replace the handle bore if it is corroded or pitted and check material for compatibility with aluminum.
9. Insert clean filter (5) into handle (7).
10. Reattach handle (7) to gun (1). Tighten securely.
11. Reconnect trigger guard (19) to guard retainer (10).
12. Engage trigger lock.

Repair/Replacement



Replacing Needle

1. Relieve pressure. Follow the **Pressure Relief Procedure**, page 7.
2. Engage trigger lock (2).
3. Remove tip (26) and guard (25) from gun (1).



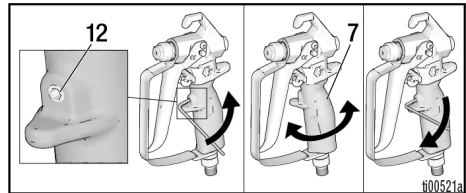
4. Remove nut (17) and trigger pin (16).
5. Unscrew diffuser (15a) from front of gun (1).
6. Remove needle assembly (15b) through front of gun (1).
7. Use a soft brush to clean out internal passages of gun.
8. Grease o-rings of new needle using a non-silicon grease.

9. Guide new needle (15b) through front of gun (1) making sure the flat sides (a) of the needle assembly face the sides of gun housing.
10. Install diffuser (15a). Torque diffuser to 26-30 ft-lbs (35.25 - 43.38 N•m).
11. Replace pin (16) and nut (17).

Aligning Handle

If when tightened securely, handle no longer matches up with housing, realign handle.

1. Relieve pressure. Follow the **Pressure Relief Procedure**, page 7.
2. Engage trigger lock (2).
3. Tighten handle (7) securely.
4. Loosen set screw (12) using a 1/8" allen wrench.
5. Rotate handle (7) so it is aligned with housing (1).
6. Tighten set screw (12) securely.




Technical Specifications

Technical Specifications

Contractor and FTx Gun		
Maximum working pressure	3600 psi (248 bar, 24.8 MPa)	
Fluid orifice size	0.125 in. (3.18 mm)	
Inlet	1/4 NPSM swivel	
Maximum material temperature	120° F (49° C)	
Wetted Parts	Stainless steel, polyurethane, nylon, aluminum, tungsten carbide, solvent resistant elastomer, brass	
Weight		
Gun	Without Tip and Guard	With Tip and Guard
Contractor	19.2 oz (544 g)	21.9 oz (621 g)
FTx	18.4 oz (523 g)	21.1 oz (598 g)
Noise Level*		
Sound power	87 dBa	
Sound pressure	78 dBa	
* Measured at 3.1 feet (1m) while spraying water-based paint, specific gravity 1.36, through a 5/17 tip at 3000 psi (207 bar, 20.7 MPa) per ISO 3744.		

California Proposition 65

CALIFORNIA RESIDENTS

 **WARNING:** Cancer and reproductive harm –
www.P65warnings.ca.gov.

Translated Manuals

312098	Spanish	312278	Latvian
312099	French	312279	Lithuanian
312265	Dutch	312280	Polish
312267	Italian	312281	Hungarian
312268	Turkish	312282	Czech
312269	Greek	312283	Slovakian
312270	Croatian	312284	Slovenian
312271	Portuguese	312285	Romanian
312272	Danish	312286	Bulgarian
312273	Finnish	312287	Chinese
312274	Swedish	312288	Japanese
312275	Norwegian	312289	Korean
312276	Russian	312266	German
312277	Estonian		

Translated manuals can be requested through a distributor or at www.graco.com.

Graco Standard Warranty

Graco warrants all equipment referenced in this document which is manufactured by Graco and bearing its name to be free from defects in material and workmanship on the date of sale to the original purchaser for use. With the exception of any special, extended, or limited warranty published by Graco, Graco will, for a period of twelve months from the date of sale, repair or replace any part of the equipment determined by Graco to be defective. This warranty applies only when the equipment is installed, operated and maintained in accordance with Graco's written recommendations.

This warranty does not cover, and Graco shall not be liable for general wear and tear, or any malfunction, damage or wear caused by faulty installation, misapplication, abrasion, corrosion, inadequate or improper maintenance, negligence, accident, tampering, or substitution of non-Graco component parts. Nor shall Graco be liable for malfunction, damage or wear caused by the incompatibility of Graco equipment with structures, accessories, equipment or materials not supplied by Graco, or the improper design, manufacture, installation, operation or maintenance of structures, accessories, equipment or materials not supplied by Graco.

This warranty is conditioned upon the prepaid return of the equipment claimed to be defective to an authorized Graco distributor for verification of the claimed defect. If the claimed defect is verified, Graco will repair or replace free of charge any defective parts. The equipment will be returned to the original purchaser transportation prepaid. If inspection of the equipment does not disclose any defect in material or workmanship, repairs will be made at a reasonable charge, which charges may include the costs of parts, labor, and transportation.

THIS WARRANTY IS EXCLUSIVE, AND IS IN LIEU OF ANY OTHER WARRANTIES, EXPRESS OR IMPLIED, INCLUDING BUT NOT LIMITED TO WARRANTY OF MERCHANTABILITY OR WARRANTY OF FITNESS FOR A PARTICULAR PURPOSE.

Graco's sole obligation and buyer's sole remedy for any breach of warranty shall be as set forth above. The buyer agrees that no other remedy (including, but not limited to, incidental or consequential damages for lost profits, lost sales, injury to person or property, or any other incidental or consequential loss) shall be available. Any action for breach of warranty must be brought within two (2) years of the date of sale.

GRACO MAKES NO WARRANTY, AND DISCLAIMS ALL IMPLIED WARRANTIES OF MERCHANTABILITY AND FITNESS FOR A PARTICULAR PURPOSE, IN CONNECTION WITH ACCESSORIES, EQUIPMENT, MATERIALS OR COMPONENTS SOLD BUT NOT MANUFACTURED BY GRACO. These items sold, but not manufactured by Graco (such as electric motors, switches, hose, etc.), are subject to the warranty, if any, of their manufacturer. Graco will provide purchaser with reasonable assistance in making any claim for breach of these warranties.

In no event will Graco be liable for indirect, incidental, special or consequential damages resulting from Graco supplying equipment hereunder, or the furnishing, performance, or use of any products or other goods sold hereto, whether due to a breach of contract, breach of warranty, the negligence of Graco, or otherwise.

FOR GRACO CANADA CUSTOMERS

The Parties acknowledge that they have required that the present document, as well as all documents, notices and legal proceedings entered into, given or instituted pursuant hereto or relating directly or indirectly hereto, be drawn up in English. Les parties reconnaissent avoir convenu que la rédaction du présente document sera en Anglais, ainsi que tous documents, avis et procédures judiciaires exécutés, donnés ou intentés, à la suite de ou en rapport, directement ou indirectement, avec les procédures concernées.

Graco Information

For the latest information about Graco products, visit www.graco.com.

For patent information, see www.graco.com/patents.

TO PLACE AN ORDER, contact your Graco distributor or call 1-800-690-2894 to identify the nearest distributor.

All written and visual data contained in this document reflects the latest product information available at the time of publication.

Graco reserves the right to make changes at any time without notice.

Original instructions. This manual contains English. MM 311861

Graco Headquarters: Minneapolis

International Offices: Belgium, China, Japan, Korea

GRACO INC. AND SUBSIDIARIES • P.O. BOX 1441 • MINNEAPOLIS MN 55440-1441 • USA

Copyright 2007, Graco Inc. All Graco manufacturing locations are registered to ISO 9001.

www.graco.com

Revision R, May 2023