

# 24P947 RS™ Gun Auto Kit

332134A

EN

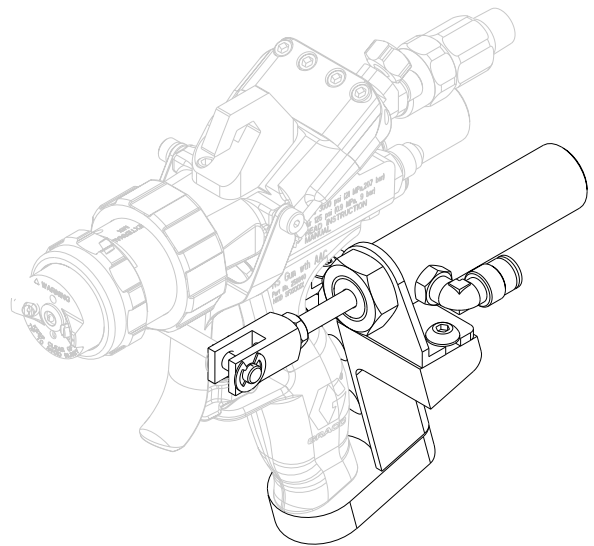
---

**For use with the RS Gel Coat Gun. Allows conversion of a standard RS Gel Coat Gun to an auto robotic version.**



### **Important Safety Instructions**

Read all warnings and instructions in this manual and the RS Gun and Cutter manual. Save these instructions.



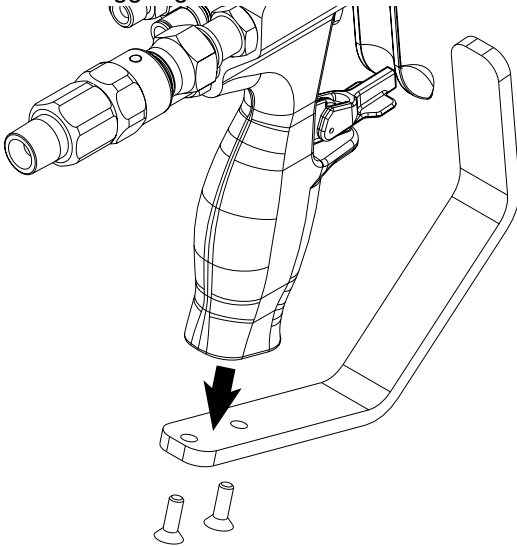
# Installation



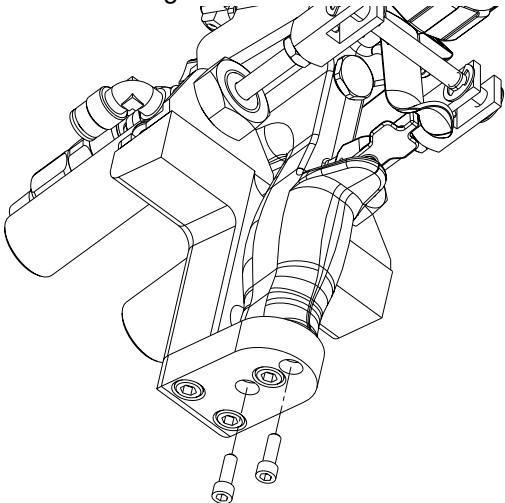
## NOTICE

To avoid personal injury, following all shutdown and pressure relief procedures of the machine to allow the installation of the kit.

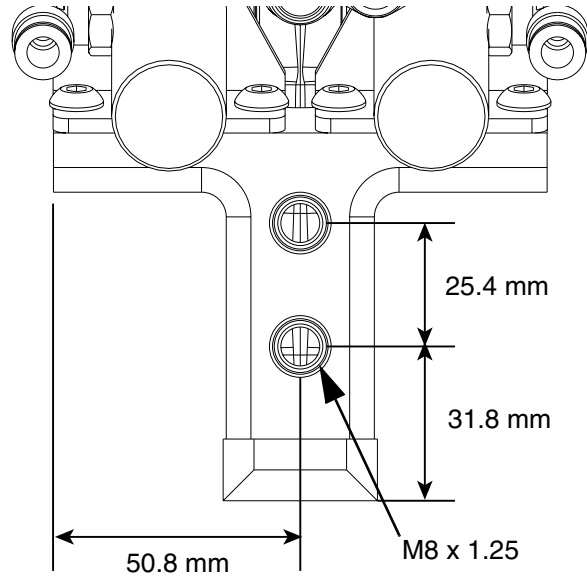
1. Remove trigger guard.



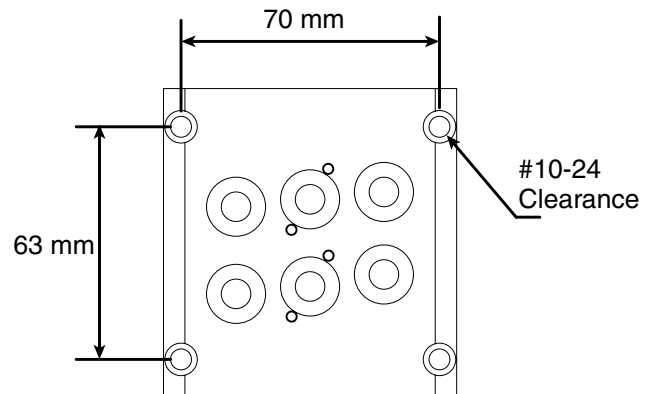
2. Mount the RS gun to the RS auto bracket. Use medium strength thread locker on all fasteners.



3. Mount the RS auto bracket.

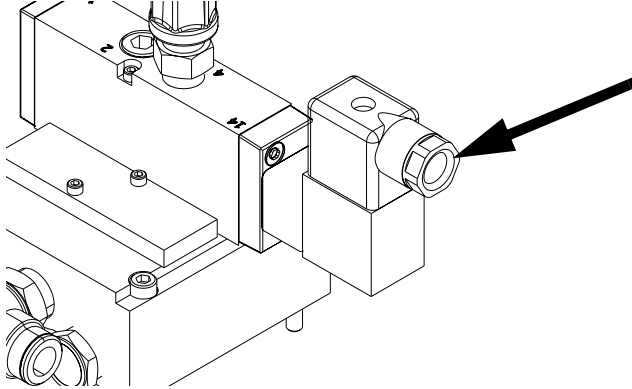


4. Mount the solenoid manifold in a desired location.



5. Supply the gun solenoid with a 24 VDC signal.

**NOTE:** The 24 VDC will be used to trigger the gun.

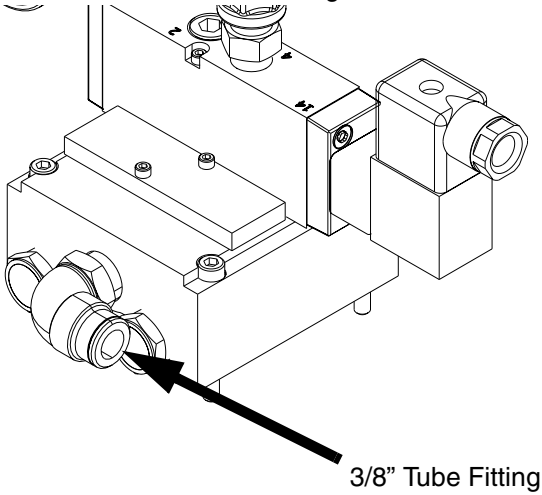


7. Connect the air lines from the gun manifold to the air cylinders. Refer to **Parts**, page 4, for pneumatic connections.

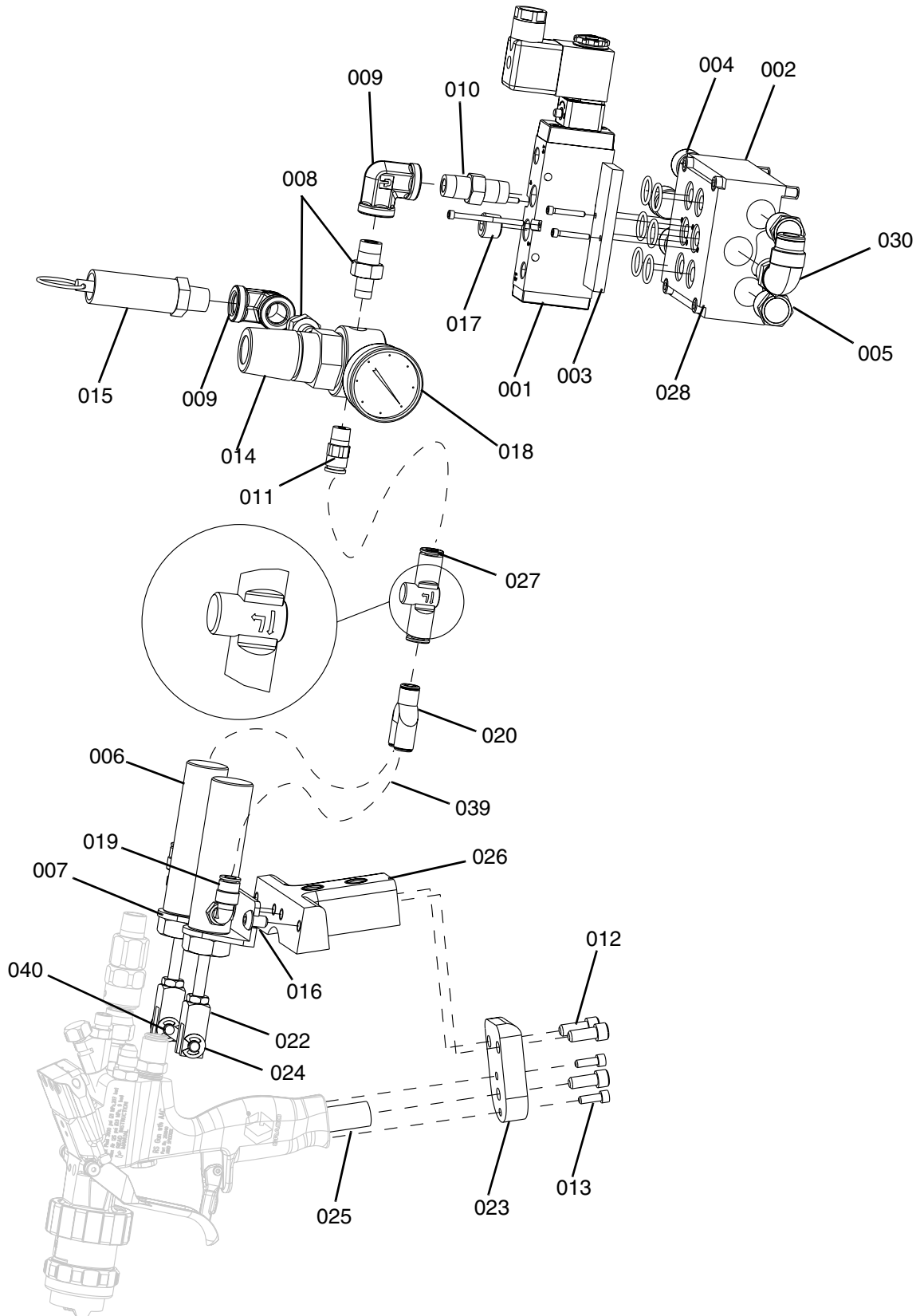
**NOTICE**  
To avoid damage, route all air lines so they do not become pinched during normal machine operation.

**NOTICE**  
The regulator is factory preset to 40 psi (280 kPa, 2.8 bar) and should not require adjustment. Exceeding this value may damage the RS gun.

6. Connect an air source to the gun manifold.



# Parts



Ref	Part	Description	Quantity
			24P947, KIT, mounting, auto, rs gun
001	124806	VALVE, solenoid, atex	1
002	124807	MANIFOLD, 2 station	1
003	125007	PLATE, blanking	1
004	11021-24	PLUG, pipe, soc, 3/8, zp	3
005	111881	MUFFLER	2
006	23581-00	CYLINDER, bimba, 7/8bore	2
007	23582-00	BRACKET, mtg, bimba	2
008	94/0499/96	ADAPTER, hex, 1/4nptx1/8npt, mxm, brs	2
009	94/0500/96	FITTING, elbow, 1/4npt, f, 90deg, brs	2
010	94/0507/96	FITTING, nipple, hex, 1/4npt, brs	1
011	94/0702/96	FITTING, 1/4tubex1/8npt, m, brs	1
012	101682	SCREW, cap, sch	3
013	103808	SCREW, cap, sch	2
014	104815	REGULATOR, air	1
015	110065	VALVE, safety, 60 psi	1
016	513798	SCREW, buthd.sck 1/4	4
017	100721	PLUG, pipe	1
018	108190	GAUGE, pressure, air	1
019	112698	ELBOW, male, swivel	2
020	115287	FITTING, y tube	1
021	PR2379	PERFORMANCE, requirement	1
022	125604	CLEVIS, rod, cylinder, air	2
023	U60457	PLATE, mtg, rs, auto	1
024	U60465	PIN, trigger, rs gun, auto	1
025	U60466	POST, mount, rs gun, auto	1
026	U60467	BASE, assy, cylinder, air, rs, auto	1
027	94/1202/99	VALVE, qck exh, 1/4tubing, in-line	1
028	C19986	SCREW, cap, socket, hd	4
030	94/0697/96	SWIVEL, el, 3/8tubex3/8npt, fxm, 90	1
039	125473	TUBE, pneumatic, polyurethane	N/A
040	61/0008/89	TUBE, .250id, nylon	N/A

# Graco Standard Warranty

Graco warrants all equipment referenced in this document which is manufactured by Graco and bearing its name to be free from defects in material and workmanship on the date of sale to the original purchaser for use. With the exception of any special, extended, or limited warranty published by Graco, Graco will, for a period of twelve months from the date of sale, repair or replace any part of the equipment determined by Graco to be defective. This warranty applies only when the equipment is installed, operated and maintained in accordance with Graco's written recommendations.

This warranty does not cover, and Graco shall not be liable for general wear and tear, or any malfunction, damage or wear caused by faulty installation, misapplication, abrasion, corrosion, inadequate or improper maintenance, negligence, accident, tampering, or substitution of non-Graco component parts. Nor shall Graco be liable for malfunction, damage or wear caused by the incompatibility of Graco equipment with structures, accessories, equipment or materials not supplied by Graco, or the improper design, manufacture, installation, operation or maintenance of structures, accessories, equipment or materials not supplied by Graco.

This warranty is conditioned upon the prepaid return of the equipment claimed to be defective to an authorized Graco distributor for verification of the claimed defect. If the claimed defect is verified, Graco will repair or replace free of charge any defective parts. The equipment will be returned to the original purchaser transportation prepaid. If inspection of the equipment does not disclose any defect in material or workmanship, repairs will be made at a reasonable charge, which charges may include the costs of parts, labor, and transportation.

**THIS WARRANTY IS EXCLUSIVE, AND IS IN LIEU OF ANY OTHER WARRANTIES, EXPRESS OR IMPLIED, INCLUDING BUT NOT LIMITED TO WARRANTY OF MERCHANTABILITY OR WARRANTY OF FITNESS FOR A PARTICULAR PURPOSE.**

Graco's sole obligation and buyer's sole remedy for any breach of warranty shall be as set forth above. The buyer agrees that no other remedy (including, but not limited to, incidental or consequential damages for lost profits, lost sales, injury to person or property, or any other incidental or consequential loss) shall be available. Any action for breach of warranty must be brought within two (2) years of the date of sale.

**GRACO MAKES NO WARRANTY, AND DISCLAIMS ALL IMPLIED WARRANTIES OF MERCHANTABILITY AND FITNESS FOR A PARTICULAR PURPOSE, IN CONNECTION WITH ACCESSORIES, EQUIPMENT, MATERIALS OR COMPONENTS SOLD BUT NOT MANUFACTURED BY GRACO.** These items sold, but not manufactured by Graco (such as electric motors, switches, hose, etc.), are subject to the warranty, if any, of their manufacturer. Graco will provide purchaser with reasonable assistance in making any claim for breach of these warranties.

In no event will Graco be liable for indirect, incidental, special or consequential damages resulting from Graco supplying equipment hereunder, or the furnishing, performance, or use of any products or other goods sold hereto, whether due to a breach of contract, breach of warranty, the negligence of Graco, or otherwise.

## **FOR GRACO CANADA CUSTOMERS**

The Parties acknowledge that they have required that the present document, as well as all documents, notices and legal proceedings entered into, given or instituted pursuant hereto or relating directly or indirectly hereto, be drawn up in English. Les parties reconnaissent avoir convenu que la rédaction du présente document sera en Anglais, ainsi que tous documents, avis et procédures judiciaires exécutés, donnés ou intentés, à la suite de ou en rapport, directement ou indirectement, avec les procédures concernées.

# Graco Information

For the latest information about Graco products, visit [www.graco.com](http://www.graco.com).

**TO PLACE AN ORDER**, contact your Graco distributor or call to identify the nearest distributor.

**Phone:** 612-623-6921 **or Toll Free:** 1-800-746-1334 **Fax:** 330-966-3006

*All written and visual data contained in this document reflects the latest product information available at the time of publication.  
Graco reserves the right to make changes at any time without notice.*

*For patent information, see [www.graco.com/patents](http://www.graco.com/patents).*

Original instructions. This manual contains English. MM 332134

**Graco Headquarters:** Minneapolis  
**International Offices:** Belgium, China, Japan, Korea

**GRACO INC. AND SUBSIDIARIES • P.O. BOX 1441 • MINNEAPOLIS MN 55440-1441 • USA**

**Copyright 2012, Graco Inc. All Graco manufacturing locations are registered to ISO 9001.**

[www.graco.com](http://www.graco.com)