

Instructions

XD30 Series High Capacity Hose Reels



3A0138K

EN

Used in applications requiring long range dispense, transfer or evacuation of fuels, air, water, lubricants and other automotive fluids such as oil, grease and transmission fluids. For professional use only.

Not for use in explosive atmospheres.

Application markets include: mobile equipment servicing, heavy construction and industrial plants.

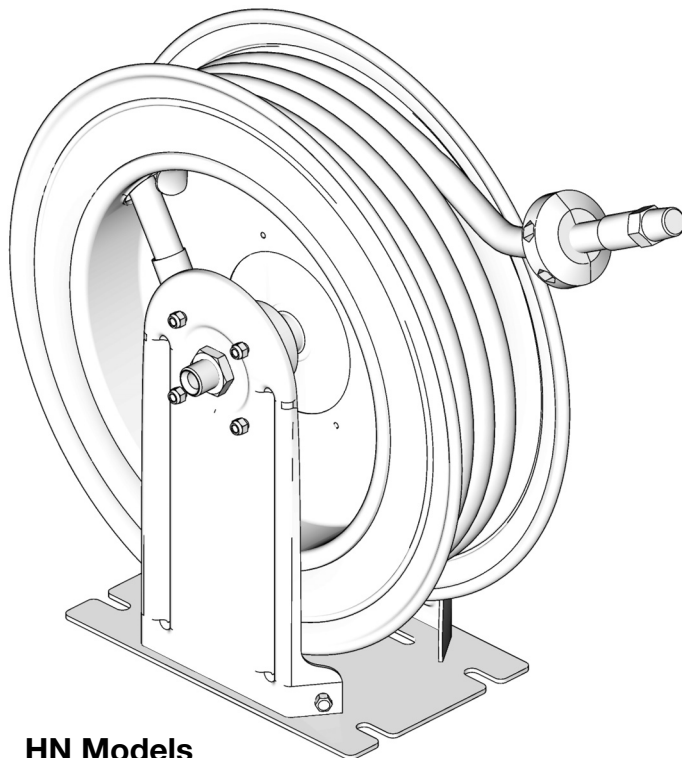
HS Models: Page 3

HN Models: Page 4

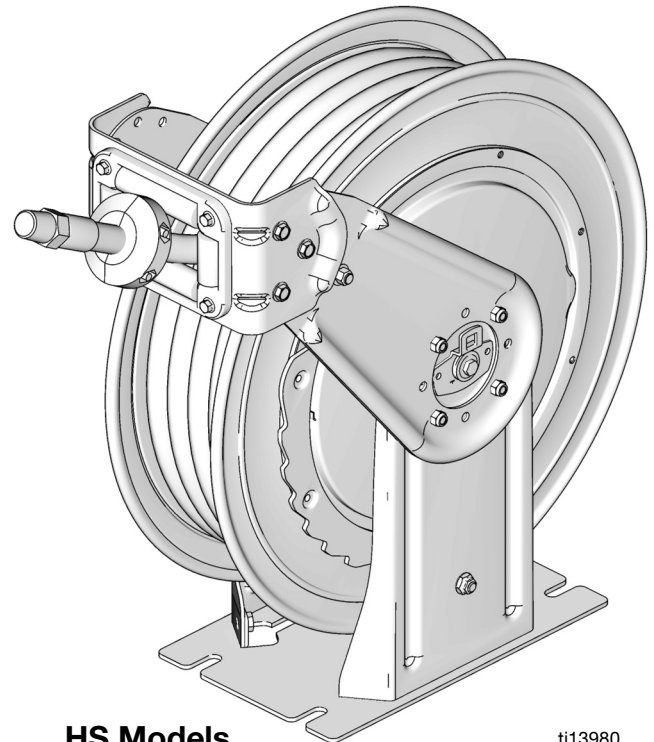


Important Safety Instructions

Read all warnings and instructions in this manual. Save these instructions.



HN Models






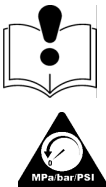
HS Models

ti13980



Warnings

The following warnings are for the setup, use, grounding, maintenance, and repair of this equipment. The exclamation point symbol alerts you to a general warning and the hazard symbol refers to procedure-specific risk. Refer back to these warnings. Additional, product-specific warnings may be found throughout the body of this manual where applicable.

 WARNING	
	<p>FIRE AND EXPLOSION HAZARD</p> <p>When flammable fluids are present in the work area, such as gasoline and windshield wiper fluid, be aware that flammable fumes can ignite or explode. To help prevent fire and explosion:</p> <ul style="list-style-type: none"> • Use equipment only in well ventilated area. • Eliminate all ignition sources, such as cigarettes and portable electric lamps. • Keep work area free of debris, including rags and spilled or open containers of solvent and gasoline. • Do not plug or unplug power cords or turn lights on or off when flammable fumes are present. • Ground all equipment in the work area. • Use only grounded hoses. • If there is static sparking or you feel a shock, stop operation immediately. Do not use equipment until you identify and correct the problem. • Keep a working fire extinguisher in the work area.
	<p>SKIN INJECTION HAZARD</p> <p>High-pressure fluid from dispensing device, hose leaks, or ruptured components will pierce skin. This may look like just a cut, but it is a serious injury that can result in amputation. Get immediate surgical treatment.</p> <ul style="list-style-type: none"> • Do not point dispensing device at anyone or at any part of the body. • Do not put your hand over the fluid outlet. • Do not stop or deflect leaks with your hand, body, glove, or rag. • Follow the Pressure Relief Procedure when you stop dispensing and before cleaning, checking, or servicing equipment. • Tighten all fluid connections before operating the equipment. • Check hoses and couplings daily. Replace worn or damaged parts immediately.
	<p>EQUIPMENT MISUSE HAZARD</p> <p>Misuse can cause death or serious injury.</p> <ul style="list-style-type: none"> • Do not operate the unit when fatigued or under the influence of drugs or alcohol. • Do not exceed the maximum working pressure or temperature rating of the lowest rated system component. See Technical Data in all equipment manuals. • Use fluids and solvents that are compatible with equipment wetted parts. See Technical Data in all equipment manuals. Read fluid and solvent manufacturer's warnings. For complete information about your material, request MSDS from distributor or retailer. • Do not leave the work area while equipment is energized or under pressure. Turn off all equipment and follow the Pressure Relief Procedure when equipment is not in use. • Check equipment daily. Repair or replace worn or damaged parts immediately with genuine manufacturer's replacement parts only. • Do not alter or modify equipment. • Use equipment only for its intended purpose. Call your distributor for information. • Route hoses and cables away from traffic areas, sharp edges, moving parts, and hot surfaces. • Do not kink or over bend hoses or use hoses to pull equipment. • Keep children and animals away from work area. • Comply with all applicable safety regulations.


WARNING
**MOVING PARTS HAZARD**

Moving parts can pinch, cut or amputate fingers and other body parts.

- Keep clear of moving parts.
- Do not operate equipment with protective guards or covers removed.
- Pressurized equipment can start without warning. Before checking, moving, or servicing equipment, follow the **Pressure Relief Procedure** and disconnect all power sources.



HS Models

Each model shown in the table below is available in several colors. The last character of each model no. indicates the hose reel color. A = white + NPT, B = Metallic Blue + NPT, F = Yellow + NPT, and G = Desert Sand + NPT, P = white + BSPT, R = Metallic Blue + BSPT, U = Yellow + BSPT. On the table below, this last character is represented by the generic # symbol. For example, to show the complete model number for a white HSHC5 model hose reel, the symbol # is replaced with "A". The complete model number is: HSHC5A.

Model No.	Series	Application	Recommended Mounting Position	Hose Size	Maximum Pressure		
					PSI	Bar	Mpa
HSHC5#	A	Grease	Truck	1/2 in.	5000	345	34.5
HSHC5#	B	Grease	Truck and Overhead	1/2 in.	5000	345	34.5
HSHFF#	A & B	Bare: Pressure Washer	Truck and Overhead	NA	5000	345	34.5
HSLC8#	A & B	Air/Water	Truck and Overhead	1/2 in.	300	20.7	2.07
HSLD5#	A & B	Air/Water	Truck and Overhead	3/4 in.	300	20.7	2.07
HSLE3#	A & B	Fuel/ Evacuation	Truck and Overhead	1 in.	125	8.6	.86
HSMC8#	A	Oil	Truck	1/2 in.	1500	103.4	10.34
HSMC8#	B	Oil	Truck and Overhead	1/2 in.	1500	103.4	10.34
HSMDD#	A	Bare: MP- LP 3/4 in.	Truck	NA	2000	138	13.8
HSMDD#	B	Bare: MP- LP 3/4 in.	Truck and Overhead	NA	2000	138	13.8
HSPB8#	A & B	Pressure Washer	Truck and Overhead	3/8 in.	4000	275	27.5
HSHCD#	A	Bare: HP 1/2 in.	Truck	NA	5000	345	34.5
HSHCD#	B	Bare: HP 1/2 in.	Truck and Overhead	NA	5000	345	34.5
HSMCF#	A & B	Bare: LP 1/2 in.	Truck and Overhead	NA	2000	138	13.8
HSHB7#	A	Grease	Truck and Overhead	3/8 in.	5000	345	34.5
HSPC5#	A	Pressure Washer	Truck and Overhead	1/2 in.	4500	310.3	31.0

NOTE: Truck mounted hose reels may require the hose/dispense valve be walked back into the hose reel for full retraction.

HN Models

Each model shown in the table below is available in several colors. The last character of each model no. indicates the hose reel color. A = white, B = Metallic Blue, F = Yellow, and G = Desert Sand. On the table below, this last character is represented by the generic # symbol. For example, to show the complete model number for a white HNHC5 model hose reel, the symbol # is replaced with "A". The complete model number is: HNHC5A.

Model No.	Application	Hose Size	Maximum Pressure		
			PSI	Bar	Mpa
HNHC5#	Grease	1/2 in.	5000	345	34.5
HNHFF#	Bare: Pressure Washer	NA	5000	345	34.5
HNLC8#	Air/Water	1/2 in.	300	20.7	2.07
HNLD5#	Air/Water	3/4 in.	300	20.7	2.07
HNLE3#	Fuel/Evacuation	1 in.	125	8.6	0.86
HNMC8#	Oil	1/2 in.	1500	103.4	10.34
HNMD5#	Oil	3/4 in.	1250	86	8.6
HNMDD#	Bare: MP- LP 3/4 in.	NA	2000	138	13.8
HNPB8#	Pressure Washer	3/8 in.	4000	275	27.5
HNHCD#	Bare: HP 1/2 in.	NA	5000	345	34.5
HNHB7#	Grease	3/8 in.	5000	345	34.5
HNPC5#	Pressure Washer	1/2 in.	4500	310.3	31.0

Installation

--	--	--	--	--	--	--	--	--	--

A **ground wire (G)**, **bleed-type master air valve (E)**, **thermal relief valve (H)** and **fluid drain valve (J)** are required in your system installation. These (user supplied) components help reduce the risk of serious injury.

- The **ground wire (G)** must be connected to the pump grounding lug and to a true earth ground to prevent static sparking that could result when fluid is dispensed through the hose. See your local code for specific requirements.
- The hose reel must be **grounded**.
- The **bleed-type master air valve (E)** relieves air trapped between this valve and the pump after the air is shut off. Trapped air can cause the pump to cycle unexpectedly, therefore locate the valve close to the pump.
- The **thermal relief valve (H)** and **fluid drain valve (J)** assist in relieving fluid pressure in the displacement pump, hose and dispense valve. Triggering the **dispensing valve (N)** to relieve pressure may not be sufficient. Open the **fluid drain valve (J)** to relieve fluid pressure that may be captured elsewhere in the system.

Typical Installation Layout

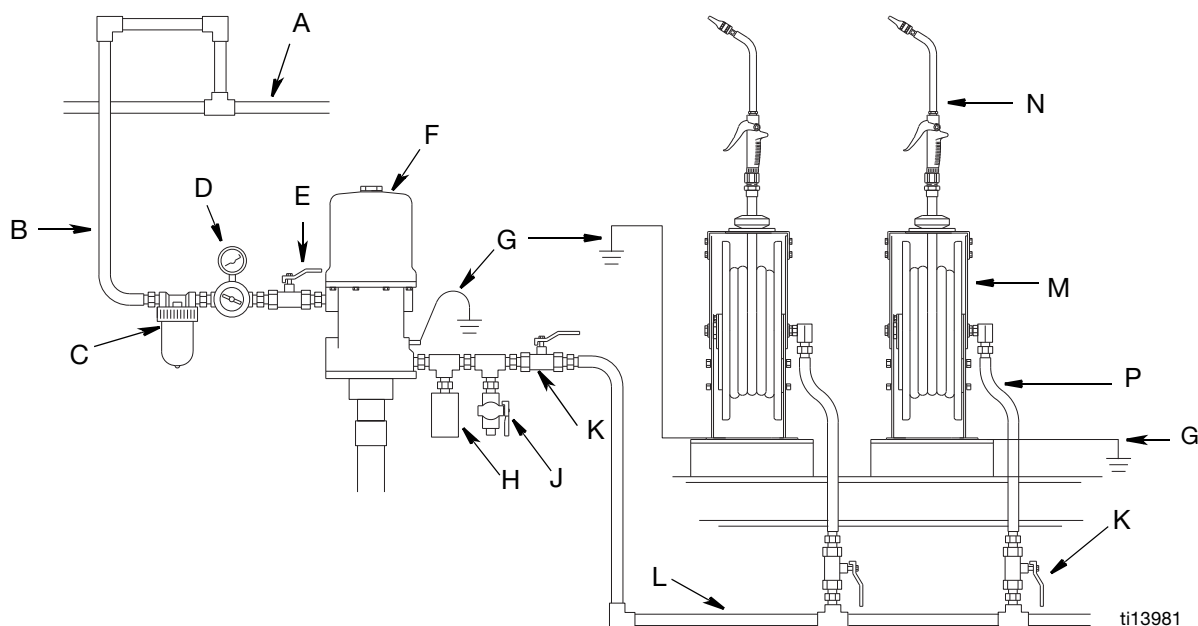
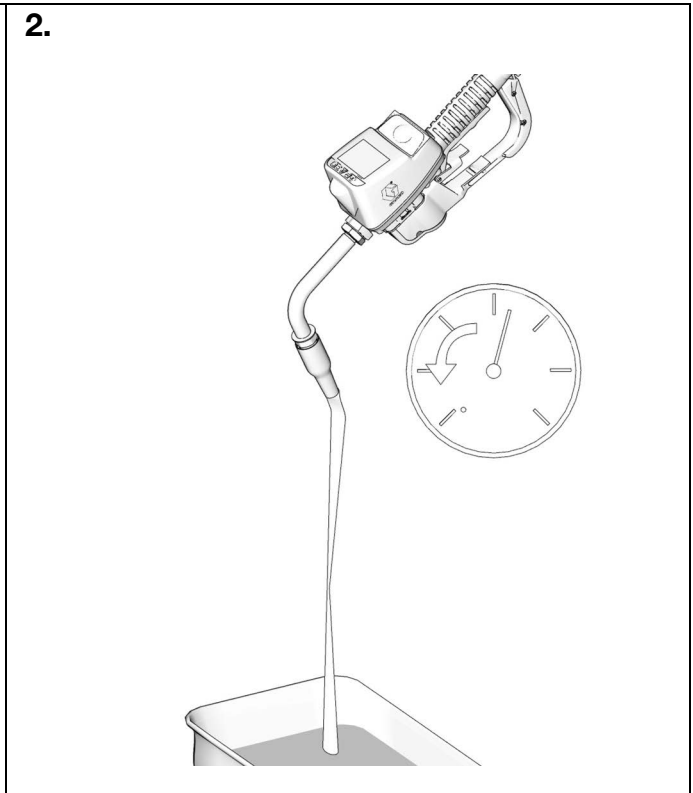
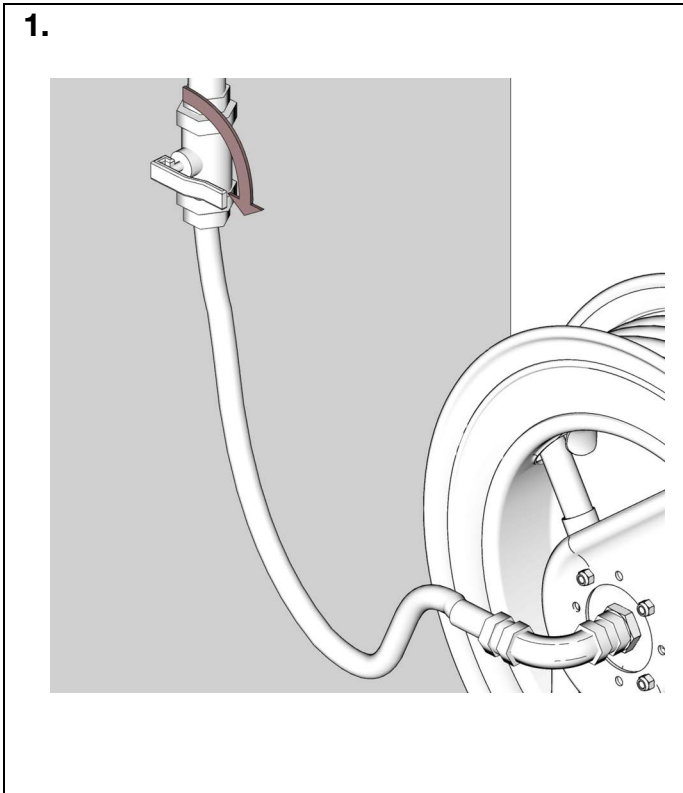
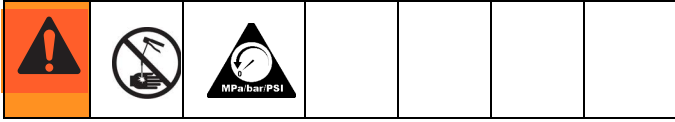



FIG. 1

- | | |
|---|---|
| <p>A Main air supply
 B Pump air supply
 C Air filter
 D Air regulator
 E Bleed-type master air valve (user supplied, required)
 F Pump
 G Grounding wire (user supplied, required for pump and hose reel)
 H Thermal relief valve (user supplied, required)
 J Fluid drain valve (user supplied, required)</p> | <p>K Fluid shut-off valve
 L Fluid line
 M Hose reel
 N Dispensing valve
 P Flexible inlet hose</p> |
|---|---|

Pressure Relief Procedure



All Mountings

						
---	--	--	--	--	--	--

To reduce the risk of injury, be sure the mounting surface and mounting screws are strong enough to support the reels, weight of the fluids and stress caused by hard pulls on the service hoses. See Technical Data, page 24 for weights of hose reel assemblies.

NOTE: Reels perform best when arm allows hose to pull straight off the spool as shown in FIG. 2 and FIG. 3.

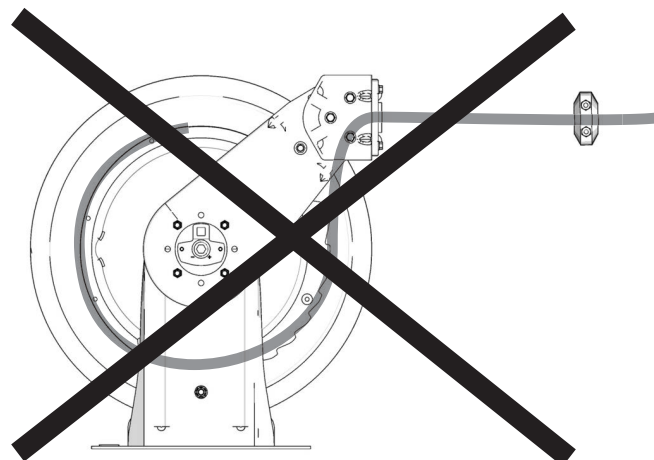
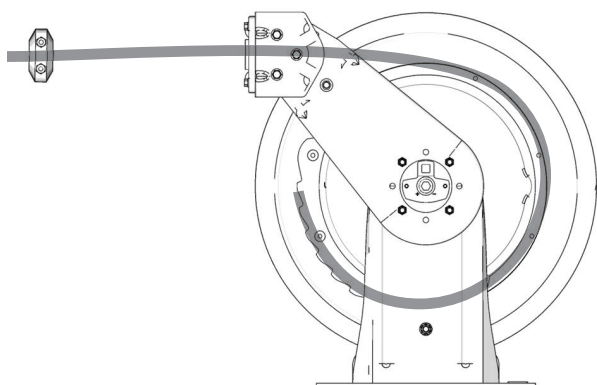


FIG. 2

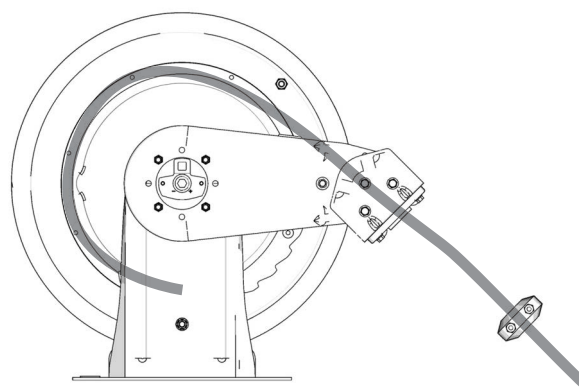
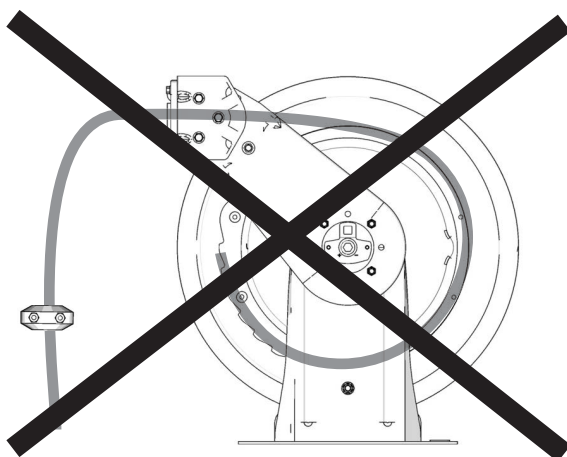
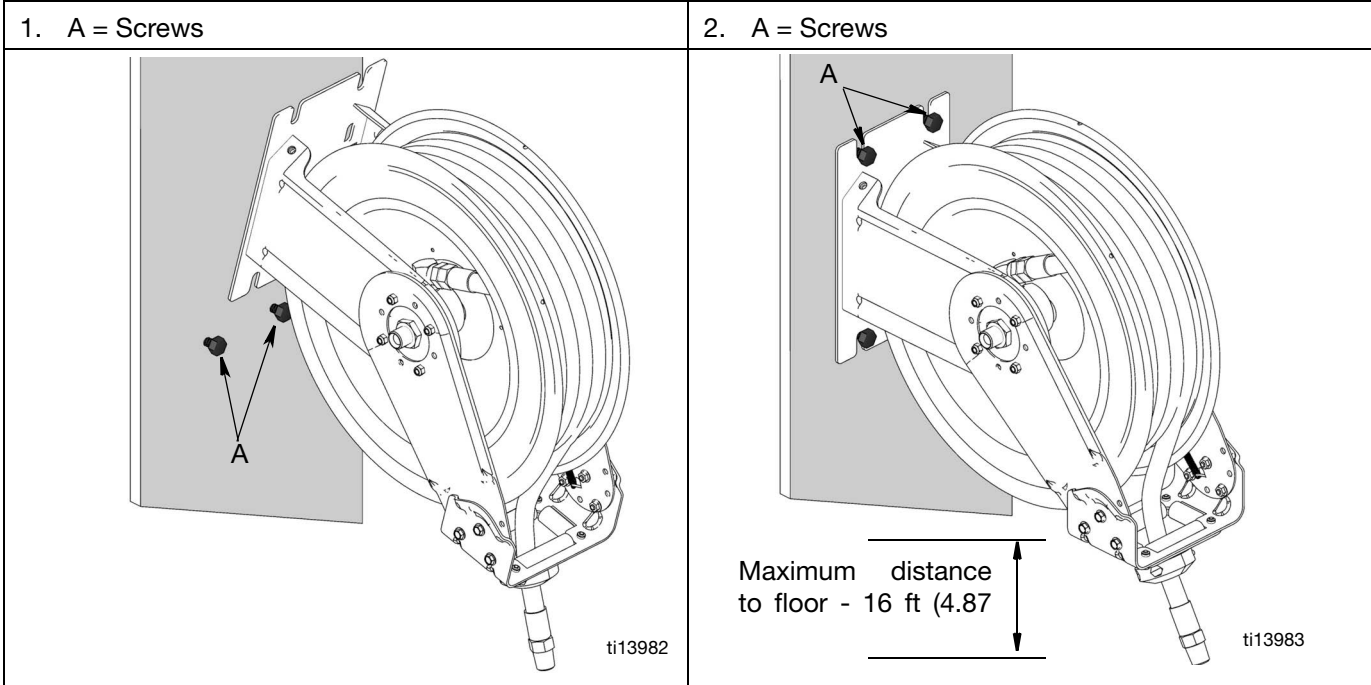
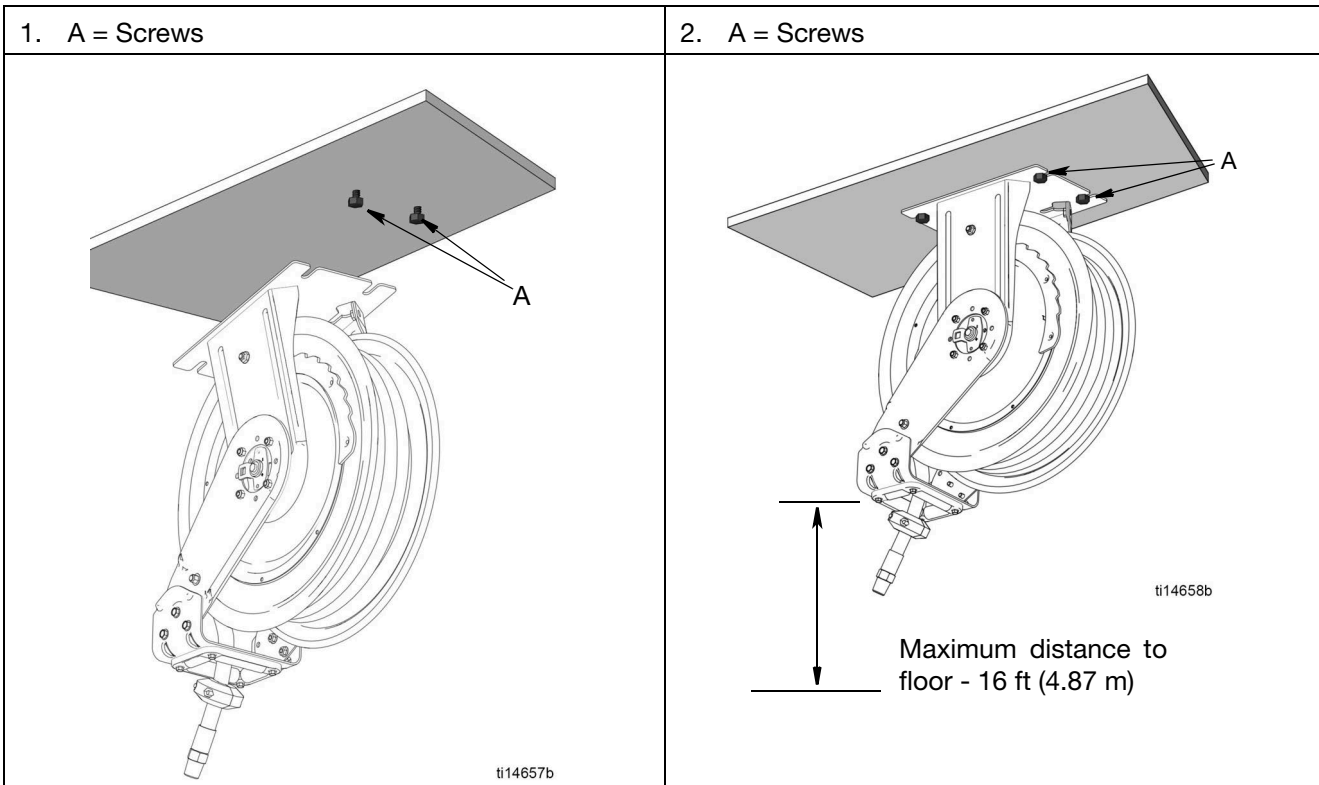


FIG. 3

Wall Mounting

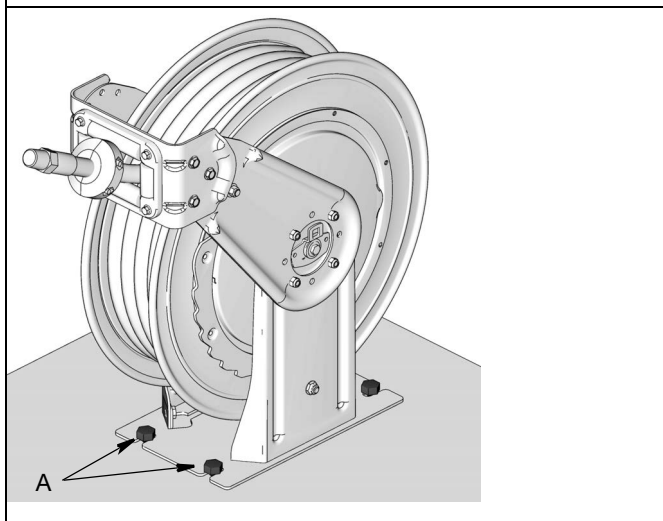


Ceiling Mounting



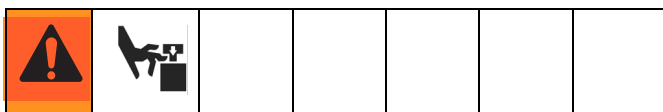
Truck Bed Mounting

1. A = Screws

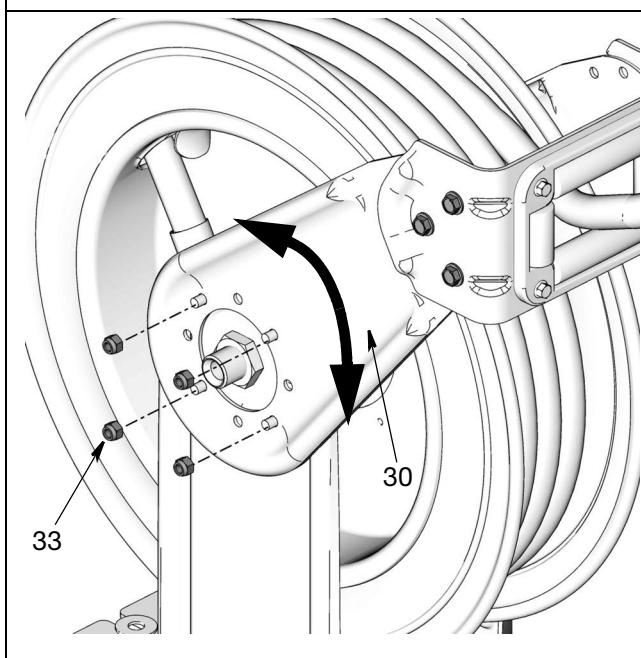


Changing Position of Guide Arms (30)

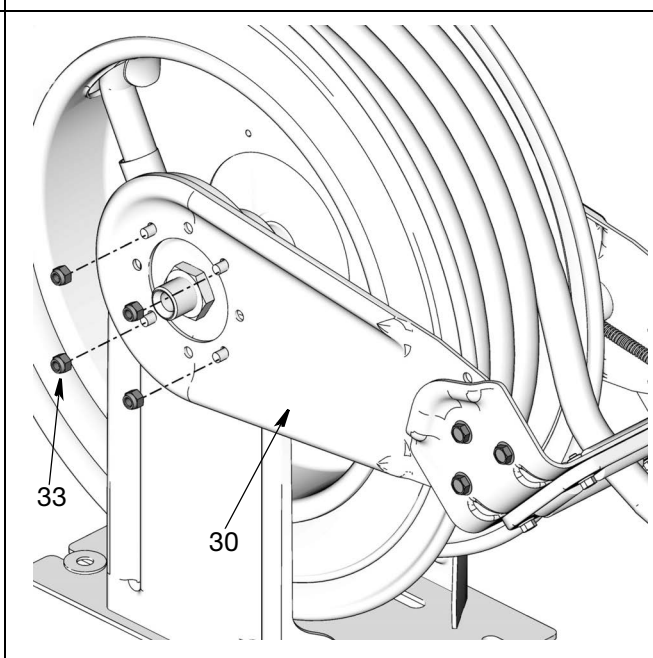
HS Models Only



1. Remove nuts (33). Reposition guide arms (30) to new location.



2. Reinstall nuts (33). Torque to 25 - 35 ft lbs (33.9 to 47.5 N·m).

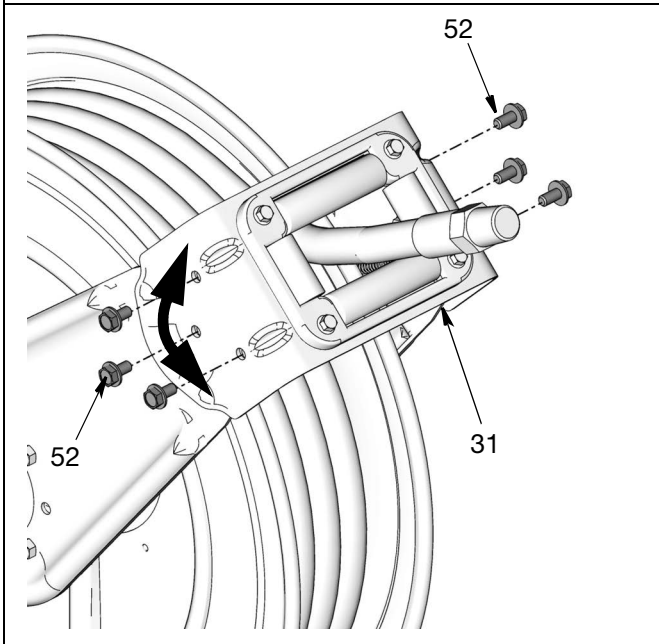


Changing Hose Guide (31) Position

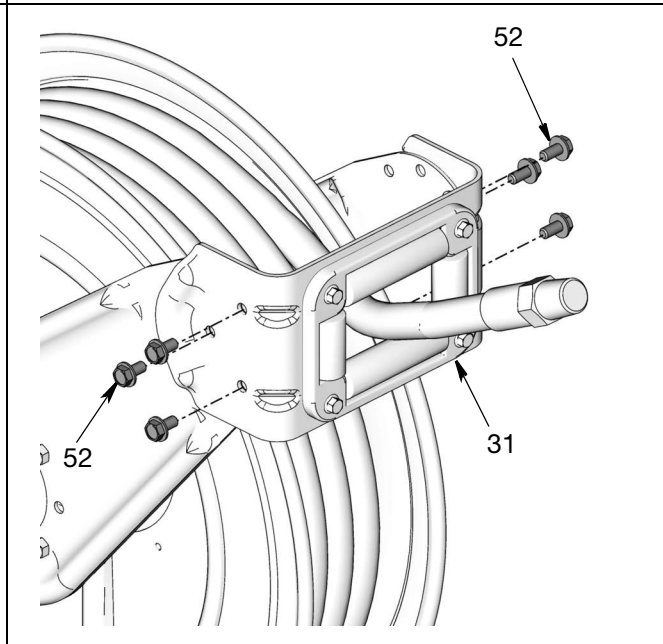
HS Models Only.



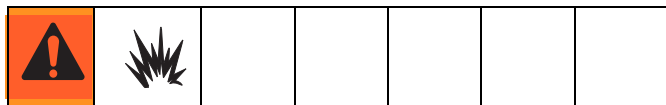
1. Remove screws (52) and nuts (53) (not shown). Reposition hose guide (31) to new location.



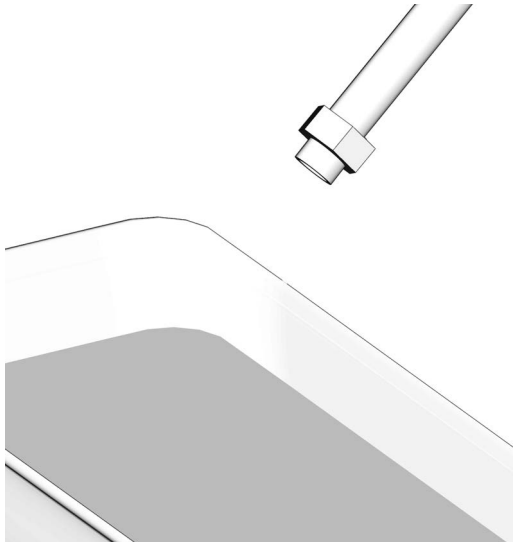
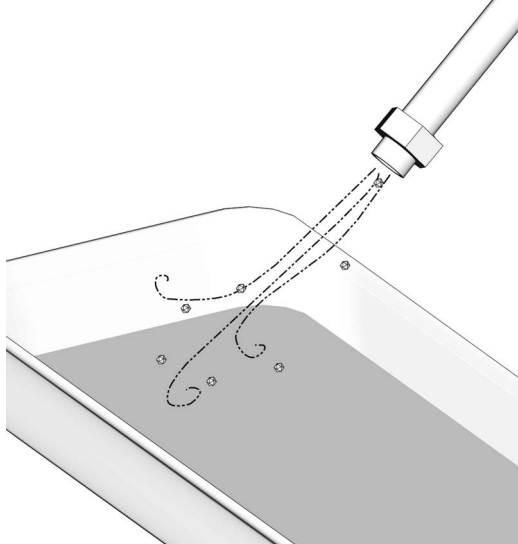
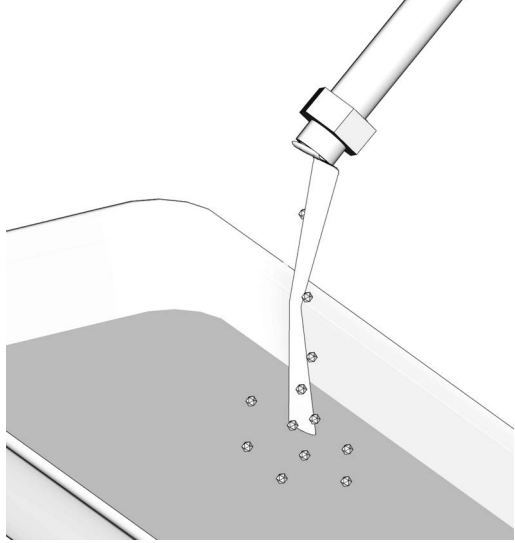
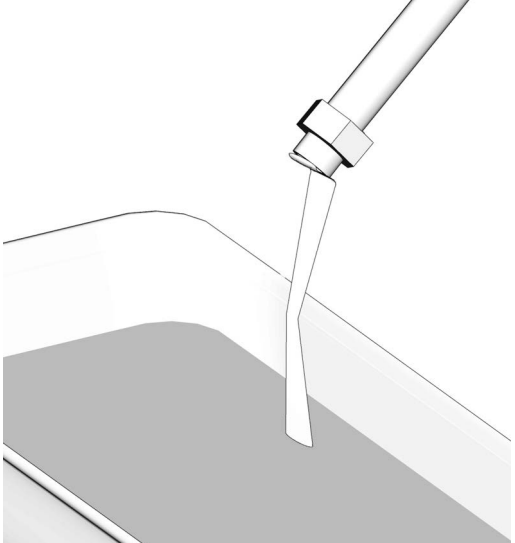
2. Reinstall screws (52) and nuts (53) (not shown). Torque to 25 - 35 ft lbs (33.9 to 47.5 N·m).



Flushing

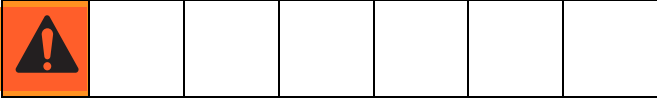


Before installing meter or dispense valve to end of hose, flush supply line with a solvent compatible with the fluid you are dispensing.

<p>1. Place end of hose in waste container.</p>	<p>2. Blow out entire lubricant supply line with air.</p>
	
<p>3. Flush equipment with a compatible solvent until fluid runs clear.</p>	<p>4. Pump dispensing lubricant through line until all solvent is flushed out.</p>
	

Adjusting Spring Tension

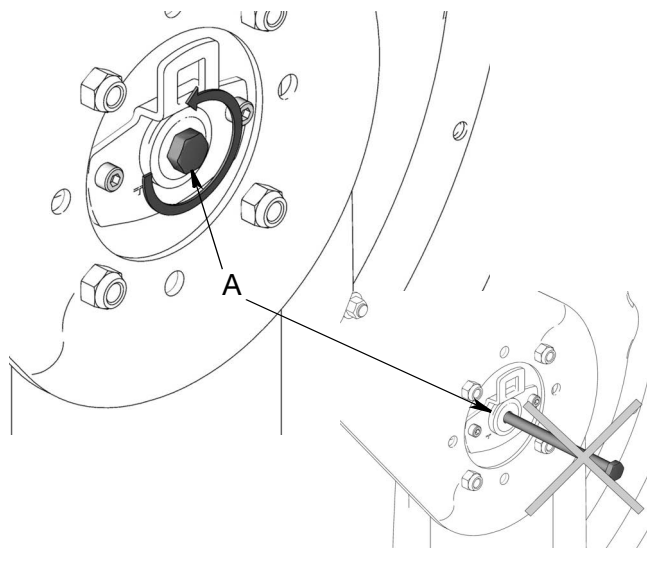
Increasing Spring Tension



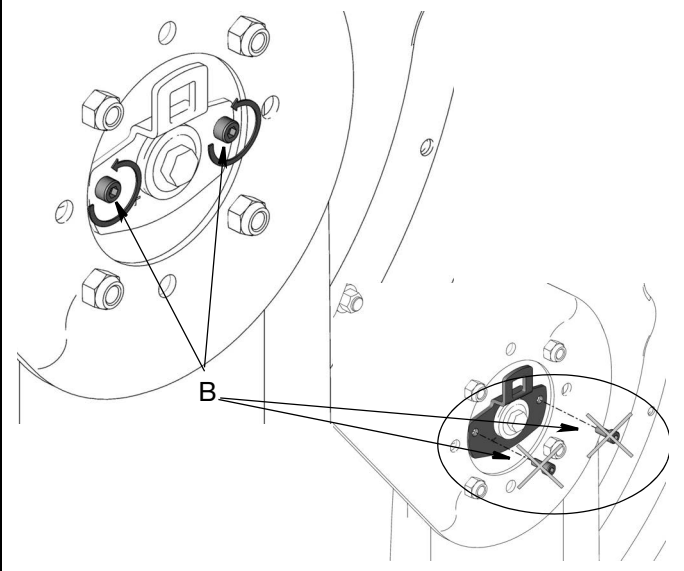
The spring is always under great tension, which if released in an uncontrolled manner could cause serious injury.

- Never allow the reel to spin freely. Uncontrolled spinning could cause serious injury if you are hit by the hose.
- Always grasp the tool firmly with both hands when adjusting tension. Spring tension can cause the tool to move violently.
- The reel must be bolted securely in place when making adjustments.

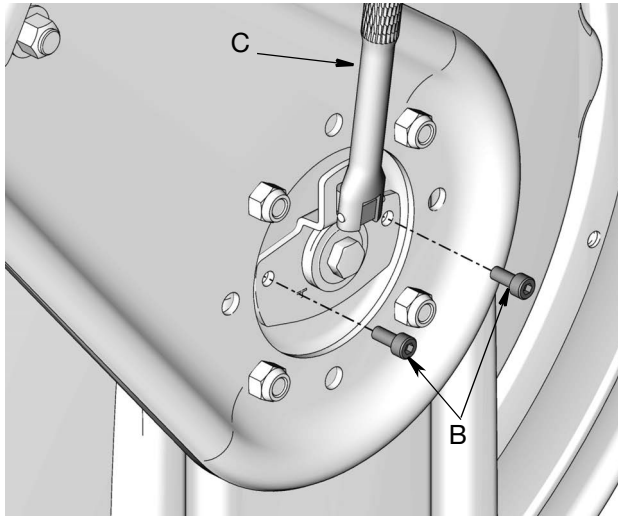
1. Loosen (A) 3-5 turns. Do not remove (A)!



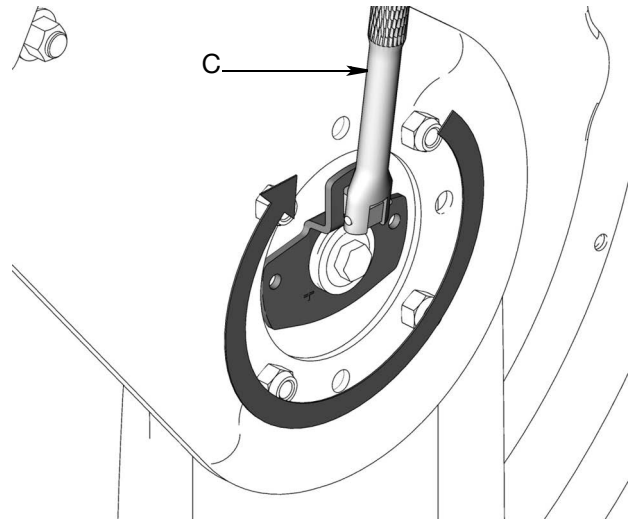
2. Loosen (B) 3-5 turns. Do not remove (B) yet.



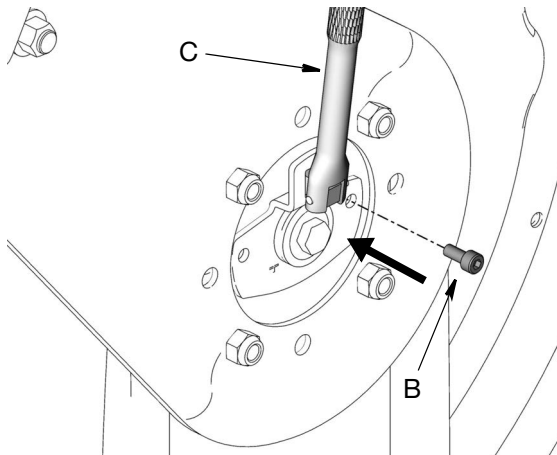
3. Insert tool (C) in opening. Hold tool (C) firmly to engage spring force before removing screws (B).



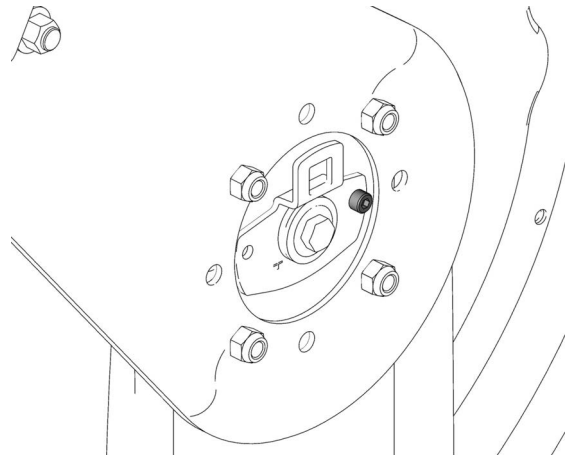
4. Turn tool (C) one full turn clockwise.



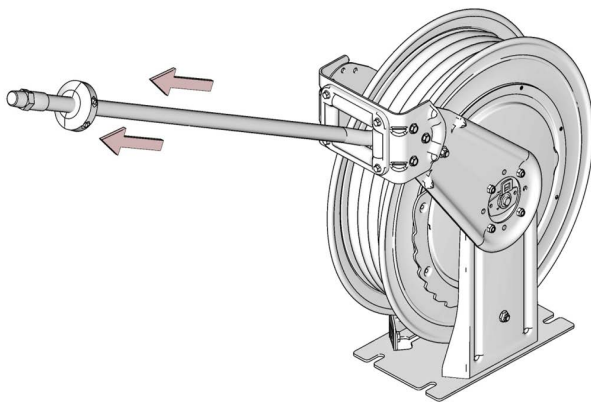
5. Replace one screw (B). Leave tool (C) in place.



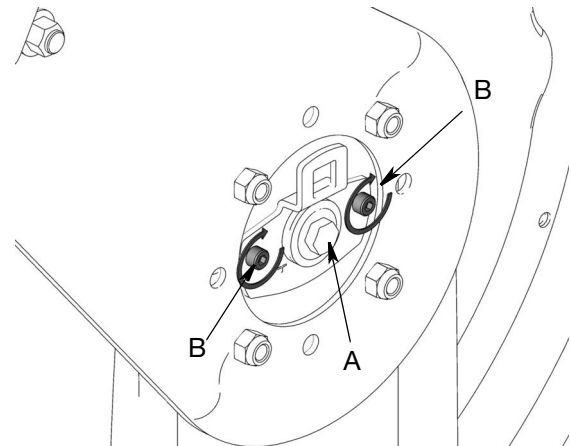
6. Remove tool (C).




7. Pull hose to test tension. Repeat 3 - 7 if necessary.

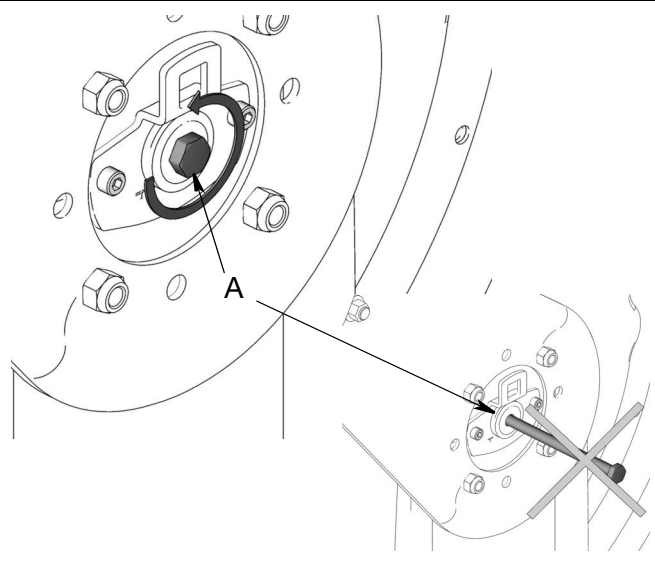
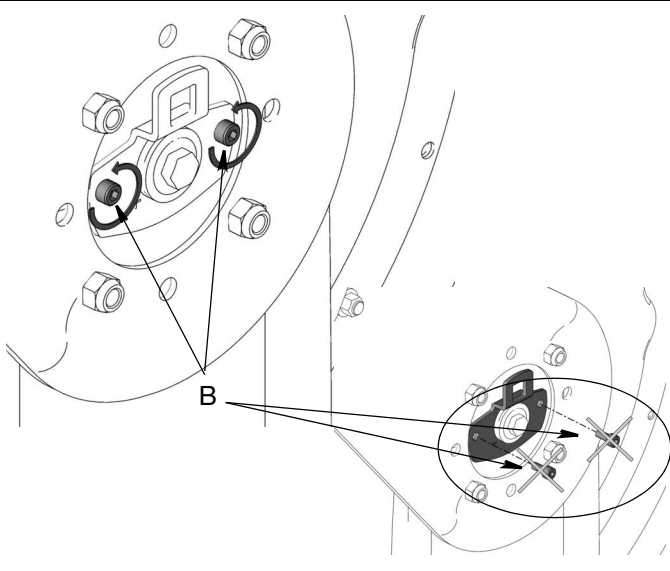


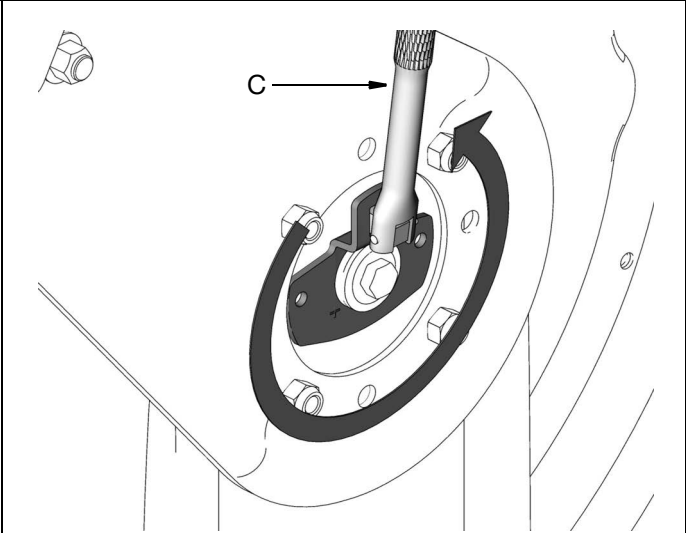
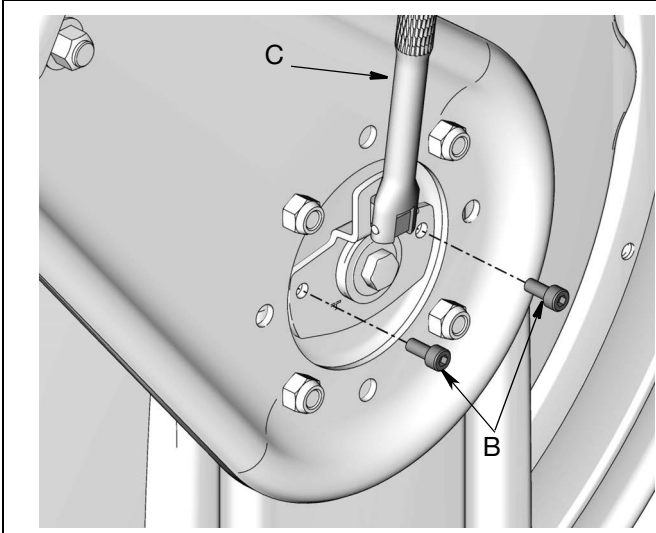
8. Replace and tighten screws (B) and (A).



Decreasing Spring Tension

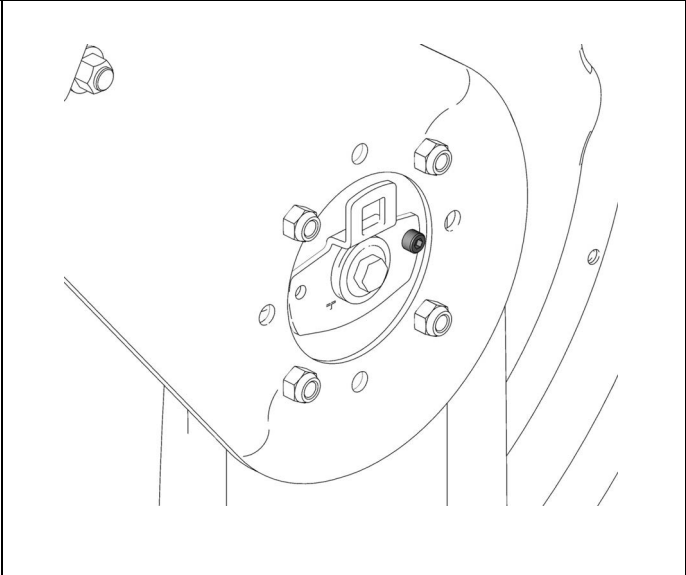
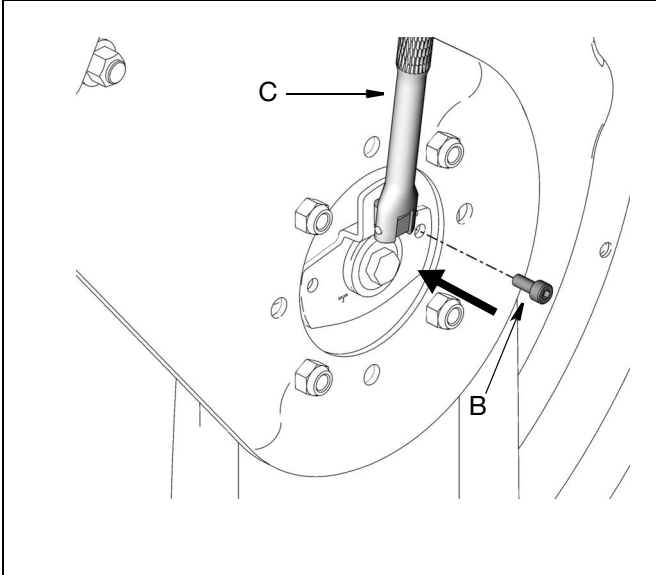
						
<p>The spring is always under great tension, which if released in an uncontrolled manner could cause serious injury.</p> <ul style="list-style-type: none">• Never allow the reel to spin freely. Uncontrolled spinning could cause serious injury if you are hit by the hose.• Always grasp the tool firmly with both hands when adjusting tension. Spring tension can cause the tool to move violently.• The reel must be bolted securely in place when making adjustments.						

<p>1. Loosen (A) 3-5 turns. Do not remove (A)!</p>	<p>2. Loosen (B) 3-5 turns. Do not remove (B) yet.</p>
	
<p>3. Insert tool (C) in opening. Hold tool (C) firmly to engage spring force before removing screws (B).</p>	<p>4. Turn tool (C) one full turn counter-clockwise.</p>

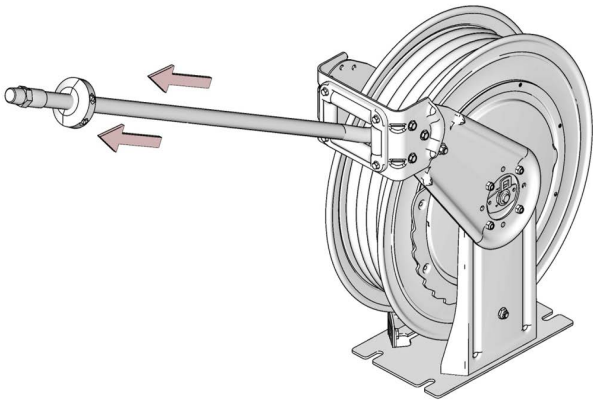


5. Replace one screw (B). Leave tool (C) in place.

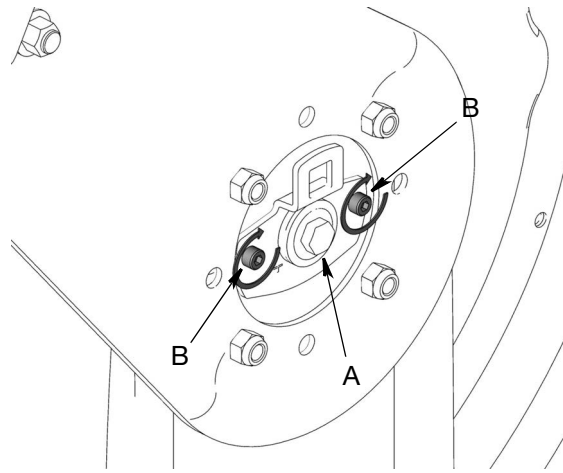
6. Remove tool (C).



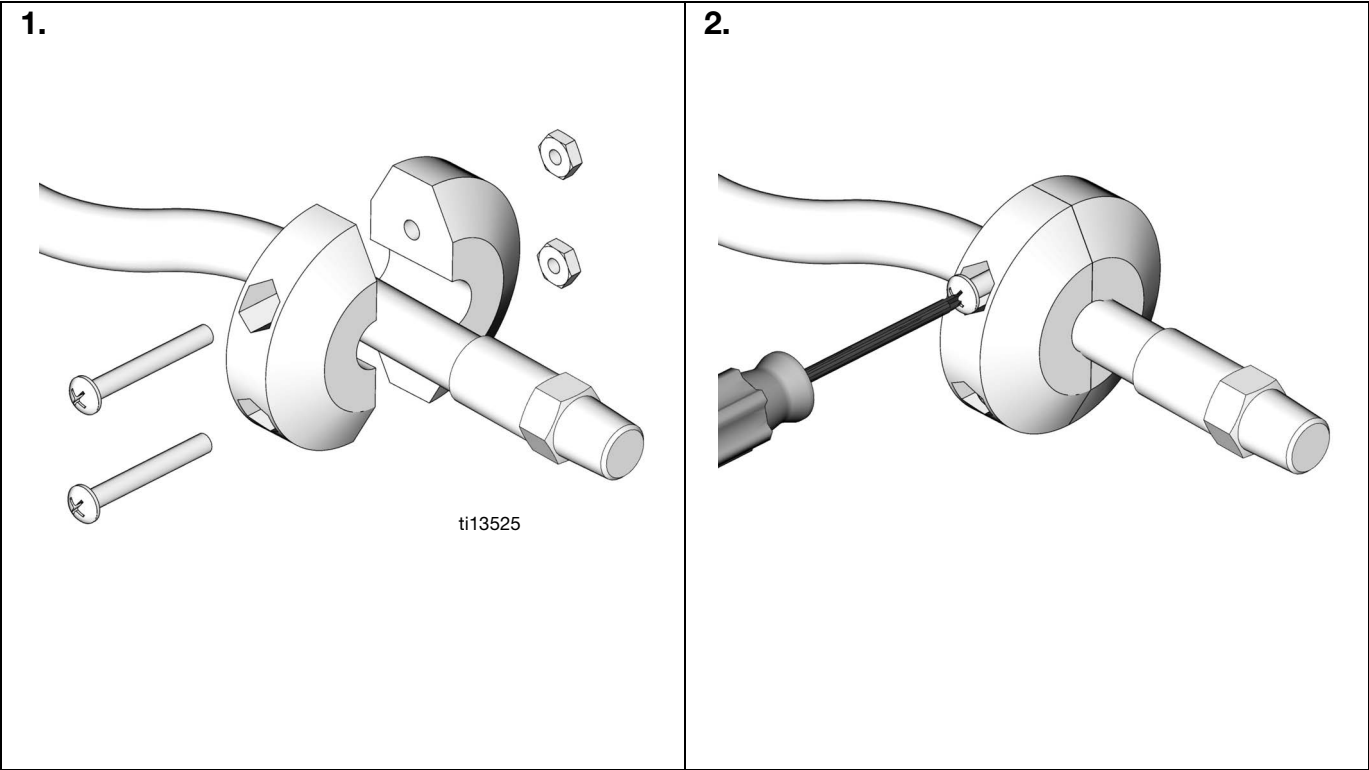
7. Pull hose to test tension. Repeat 3 - 7 if necessary.



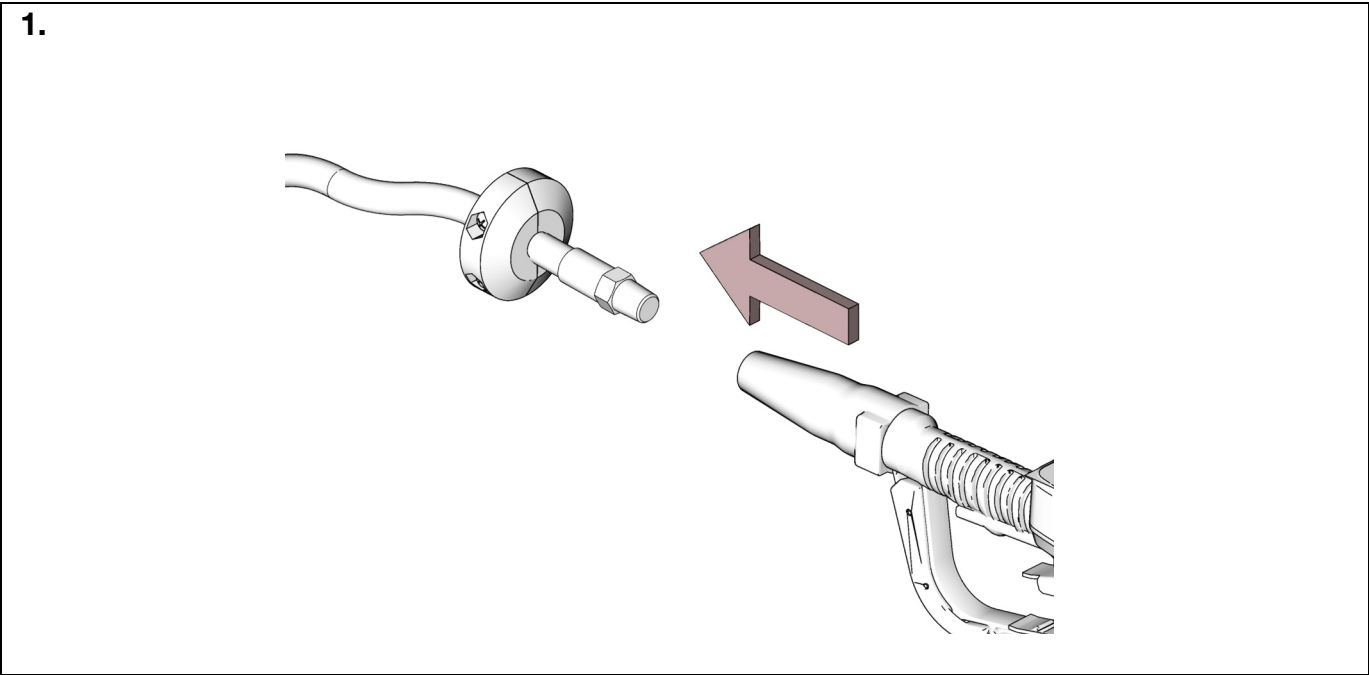
8. Replace and tighten screws (B) and (A).



Hose Stopper Installation



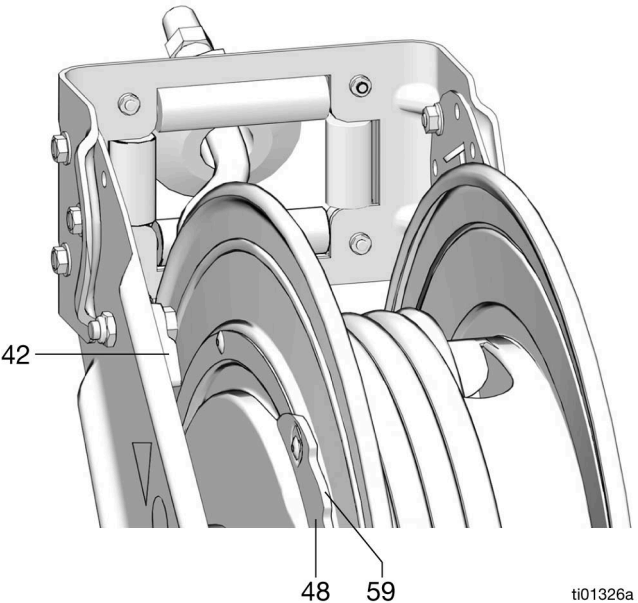
Installing Meter



Maintenance

Ratchet Plate and Pawl

For this section, reference **Parts**, pages 19 - 23.

1. Inspect the ratchet plate (59) for wear - indicated by rounding of the tips of the ratchet teeth.	2. Inspect the pawl (42) for wear that may cause the inability to latch onto the ratchet plate (59).
3. Ensure that the ratchet plate screws(48) are tight and that the ratchet plate (59) is secure against the spring cover.	4. If the ratchet plate (59) is loose, and not worn, use thread locking solution and tighten the screws (48).
5. If the ratchet plate (59) or the pawl (42) need to be replaced, see Parts , pages 19 - 23.	 <p>ti01326a</p>

Parts: HS Models

(For a complete list of model numbers, see page 3)

Ref. No.	Part No.	Description	Qty	Ref. No.	Part No.	Description	Qty
1‡		SHAFT, spring (not shown)	1	27	16A691	SCREW, socket head	2
2	15Y781	WASHER, flat (not shown)	1	28	24C986	HOSE, coupled, 50 ft (HSHC5 models)	1
3†		SHAFT, swivel, (HSLC8, HSMC8, HSLD5, HSLE3, HSMD5 and HSMDD models)	1		24C987	HOSE, coupled, 75 ft (HSLC8 models)	1
4‡		KEY, square (not shown)	1		24C988	HOSE, coupled, 50 ft (HSLD5 models)	1
6‡		BEARING, needle, swivel side (not shown)	1		24C989	HOSE, coupled, 30 ft (HSLE3 models)	1
7‡		WASHER, flat, spring side	1		24C990	HOSE, coupled, 75 ft (HSMC8 models)	1
8‡		BEARING, needle, spring side (not shown)	1		24C991	HOSE, coupled, 50 ft (HSMD5 models)	1
9‡		FLANGE, set, black	1		24C992	HOSE, coupled, 75 ft (HSPB8 models)	1
10‡		SPRING, power, 21 turn (not shown)	1		126076	HOSE, coupled, 75 ft (HSHB7 models)	1
11‡		COVER, spring, black (not shown)	1		126075	HOSE, coupled, 50 ft (HSPC5 models)	1
12‡		GASKET (not shown)	1	30	16A121	ARM, guide, all models, white	2
14	15Y122	ADJUSTER, power spring	1		16A122	ARM, guide, all models, metallic blue	2
15	277867	WASHER, flat, square center	1		16A123	ARM, guide, all models, yellow	2
16	15U581	WASHER, flat 31 id	1		16A124	ARM, guide, all models, desert sand	2
17	16A719	WASHER, flat	1	31	16A140	GUIDE, hose, all models, white	1
18	278151	SCREW, swivel shaft	1		16A141	GUIDE, hose, all models, metallic blue	1
19	107100	SCREW, cap	2		16A142	GUIDE, hose, all models, yellow	1
20†*		PACKING, o-ring	2		16A143	GUIDE, hose, all models, desert sand	1
21†*		RING, backup I	2	32	186580	NUT, hex (HSHC5, HSHCF, HSLC8, HSMC, HSPB8, HSPC5, HSHB7 models)	1
22†		SWIVEL, elbow (HSLC8, HSMC8 models)	1		15Y905	NUT, hex (HSLD5, HSLE3, HSMD5, and HSMDD models)	1
		SWIVEL, elbow (HSLD5, HSLE3, HSMD5, and HSMDD models)	1	33	104541	NUT, lock	8
23	155470	FITTING, swivel, union (HSHC5, HSLC8, HSHCD, HSMC8, HSPC5 models)	1	34◆★		BRACKET, roller	1
	160327	FITTING, swivel, union (HSLD5, HSLE3, HSMD5, and HSMDD models)	1	35◆★		PIN, roller	2
	161037	FITTING, swivel, union (HSHFF, HSPB8, HSHB7 models)	1	36◆★		BOLT, m6x 20 lg w/patch	4
24	16A146	BASE, painted, all models white	1	37◆★		ROLLER, hose	2
	16A147	BASE, painted, all models metallic blue	1	38◆★		PIN, roller	2
	16A148	BASE, painted, all models yellow	1	39◆★		ROLLER, hose	2
	16A149	BASE, painted, all models desert sand	1	40♣		NUT, lock, hex	1
25	15U448	RING, retaining, ext, 22mm	1	41♣		BUSHING, pawl (not shown)	1
26	16A134	PEDESTAL, arm, swivel side, all models white	1	42♣		KIT, pawl, ratchet	1
	16A135	PEDESTAL, arm, swivel side, all models metallic blue	1	43♣		BOLT, m10 x 40 lg	1
	16A136	PEDESTAL, arm, swivel side, all models, yellow	1	44♣		SPRING, sst	1
	16A137	PEDESTAL, arm, swivel side, all models desert sand	1	46▲	15W036	LABEL, Warning	1
				48♣		SCREW, button head m6	4

Ref.	No.	Part No.	Description	Qty
49✓	218341		STOP, hose (HSHC5, HSLC8, HSMC8, HSPB8, HSHB7, HSPC5 models)	2
	237873		STOP, hose (HSLD5 and HSMD5 models)	2
	237874		STOP, hose (HSLE3 models)	2
50✓			SCREW, mach, phil, pn hd	2
51✓			NUT, hex, jam	2
52	111799		SCREW, cap, hex hd	6
53	16A390		NUT, hex	6
59♣			RATCHET, Aluminum	1
60##			ASSEMBLY, high pressure swivel (HSHC5, HSHFF, HSPB8, HSHCD, HSHB7, HSPC5)	1

▲ Replacement Danger and Warning labels, tags and cards are available at no cost.

† Included in Low / Medium Pressure Swivel and Seal Replacement Kit 24C993 - 1/2 in. NPSM, 24P059 - 1/2 in. BSPT, or 24C994 - 3/4 in. NPSM, 24P060 - 3/4 in. BSPT

♣ Included in Ratchet and Latch Replacement Kit 24C995

◆ Included in Hose Guide Kit 24C996

★ Included in Bulk Head Hose Guide Kit 24C997

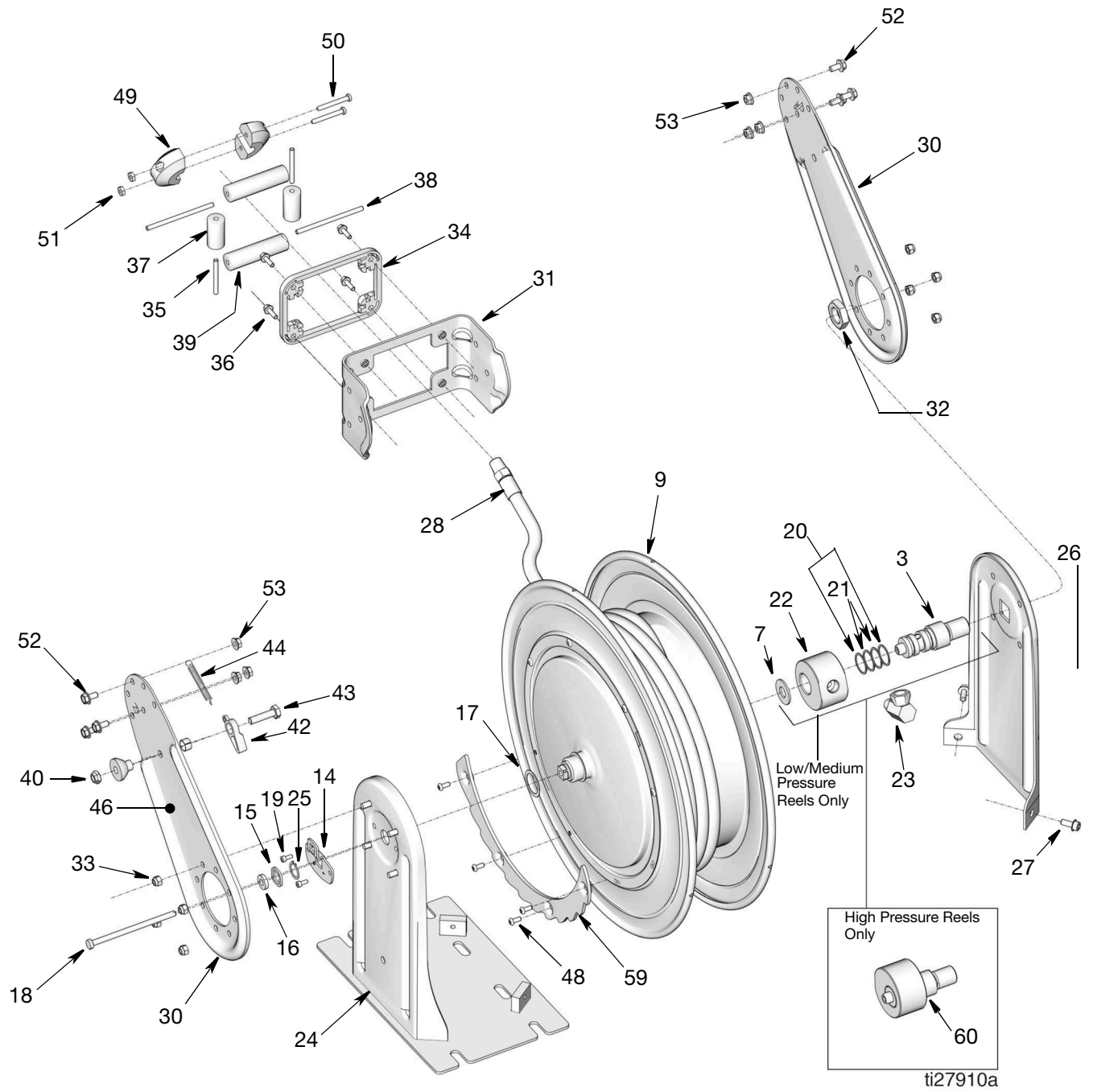
‡ Included in Spool Replacement Kit 24C998

✓ Included in Hose Stop Replacement Kit 218341, 237873 or 237874

♣ Included in Low / Medium Pressure Swivel Seal Replacement Kit 24D134

Included in High Pressure Swivel Assembly Kit 128920 - 1/2 in. NPSM, 128921 - 1/2 in. BSPT





Parts: HN Models

(For a complete list of model numbers, see page 4)

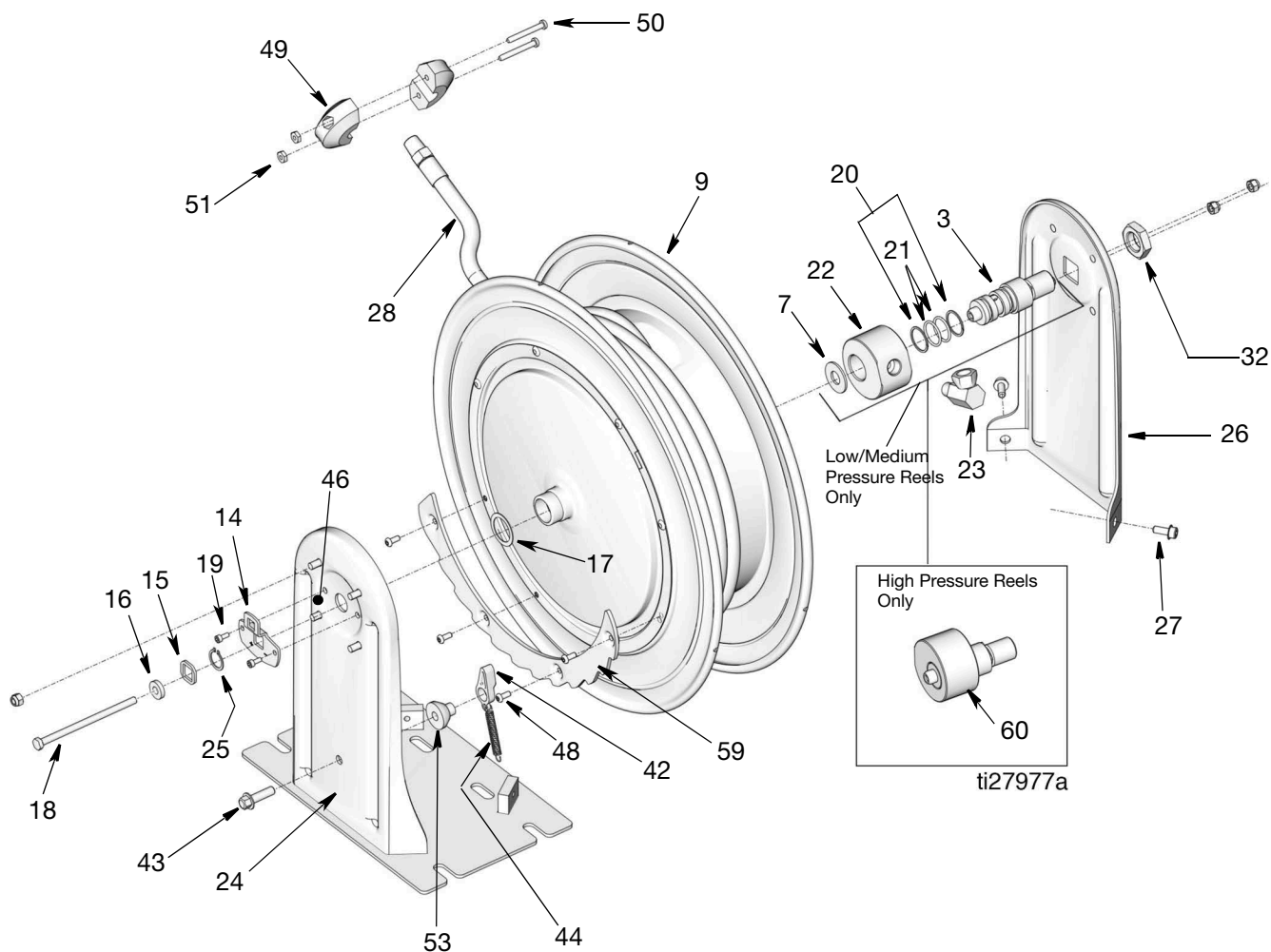
Ref. No.	Part No.	Description	Qty	Ref. No.	Part No.	Description	Qty
1†		SHAFT, spring (not shown)	1	126076		HOSE, coupled, 75 ft (HNHB7 models)	1
2	15Y781	WASHER, flat (not shown)	1	126075		HOSE, coupled, 50 ft (HNPC5 models)	1
3†		SWIVEL, shaft (HNLC8, HNMC8, HNLD5, HNLE3, HNMD5 and HNMDD)	1	24C987		HOSE, coupled, 75 ft (HNLC8 models)	1
4†		KEY, square (not shown)	1	24C988		HOSE, coupled, 50 ft (HNLD5 models)	1
6†		BEARING, needle, swivel side (not shown)	1	24C989		HOSE, coupled, 30 ft (HNLE3 models)	1
7†		WASHER, flat, spring side	1	24C990		HOSE, coupled, 75 ft (HNMC8 models)	1
8†		BEARING, needle, spring side (not shown)	1	24C991		HOSE, coupled, 50 ft (HNMD5 models)	1
9†		FLANGE, set, black	1	24C992		HOSE, coupled, 75 ft (HNPB8 models)	1
10†		SPRING, power, 21 turn (not shown)	1	32	186580	NUT, hex (HNHC5, HNHCF, HNLC8, HNSMC,8, HNPB8, HNPC5, HNHB7 models)	1
11†		COVER, spring, black (not shown)	1	15Y905		NUT, hex (HNLD5, HNLE3, HNMD5, and HNMDD models)	1
12†		GASKET (not shown)	1	33	104541	NUT, lock	8
14	15Y122	ADJUSTER, power spring	1	40♣		NUT, lock, hex (not shown)	1
15	277867	WASHER, flat, square center	1	41♣		BUSHING, pawl (not shown)	1
16	15U581	WASHER, flat 31 id	1	42♣		KIT, pawl, ratchet	1
17	16A719	WASHER, flat	1	43♣		BOLT, m10 x 40 lg	1
18	278151	SCREW, swivel shaft	1	44♣		SPRING, sst	1
19	107100	SCREW, cap	2	46▲	15W036	LABEL, Warning	1
20†♣		PACKING, o-ring	2	48♣		SCREW, button head m6	4
21†♣		RING, backup l	2	49✓	218341	STOP, hose (HNHC5, HNLC8, HNMC8, HNPB8, HNPC5, HNHB7 models)	2
22†		SWIVEL, elbow	1	237873		STOP, hose (HNLD5 and HNMD5 models)	2
23	155470	FITTING, swivel, union (HNHC5, HNLC8, HNMC8, HNHCD, HNPC5 models)	1	237874		STOP, hose (HNLE3 models)	2
	160327	FITTING, swivel, union (HNLD5, HNLE3, HNMD5, and HNMDD models)	1	50✓		SCREW, mach, phil, pn hd	2
	161037	FITTING, swivel, union (HNFFA, HNPB8, HNHB7 models)	1	51✓		NUT, hex, jam	2
24	16A146	BASE, painted, all models white	1	59♣		RATCHET, Aluminum	1
	16A147	BASE, painted, all models metallic blue	1	60##		ASSEMBLY, high pressure swivel (HSHC5, HSHFF, HSPB8, HSHCD, HSHB7, HSPC5)	1
	16A148	BASE, painted, all models yellow	1				
	16A149	BASE, painted, all models desert sand	1				
25	15U448	RING, retaining, ext, 22mm	1				
26	16A134	PEDESTAL, arm, swivel side, all models white	1				
	16A135	PEDESTAL, arm, swivel side, all models metallic blue	1				
	16A136	PEDESTAL, arm, swivel side, all models, yellow	1				
	16A137	PEDESTAL, arm, swivel side, all models desert sand	1				
27	16A691	SCREW, socket head	2				
28	24C986	HOSE, coupled, 50 ft (HNHC5 models)	1				

▲ Replacement Danger and Warning labels, tags and cards are available at no cost.

† Included in Low / Medium Pressure Swivel and Seal Replacement Kit 24C993 - 1/2 in., 24C994 - 3/4 in.

Ref. No. Part No. Description
 ♣ *Included in Ratchet and Latch Replacement Kit 24C995*
 ‡ *Included in Spool Replacement Kit 24C998*
 ✓ *Included in Hose Stop Replacement Kit 218341, 237873 or 237874*

Ref. No. Part No. Description Qty
 ♣ *Included in Low / Medium Pressure Swivel Seal Replacement Kit 24D134*
 ## *Included in High Pressure Swivel Assembly Kit 128920*



Hose Inlet Kits

Part No.	Max Working Pressure		Hose I.D.		Hose Inlet	Hose Length		Fitting
	psi	bar	in.	mm		in.	mm	
218549	2000	137	0.5	12	npt(m)	24	610	90° swivel union
24E283	5000	345						
24E284	1250	86	0.75	19				90° union
24E285	125	8.6	1.0	25				

Technical Data

Model No.	Application	Hose Size	Maximum Pressure			Inlet (NPSM)	Outlet (NPT)
			PSI	Bar	Mpa		
HSHC5# HNHC5#	Grease	1/2 in. x 50 ft. (12.7 mm x 1524 cm)	5000	345	34.5	1/2 in.	1/2 in.
HSHFF# HNHFF#	Bare	N/A	5000	345	34.5	1/2 in.	3/8 in.
HSLC8# HNL8#	Air / Water	1/2 in. x 80 ft. (12.7 mm x 2438.4 cm)	300	20.7	2.07	1/2 in.	1/2 in.
HSLD5# HNLD5#	Air / Water	3/4 in. x 50 ft. (19.05 mm x 1524 cm)	300	20.7	2.07	3/4 in.	3/4 in.
HSLE3# HNLE3#	Fuel/Evacuation	1 in. x 30 ft. (25.4 mm x 914.4 cm)	125	8.6	0.86	3/4 in.	1 in.
HSMC8# HNMC8#	Oil	1/2 in. x 80 ft. (12.7 mm x 2338.4 cm)	1500	103.4	10.34	1/2 in.	1/2 in.
HSMD5# HNMD5#	Oil	3/4 in. x 50 ft. (19.05 mm x 1524 cm)	1250	86	86.0	3/4 in.	3/4 in.
HSMDD# HNMD5#	Bare	NA	2000	138	13.8	3/4 in.	3/4 in.
HSPB8# HNPB8#	Pressure Washer	3/8 in. x 80 ft. (9.5 mm x 2438.4 cm)	4000	275	27.5	1/2 in.	3/8 in.
HSHCD# HNHCD#	Bare	NA	5000	345	34.5	1/2 in.	1/2 in.
HSMCF# HNDCF#	Bare	NA	2000	138	13.8	1/2 in.	1/2 in.
HSHB7# HNHB7#	Grease	3/8 x 75 ft (9.5 mm x 2286 cm)	5000	345	34.5	1/2 in.	3/8 in.
HSPC5# HNPC5#	Air / Water	1/2 x 50 ft (12.7 mm x 1524 cm)	4500	310	31.0	1/2 in.	1/2 in.

Maximum Dry Weight (without hose)

HS Models: 98 lbs (44.5 kg)
 HN Models: 64 lbs (29.0 kg)

Sound Data all models:

Sound Pressure - 85.8 dB(A) calculated at 1 meter per ISO9614.2
 Sound Power - 94.9 dB(A) measured per ISO 9614-2

Wetted Parts

Models: HSL, HSM, HNL, and HNM	Nickel Plated Carbon Steel, Aluminum, Buna N Rubber, UHMWPE
Models: HSH, HSP, HNH, and HNP	Nickel Plated Stainless Steel, Buna N Rubber, UHMWPE

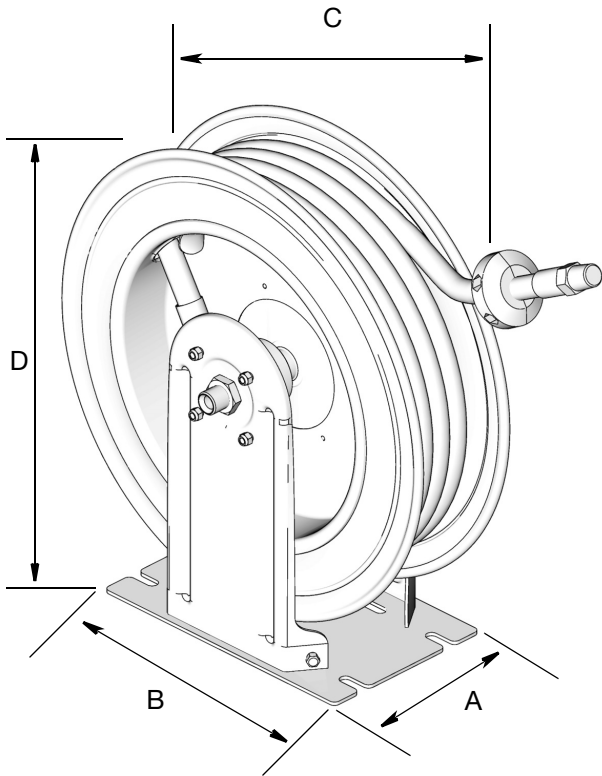
California Proposition 65

CALIFORNIA RESIDENTS

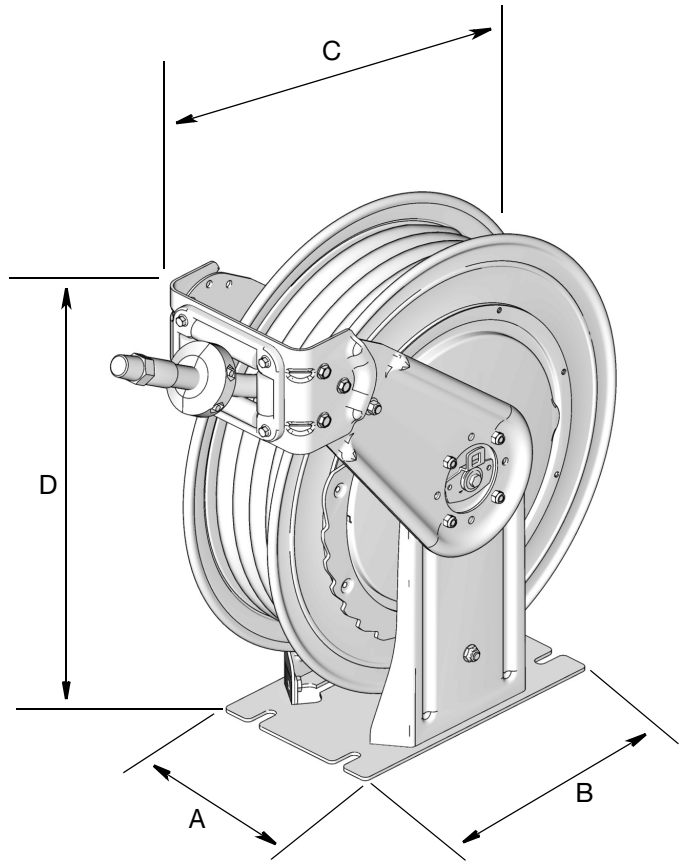
 **WARNING:** Cancer and reproductive harm – www.P65warnings.ca.gov.

Dimensions

HN Models

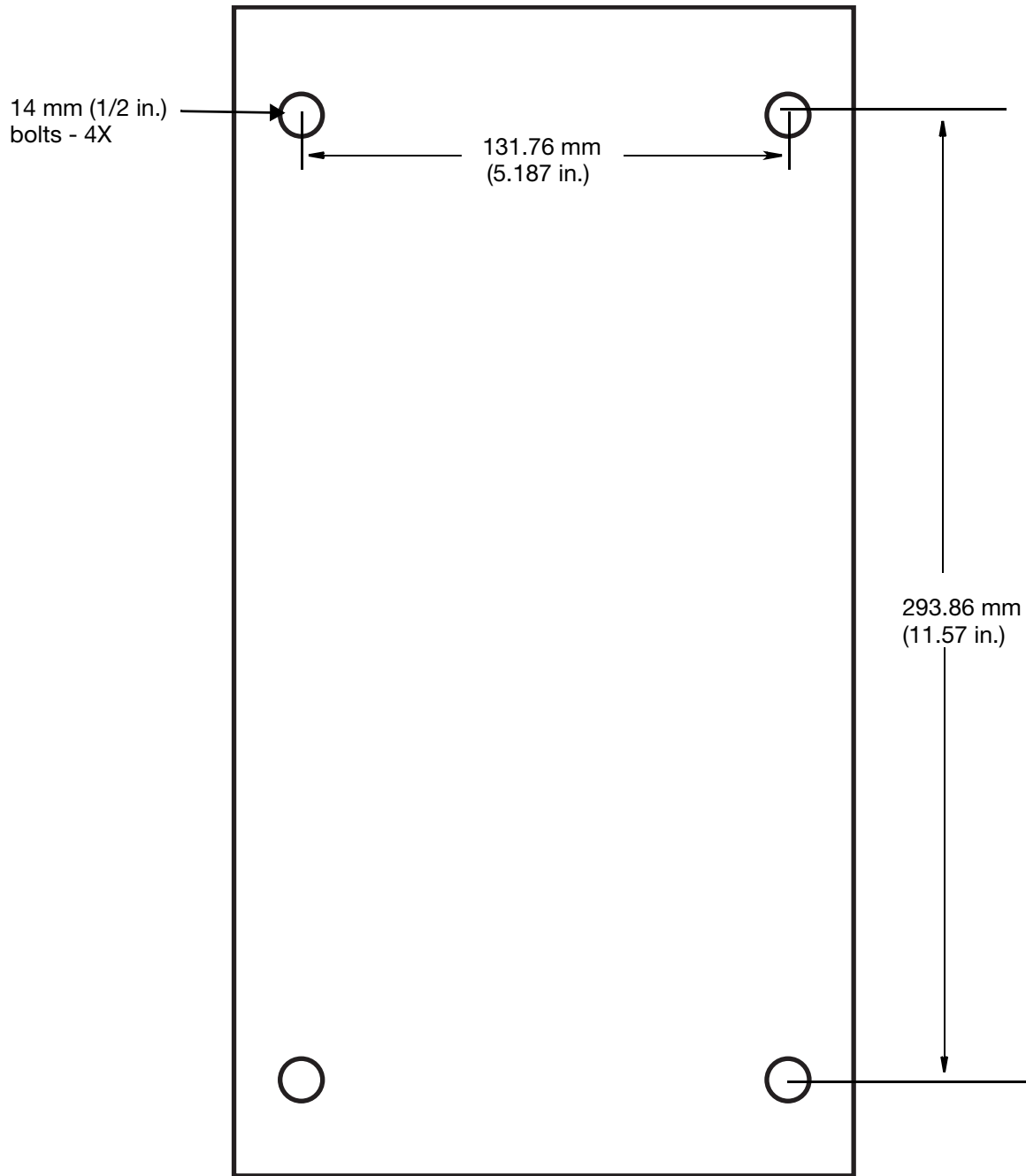


HS Models



Model	A	B	C	D
HN	229 mm (9.0 in.)	350 mm (13.77 in.)	546 mm (21.5 in.)	588.00 mm (23.10 in.)
HS	229 mm (9.0 in.)	350 mm (13.77 in.)	561.73 mm (22.12 in.)	588.00 mm (23.10 in.)

Mounting Pattern



Graco 7-Year Hose Reel Warranty

Graco warrants all equipment referenced in this document which is manufactured by Graco and bearing its name to be free from defects in material and workmanship on the date of sale to the original purchaser for use. With the exception of any special, extended, or limited warranty published by Graco, Graco will, for a period from the date of sale as defined in the table below from the date of sale, repair or replace equipment covered by this warranty and determined by Graco to be defective. This warranty applies only when the equipment is installed, operated and maintained in accordance with Graco's written recommendations.

Graco 7-Year Hose Reel Extended Warranty	
Component	Warranty Period
Structural Components	7 years
Power Spring	3 years
Wear Parts - including but not limited to hose, seals, swivel seats and roller guides	1 year
Bare reels - all components	1 year

This warranty does not cover, and Graco shall not be liable for general wear and tear, or any malfunction, damage or wear caused by faulty installation, misapplication, abrasion, corrosion, inadequate or improper maintenance, negligence, accident, tampering, or substitution of non-Graco component parts. Nor shall Graco be liable for malfunction, damage or wear caused by the incompatibility of Graco equipment with structures, accessories, equipment or materials not supplied by Graco, or the improper design, manufacture, installation, operation or maintenance of structures, accessories, equipment or materials not supplied by Graco.

This warranty is conditioned upon the prepaid return of the equipment claimed to be defective to an authorized Graco distributor for verification of the claimed defect. If the claimed defect is verified, Graco will repair or replace free of charge any defective parts. The equipment will be returned to the original purchaser transportation prepaid. If inspection of the equipment does not disclose any defect in material or workmanship, repairs will be made at a reasonable charge, which charges may include the costs of parts, labor, and transportation.

THIS WARRANTY IS EXCLUSIVE, AND IS IN LIEU OF ANY OTHER WARRANTIES, EXPRESS OR IMPLIED, INCLUDING BUT NOT LIMITED TO WARRANTY OF MERCHANTABILITY OR WARRANTY OF FITNESS FOR A PARTICULAR PURPOSE.

Graco's sole obligation and buyer's sole remedy for any breach of warranty shall be as set forth above. The buyer agrees that no other remedy (including, but not limited to, incidental or consequential damages for lost profits, lost sales, injury to person or property, or any other incidental or consequential loss) shall be available. Any action for breach of warranty must be brought within one (1) year past the warranty period or two (2) years for all other parts.

GRACO MAKES NO WARRANTY, AND DISCLAIMS ALL IMPLIED WARRANTIES OF MERCHANTABILITY AND FITNESS FOR A PARTICULAR PURPOSE, IN CONNECTION WITH ACCESSORIES, EQUIPMENT, MATERIALS OR COMPONENTS SOLD BUT NOT MANUFACTURED BY GRACO. These items sold, but not manufactured by Graco (such as electric motors, switches, hose, etc.), are subject to the warranty, if any, of their manufacturer. Graco will provide purchaser with reasonable assistance in making any claim for breach of these warranties.

In no event will Graco be liable for indirect, incidental, special or consequential damages resulting from Graco supplying equipment hereunder, or the furnishing, performance, or use of any products or other goods sold hereto, whether due to a breach of contract, breach of warranty, the negligence of Graco, or otherwise.

FOR GRACO CANADA CUSTOMERS

The Parties acknowledge that they have required that the present document, as well as all documents, notices and legal proceedings entered into, given or instituted pursuant hereto or relating directly or indirectly hereto, be drawn up in English. Les parties reconnaissent avoir convenu que la rédaction du présente document sera en Anglais, ainsi que tous documents, avis et procédures judiciaires exécutés, donnés ou intentés, à la suite de ou en rapport, directement ou indirectement, avec les procédures concernées.

Graco Information

For the latest information about Graco products, visit www.graco.com.

TO PLACE AN ORDER, contact your Graco distributor or call to identify the nearest distributor.

Phone: 612-623-6928 or **Toll Free:** 1-800-533-9655, **Fax:** 612-378-3590

Graco reserves the right to make changes at any time without notice.

For patent information, see www.graco.com/patents.

Original instructions. This manual contains English. MM 3A0138

Graco Headquarters: Minneapolis

International Offices: Belgium, China, Japan, Korea

GRACO INC. AND SUBSIDIARIES • P.O. BOX 1441 • MINNEAPOLIS MN 55440-1441 • USA

Copyright 2009, Graco Inc. All Graco manufacturing locations are registered to ISO 9001.

www.graco.com

Revision K, January 2024