

UniXact[®] Automated Jet Dispense System

3A6674F

EN

*For non-contact dispensing of viscous material in industrial environments.
For professional use only.*

Models: B300 and B300 HM

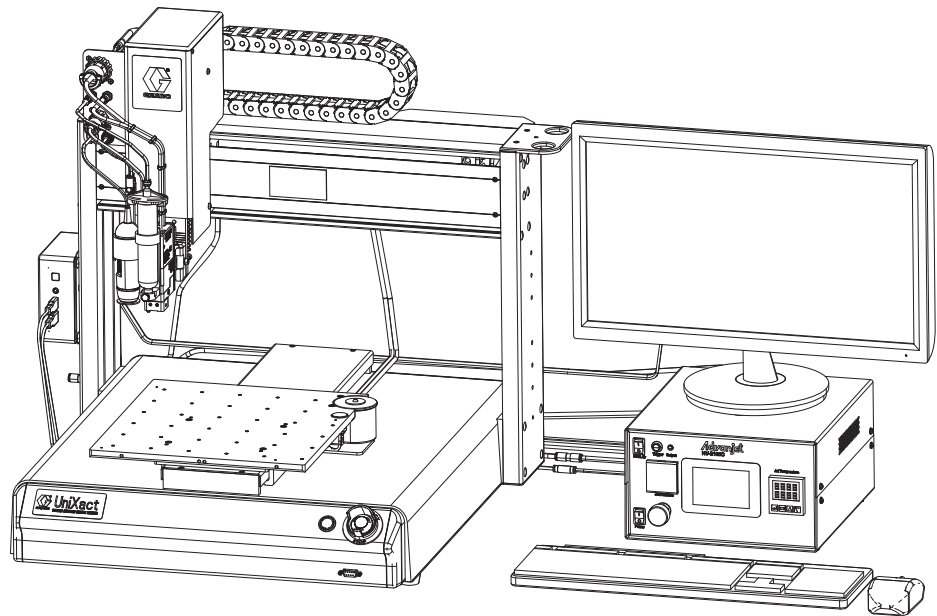
See page 3 for additional model information.

100 psi (0.69 MPa, 6.9 bar) Maximum Working Pressure



Important Safety Instructions

Read all warnings and instructions in this manual and in all related manuals before using the equipment. Save all instructions.



Contents

Related Manuals	3
Models	3
Parts	4
B300 Base System	4
B300 System Power Cord Kits	7
B300 Setup Kit	7
B300 Table Module	8
Prime and Purge Module, 25E275	10
Camera and Height Sensor Module	11
X-Axis Rear Panel Module	12
Computer, Monitor, Keyboard/Mouse Module, 25E276	13
Jet Valves	14
Controllers	15
Accessories	16
Laser Modules	16
Hard Purge Tip Assembly	17
California Proposition 65	17
Graco Standard Warranty	18

Related Manuals

System Manuals	
Part	Description
3A6244	HV-2100 Jet - Setup and Operation
3A6226	HV-2100C Jet Controller - Setup and Operation
3A6327	HM-2600 Jet - Setup and Operation
3A6166	HM-2600C Jet Controller - Setup and Operation
3A5937	Jet Dispensing Parameters Supplement
3A5914	UniXact Automated Jet Dispensing System - Software
3A5913	UniXact Automated Jet Dispensing System - Installation

Models

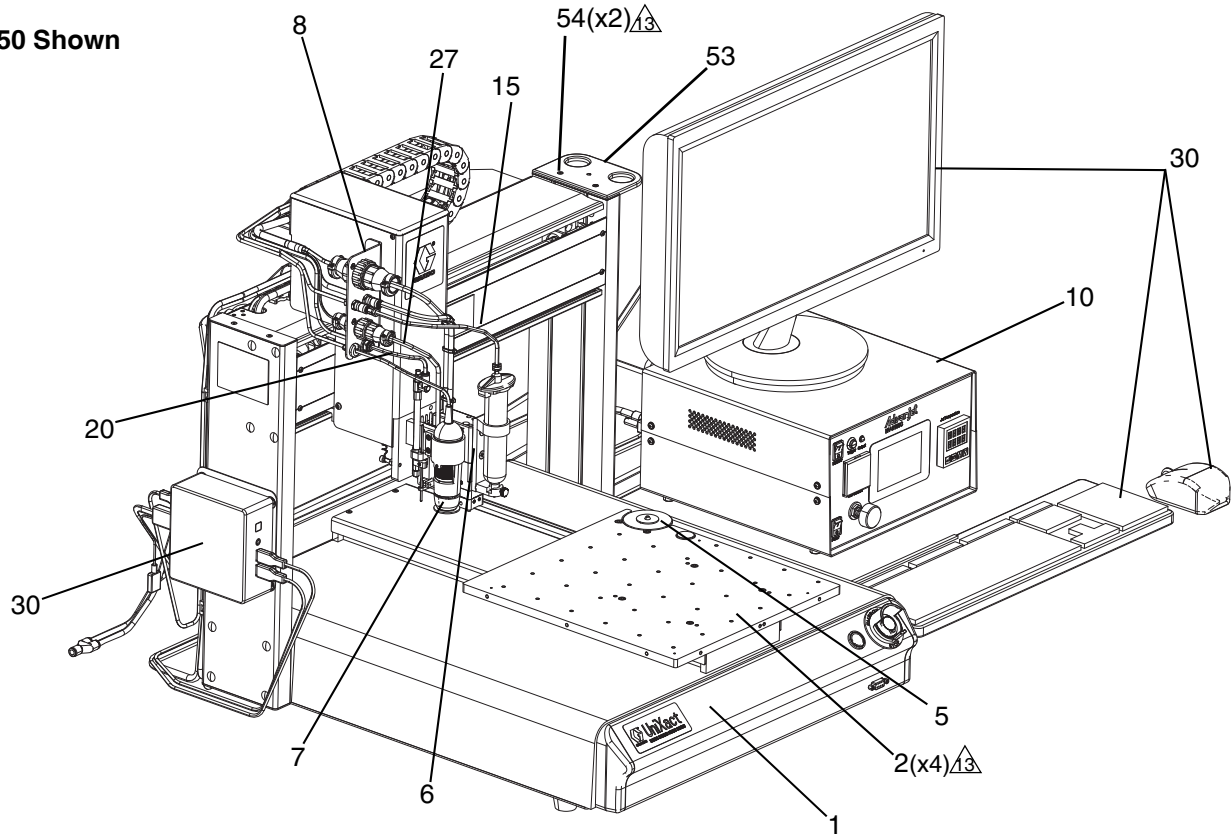
Model	Part No.	Description
B300	25B350	System, B300, HV2100, 30 cc
	25B351	System, B300, HV2100, 30 cc, heated feed
	25B352	System, B300, HV2100, 6 oz, heated feed
B300 HM	25B353	System, B300, HM2600, 30 cc

NOTE: B300 is used in this manual to represent both the B300 and B300 HM.

Parts

B300 Base System

25B350 Shown



Δ_{13} Apply blue sealant to threads.

FIG. 1: System Front View

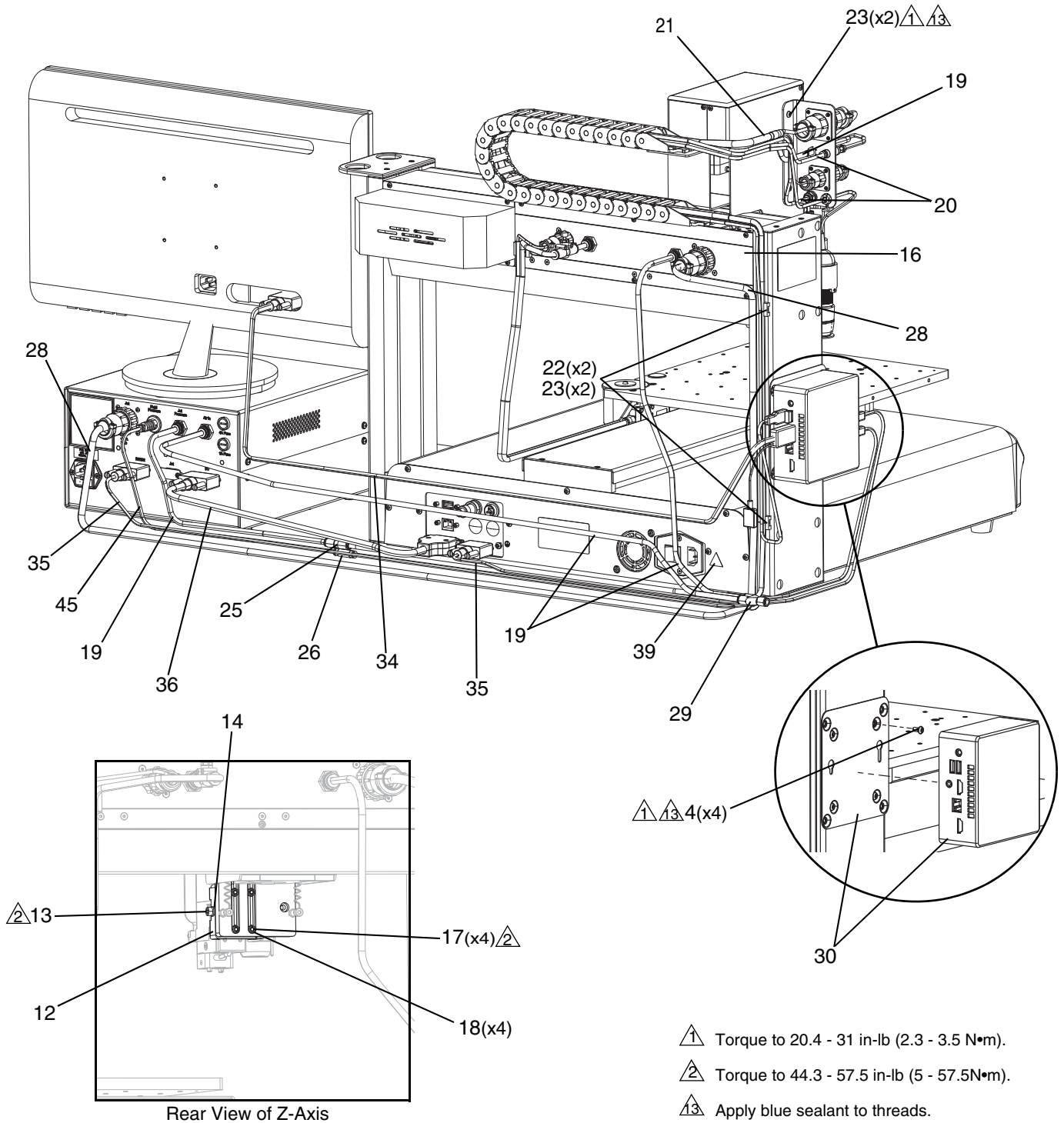


FIG. 2: System Rear Views

B300 Base System Parts List

Ref	Part	Description	Qty	25B350	25B351	25B352	25B353
				✓	✓	✓	✓
1	---	MODULE, b-300, table.	1	✓	✓	✓	✓
2	130654	SCREW, set, bp, st, m4 x 0.7 x 8 mm	4	✓	✓	✓	✓
4	130645	SCREW, shbs, m4 x 0.7 x 8 mm, sst	8	✓	✓	✓	✓
5	25E275	MODULE, prime and purge	1	✓	✓	✓	✓
6	25B310	VALVE, hv-2100, 30 cc	1	✓			
	25B311	VALVE, hv-2100, 30 cc, hf	1		✓		
	25B312	VALVE, hv-2100, 6 oz, hf,	1			✓	
	25B315	VALVE, hm-2600, 30 cc	1				✓
7	---	MODULE, camera, height sensor	1	✓	✓	✓	✓
8	---	MODULE, connector, panel	1	✓	✓	✓	✓
10	25B091	CONTROL BOX, hv-2100c, std	1	✓	✓	✓	
	25B084	CONTROL BOX, hm-2600c, std	1				✓
12	03-3003-00	CLAMP, dovetail, b3	1	✓	✓	✓	✓
13	130377	SCREW, shc, m4-0.7 x 40 mm, ss	1	✓	✓	✓	✓
14	131984	WASHER, metric, m4, flat, sst	1	✓	✓	✓	✓
15	25E137	ADAPTER, syringe, 30/50 cc, b300	1	✓	✓		
	25E251	ADAPTER, syringe, 6 oz, b300	1			✓	
16	25E270	MODULE, panel, rear, x-axis	1	✓	✓	✓	✓
17	16K078	SCREW, cap, socket head	4	✓	✓	✓	✓
18	132162	NUT, hex, m4, sst	4	✓	✓	✓	✓
19	25P869	TUBE, 6 mm od x 4 mm id, pu, blk (15 ft)	1	✓	✓	✓	✓
20	25P868	TUBE, pu, 4 mm od x 2.4 mm id, clr (15 ft)	1	✓	✓	✓	✓
21	17E903	HARNESS, internal, i/o, unixact, b3	1	✓	✓	✓	✓
22	123452	HOLDER, anchor, wire tie, nylon	2	✓	✓	✓	✓
23	130664	SCREW, shbs, m4 x 0.7 x 6 mm, sst	4	✓	✓	✓	✓
24	84/0021/89*	TIE, wrap, 4 in., blk, nyl, perm	15	✓	✓	✓	✓
25	130364	FITTING, tube, 6 mm x 6 mm	1	✓	✓	✓	✓
26	125419	FITTING, union, push in, 5/32 tube	1	✓	✓	✓	✓
27	17E904	HARNESS, sensor, height, unixact, b3	1	✓	✓	✓	✓
28	06-1081-00	HARNESS, extension, i/o, b300	1	✓	✓	✓	✓
29	130443	ADAPTER, y, 6 mm, f x f x f	1	✓	✓	✓	✓
30	25E276	MODULE, computer, monitor, key/mouse	1	✓	✓	✓	✓
34	130740	HARNESS, vga/hdmi, hd15, mm, 6ft, blk	1	✓	✓	✓	✓
35	130742	CABLE, serial/usb, db9 x a, mm, 6ft	2	✓	✓	✓	✓
36	06-1028-00	CABLE, adapter, 26 p	1	✓	✓	✓	✓
39	189930▲	LABEL, caution, electrical shock	1	✓	✓	✓	✓
45	25E156	ADAPTER, tubing, controller, hm/hv	1	✓	✓	✓	✓
53	---	PLATE, syringe holder, 30 cc	1	✓	✓	✓	✓
54	---	SCREW, fhsc, m3-0.5 x 12, ss	2	✓	✓	✓	✓

--- Not available for individual sale.

* Not shown.

▲ Replacement safety labels, tags, and cards are available at no cost.

B300 System Power Cord Kits

25E557 - For the Table Module, Monitor, or Controller (Not Shown)

Part	Description	Quantity
---	CORD SET, us, mx, pr, ca, tw, 115 v, 10 a	1
---	CORD SET, fr, ger, is, nl, no, tr, 250 v	1
---	CORD SET, adptr, australia, 8 ft lg	1

25E758 - For the Computer (Not Shown)

Part	Description	Quantity
---	CORD SET, adapter, n america, 320-c5	1
---	CORD SET, adapter, con europe, 320-c5	1
---	CORD SET, adapter, australia, 320-c5	1

--- Not available for individual sale.

B300 Setup Kit

25E797 (Not Shown)

Part	Description	Quantity
25E796	KIT, alignment putty	1
03-3071-00	TOOL, spacer, camera, 23.5 mm	1
25P870	CUP, plastic 1 oz (qty 10)	1
03-4010-00	PROBE, height sensor	1

B300 Table Module

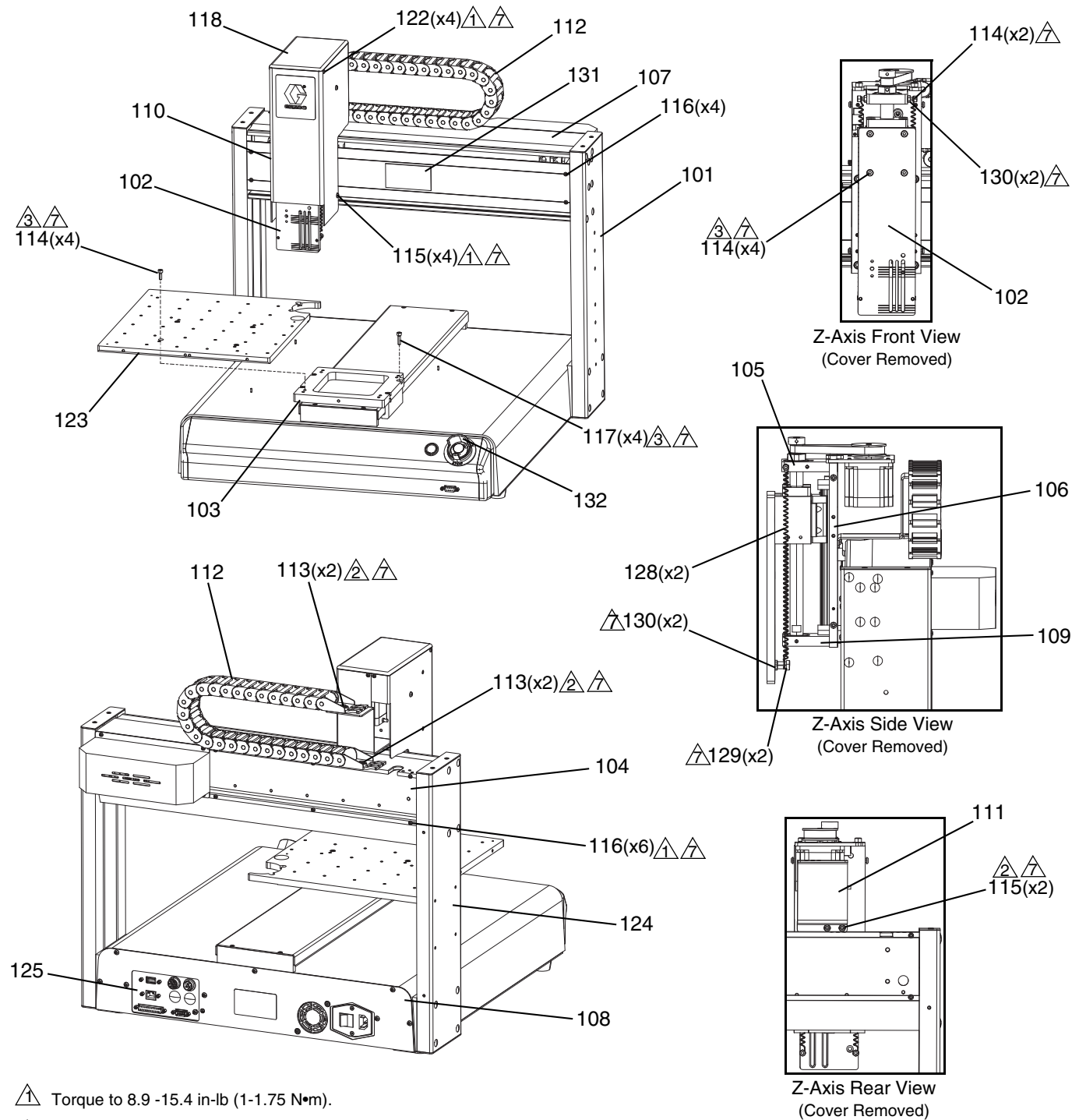


FIG. 3: B-300 Table Parts

B300 Table Module Parts List

Ref	Part	Description	Quantity
101	---	TABLE, b-series, servo	1
102	17Y199	PLATE, mtg, zaxis	1
103	03-3006-00	BRACKET, spacer, yaxis	1
104	---	PANEL, xaxis, rear, mod	1
105	17Y209	PLATE, support, top, zaxis, mod	1
106	17Y210	PLATE, bearing, linear, zaxis, mod	1
107	---	SUPPORT, xaxis, mod	1
108	---	PANEL, system, rear, mod	1
109	17Y211	PLATE, support, btm, zaxis, mod	1
110	17Y203	COVER, main, zaxis	1
111	17Y204	BRACKET, cable track	1
112	17Y205	CABLE, track, cps	1
113	130854	SCREW, lshcs, m4-0.7 x 6, ss	4
114	115263	SCREW, cap, socket head	10
115	130645	SCREW, shbs, m4 x 0.7 x 8 mm, sst	7
116	130646	SCREW, shbs, m3 x 0.5 x 8 mm, sst	10
117	16K078	SCREW, cap, socket head	4
118	17Y212	CAP, top, zaxis	1
119	111119❖	SCREW, valve	1
120	---❖	SPACER, shipping, zaxis	1
121	02-3039-00❖	BRACKET, shipping, xy-axis	2
122	130668	SCREW, shbs, m3 x 0.5 x 6 mm, sst	4
123	17Y206	PLATE, tooling	1
124	---	SUPPORT, rise, xaxis, left, mod	1
125	---	BRACKET, bottom, table, mod	1
128	17W849	SPRING, extension, zaxis	2
129	116474	SCREW, shcs, m4 x 20	2
130	132162	NUT, hex, m4, sst	4
131	132125▲	LABEL, safety	1
132	132126	GUARD, emergency button	1

--- Not available for individual sale.

❖ Not shown; for shipping purposes only. Refer to the UniXact Automated Jet Dispensing System Installation manual 3A5913 for information about removing these parts. See **Related Manuals** on page 3.

▲ Replacement safety labels, tags, and cards are available at no cost.

Prime and Purge Module, 25E275

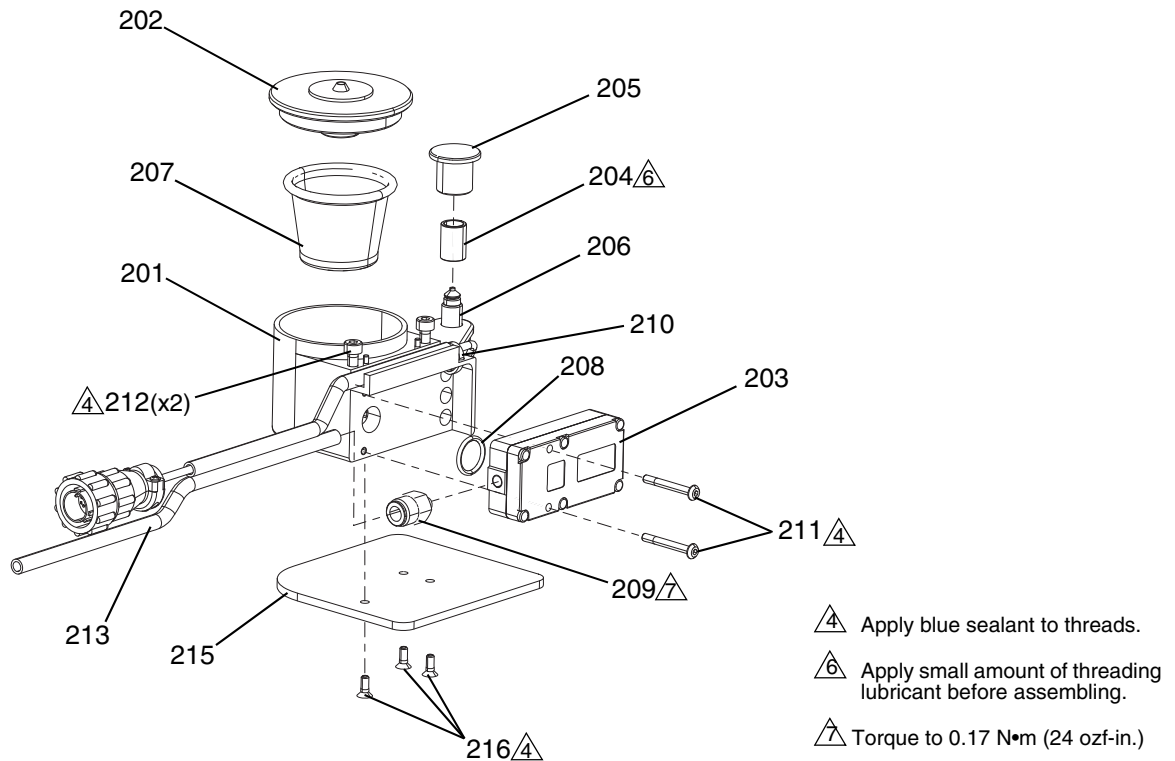


FIG. 4: Prime and Purge Module Parts

Ref	Part	Description	Quantity
201	03-3012-00	CUP, purge	1
202	09-3080-03	TIP, assy, hard, 3 mm, unixact, b3	1
203	130651	PUMP, vacuum, mini, vortex	1
204	03-3011-00	BUSHING, switch, cap	1
205	03-3010-00	CAP, tactile	1
206	17E905	HARNESSES, switch, contact, micron, b3	1
207	130652	CUP, plastic, 1 oz	1
208	103610	PACKING, o-ring	1
209	132159	FITTING, straight, m5, 6 mm, tubing	1
210	84/0021/89	TIE, wrap, 4 in., blk, nyl, perm	1
211	130650	SCREWS, shbs, m3 x 0.5 x 25 mm, sst	2
212	115263	SCREWS, cap, socket head	2
213	17E906	TUBE, dual, station, service, b3	1
215	03-4041-00	PLATE, guard, purge station	1
216	131933	SCREWS, fhsc, m3-0.5 x 8, ss	3

Camera and Height Sensor Module

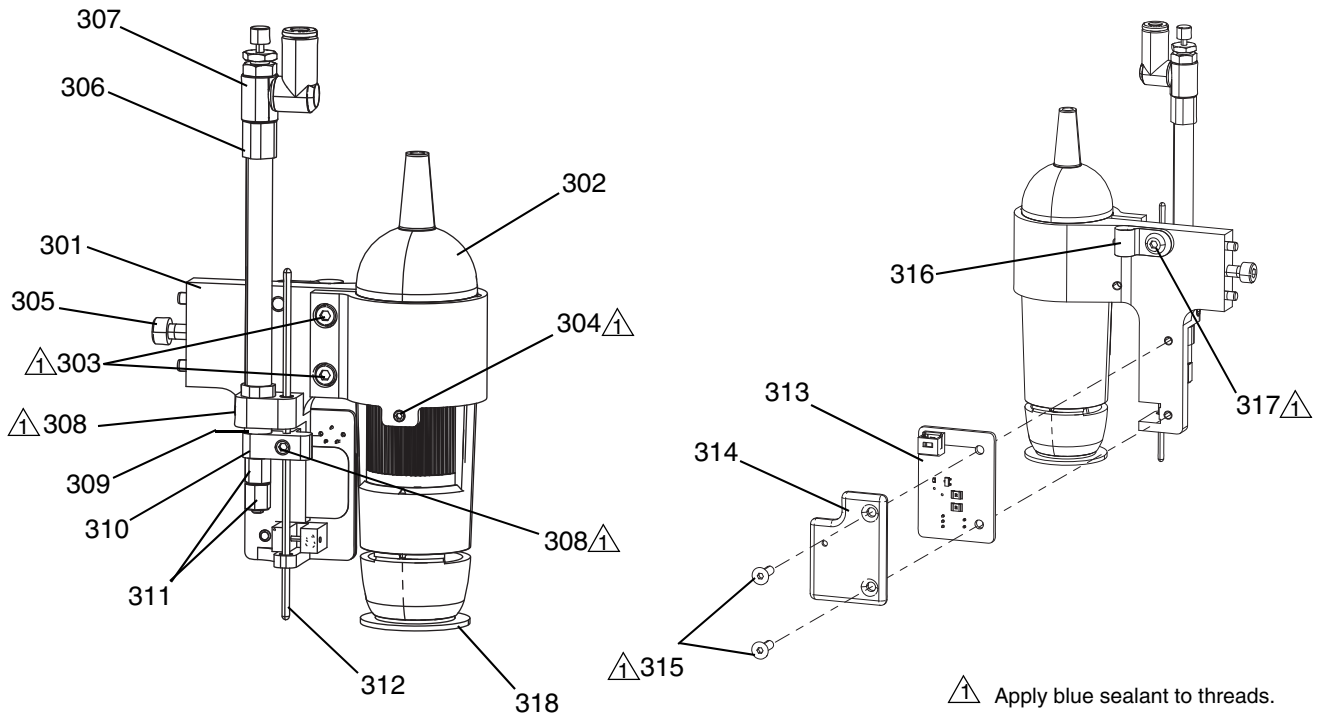


FIG. 5: Camera and Height Sensor Parts

Ref	Part	Description	Quantity
301	09-4008-00	BRACKET, assy, camera, height sensor	1
302	130683	CAMERA, microscope	1
303	130666	SCREW, shc, m3 x 0.5 x 12 mm, sst	2
304	130696	SCREW, shs, m3 x 0.5 x 6 mm, flt pt, sst	1
305	16K078	SCREW, cap, socket head	1
306	131878	CYLINDER, air, 6 mm x 30 mm, stroke, sa, sr	1
307	131879	FITTING, elbow, swivel, m5 x 4 mm, fc	1
308	131880	SCREW, set, m4-0.7 x 3, flat pt, ss	2
309	130672	WASHER, flat, 5,.130 x .285 x .07, nyl	1
310	09-4009-00	BRACKET, assy, flag, probe	1
311	131877	SPACER, m3f, 6 mm hex, 7 mm l, plastic	2
312	03-4010-00	PROBE, height, sensor	1
313	25E533	MODULE, gca, height sensor	1
314	17Y887	COVER, pca	1
315	131931	SCREW, fhms, m3-0.5 x 10, ss	2
316	130669	CLAMP, cable, .188 id, nylon	1
317	130665	SCREW, shbs, m4 x 0.7 x 10 mm, sst	1
318	131874	DIFFUSER, lighting, camera	1

X-Axis Rear Panel Module

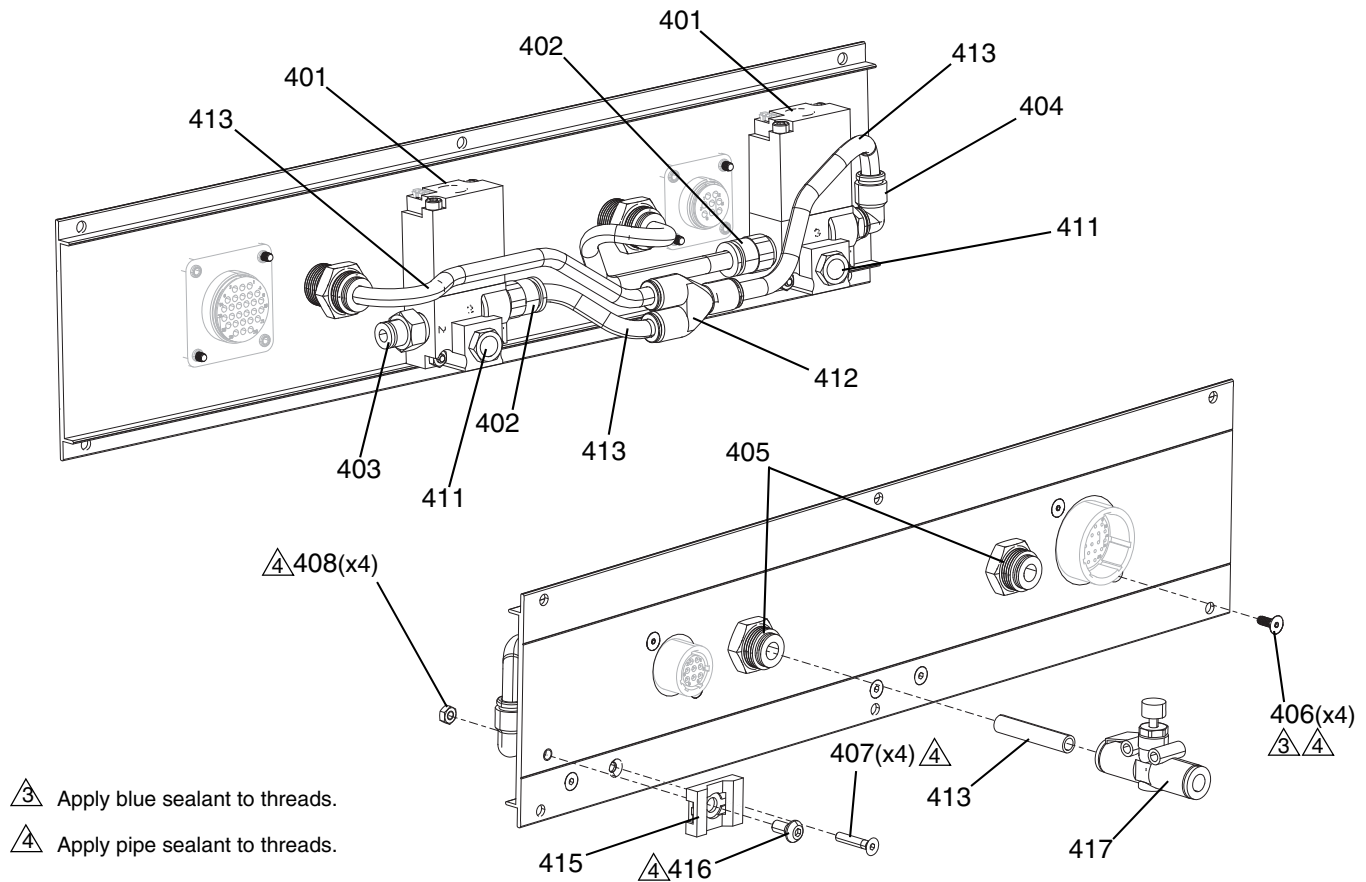


FIG. 6: Rear Panel Parts

Ref	Part	Description	Quantity
401	60-2220	VALVE, power, 3/2, 24 vdc, 1.8w	2
402	120538	FITTING, tube, 1/8 npt x 6 mm tube	2
403	114263	FITTING, connector, male	1
404	129377	FITTING, elbow, swvl, 1/8 npt x 6 mm tub	1
405	60-2250	FITTING, bulkhead, 6 mm, f x f	2
406	96/0575/98	SCREW, fhsc, 4-40 x .31, ss	4
407	130861	SCREW, fhsc, m3 x 0.5 x 16 mm, sst	4
408	125104	NUT, hex, m3	4
411	565198	VENT, breather	2
412	130443	ADAPTER, y, 6 mm, f x f x f	1
413	25P869	TUBE, 6 mm od x 4 mm id, pu, blk (3 ft)	1
415	123452	HOLDER, anchor, wire tie, nylon	1
416	130645	SCREW, shbs, m4 x 0.7 x 8 mm, sst	1
417	130698	VALVE, flow control, air, ptc, 6 mm	1

Computer, Monitor, Keyboard/Mouse Module, 25E276

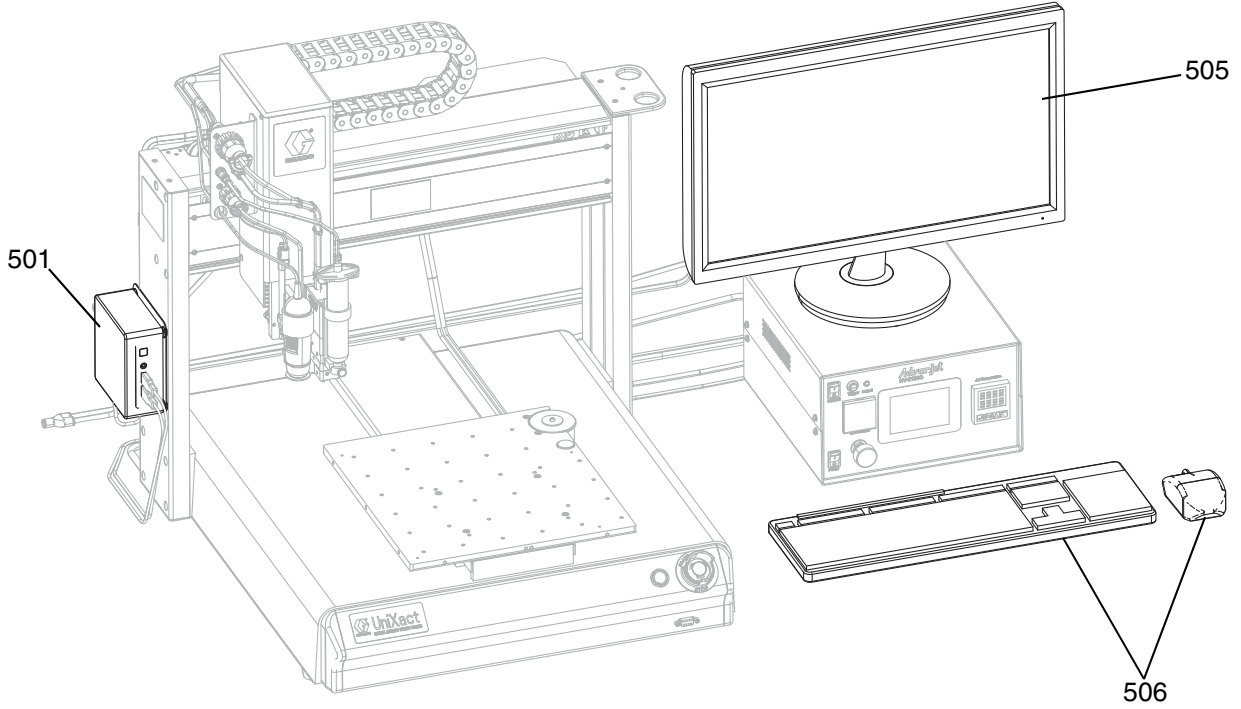


FIG. 7: Computer, Monitor, Keyboard, and Mouse

Ref	Part	Description	Quantity
501	25P950	KIT, computer	1
505	---	MODULE, monitor, 19.5 in., 16:9, color	1
506	---	MODULE, keyboard/mouse, wireless	1

--- Not available for individual sale.

Jet Valves

There are two jet valve options available with the UniXact B300 system: Models HV-2100 and HM-2600.

The HV-2100 jet valve has three different part configurations. The corresponding part numbers for these models are as follows:

Valve Model No.	Valve Part No.
HV-2100	25B310
	25B311
	25B312
HM-2600	25B315

The valves are shown below in Figure 8. For additional information about these valves, refer to the appropriate manual for the jet valve you are using as shown in **Related Manuals** on page 3.

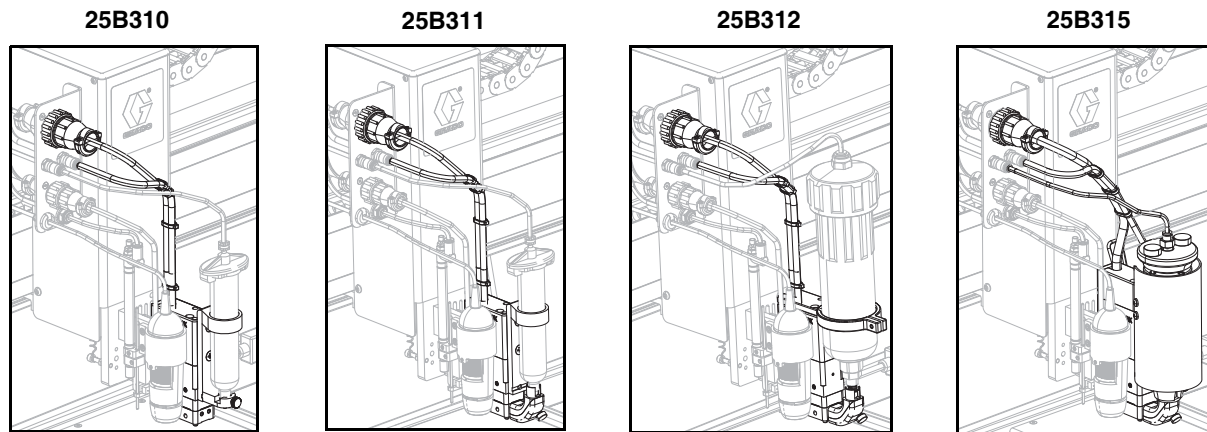


FIG. 8: Jet Valve Options

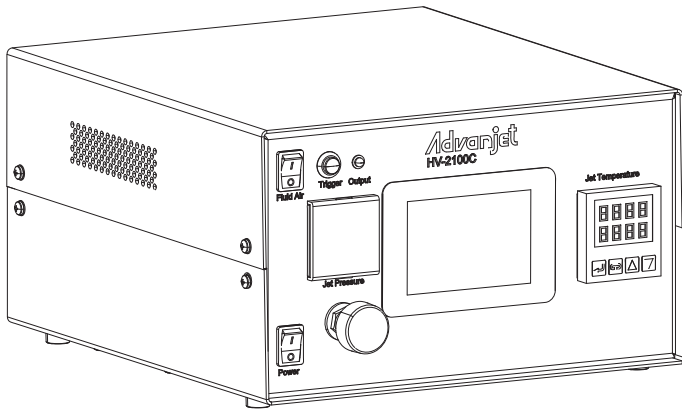
Controllers

There are two controllers available with the UniXact B300 system depending on the configuration of the system you are using. The model numbers for these controllers are HV-2100C and HM-2600C. The corresponding part numbers are as follows:

The two controllers are shown below in Figure 9. For additional information about these controllers, refer to the appropriate manual for the controller you are using as shown in **Related Manuals** on page 3.

Controller Model No.	Controller Part No.
HV-2100C	25B091
HM-2600C	25B084

25B091



25B084

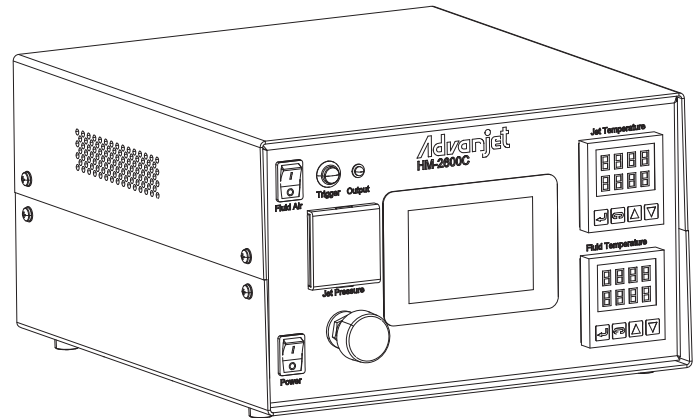


FIG. 9: HV-2100C and HM-2600C Controllers

Accessories

Laser Modules

Part no. 09-4042-00 is an upgrade kit for installing the laser height sensor in place of the mechanical height sensor, keeping the existing camera.

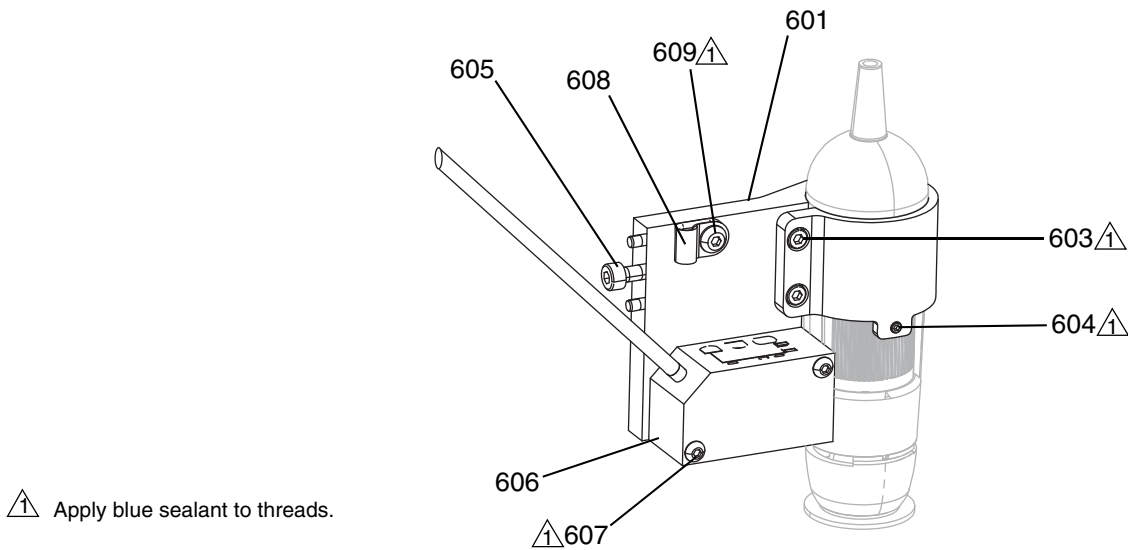


FIG. 10: Laser Modules

Ref	Part	Description	Quantity
601	09-4012-00	BRACKET, assy, camera, laser hs	1
603	130666	SCREW, shc, m3 x 0.5 x 12 mm, sst	2
604	130696	SCREW, shs, m3 x 0.5 x 6 mm, flt pt, sst	1
605	16K078	SCREW, cap, socket head	1
606	06-4013-00	SENSOR, assy, laser hs	1
607	131910	SCREW, bhcs, m3-0.5 x 25, ss	2
608	131904	CLAMP, cable, 1/8 dia, nylon, black	1
609	130665	SCREW, shbs, m4 x 0.7 x 10 mm, sst	1
612	131970*	PLUG, 4 mm fitting	1

* Not shown.

Hard Purge Tip Assembly

The hard purge tip assembly for the prime and purge module is available in three sizes. The 3 mm tip assembly (part no. 03-3080-03) is standard. See the parts table below for part numbers for the 6 mm and 10 mm tip assemblies.

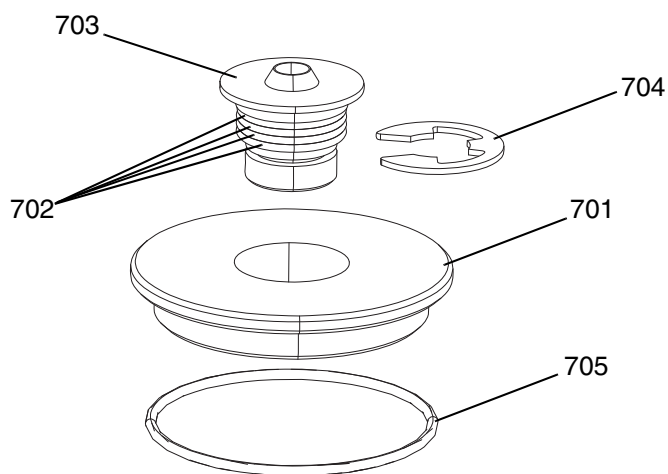


FIG. 11: Hard Purge Tip Assembly

Ref	Part	Description	Quantity		
			09-3080-03	09-3080-06	09-3080-10
701	03-3085-00	LID, cup, purge, hard tip	1	1	1
702	130773	PACKING, o-ring, 016, sil, 50 d	4	4	4
703	03-3080-03	TIP, purge, 3 mm, unixact, b3	1		
	03-3080-06	TIP, purge, 6 mm, unixact, b3		1	
	03-3080-10	TIP, purge, 10 mm, unixact, b3			1
704	130774	RING, retaining, e-ring, .625 od	1	1	1
705	111178	PACKING, o-ring	1	1	1

California Proposition 65

CALIFORNIA RESIDENTS

⚠ WARNING: Cancer and reproductive harm – www.P65warnings.ca.gov.

Graco Standard Warranty

Graco warrants all equipment referenced in this document which is manufactured by Graco and bearing its name to be free from defects in material and workmanship on the date of sale to the original purchaser for use. With the exception of any special, extended, or limited warranty published by Graco, Graco will, for a period of twelve months from the date of sale, repair or replace any part of the equipment determined by Graco to be defective. This warranty applies only when the equipment is installed, operated and maintained in accordance with Graco's written recommendations.

This warranty does not cover, and Graco shall not be liable for general wear and tear, or any malfunction, damage or wear caused by faulty installation, misapplication, abrasion, corrosion, inadequate or improper maintenance, negligence, accident, tampering, or substitution of non-Graco component parts. Nor shall Graco be liable for malfunction, damage or wear caused by the incompatibility of Graco equipment with structures, accessories, equipment or materials not supplied by Graco, or the improper design, manufacture, installation, operation or maintenance of structures, accessories, equipment or materials not supplied by Graco.

This warranty is conditioned upon the prepaid return of the equipment claimed to be defective to an authorized Graco distributor for verification of the claimed defect. If the claimed defect is verified, Graco will repair or replace free of charge any defective parts. The equipment will be returned to the original purchaser transportation prepaid. If inspection of the equipment does not disclose any defect in material or workmanship, repairs will be made at a reasonable charge, which charges may include the costs of parts, labor, and transportation.

THIS WARRANTY IS EXCLUSIVE, AND IS IN LIEU OF ANY OTHER WARRANTIES, EXPRESS OR IMPLIED, INCLUDING BUT NOT LIMITED TO WARRANTY OF MERCHANTABILITY OR WARRANTY OF FITNESS FOR A PARTICULAR PURPOSE.

Graco's sole obligation and buyer's sole remedy for any breach of warranty shall be as set forth above. The buyer agrees that no other remedy (including, but not limited to, incidental or consequential damages for lost profits, lost sales, injury to person or property, or any other incidental or consequential loss) shall be available. Any action for breach of warranty must be brought within two (2) years of the date of sale.

GRACO MAKES NO WARRANTY, AND DISCLAIMS ALL IMPLIED WARRANTIES OF MERCHANTABILITY AND FITNESS FOR A PARTICULAR PURPOSE, IN CONNECTION WITH ACCESSORIES, EQUIPMENT, MATERIALS OR COMPONENTS SOLD BUT NOT MANUFACTURED BY GRACO. These items sold, but not manufactured by Graco (such as electric motors, switches, hose, etc.), are subject to the warranty, if any, of their manufacturer. Graco will provide purchaser with reasonable assistance in making any claim for breach of these warranties.

In no event will Graco be liable for indirect, incidental, special or consequential damages resulting from Graco supplying equipment hereunder, or the furnishing, performance, or use of any products or other goods sold hereto, whether due to a breach of contract, breach of warranty, the negligence of Graco, or otherwise.

FOR GRACO CANADA CUSTOMERS

The Parties acknowledge that they have required that the present document, as well as all documents, notices and legal proceedings entered into, given or instituted pursuant hereto or relating directly or indirectly hereto, be drawn up in English. Les parties reconnaissent avoir convenu que la rédaction du présente document sera en Anglais, ainsi que tous documents, avis et procédures judiciaires exécutés, donnés ou intentés, à la suite de ou en rapport, directement ou indirectement, avec les procédures concernées.

Graco Information

Sealant and Adhesive Dispensing Equipment

For the latest information about Graco products, visit www.graco.com.

For patent information, see www.graco.com/patents.

For customer service and technical assistance, e-mail info@advanjet.com

TO PLACE AN ORDER, contact your Graco distributor, go to www.graco.com, or call to identify the nearest distributor.

If calling from the USA: 1-800-333-4877

If calling from outside the USA: 0-1-760-294-3392

All written and visual data contained in this document reflects the latest product information available at the time of publication. Graco reserves the right to make changes at any time without notice.

Original instructions. This manual contains English. MM 3A6674

Graco Headquarters: Minneapolis

International Offices: Belgium, China, Japan, Korea

GRACO INC. AND SUBSIDIARIES • P.O. BOX 1441 • MINNEAPOLIS MN 55440-1441 • USA
Copyright 2019, Graco Inc. All Graco manufacturing locations are registered to ISO 9001.

www.graco.com
Revision F, February 2020