

DataTrak[®] Kit

3A7634A

EN

For monitoring speed and totalizing revolutions of radial piston motor-driven agitators. For professional use only.

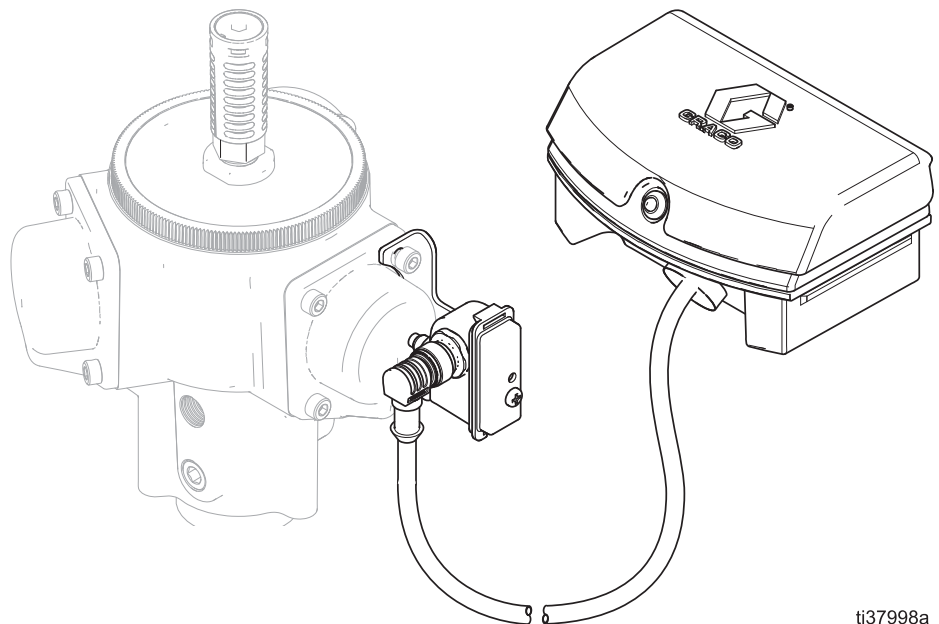
Model 25P394

Agitator DataTrak[®] Kit; includes DataTrak Module 24B563, reprogrammed for use with agitators.



Important Safety Instructions

Read all warnings and instructions in this manual and in your agitator and agitator rebuild kit manuals before using the equipment. Save all instructions.



ti37998a




Contents

Related Manuals	2	DataTrak Operation	5
Approvals	2	Setup Mode	5
DataTrak Controls and Indicators	3	Run Mode	5
DataTrak Installation	4	Replace DataTrak Battery	6
Installing the Bracket on the Motor	4	Parts	7
		Graco Standard Warranty	8

Related Manuals

Manual in English	Description
3A4792	Air-Driven Agitators, Instructions-Parts
3A4800	Twistwork [®] Helix Agitator, Instructions-Parts
3A4797	Stainless Steel, Air-Driven Agitators with Pressure Tank, Instruction-Parts

Approvals

Part	Approvals
24B563 DataTrak Module	   <p>Intertek 9902471 Class I, Div. 1, Group D T3A</p> <p>Ex ia IIA T3 Ga ITS13ATEX27862X</p>



WARNING

	<p>FIRE AND EXPLOSION HAZARD Flammable fumes, such as solvent and paint fumes, in work area can ignite or explode.</p>
	<p>SPECIAL CONDITIONS FOR SAFE USE</p> <ul style="list-style-type: none"> All label/marketing material must be cleaned with a damp cloth (or equivalent). The electronic monitoring system is required to be grounded to the end use system.

DataTrak Controls and Indicators

Run Mode Key

- AE Display
- BCS Batch Counter Suppression (Enables batch counter suppression mode. While in BCS mode, batch counting is disabled and the LED will flash.)
- BT Batch Totalizer (manually resettable to zero (0)). Counts revolutions of the motor/agitator.
- CF Speed (rpm)
- GT Grand Totalizer (not manually resettable). Counts revolutions of the motor/agitator. Resets automatically to zero (0) after reaching 100 million revolutions. Note: Grand Totalizer accuracy is limited to speeds below 400 rpm.

- LED LED (flashes during over-speed alert and in Batch Counter Suppression mode)
- RK Reset Key (Press and hold for 3 seconds to clear and reset the Batch Totalizer).

Setup Mode Key

- AA Over-speed setting, rpm (user settable; 000 = OFF). To set over-speed, hold the BCS button for five seconds. Use the RK button to set values, and the BCS button to advance to the next unit and to exit setup mode.
- AE Display

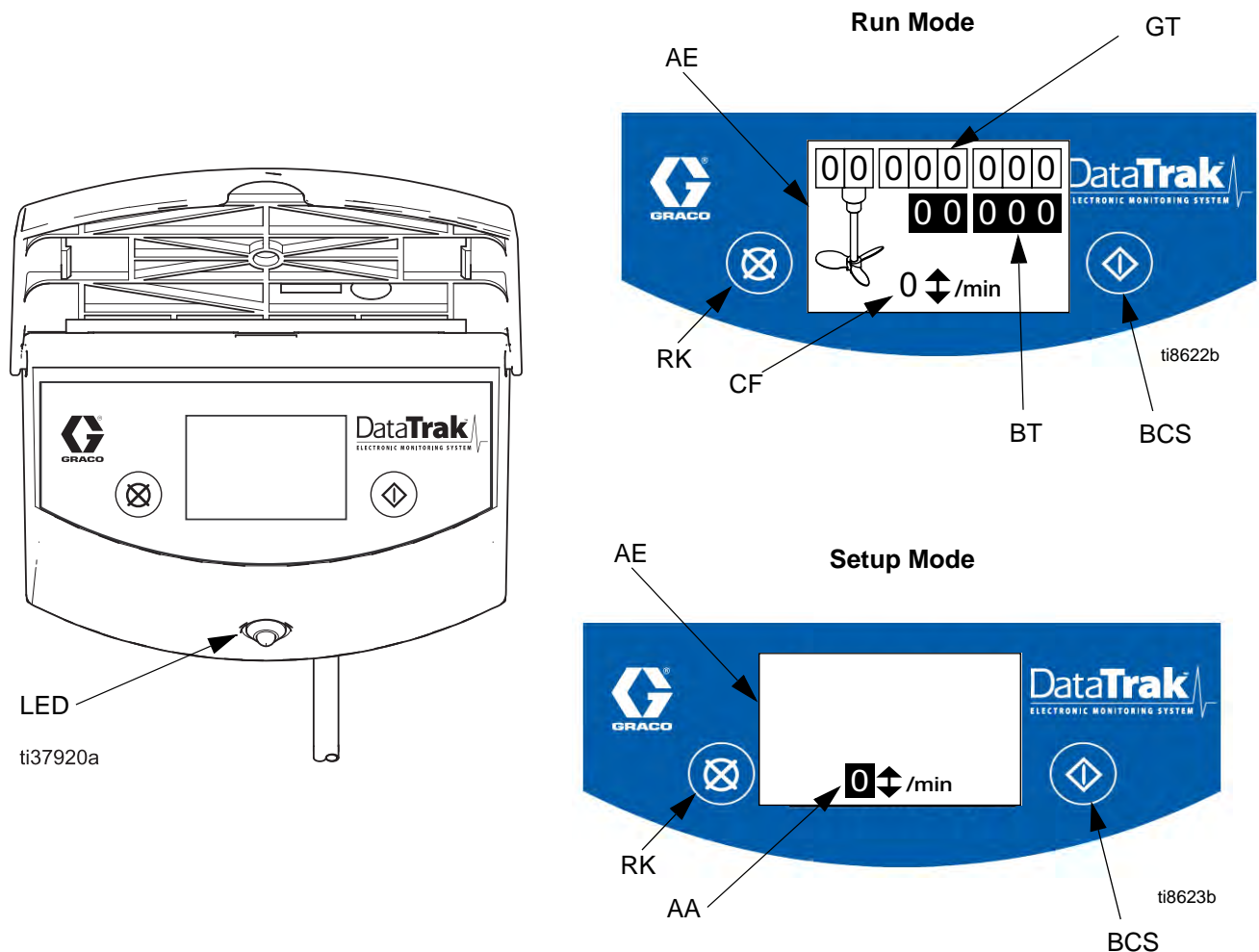




FIG. 1. DataTrak Controls and Indicators

DataTrak Installation



Installing the Bracket on the Motor


WARNING



PRESSURIZED FLUID HAZARD

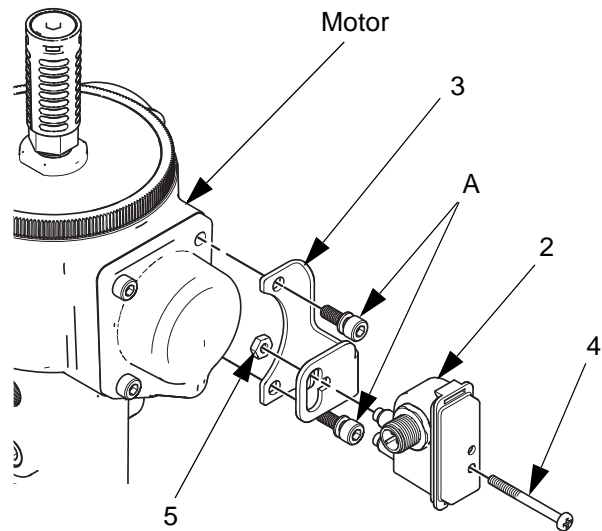
This equipment stays pressurized until pressure is manually relieved. To help prevent serious injury from splashing fluid and moving parts, follow the Pressure Relief Procedure before cleaning, checking, or servicing the equipment.

1. Follow the **Pressure Relief Procedure** in your agitator manual.
2. Shut off motor by reducing the regulated air pressure to the motor to zero, or by closing the bleed-type air shutoff valve.
3. Remove the two screws (A) from the motor as shown.
4. Securely mount the bracket (3) and reed switch (2) assembly with the two screws (A). Do not overtighten the screws (A) to prevent stripping the threads in the motor housing.

NOTE: The bracket can be mounted on either side.




NOTE: A temporary bracket (6) can be used for taking a quick speed measurement. (See **Parts**, on page 7.) Place the temporary bracket (6) in the same position as a permanent bracket (3), straddling the motor end cap screws, as shown below, with the tips of the reed switches tight to the end cap.



DataTrak Operation

NOTE: The display (AE) will turn off after 1 minute to save battery life. Press any key to wake up the display.

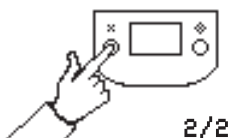
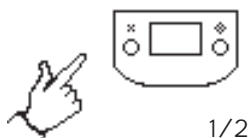
Setup Mode


1. See FIG. 1. Press and hold  for 5 seconds until Setup menu appears.
2. To enter settings press  to change the value, then  to save the value
3. To enter setting for over-speed, enter speed in rpm. Choose a setting that is just above the fastest speed expected during normal operation.

Run Mode

Over-Speed


1. If over-speed occurs, the LED will flash.
2. Reduce air pressure or add material to container to slow down agitator.

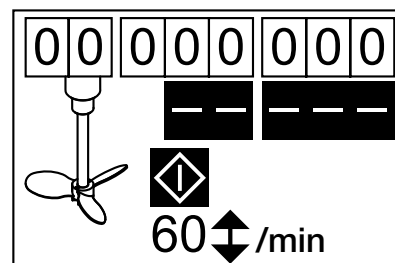



3. Press  to clear the diagnostic code and reset the over-speed display.

NOTE: To disable over-speed monitoring, go to setup mode and set over-speed value to 0 (zero). See FIG. 1.

Batch Counter Suppression Mode

1. See FIG. 1. To enter Batch Counter Suppression Mode, press any key to wake up the display, then press . The Batch Counter Suppression symbol will appear in the display and the LED will flash



2. While in Batch Counter Suppression mode, batch counting is disabled, and the batch totalizer (BT) will not count.
3. To exit Batch Counter Suppression mode, press any key to wake up the display, then press . The symbol will disappear from the display and the LED will stop flashing.

Display

See FIG. 1. The display (AE) will turn off after 1 minute of inactivity in Run mode or 3 minutes in Setup mode. Press any key to wake up the display.

NOTE: DataTrak will continue to count revolutions when display is off.

NOTE: The display (AE) may turn off if a high-level static discharge is applied to the DataTrak. Press any key to wake up the display.

Codes

If the LED (AD in FIG. 1) is flashing, a symbol and code will appear on the display. See Table 1.



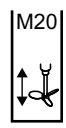



To acknowledge the diagnosis and return to the normal operating screen, press  once to wake up the display, and once more to clear the code screen.

Table 1: Codes

Symbol	Code	Code Name	Diagnosis	Cause
		Over-speed	Agitator running faster than set over-speed limit.	Low material level. Air pressure increased.
	E-3	Low Battery	Battery voltage is low.	Low battery. Replace battery; see page 6.

Replace DataTrak Battery

 **WARNING**



FIRE AND EXPLOSION HAZARD
To reduce the risk of fire and explosion, the battery must be replaced in a non-hazardous location.
Use only an approved replacement battery (see Table 2). Use of an unapproved battery will void Graco's warranty and Intertek and Ex approvals.

Table 2. Approved Batteries
Energizer® alkaline # 522
Varta® alkaline # 4922
Ultralife® lithium # U9VL
Duracell® alkaline # MN1604

NOTE: All registered trademarks are the property of their respective owners.

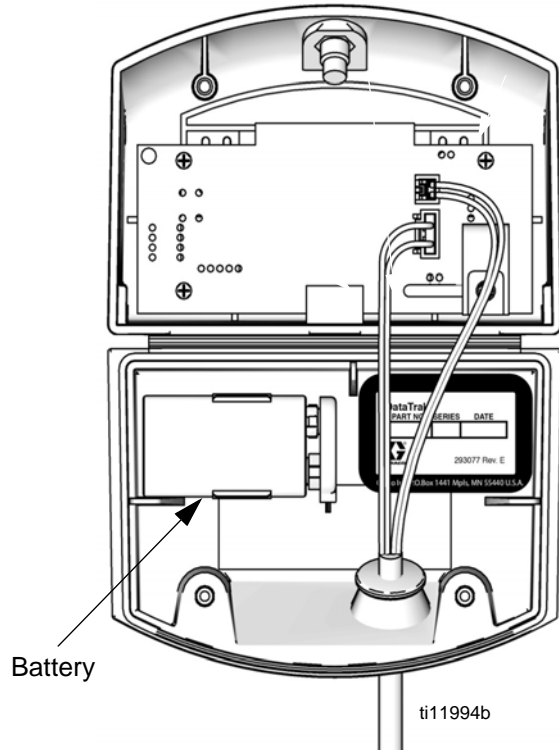


FIG. 2. DataTrak Battery Location

Parts

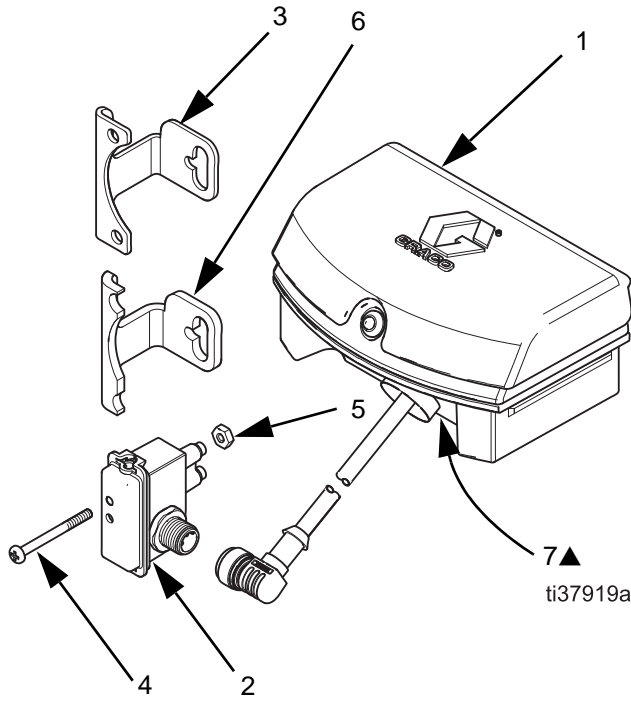


FIG. 3

Ref.	Part No.	Description	Qty
1	24B563	DATATRAK module	1
2	24A032	SWITCH, reed assembly	1
3	17S511	BRACKET, motor sensor	1
4	-----	SCREW, machine phillips panhead; #6-32 UNC	1
5	-----	NUT, hex; #6-32 UNC	1
6	19Y733	BRACKET, motor sensor	1
7▲	15V262	LABEL, safety (not shown; located on the bottom of the DataTrack module (ref. 1))	1

▲ Replacement safety labels, signs, tags, and cards are available at no cost.

----- Not sold separately.

Graco Standard Warranty

Graco warrants all equipment referenced in this document which is manufactured by Graco and bearing its name to be free from defects in material and workmanship on the date of sale to the original purchaser for use. With the exception of any special, extended, or limited warranty published by Graco, Graco will, for a period of twelve months from the date of sale, repair or replace any part of the equipment determined by Graco to be defective. This warranty applies only when the equipment is installed, operated and maintained in accordance with Graco's written recommendations.

This warranty does not cover, and Graco shall not be liable for general wear and tear, or any malfunction, damage or wear caused by faulty installation, misapplication, abrasion, corrosion, inadequate or improper maintenance, negligence, accident, tampering, or substitution of non-Graco component parts. Nor shall Graco be liable for malfunction, damage or wear caused by the incompatibility of Graco equipment with structures, accessories, equipment or materials not supplied by Graco, or the improper design, manufacture, installation, operation or maintenance of structures, accessories, equipment or materials not supplied by Graco.

This warranty is conditioned upon the prepaid return of the equipment claimed to be defective to an authorized Graco distributor for verification of the claimed defect. If the claimed defect is verified, Graco will repair or replace free of charge any defective parts. The equipment will be returned to the original purchaser transportation prepaid. If inspection of the equipment does not disclose any defect in material or workmanship, repairs will be made at a reasonable charge, which charges may include the costs of parts, labor, and transportation.

THIS WARRANTY IS EXCLUSIVE, AND IS IN LIEU OF ANY OTHER WARRANTIES, EXPRESS OR IMPLIED, INCLUDING BUT NOT LIMITED TO WARRANTY OF MERCHANTABILITY OR WARRANTY OF FITNESS FOR A PARTICULAR PURPOSE.

Graco's sole obligation and buyer's sole remedy for any breach of warranty shall be as set forth above. The buyer agrees that no other remedy (including, but not limited to, incidental or consequential damages for lost profits, lost sales, injury to person or property, or any other incidental or consequential loss) shall be available. Any action for breach of warranty must be brought within two (2) years of the date of sale.

GRACO MAKES NO WARRANTY, AND DISCLAIMS ALL IMPLIED WARRANTIES OF MERCHANTABILITY AND FITNESS FOR A PARTICULAR PURPOSE, IN CONNECTION WITH ACCESSORIES, EQUIPMENT, MATERIALS OR COMPONENTS SOLD BUT NOT MANUFACTURED BY GRACO. These items sold, but not manufactured by Graco (such as electric motors, switches, hose, etc.), are subject to the warranty, if any, of their manufacturer. Graco will provide purchaser with reasonable assistance in making any claim for breach of these warranties.

In no event will Graco be liable for indirect, incidental, special or consequential damages resulting from Graco supplying equipment hereunder, or the furnishing, performance, or use of any products or other goods sold hereto, whether due to a breach of contract, breach of warranty, the negligence of Graco, or otherwise.

FOR GRACO CANADA CUSTOMERS

The Parties acknowledge that they have required that the present document, as well as all documents, notices and legal proceedings entered into, given or instituted pursuant hereto or relating directly or indirectly hereto, be drawn up in English. Les parties reconnaissent avoir convenu que la rédaction du présente document sera en Anglais, ainsi que tous documents, avis et procédures judiciaires exécutés, donnés ou intentés, à la suite de ou en rapport, directement ou indirectement, avec les procédures concernées.

Graco Information

For the latest information about Graco products, visit www.graco.com.

For patent information, see www.graco.com/patents.

TO PLACE AN ORDER, contact your Graco distributor or call to identify the nearest distributor.

Phone: 612-623-6921 **or Toll Free:** 1-800-328-0211, **Fax:** 612-378-3505

All written and visual data contained in this document reflects the latest product information available at the time of publication. Graco reserves the right to make changes at any time without notice.

Original instructions. This manual contains English. MM 3A7634

Graco Headquarters: Minneapolis

International Offices: Belgium, China, Japan, Korea

GRACO INC. AND SUBSIDIARIES • P.O. BOX 1441 • MINNEAPOLIS MN 55440-1441 • USA
Copyright 2020, Graco Inc. All Graco manufacturing locations are registered to ISO 9001.

www.graco.com
Revision A, May 2020