

Valve Stack Rebuild Kits

406910C
EN

**To rebuild color valve stacks used with ProMix® 2KE and 2KS Electronic Proportioners.
For professional use only.**



Important Safety Instructions

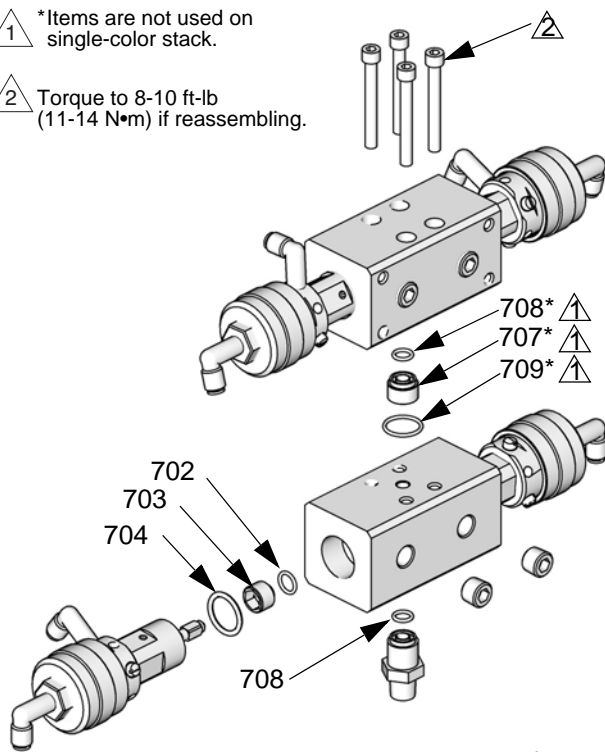
Read all warnings and instructions in this manual and in your ProMix 2KE manual 3A0870 and ProMix 2KS manual 312777 before using the equipment. Save these instructions.



*Items are not used on single-color stack.



Torque to 8-10 ft-lb (11-14 N•m) if reassembling.



ti16302a

24H254 For Color Stacks 262401 and 262402

Ref.	Part No.	Description	Qty
702	111457	O-RING	4
703	----	RETAINER, seat, dump valve, sst	4
704	15Y627	O-RING, PTFE	4
707	----	SPACER, manifold, sst	1
708	110004	O-RING, PTFE	2
709	111116	O-RING	1

26A187 For Catalyst Stack 24Y430 (Acid)

Ref.	Part No.	Description	Qty
702	----	O-RING	4
703	----	RETAINER, seat, dump valve, peek	4
704	----	O-RING, PTFE	4
707	----	SPACER, manifold, sst	1
708	----	O-RING, PTFE	2
709	----	O-RING	1

All written and visual data contained in this document reflects the latest product information available at the time of publication. Graco reserves the right to make changes at any time without notice.

Original instructions. This manual contains English. MM 406910

Graco Headquarters: Minneapolis

International Offices: Belgium, China, Japan, Korea

GRACO INC. AND SUBSIDIARIES • P.O. BOX 1441 • MINNEAPOLIS MN 55440-1441 • USA
Copyright 2020, Graco Inc. All Graco manufacturing locations are registered to ISO 9001.

www.graco.com
Revision C, February 2021

PROVEN QUALITY. LEADING TECHNOLOGY.