

REPAIR AND CONVERSION KITS FOR High Volume High–Flo® Pumps

309130E



Important Safety Instructions.

Read all warnings and instructions in manual 309136. Save those instructions.

Piston Seal Repair Kits

Select the specific kit for your displacement pump. Parts included in these kits are marked with an asterisk (*) in Fig. 1.

Piston Seal Repair Kit 243727

For Displacement Pumps 243731 & 243734
(3:1 Bulldog®, 6:1 King™, Viscount® 600 Pumps)

Ref. No.	Part No.	Description	Qty.
15	180761	SEAL; UHMWPE	4
16	107545	O-RING; PTFE	4
18	115929	PACKING, O-RING	1
19	115930	PACKING, O-RING	1
21	180760	SEAL; UHMWPE	4
24	196232	SEAL; UHMWPE	1
28	180759	SEAL; UHMWPE	2

Piston Seal Repair Kit 243728

For Displacement Pumps 243732 & 243735
(4:1 King™, Viscount® 400 Pumps)

Ref. No.	Part No.	Description	Qty.
15	180761	SEAL; UHMWPE	4
16	107545	O-RING; PTFE	4
18	115929	PACKING, O-RING	1
19	115930	PACKING, O-RING	1
21	180760	SEAL; UHMWPE	4
24	196233	SEAL; UHMWPE	1
28	180758	SEAL; UHMWPE	2

Piston Seal Repair Kit 243729

For Displacement Pumps 243733 & 243736
(3:1 King™, Viscount® 300 Pumps)

Ref. No.	Part No.	Description	Qty.
15	180761	SEAL; UHMWPE	4
16	107545	O-RING; PTFE	4
18	115929	PACKING, O-RING	1
19	115930	PACKING, O-RING	1
21	180760	SEAL; UHMWPE	4
24	196234	SEAL; UHMWPE	1
28	180757	SEAL; UHMWPE	2

Optional Piston Seal Conversion Kit 235855

For Displacement Pumps 243732, & 243735
(4:1 King™, Viscount® 400 Pumps)

Ref. No.	Part No.	Description	Qty.
15	180761	SEAL; UHMWPE	4
16	107545	O-RING; PTFE	4
18	115929	PACKING, O-RING	1
19	115930	PACKING, O-RING	1
21	180760	SEAL; UHMWPE	4
24	112037	SEAL; unfilled PTFE	1
28	180758	SEAL; UHMWPE	2

Optional Piston Seal Conversion Kit 235856

For Displacement Pumps 243731 & 243734
(3:1 Bulldog®, 6:1 King™, Viscount® 600 Pumps)

Ref. No.	Part No.	Description	Qty.
15	180761	SEAL; UHMWPE	4
16	107545	O-RING; PTFE	4
18	115929	PACKING, O-RING	1
19	115930	PACKING, O-RING	1
21	180760	SEAL; UHMWPE	4
24	112038	SEAL; unfilled PTFE	1
28	180759	SEAL; UHMWPE	2

Optional Piston Seal Conversion Kit 235854

For Displacement Pumps 243733 & 243736
(3:1 King™, Viscount® 300 Pumps)

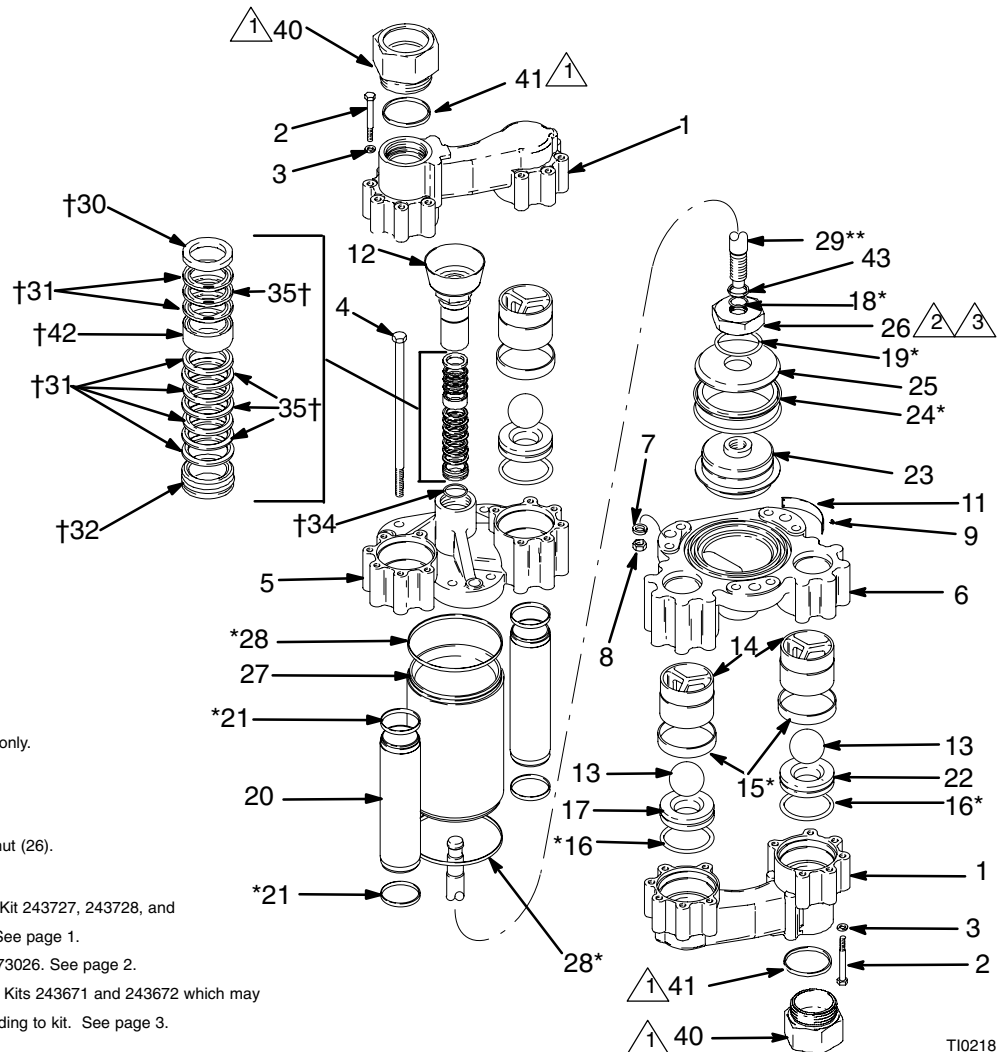
Ref. No.	Part No.	Description	Qty.
15	180761	SEAL; UHMWPE	4
16	107545	O-RING; PTFE	4
18	115929	PACKING, O-RING	1
19	115930	PACKING, O-RING	1
21	180760	SEAL; UHMWPE	4
24	112036	SEAL, unfilled PTFE	1
28	180757	SEAL; UHMWPE	2

Coupling Jaw Kit 273026

For High-Flo® pumps.

Ref. No.	Part No.	Description	Qty.
	184129	COLLAR, Coupling	2
	186925	NUT, Coupling	1
29	15T644	SHAFT, Piston	1

Parts



1 BSPP to NPT adapter, used on NPT pumps only.

2 Torque to 270–284 N•m (200–210 ft•lbs).

3 Apply anti-seize lubricant to face of piston nut (26).

* These parts are included in Pump Seal Repair Kit 243727, 243728, and 243729 which may be purchased separately. See page 1.

** These parts are included in Coupling Jaw Kit 273026. See page 2.

† These parts are included in the Throat Packing Kits 243671 and 243672 which may be purchased separately. Material varies according to kit. See page 3.

T10218

Fig. 1

Throat Packing Repair Kits

For High-Flo® pump models. Select according to packing material. Parts included in these kits are marked with a symbol (†) in Fig. 1.

UHMWPE/Leather Throat Packing Kit 243671

Ref. No.	Part No.	Description	Qty.
30	198360	GLAND, packing, male	1
31	180641	V-PACKING; UHMWPE	6
32	243839	GLAND; packing, male	1
34	109213	O-RING; UHMWPE	1
35	15J057	V-PACKING; leather	4
42	196216	GLAND; packing, female	1

PTFE/Leather Throat Packing Kit 243672

Ref. No.	Part No.	Description	Qty.
30	198360	GLAND, packing, male	1
31	190298	V-PACKING, PTFE	6
32	243839	GLAND, packing, male	1
34	109213	O-RING; PTFE	1
35	15J057	V-PACKING; leather	4
42	109216	GLAND; packing, female	1

- †1 Torque to 67 N•m (50 ft-lb). Back off and re-torque to 27–34 N•m (20–25 ft-lb).
- †2 Torque oppositely and evenly to 81–88 N•m (60–65 ft-lb).
- †3 Lips of v-packings must face down.
- †4 Lips of v-packings must face up.
- †5 Install in wet cup (12).

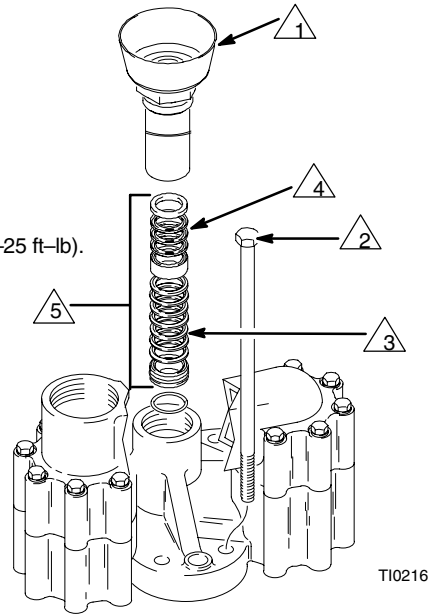


Fig. 2

Throat Packing Conversion Kits

THROAT PACKING CONVERSION KITS

UHMWPE Triple Lip™ Throat Seal Kit 243673

Ref. No.	Part No.	Description	Qty.
101	243674	CARTRIDGE, packing	1
102	196240	BEARING	1
103	115906	O-RING	1

- †1 Torque to 67 N•m (50 ft-lb). Back off and re-torque to 27–34 N•m (20–25 ft-lb).
- †2 Torque oppositely and evenly to 81–88 N•m (60–65 ft-lb).
- †5 Install in wet cup (12).

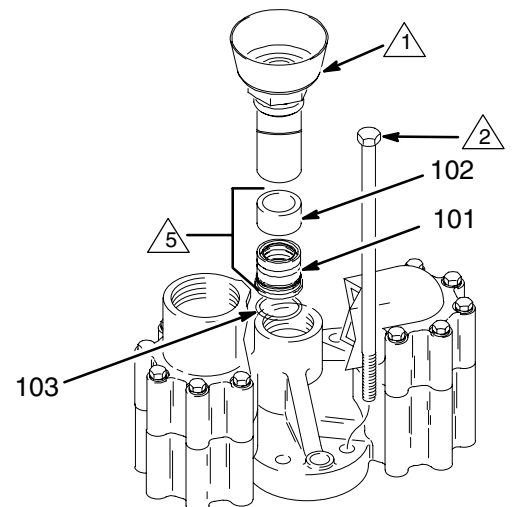


Fig. 3

Graco Standard Warranty

Graco warrants all equipment manufactured by Graco and bearing its name to be free from defects in material and workmanship on the date of sale to the original purchaser for use. With the exception of any special, extended, or limited warranty published by Graco, Graco will, for a period of twelve months from the date of sale, repair or replace any part of the equipment determined by Graco to be defective. This warranty applies only when the equipment is installed, operated and maintained in accordance with Graco's written recommendations.

This warranty does not cover, and Graco shall not be liable for general wear and tear, or any malfunction, damage or wear caused by faulty installation, misapplication, abrasion, corrosion, inadequate or improper maintenance, negligence, accident, tampering, or substitution of non-Graco component parts. Nor shall Graco be liable for malfunction, damage or wear caused by the incompatibility of Graco equipment with structures, accessories, equipment or materials not supplied by Graco, or the improper design, manufacture, installation, operation or maintenance of structures, accessories, equipment or materials not supplied by Graco.

This warranty is conditioned upon the prepaid return of the equipment claimed to be defective to an authorized Graco distributor for verification of the claimed defect. If the claimed defect is verified, Graco will repair or replace free of charge any defective parts. The equipment will be returned to the original purchaser transportation prepaid. If inspection of the equipment does not disclose any defect in material or workmanship, repairs will be made at a reasonable charge, which charges may include the costs of parts, labor, and transportation.

THIS WARRANTY IS EXCLUSIVE, AND IS IN LIEU OF ANY OTHER WARRANTIES, EXPRESS OR IMPLIED, INCLUDING BUT NOT LIMITED TO WARRANTY OF MERCHANTABILITY OR WARRANTY OF FITNESS FOR A PARTICULAR PURPOSE.

Graco's sole obligation and buyer's sole remedy for any breach of warranty shall be as set forth above. The buyer agrees that no other remedy (including, but not limited to, incidental or consequential damages for lost profits, lost sales, injury to person or property, or any other incidental or consequential loss) shall be available. Any action for breach of warranty must be brought within two (2) years of the date of sale.

Graco makes no warranty, and disclaims all implied warranties of merchantability and fitness for a particular purpose in connection with accessories, equipment, materials or components sold but not manufactured by Graco. These items sold, but not manufactured by Graco (such as electric motors, switches, hose, etc.), are subject to the warranty, if any, of their manufacturer. Graco will provide purchaser with reasonable assistance in making any claim for breach of these warranties.

In no event will Graco be liable for indirect, incidental, special or consequential damages resulting from Graco supplying equipment hereunder, or the furnishing, performance, or use of any products or other goods sold hereto, whether due to a breach of contract, breach of warranty, the negligence of Graco, or otherwise.

FOR GRACO CANADA CUSTOMERS

The parties acknowledge that they have required that the present document, as well as all documents, notices and legal proceedings entered into, given or instituted pursuant hereto or relating directly or indirectly hereto, be drawn up in English. Les parties reconnaissent avoir convenu que la rédaction du présente document sera en Anglais, ainsi que tous documents, avis et procédures judiciaires exécutés, donnés ou intentés à la suite de ou en rapport, directement ou indirectement, avec les procédures concernées.

Graco Information

TO PLACE AN ORDER, contact your Graco distributor, or call one of the following numbers to identify the distributor closest to you:

1-800-328-0211 Toll Free

612-623-6921

612-378-3505 Fax

All written and visual data contained in this document reflects the latest product information available at the time of publication. Graco reserves the right to make changes at any time without notice.

This manual contains English. MM 309130

Graco Headquarters: Minneapolis

International Offices: Belgium, China, Japan, Korea

GRACO INC. P.O. BOX 1441 MINNEAPOLIS, MN 55440-1441

Copyright 2000, Graco Inc. is registered to I.S. EN ISO 9001

www.graco.com

Revised January 2008