

Parts List



190ES™

309064S

EN

-For portable spray application of architectural paint and coatings-

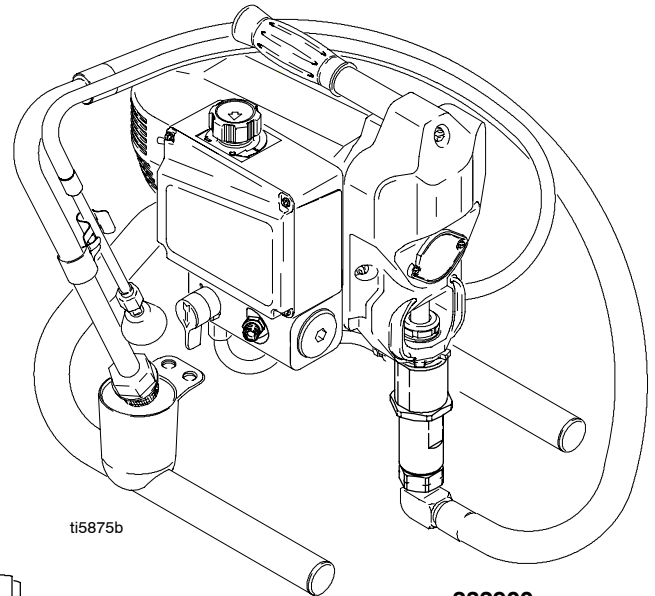
3000 psi (20.7 MPa, 207 bar) Maximum Working Pressure

232900 A, B, C, D, E, F (Stand)

232901 A, B, C, D, E (Stand)

233797 A, B, C, D, E (Hi-boy)

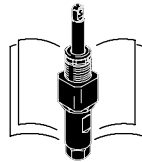
233815 A, B, C, D, E (Hi-boy)



Related manuals



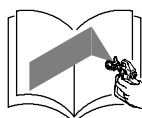
..... 309063



..... 309060



..... 309045

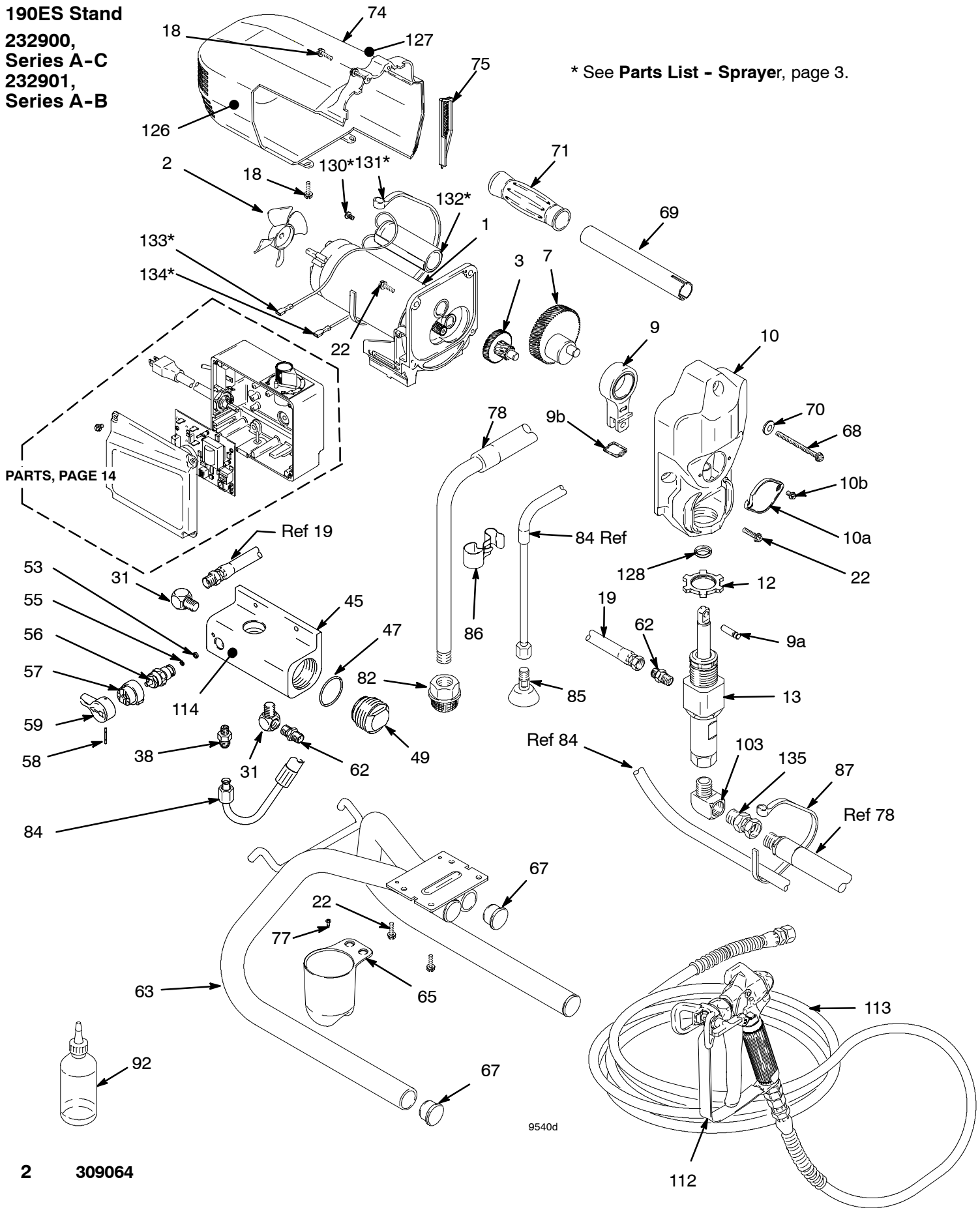


..... 309365

Parts Drawing - Sprayer

190ES Stand
232900,
Series A-C
232901,
Series A-B

* See Parts List - Sprayer, page 3.



PARTS, PAGE 14

9540d

Parts List - Sprayer

190ES Stand

232900, Series A-C

232901, Series A-B

REF NO.	PART NO.	DESCRIPTION	QTY	REF NO.	PART NO.	DESCRIPTION	QTY
1		MOTOR, 120 vac		65	195177	HOLDER, suction tube	1
	242009†	Sprayer Models 232900, A, B;		67	107310	PLUG, tubing	4
		232901, A	1	68	115506	SCREW, slot hd, hex, washer hd	1
	249610‡	Sprayer Models 232900, C;		69	195425	HANDLE, sprayer	1
		232901, B	1	70	100016	WASHER, lock	1
2	115525	BLADE, fan motor	1	71	108063	GRIP, handle	1
3	243219	GEAR, combination	1	74	243217	SHROUD, motor	1
7	243218	CRANK SHAFT	1			includes 18, 126, 127	
9	243221	CONNECTING ROD	1	75	195503	VENT, side	1
		includes 9a and 9b		77	115509	SCREW, mach, pnhd, self-drill	1
9a	195175	PIN, pump	1	78	244354	HOSE, suction, flexible	1
9b	195512	RETAINER, pin	1	82	235004	STRAINER	1
10	243220	DRIVE HOUSING	1	84	244040	HOSE, drain, includes 85, 86	1
		includes 10a and 10b		85	241920	DEFLECTOR, threaded	1
10a	195099	COVER	1	86	195186	CLIP, spring	1
10b	115492	SCREW	2	87	114958	STRAP, tie	1
12	195150	NUT, jam, pump	1	92	206994	FLUID, TSL, 8 oz	1
13	243187	PUMP	1	103	115764	FITTING, elbow, 90°	1
		Manual 309060		112	243012	GUN, SG3 (517 RST™ tip)	1
18	115492	SCREW, mach slot hex, washer hd	4			Manual 309061	
19	241926	HOSE, coupled, high pressure	1	113	241923	HOSE, coupled, 1/4 in. x 50 ft (15 m)	1
22	115495	SCREW, slot hd, hex, washer hd	8	114	195811	LABEL, instruction	1
31	195847	ADAPTER, pipe, hex	2	126	195833▲	LABEL, WARNING	1
38	116150	FITTING, adapter	1	127	15D523▲	LABEL, DANGER	1
45	195157	HOUSING, filter	1	128	115491	WIPER, rod	1
47	104361	O-RING	1	130	115762*	SCREW	2
49	195372	CAP, filter	1	131	103546*	WRAP, tie	1
53	111699	GASKET, seat, valve	1	132	243415*	CAPACITOR	1
55	187615	VALVE, seat	1	133	195936*	WIRE, jumper, red	1
56	235014	ASSY, drain valve	1	134	195937*	WIRE, jumper, black	1
		includes 53 and 55		135	156684	UNION, adapter (swivel)	1
57	224807	ASSY, cam, drain valve	1				
58	111600	PIN, grooved	1				
59	187625	HANDLE, valve, drain	1				
62	162453	NIPPLE, 1/4 npt(m) x 1/4 npsm	2				
63	241858	FRAME, stand mount	1				

▲Extra Danger and Warning tags and labels available free.

† Motor Brush Kit 243215 is available

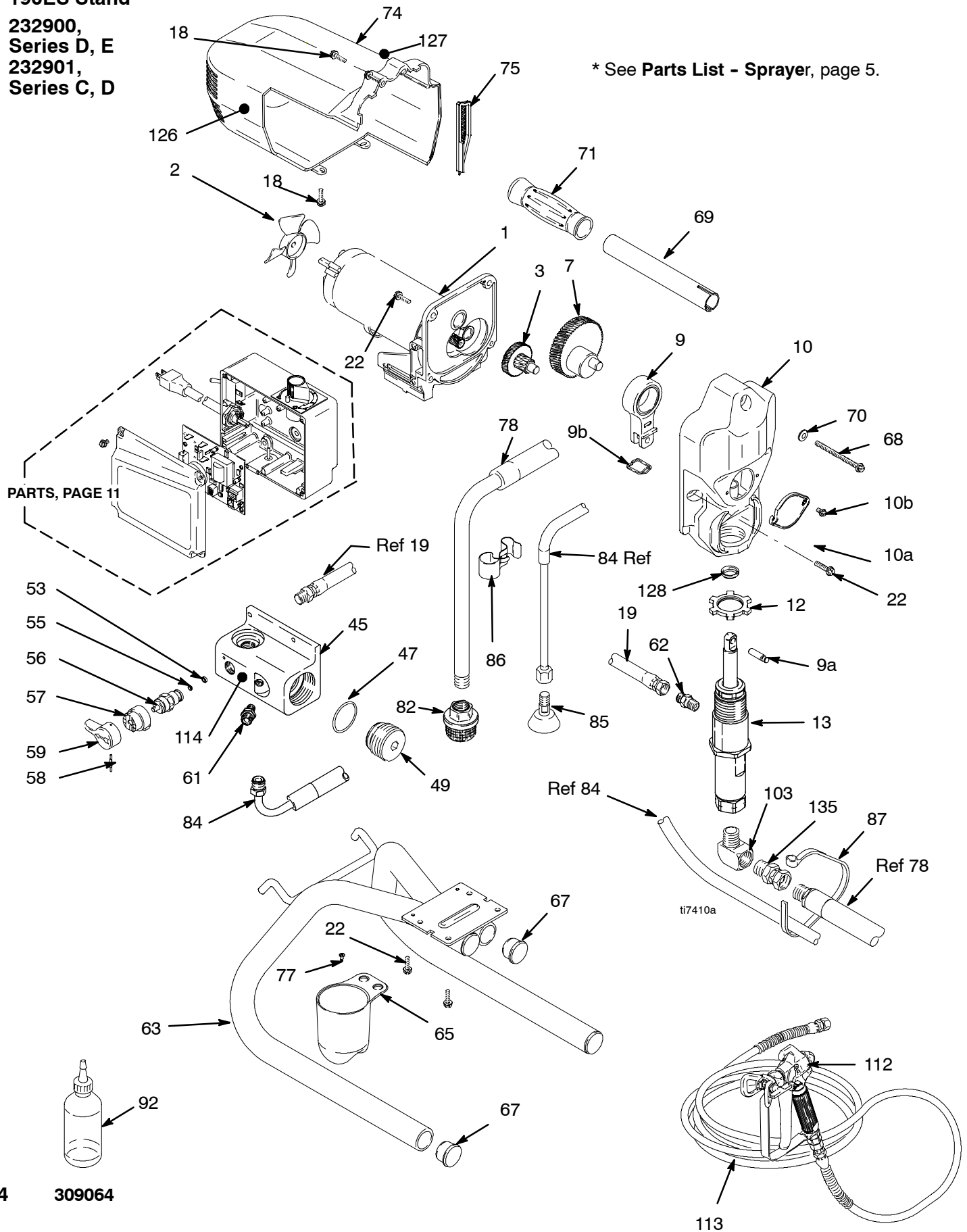
‡ Motor Brush Kit 245894 is available

* Used on 232900, A, B; 232901, A only

Parts Drawing - Sprayer

190ES Stand
232900,
Series D, E
232901,
Series C, D

* See Parts List - Sprayer, page 5.



PARTS, PAGE 11

Parts List - Sprayer

190ES Stand

232900, Series D, E
232901, Series C, D

REF NO.	PART NO.	DESCRIPTION	QTY	REF NO.	PART NO.	DESCRIPTION	QTY
1		MOTOR, 120 vac		62	162453	NIPPLE, 1/4 npt(m) x 1/4 npsm	1
	245893‡	Sprayer Models 232900, D;		63	241858	FRAME, stand mount	1
		232901, C	1	65	195177	HOLDER, suction tube	1
	249610‡	Sprayer Models 232900, E;		67	107310	PLUG, tubing	4
		232901, D	1	68	115506	SCREW, slot hd, hex, washer hd	1
2	115525	BLADE, fan motor	1	69	195425	HANDLE, sprayer	1
3	243219	GEAR, combination	1	70	100016	WASHER, lock	1
7	243218	CRANK SHAFT	1	71	108063	GRIP, handle	1
9	243221	CONNECTING ROD	1	74	243217	SHROUD, motor	1
		includes 9a and 9b				includes 18, 126, 127	
9a	195175	PIN, pump	1	75	195503	VENT, side	1
9b	195512	RETAINER, pin	1	77	115509	SCREW, mach, pnhd, self-drill	1
10	243220	DRIVE HOUSING	1	78	244354	HOSE, suction, flexible	1
		includes 10a and 10b		82	235004	STRAINER	1
10a	195099	COVER	1	84	244240	HOSE, drain, includes 85	1
10b	115492	SCREW	2	85	241920	DEFLECTOR, threaded	1
12	195150	NUT, jam, pump	1	86	195186	CLIP, spring	1
13	243187	PUMP	1	87	114958	STRAP, tie	1
		Manual 309060		92	206994	FLUID, TSL, 8 oz	1
18	115492	SCREW, mach slot hex, washer hd	4	103	115764	FITTING, elbow, 90°	1
19	241926	HOSE, coupled, high pressure	1	112	243012	GUN, SG3 (517 RST™ tip)	1
22	115495	SCREW, slot hd, hex, washer hd	8			Manual 309061	
45	15E180	HOUSING, filter	1	113	241923	HOSE, coupled, 1/4 in. x 50 ft (15 m)	1
47	104361	O-RING	1	114	195811	LABEL, instruction	1
49	195372	CAP, filter	1	126	195833▲	LABEL, WARNING	1
53	111699	GASKET, seat, valve	1	127	15D523▲	LABEL, DANGER	1
55	187615	VALVE, seat	1	128	115491	WIPER, rod	1
56	235014	ASSY, drain valve	1	135	156684	UNION, adapter (swivel)	1
		includes 53 and 55					
57	224807	ASSY, cam, drain valve	1				
58	111600	PIN, grooved	1				
59	187625	HANDLE, valve, drain	1				
61	15E539	NIPPLE, 1/4 npsm x 1/8 npsm	1				

▲Extra Danger and Warning tags and labels available free.

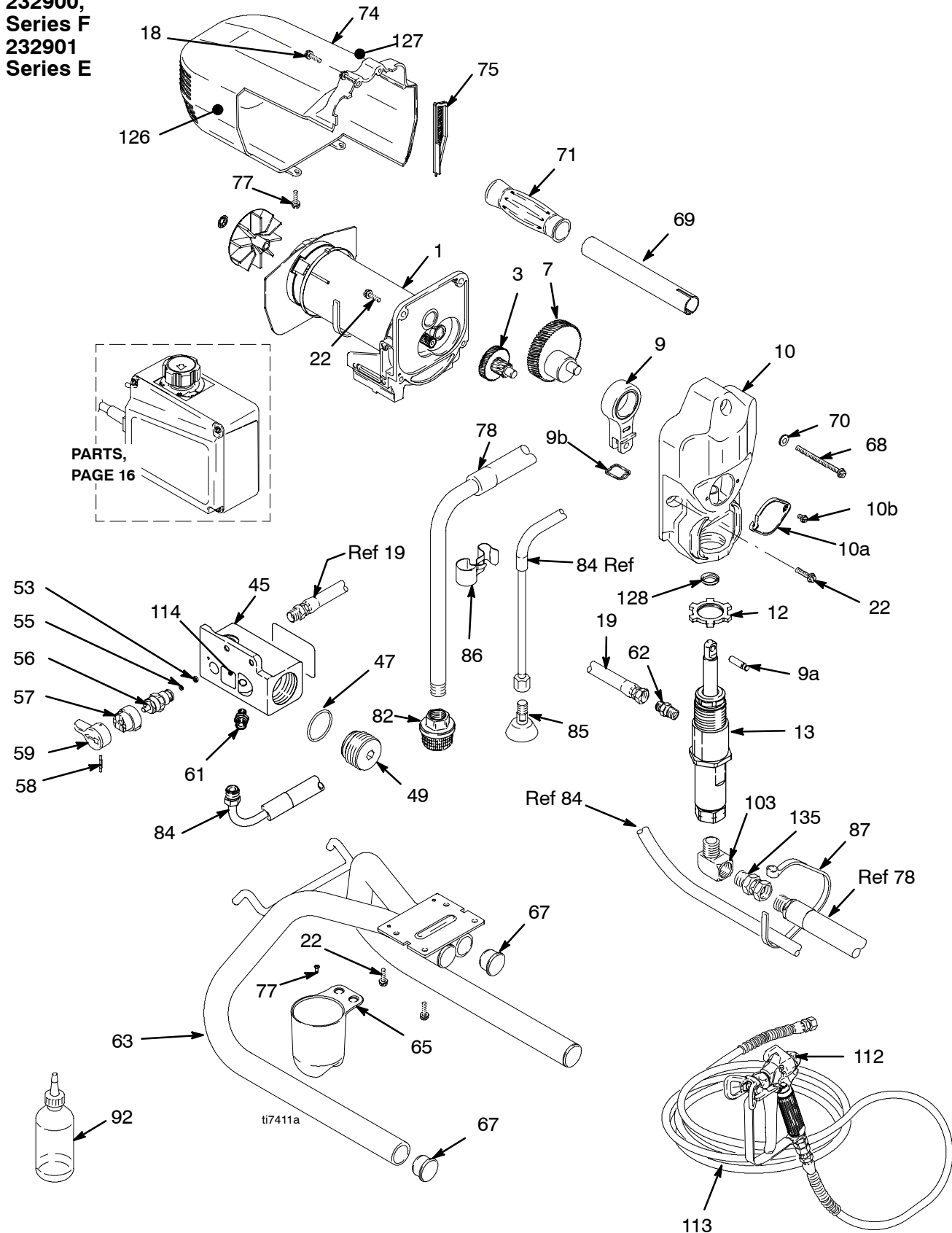
‡ Motor Brush Kit 245894 is available

Parts Drawing - Sprayer

190ES Stand

232900,
Series F
232901
Series E

See Parts List - Sprayer, page 7.



Parts List - Sprayer

190ES Stand

233797, Series F

233815, Series E

REF NO.	PART NO.	DESCRIPTION	QTY	REF NO.	PART NO.	DESCRIPTION	QTY
1	249826‡	MOTOR, 120 vac Sprayer Models 232900, F; 232901, E	1	63	241858	FRAME, stand mount	1
2	249947†	KIT, repair, fan	1	65	195177	HOLDER, suction tube	1
3	243219	GEAR, combination	1	67	107310	PLUG, tubing	4
7	243218	CRANK SHAFT	1	68	115506	SCREW, slot hd, hex, washer hd	1
9	243221	CONNECTING ROD includes 9a and 9b	1	69	195425	HANDLE, sprayer	1
9a	195175	PIN, pump	1	70	100016	WASHER, lock	1
9b	195512	RETAINER, pin	1	71	108063	GRIP, handle	1
10	243220	DRIVE HOUSING includes 10a and 10b	1	74	253116	SHROUD, motor includes 18, 126, 127	1
10a	195099	COVER	1	75	15G758	VENT, side	1
10b	115492	SCREW	2	77	115723	SCREW, mach, pnhd, self-drill	3
12	195150	NUT, jam, pump	1	78	244354	HOSE, suction, flexible	1
13	243187	PUMP Manual 309060	1	82	235004	STRAINER	1
18	117501	SCREW, mach slot hex, washer hd	2	84	244240	HOSE, drain, includes 85	1
19	277140	HOSE, coupled, high pressure	1	85	241920	DEFLECTOR, threaded	1
22	115495	SCREW, slot hd, hex, washer hd	8	86	195186	CLIP, spring	1
45	15G326	HOUSING, filter	1	87	114958	STRAP, tie	1
47	104361	O-RING	1	92	206994	FLUID, TSL, 8 oz	1
49	195372	CAP, filter	1	103	115764	FITTING, elbow, 90°	1
53	111699	GASKET, seat, valve	1	112	243012	GUN, SG3 (517 RST™ tip) Manual 309061	1
55	15E022	VALVE, seat	1	113	241923	HOSE, coupled, 1/4 in. x 50 ft (15 m)	1
56	235014	ASSY, drain valve includes 53 and 55	1	114	195811	LABEL, instruction	1
57	224807	ASSY, cam, drain valve	1	126	195833▲	LABEL, WARNING	1
58	111600	PIN, grooved	1	127	15D523▲	LABEL, DANGER	1
59	187625	HANDLE, valve, drain	1	128	115491	WIPER, rod	1
61	15E539	NIPPLE, 1/4 npsm x 1/8 npsm	1	135	156684	UNION, adapter (swivel)	1
62	162453	NIPPLE, 1/4 npt(m) x 1/4 npsm	1				

▲ Extra Danger and Warning tags and labels available free.

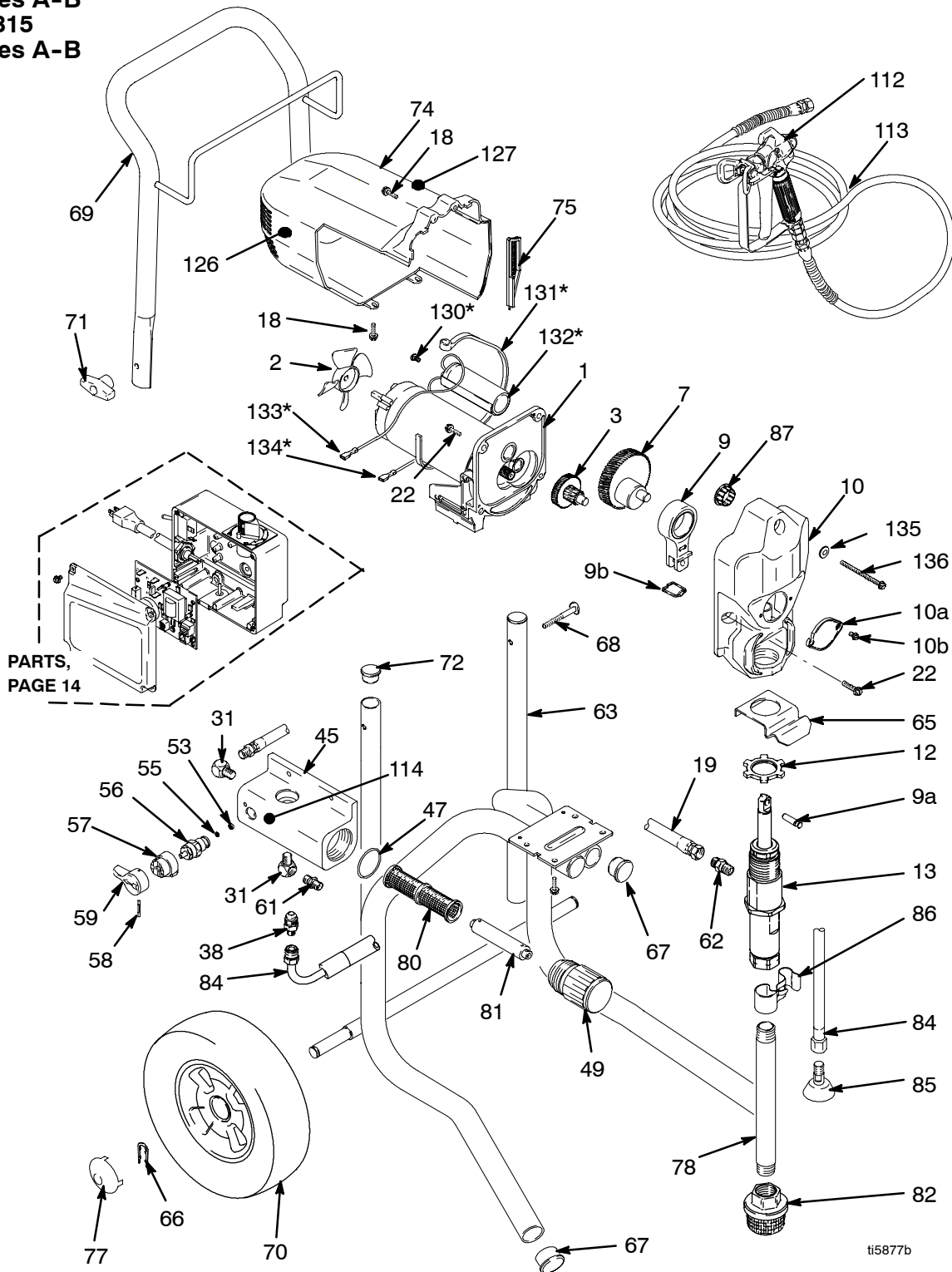
‡ Motor Brush Kit 249946 is available

† New fan included in Motor Kit 249826

Parts Drawing - Sprayer

190ES Hi-boy
233797,
Series A-B
233815
Series A-B

* See Parts List - Sprayer, page 9.



Parts List - Sprayer

190ES Hi-boy

233797, Series A-B

233815, Series A-B

REF NO.	PART NO.	DESCRIPTION	QTY	REF NO.	PART NO.	DESCRIPTION	QTY
1		MOTOR, 120 vac		67	107310	PLUG, tubing	4
	242009†	Sprayer Models 233797, A;		68	115097	SCREW, curved head	2
		233815, A	1	69	241938	HANDLE, cart	1
	249610‡	Sprayer Models 233797, B;		70	106062	WHEEL, semi-pneumatic	2
		233815, B	1	71	115480	KNOB, t-handle	2
2	115525	BLADE, fan motor	1	72	105521	PLUG, tubing	4
3	243219	GEAR, combination	1	74	243217	SHROUD, motor,kit	1
7	243218	CRANK SHAFT	1			includes 18, 75, 126, 127	
9	243221	CONNECTING ROD	1	75	195503	VENT, side	1
		includes 9a and 9b		77	104811	CAP, hub	2
9a	195175	PIN, pump	1	78	198973	TUBE, suction	1
9b	195512	RETAINER, pin	1	80	243080	FILTER, fluid	1
10	243220	DRIVE HOUSING	1	81	196773	FILTER, insert	1
		includes 10a and 10b		82	183770	STRAINER, kit	1
10a	195099	COVER	1	84	244042	HOSE, drain, includes 85, 86, 38	1
10b	115492	SCREW	2	85	241920	DEFLECTOR, threaded	1
12	195150	NUT, jam, pump	1	86	195696	CLIP, spring	1
13	243187	PUMP	1	87	115979	PLUG	1
		Manual 309060		112	243012	GUN, SG3 (517 RST Tip manual 309061)	1
18	115492	SCREW, mach slot hex, washer hd	4	113	241923	HOSE, 1/4 in. x 50 ft (15 m)	1
19	241926	HOSE, coupled, high pressure	1	114	195811	LABEL, instruction	1
22	115495	SCREW, slot hd, hex, washer hd	8	126	195833▲	LABEL, WARNING	1
31	195847	ADAPTER, pipe, hex	2	127	15D523▲	LABEL, DANGER	1
38	116150	FITTING, adapter	1	130	115762*	SCREW	2
45	195157	HOUSING, filter	1	131	103546*	WRAP, tie	1
47	104361	O-RING	1	132	243415*	CAPACITOR	1
49	195139	CAP, filter	1	133	195936*	WIRE, jumper, red	1
53	111699	GASKET, seat, valve	1	134	195937*	WIRE, jumper, black	1
55	187615	VALVE, seat	1				
56	235014	ASSY, drain valve	1				
		includes 53 and 55					
57	224807	ASSY, cam, drain valve	1				
58	111600	PIN, grooved	1				
59	187625	HANDLE, valve, drain	1				
61	15E539	NIPPLE, 1/4 npsm x 1/8 npsm	1				
63	241934	FRAME, cart	1				
65	195497	HOOK, pail	1				
66	15B999	CLIP, retaining	2				

▲ Extra Danger and Warning tags and labels available free.

‡ Motor Brush Kit 245894 is available

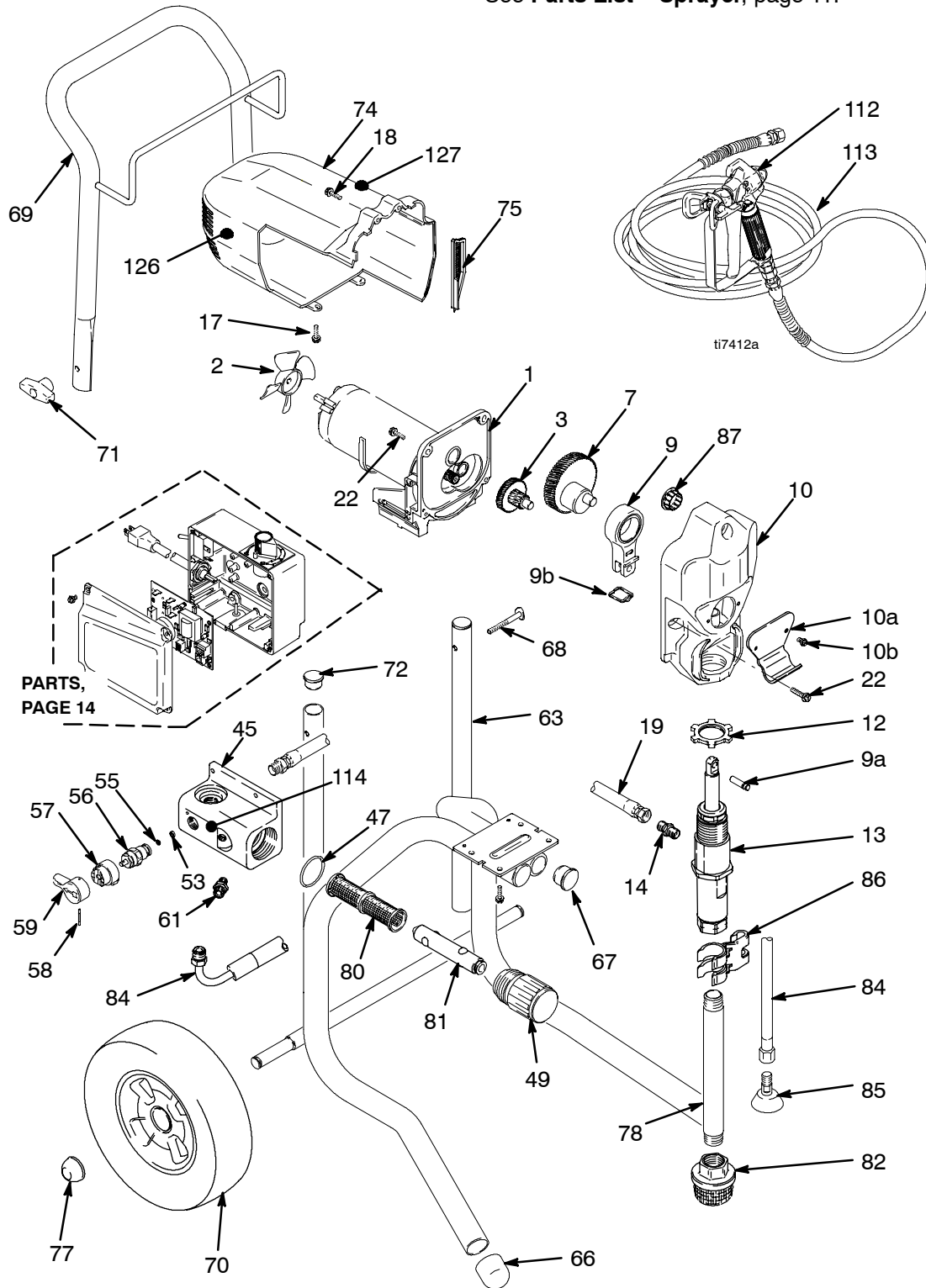
† Motor Brush Kit 243215 is available

*Used on 233797, A; 233815, A only

Parts Drawing - Sprayer

190ES Hi-boy
233797,
Series C, D
233815
Series C, D

See Parts List - Sprayer, page 11.



Parts Drawing - Sprayer

190ES Hi-boy

233797, Series C, D

233815, Series C, D

REF NO.	PART NO.	DESCRIPTION	QTY	REF NO.	PART NO.	DESCRIPTION	QTY
1		MOTOR, 120 vac		59	187625	HANDLE, valve, drain	1
	245893‡	Sprayer Models 233797, C;		61	15E539	NIPPLE, 1/4 npsm x 1/8 npsm	1
		233815, C	1	63	241934	FRAME, cart	1
	249610‡	Sprayer Models 233797, D;		66	15B197	CAP, leg	2
		233815, D	1	67	107310	PLUG, tubing	2
2	115525	BLADE, fan motor	1	68	115097	SCREW, curved head	2
3	243219	GEAR, combination	1	69	241938	HANDLE, cart	1
7	243218	CRANK SHAFT	1	70	119451	WHEEL, semi-pneumatic	2
9	243221	CONNECTING ROD	1	71	115480	KNOB, t-handle	2
		includes 9a and 9b		72	105521	PLUG, tubing	2
9a	195175	PIN, pump	1	74	243217	SHROUD, motor, kit	1
9b	195512	RETAINER, pin	1			includes 18, 75, 126, 127	
10	243220	DRIVE HOUSING	1	75	195503	VENT, side	1
		includes 10a and 10b		77	119452	CAP, hub	2
10a	15E286	HOOK, pail	1	78	15E290	TUBE, suction	1
10b	117501	SCREW	2	80	243080	FILTER, fluid	1
12	195150	NUT, jam, pump	1	81	15E288	FILTER, insert	1
13	243187	PUMP	1	82	235004	STRAINER, kit	1
		Manual 309060		84	244240	HOSE, drain, includes 85	1
14	162453	NIPPLE, 1/4 npt(m) x 1/4 npsm	1	85	241920	DEFLECTOR, threaded	1
17	115723	SCREW, mach, pnhd, self drill	2	86	276888	CLIP, spring	1
18	117501	SCREW	2	87	115979	PLUG	1
19	277140	HOSE, coupled, high pressure	1	112	243012	GUN, SG3 (517 RST Tip	1
22	115495	SCREW, slot hd, hex, washer hd	8			manual 309061)	
45	15E180	HOUSING, filter	1	113	241923	HOSE, 1/4 in. x 50 ft (15 m)	1
47	104361	O-RING	1	114	195811	LABEL, instruction	1
49	15E289	CAP, filter	1	126	195833▲	LABEL, WARNING	1
53	111699	GASKET, seat, valve	1	127	15D523▲	LABEL, DANGER	1
55	187615	VALVE, seat	1				
56	235014	ASSY, cam, drain valve	1				
58	111600	PIN, grooved	1				

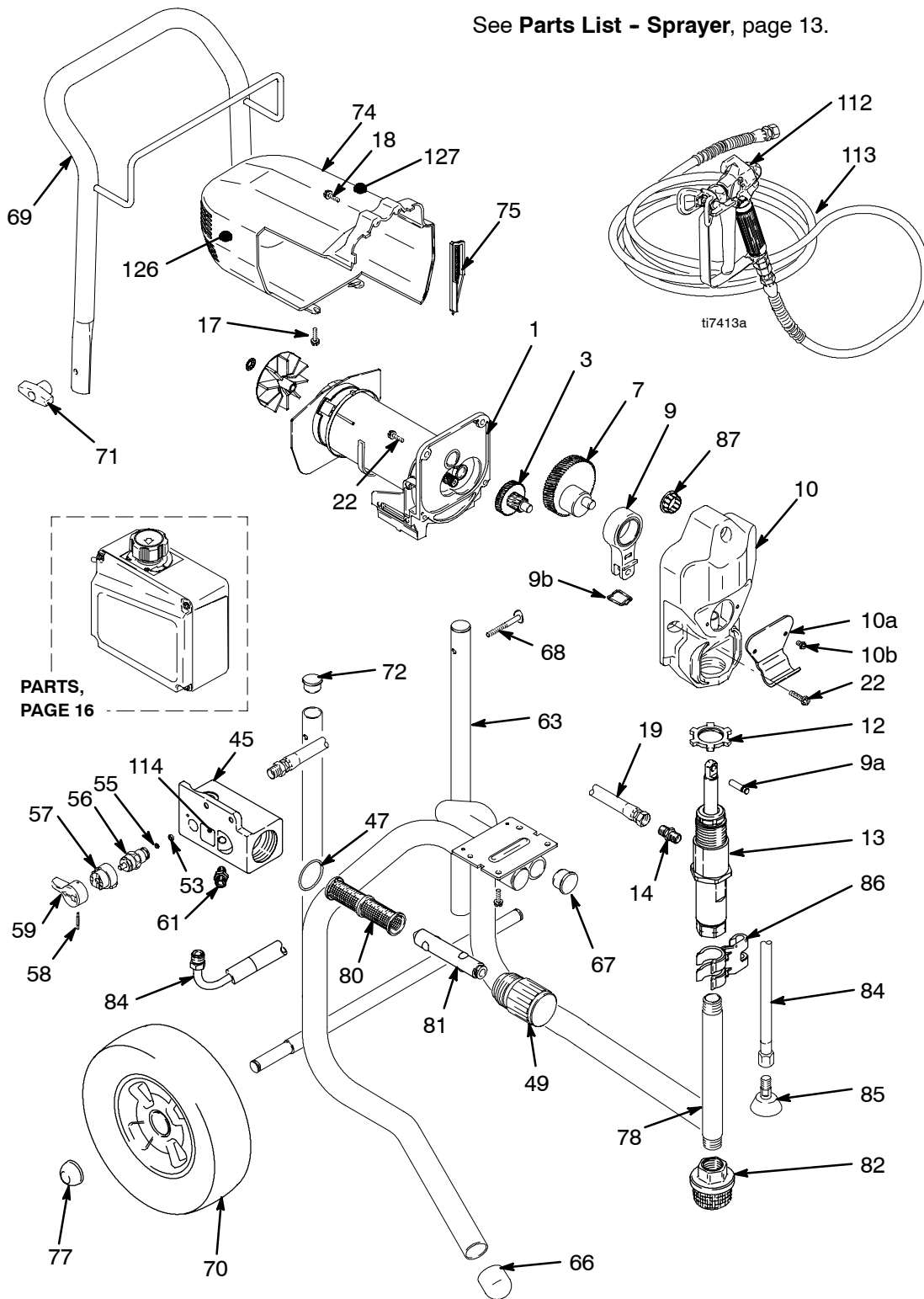
▲ Extra Danger and Warning tags and labels available free.

‡ Motor Brush Kit 245894 is available

Parts Drawing - Sprayer

190ES Hi-boy
233797
Series E
233815
Series E

See Parts List - Sprayer, page 13.



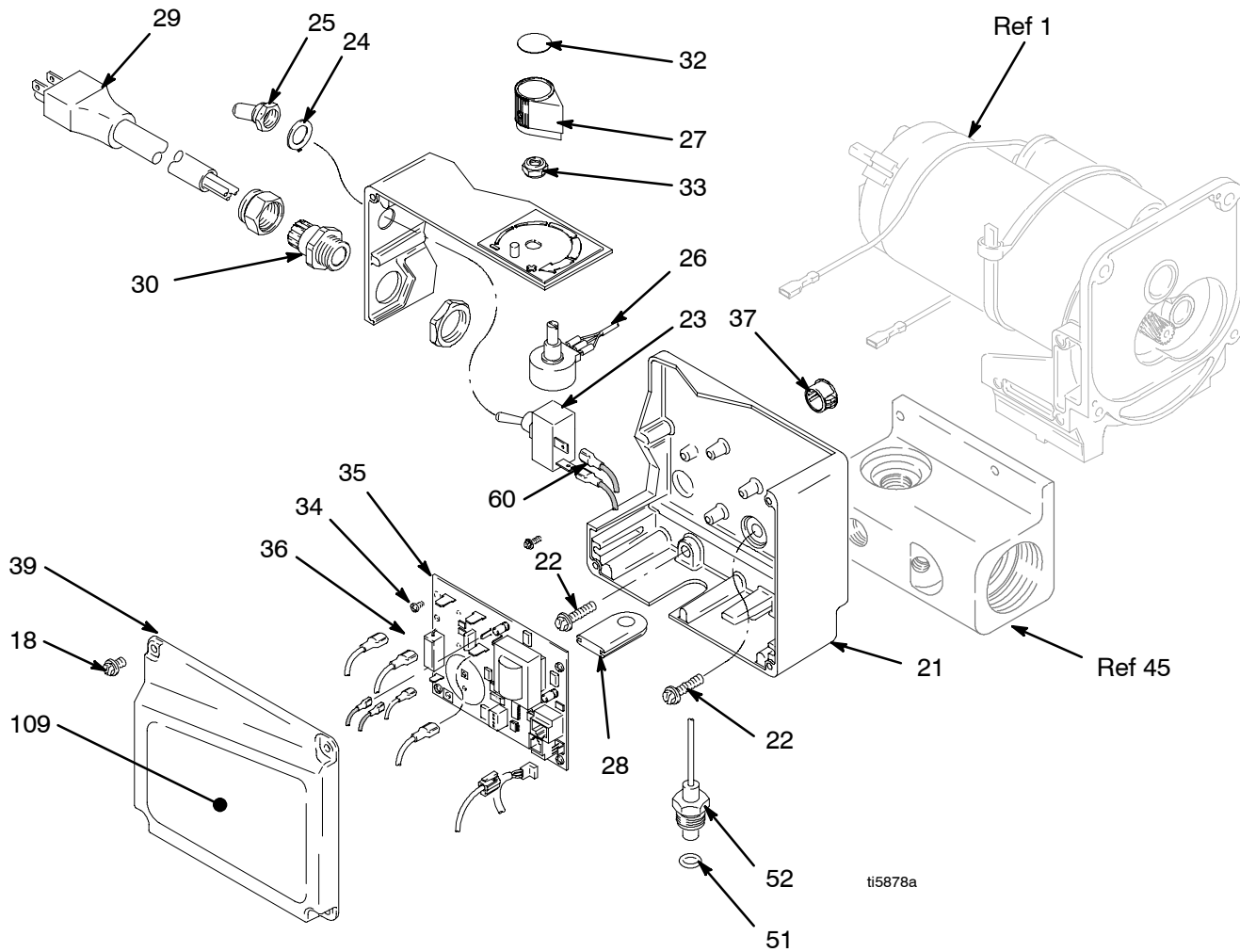
PARTS,
PAGE 16

Parts List - Sprayer

190ES Hi-boy
233797 Series E
233815 Series E

REF NO.	PART NO.	DESCRIPTION	QTY	REF NO.	PART NO.	DESCRIPTION	QTY
1	249826‡	MOTOR, 120 vac Sprayer Models 233797, E; 233815, E	1	66	15B197	CAP, leg	2
2	249947†	BLADE, fan motor	1	67	107310	PLUG, tubing	2
3	243219	GEAR, combination	1	68	115097	SCREW, curved head	2
7	243218	CRANK SHAFT	1	69	241938	HANDLE, cart	1
9	243221	CONNECTING ROD includes 9a and 9b	1	70	119451	WHEEL, semi-pneumatic	2
9a	195175	PIN, pump	1	71	115480	KNOB, t-handle	2
9b	195512	RETAINER, pin	1	72	105521	PLUG, tubing	2
10	243220	DRIVE HOUSING	1	74	253116	SHROUD, motor,kit includes 18, 75, 126, 127	1
10a	15E286	HOOK, pail	1	75	15G758	VENT, side	1
10b	117501	SCREW	2	77	119452	CAP, hub	2
12	195150	NUT, jam, pump	1	78	15E290	TUBE, suction	1
13	243187	PUMP Manual 309060	1	80	243080	FILTER, fluid	1
14	162453	NIPPLE, 1/4 npt(m) x 1/4 npsm	1	81	15E288	FILTER, insert	1
17	115723	SCREW, mach, pnhd, self drill	2	82	235004	STRAINER, kit	1
18	117501	SCREW, mach slot hex, washer hd	2	84	244240	HOSE, drain, includes 85	1
19	277140	HOSE, coupled, high pressure	1	85	241920	DEFLECTOR, threaded	1
22	115495	SCREW, slot hd, hex, washer hd	8	86	276888	CLIP, spring	1
45	15G326	HOUSING, filter	1	87	115979	PLUG	1
47	104361	O-RING	1	105	115491	WIPER, rod	1
49	15E289	CAP, filter	1	112	243012	GUN, SG3 (517 RST Tip manual 309061)	1
53	111699	GASKET, seat, valve	1	113	241923	HOSE, 1/4 in. x 50 ft (15 m)	1
55	15E022	VALVE, seat	1	114	195811	LABEL, instruction	1
56	235014	ASSY, drain valve includes 53 and 55	1	126	195833▲	LABEL, WARNING	1
57	224807	ASSY, cam, drain valve	1	127	15D523▲	LABEL, DANGER	1
58	111600	PIN, grooved	1	▲ Extra Danger and Warning tags and labels available free.			
59	187625	HANDLE, valve, drain	1	‡ Motor Brush Kit 249946 is available			
61	15E539	NIPPLE, 1/4 npsm x 1/8 npsm	1	† New fan included in motor kit 249826			
63	241934	FRAME, cart	1				

Parts List - Sprayer



190ES Sprayer

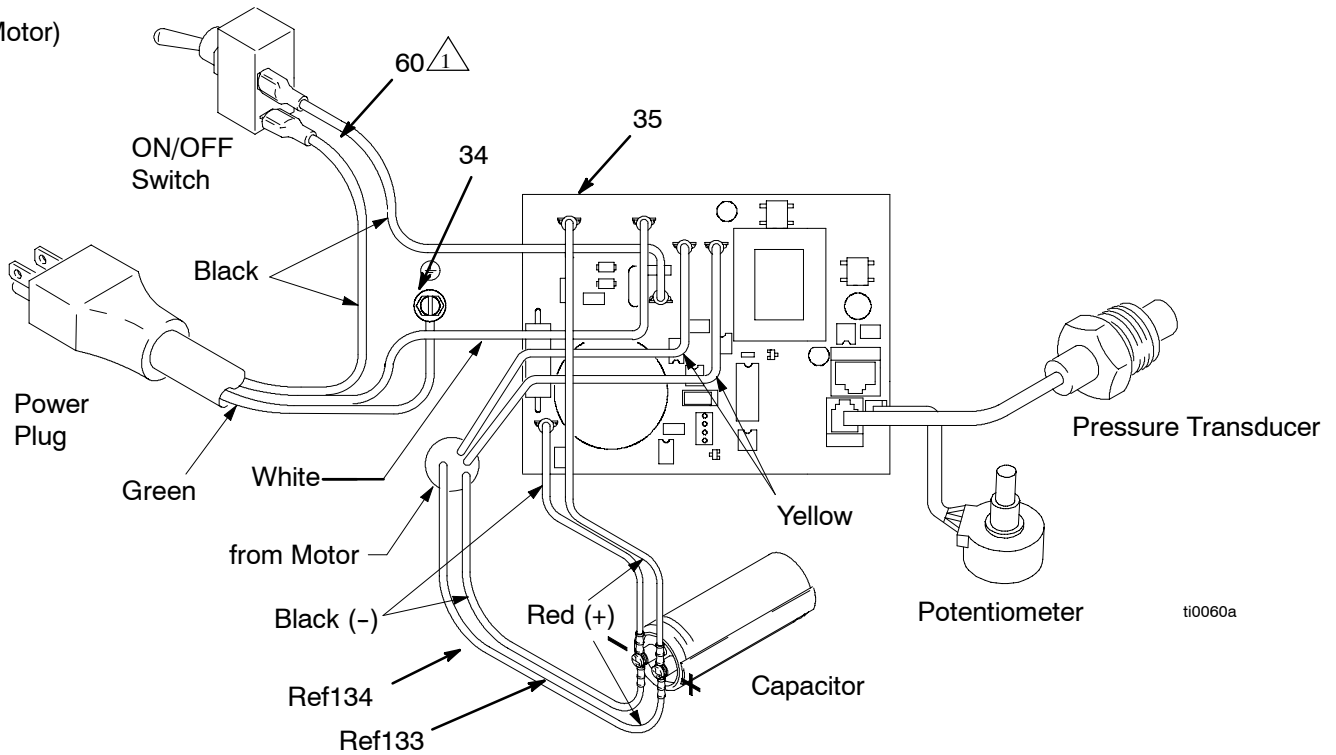
232900 A,B,C,D
 232901 A,B,C,D
 233797 A,B,C,D
 233815 A,B,C,D

REF NO.	PART NO.	DESCRIPTION	QTY	REF NO.	PART NO.	DESCRIPTION	QTY
18	115492	SCREW, slot hd, hex, washer hd	4	35		BOARD, control	
21	276539	HOUSING, control	1	241989		232900, A,B; 232901, A;	1
22	115495	SCREW, slot hd, hex, washer hd	5		233797, A; 233815, A		
23	195429	SWITCH, toggle	1	245892		232900, C,D,E; 232901, B,C,D;	1
24	105658	RING, locking	1		233797, B,C,D; 233815, B,C,D		
25	195428	BOOT, toggle	1	36	115494	SCREW, 6-32 x 1/2, TAPTITE	5
26	236352	POTENTIOMETER, adjust, pressure	1	37	115756	BUSHING, strain relief	1
27	116167	KNOB, potentiometer	1	39	195147	COVER, control	1
28	195423	GROMMET, transducer	1	51	111457	O-RING	1
29	241729	CORD SET, power	1	52	243222	TRANSDUCER, pressure control	1
30	114421	BUSHING, strain relief	1			includes 51	
32	193072	LABEL, control	1	60	195866	WIRE, jumper	1
33	112382	NUT, shaft, sealing	1	109	195930	LABEL, cover	1
34	115498	SCREW, slot hd, hex, washer hd	1				

Wiring Diagram

(Capacitor on Motor)

232900, A, B;
232901, A;
233797, A;
233815, A



\triangle 1 Used on 232900, A, B; 232901, A; 233797, A and 233815, A only

Fig. 1

(Capacitor on PC Board)

232900, C, D, E
232901, B, C, D
233797, B, C, D
233815, B, C, D

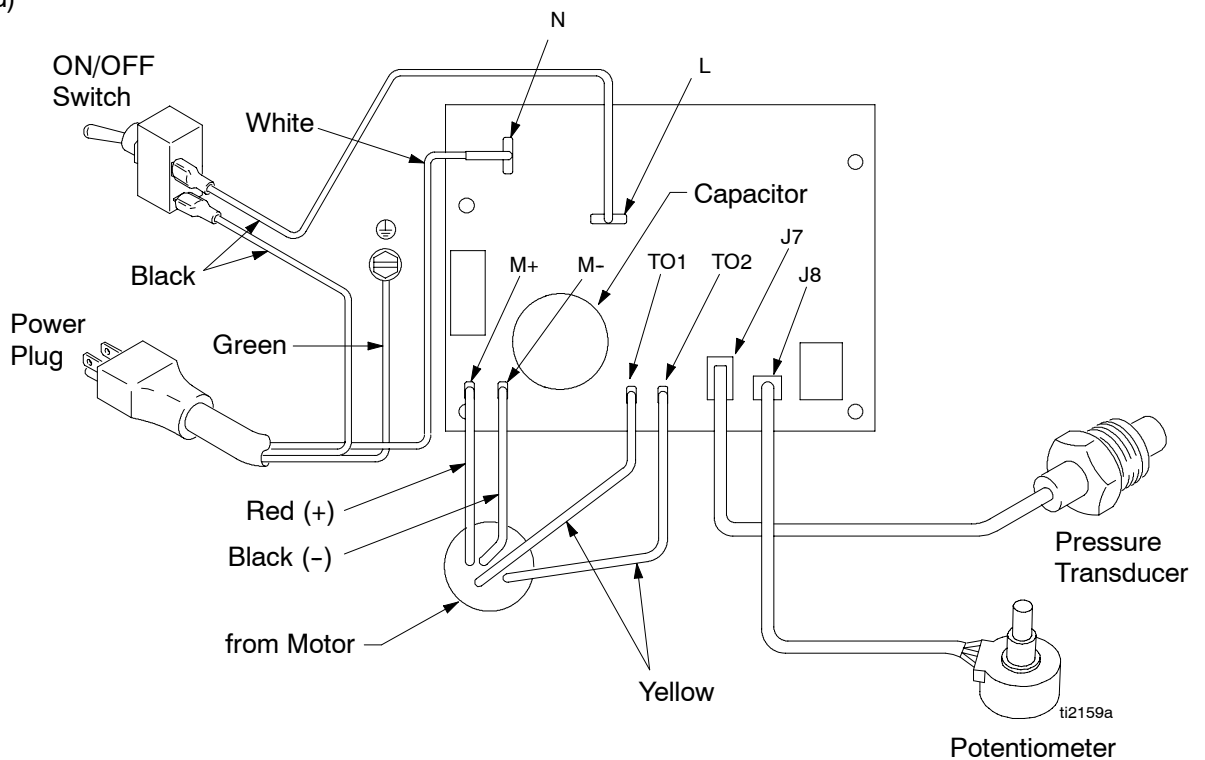
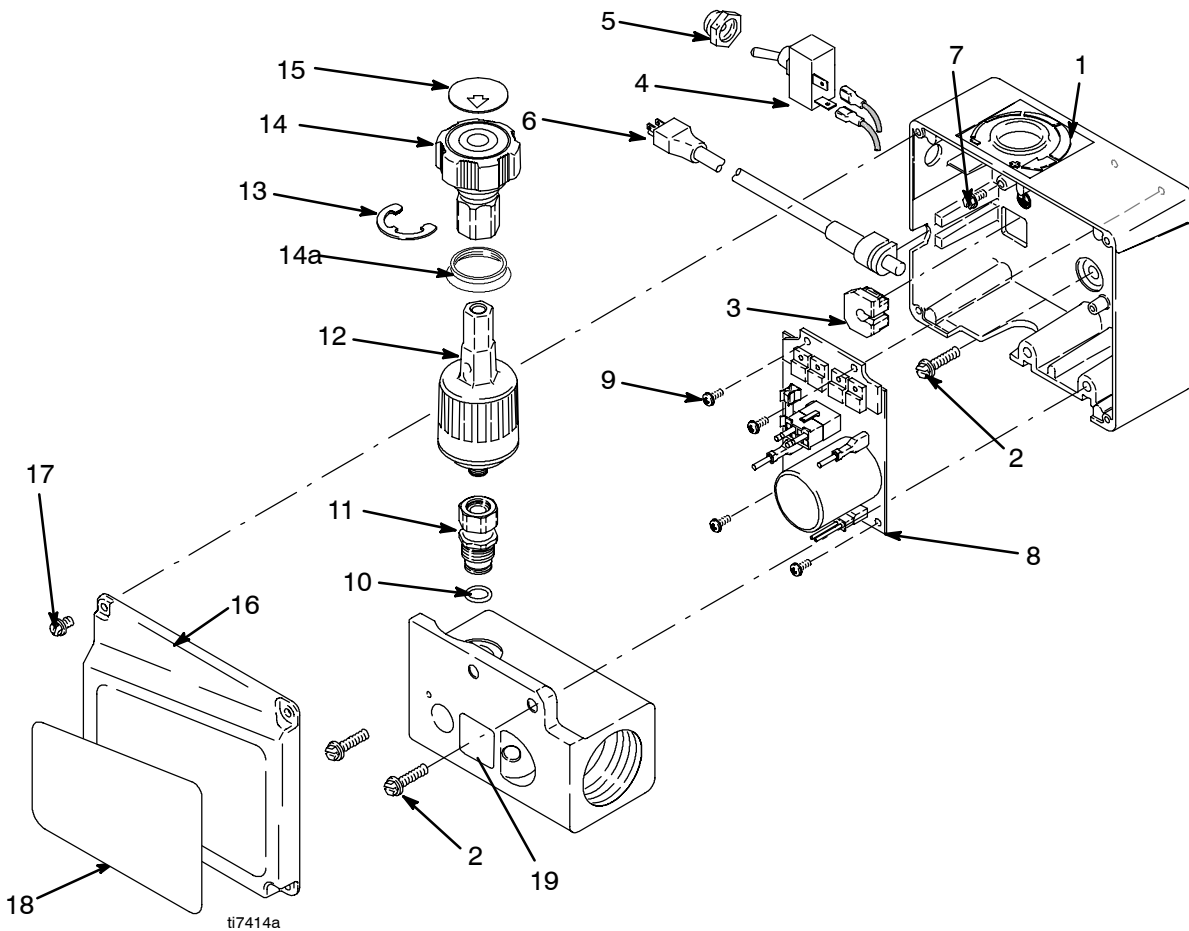


Fig. 2

Parts List - Sprayer



190ES Sprayer

232900 F

232901 E

233797 E

233815 E

REF NO.	PART NO.	DESCRIPTION	QTY	REF NO.	PART NO.	DESCRIPTION	QTY
1	277210	BOX, control, 190	1	12	253117	CONTROL, pressure, 190, 120V, includes 15	1
2	115495	SCREW, mach, hex washer hd	5	13	107146	RING, retaining, ext.	1
3	15B118	BUSHING, motor wire	1	14	15G484	KNOB, control, plastic	1
4	195429	SWITCH, toggle	1	14a	15H147	BAFFLE, knob, pressure	1
5	195428	BOOT, toggle	1	15	15G475	LABEL, instructions	1
6	15G388	CORD, power	1	16	15G759	COVER, control, 190	1
7	115498	SCREW, mch, slot, hex, wash hd	1	17	115492	SCREW, mach, slot hex wash hd	4
8	253118	CONTROL, board, 190ES (LC)	1	18	195930	LABEL, identification	1
9	115494	SCREW, mach, phillips, pan hd	4	19	195811	LABEL, instruction	1
10	103338	PACKING, o-ring	1				
11	15G424	ADAPTER, extension, switch, pressure	1				

Wiring Diagram

190ES Sprayer

232900, F;
232901, E;
233797, E;
233815, E

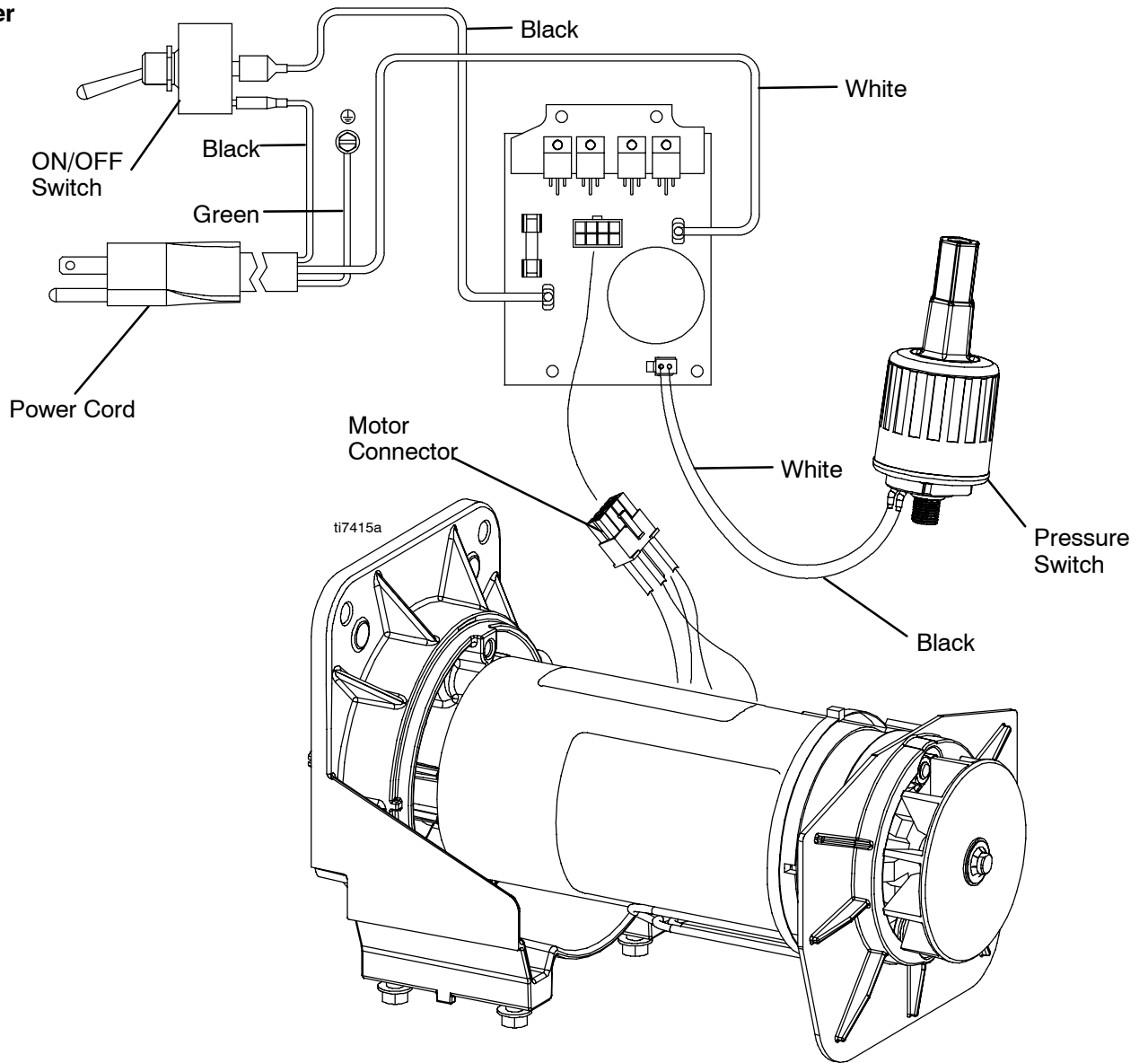


Fig. 3

TO PLACE AN ORDER OR FOR SERVICE,
contact your Graco distributor, or call 1-888-541-9788 to identify the nearest distributor.

*All written and visual data contained in this document reflects the latest product information available at the time of publication.
Graco reserves the right to make changes at any time without notice.
Original instructions. This manual contains English. MM 309064*

Graco Headquarters: Minneapolis
International Offices: Belgium, China, Japan, Korea

GRACO INC. AND SUBSIDIARIES P.O. BOX 1441 MINNEAPOLIS, MN 55440-1441 USA
Copyright 1999, Graco Inc. All Graco manufacturing locations are registered to ISO 9001

www.graco.com

Revised 08/2011