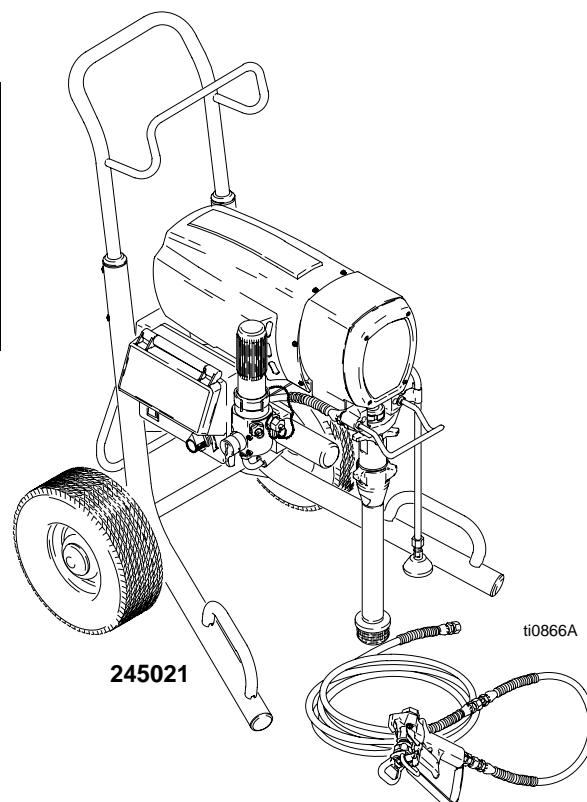


Ultra Max™ 795/1095 Airless Paint Sprayers

3300 psi (227 bar, 22.7 MPa) Maximum Working Pressure

120 VAC

Type	Series	Hi-Boy	Lo-Boy	Spray Gun
Ultra Max 795™	A	245021	245023	243282
Ultra Max 795™	A	245020	245022	None
Ultra Max 1095™	A	245030 245031 245032		None 243282 None 243282



Related manuals



..... 309257

Operation



..... 309639

Spray Gun



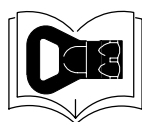
..... 309251

Sprayer Repair



..... 309277

Pump Repair

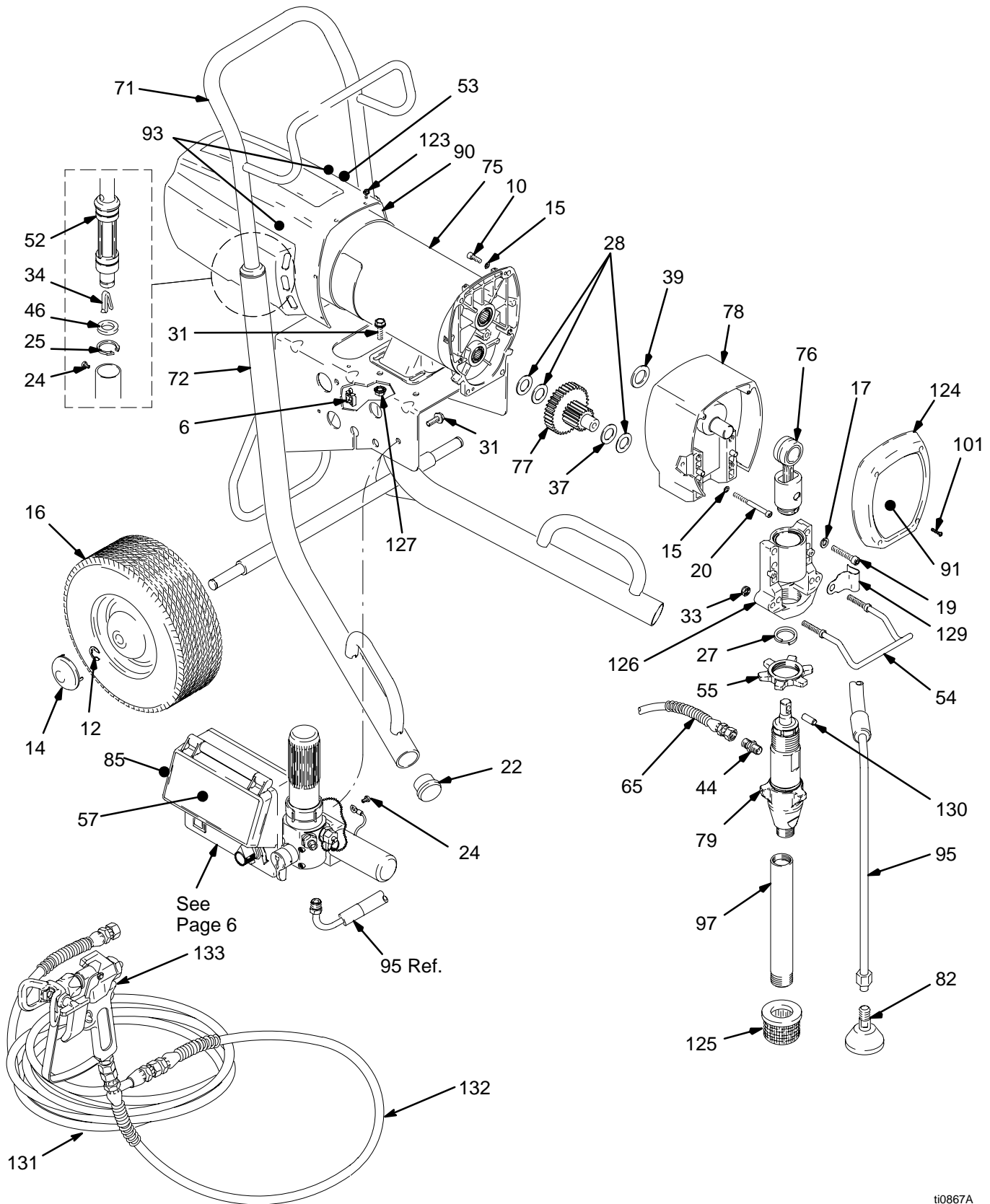


..... 309640

Spray Tip

Parts Drawing – Sprayer

Models 245020, 245021, 245030 – 245032



Parts List – Sprayer

Models 245020, 245021, 245030 – 245032

REF NO.	PART NO.	DESCRIPTION	QTY	REF NO.	PART NO.	DESCRIPTION	QTY
6	114687	CLIP, retainer	1		244209	1095	1
10	100644	SCREW, cap, sch	4	79	244197	PUMP, displacement	1
12	101242	RING, retaining, ext.	2			Manual 309277	
14	104811	CAP, hub	2	82	241920	DEFLECTOR, threaded	1
15	105510	WASHER, lock, spring (hi-collar)	6	85	195833▲	LABEL, WARNING	1
16	106062	WHEEL, semi pneumatic	2	90		SHIELD, motor	
17	106115	WASHER, lock spring (hi-collar)	4		244256	795	1
19	107210	SCREW, cap, socket hd	4		244258	1095	1
20	107218	SCREW, cap, sch	2	91		LABEL, ident, front	
22	108691	PLUG, tubing	2		196716	795	1
24	109032	SCREW, mach, pnh	5		196719	1095	1
25	110243	RING, retaining	2	93		LABEL, ident, side, Ultra	
27	176817	SPRING, retaining	1		196718	795	2
28	114672	WASHER, thrust	3		196720	1095	2
31	111801	SCREW, cap, hex hd	6	95	244240	HOSE, drain	1
33	112746	NUT, hex	2	97	196968	TUBE, intake	1
34	112827	BUTTON, snap	1	101	114418	SCREW, self tap, fil hd	4
37	114699	WASHER, thrust	1	123	115492	SCREW, mach, slot, hex wash hd	6
39	161191	WASHER, thrust	1	124		COVER, housing	
44	162453	NIPPLE	1		244244	795	1
46	183350	WASHER	2		244246	1095	1
52	192027	SLEEVE, cart	2	125	187147	STRAINER, inlet	1
53	195805▲	LABEL, DANGER, ST	1	126	240014	HOUSING, bearing	1
54	192719	HANGER, pail	1	127	110996	NUT, hex, flanged	4
55	192723	NUT, retaining	1	129	197124	CLIP, spring	1
57	196670	LABEL, ctrl box cover, Ultra	1	130	176818	PIN, str, hdls	1
61	206994	FLUID, tsl 8 oz bottle	1	131†	240794	HOSE, grounded, nylon, 1/4 in. ID, cpld 1/4 npsm(f), 50 ft (15 m) spring guards both ends	1
65	243994	HOSE, coupled, 1/4 in. x 16.25 in.	1				
71	239998	HANDLE, cart	1				
72	196617	FRAME, cart	1	132†	238358	HOSE, grounded, nylon, 3/16 in. ID, cpld 1/4 npsm(f), 3 ft (.9 m), spring guards both ends	1
75		MOTOR, electric					
	243721*	795	1				
	243723*	1095	1	133†	246440	SPRAY GUN	1
76	241008	ROD, connecting	1			Manual 309639	
77	244264	GEAR, combination includes 28 and 37	1				
78		HOUSING, drive					
	244207	795	1				

▲Extra Danger and Warning tags and labels available free.

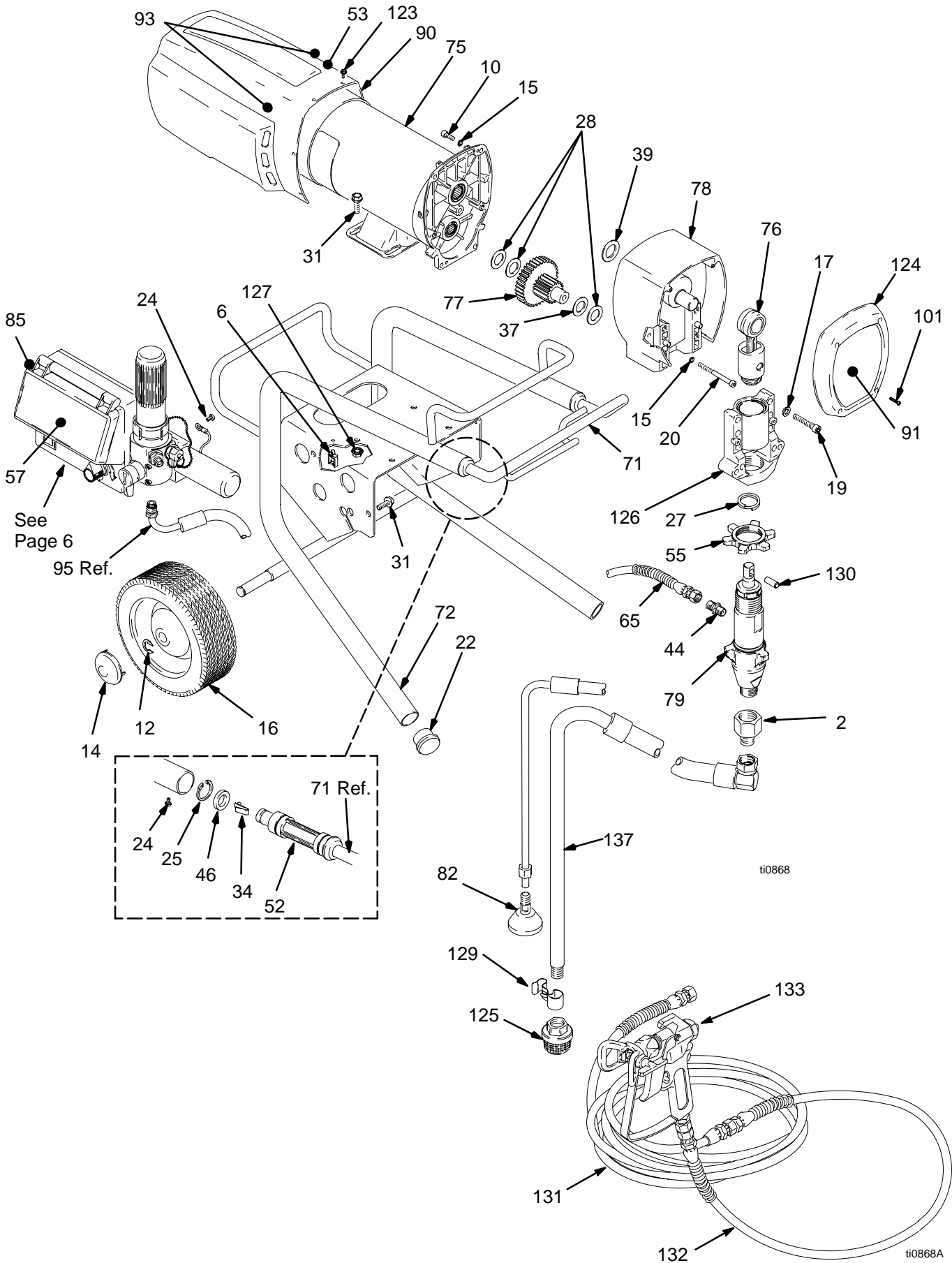
*Motor Brush Repair Kit 220853 is available.

Order separately.

†Not part of Model 245020, 245030, 245032

Parts Drawing – Sprayer

Models 245022 & 245023



Parts List – Sprayer

Models 245022 & 245023

REF NO.	PART NO.	DESCRIPTION	QTY	REF NO.	PART NO.	DESCRIPTION	QTY
2	104969	BUSHING, reducing	1	79	244197	PUMP, displacement	1
6	114687	CLIP, retainer	1			Manual 309277	
10	100644	SCREW, cap, sch	4	82	241920	DEFLECTOR, threaded	1
12	101242	RING, retaining, ext.	2	85	195833▲	LABEL, WARNING	1
14	104811	CAP, hub	2	90	244256	SHIELD, motor	1
15	105510	WASHER, lock, spring (hi-collar)	6	91	196716	LABEL, Ident, front	1
16	195766	WHEEL, semi pneumatic	2	92	196811	LABEL, wrap	1
17	106115	WASHER, lock spring (hi-collar)	4	93	196718	LABEL, ident, side, Ultra	1
19	107210	SCREW, cap, socket hd	4	95	244239	HOSE, drain	1
20	107218	SCREW, cap, sch	2	101	114418	SCREW, self tap, fil hd	1
22	107310	PLUG, tubing	2	123	115492	SCREW, mach, slot, hex	1
24	109032	SCREW, mach, pnh	5	124	244244	COVER, housing	1
25	116227	CLIP, retaining	2	125	187651	STRAINER, inlet	1
27	176817	SPRING, retaining	1	126	240014	HOUSING, bearing	1
28	114672	WASHER, thrust	3	127	110996	NUT, hex, flanged	4
31	111801	SCREW, cap, hex hd	6	129	195186	CLIP, spring	1
34	178565	BUTTON, snap	1	130	176818	PIN, str, hdls	1
37	114699	WASHER, thrust	1	131†	240794	HOSE, grounded, nylon, 1/4 in. ID, cpld 1/4 npsm(f), 50 ft (15 m) spring guards both ends	1
39	116191	WASHER, thrust	1				
44	162453	NIPPLE	1				
46	195673	WASHER	2	132†	238358	HOSE, grounded, nylon, 3/16 in. ID, cpld 1/4 npsm(f), 3 ft (.9 m), spring guards both ends	1
52	195501	SLEEVE, cart	2				
53	195805▲	LABEL, DANGER, ST	1				
55	192723	NUT, retaining	1	133†	246220	SPRAY GUN	1
57	196670	LABEL, ctrl box cover, Ultra	1			Manual 309639	
61	206994	FLUID, TSL 8 oz bottle	1	134	104969	BUSHING	1
65	243994	HOSE, coupled, 1/4" x 13"	1	137	244358	HOSE SET, suction	1
71	243205	HANDLE, cart	1			includes 82 95, 125, 129	
72	196746	FRAME, cart, Lo-Boy	1				
75	243721	MOTOR, ELECTRIC, 1.0HP	1				
76	241008	ROD, connecting	1				
77	244264	GEAR, COMBINATION	1				
78	244207	HOUSING, drive	1				

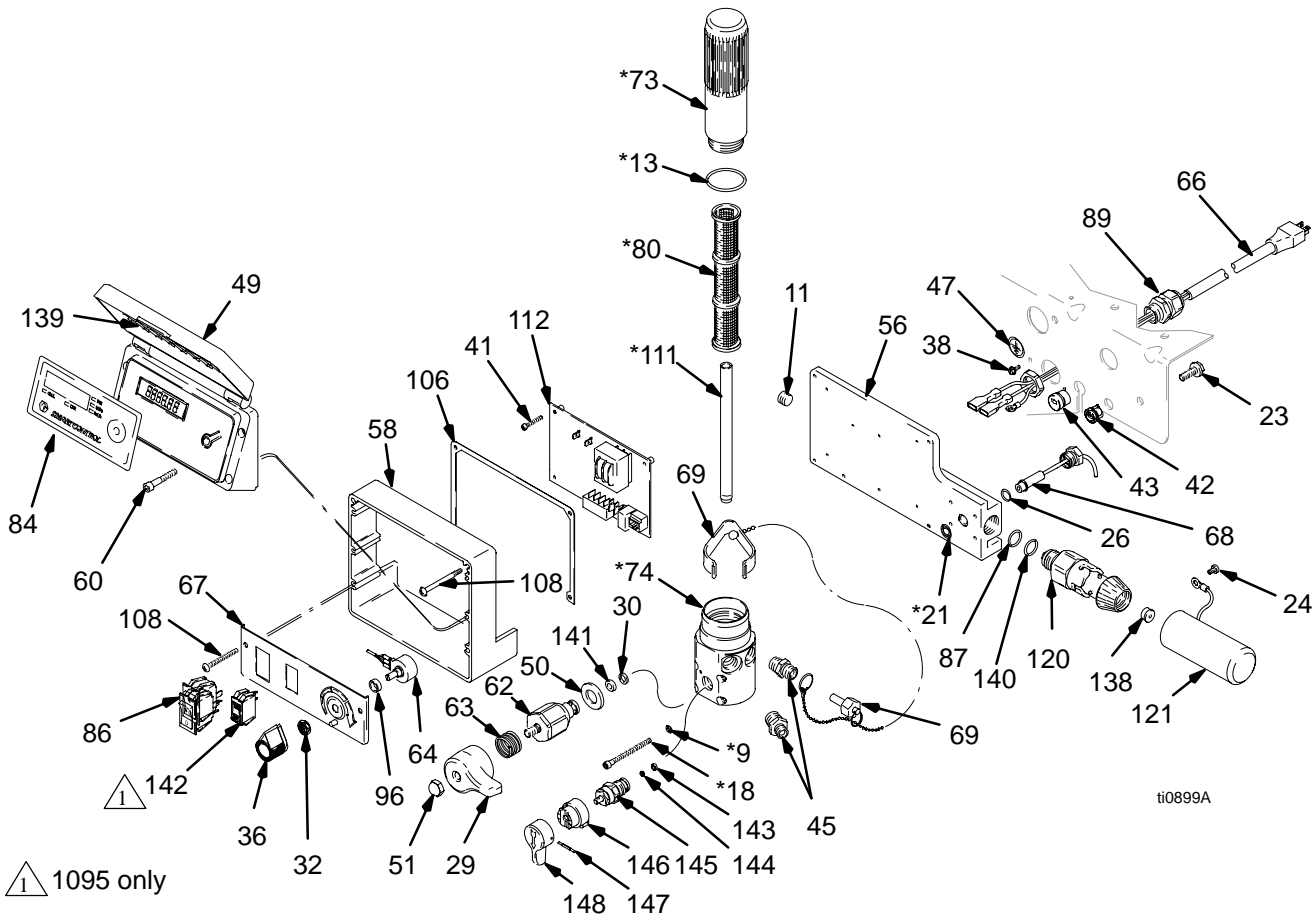
▲ *Extra Danger and Warning tags and labels available free.*

**Motor Brush Repair Kit 220853 is available. Order separately.*

† *Not part of Model 245020*

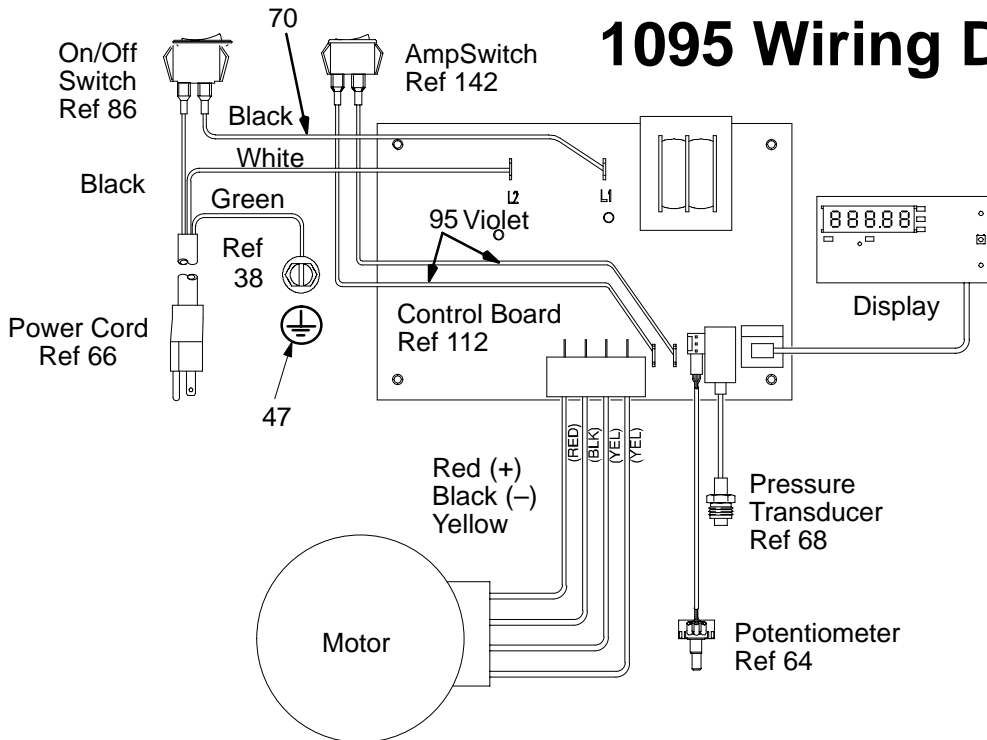
Parts Drawing – Sprayer

Models 245020 – 245023, 245030 – 245032



ti0899A

1095 Wiring Diagram

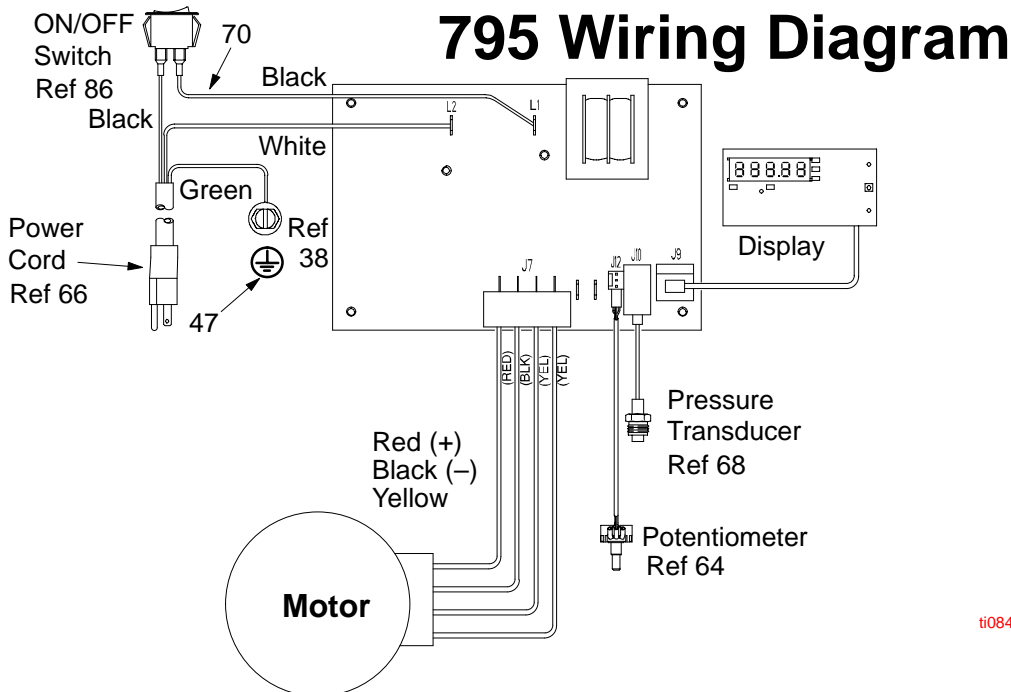


Parts List - Sprayer

Models 245020 – 245023, 245030 – 245032

REF NO.	PART NO.	DESCRIPTION	QTY	REF NO.	PART NO.	DESCRIPTION	QTY
9*	100020	WASHER, lock	4	69	244289	CLAMP, trigger, AutoClean	1
11	100721	PLUG, pipe	1	70		CONNECTOR, electrical	
13*	104361	PACKING, o-ring	1		197278	795	1
18*	107183	SCREW, cap,socket hd	4		197026	1095	1
21*	107505	PACKING, o-ring	1	73*	196675	BOWL, filter	1
23	111801	SCREW, cap,hex hd	2	74*	196676	HOUSING, filter	1
24	109032	SCREW, mach, pnh 1/4 x 10-32 unc	1	80*	244067	FILTER, FLUID, 60-mesh	1
26	111457	PACKING, o-ring	1	83	197156	LABEL, instruction, (not shown)	1
29	194102	HANDLE, valve, 1095	1	84	196668	LABEL, ULTRA, LCD	1
30	193710	SEAL, seat, valve, 1095	1	86	116098	SWITCH, power	1
32	112382	NUT, shaft, sealing	1	87	197055	SEAL, washer	1
36	116167	KNOB, pot	1	89	116171	BUSHING, strain relief	1
38	114391	SCREW, grounding	1	95	197027	CONNECTOR, electrical	2
41	114420	SCREW, mach,pnh, sems, phillips	6	96	116200	SPACER, shaft	1
42	116354	BUSHING, strain relief	1	106	196707	GASKET, control, ULTRA	1
43	114689	BUSHING, strain relief	1	108	116304	SCREW, mach,pan hd	4
45	164672	ADAPTER	2	111*	196786	DIFFUSER, tube	1
47	186620	LABEL, symbol, ground	1	112	244237	BOARD, control	1
49	244228	DISPLAY, digital includes 57, 84, 139	1	120	244253	VALVE, flush includes 87	1
50	114797	GASKET, 1095	1	121	197178	COVER, AutoClean	1
51	114688	NUT, cap, 1095	1	138	115524	GASKET	1
56	196699	PLATE, power bar	1	139	196669	LABEL, instruction	1
58	196191	HOUSING, control	1	140	102982	O-RING	1
60	116252	SCREW, #8 taptite phil	4	141	193709	SEAT, valve, 1095	1
62	245103	VALVE, drain, 1095 includes 29, 30, 50, 51, 63, 141	1	142	116099	SWITCH, 15/20A	1
63	114708	SPRING, compression, 1095	1	143	111699	GASKET, seat, valve, 795	1
64	236352	POTENTIOMETER, adjust, pressure	1	144	187615	SEAT, valve, 795	1
66		CORD, power		145	235014	VALVE, drain, 795 includes 143, 144	1
	196831	795	1	146	224807	BASE, valve, 795	1
	196836	1095	1	147	111600	PIN, grooved, 795	1
67		PANEL, control		148	187625	HANDLE, valve, drain, 795	1
	196678	795	1				
	233129	1095	1				
68	243222	TRANSDUCER, pressure contl includes 26	1				

* Included in Filter Repair Kit 244513



ti0848A

Graco Phone Number

TO PLACE AN ORDER, contact your Graco distributor, or call this number to identify the distributor closest to you:
1-800-690-2894 Toll Free

*All written and visual data contained in this document reflects the latest product information available at the time of publication.
Graco reserves the right to make changes at any time without notice.*

This manual contains English: mm 309260

Sales Offices: Minneapolis, Detroit
International Offices: Belgium, Korea, Hong Kong, Japan

www.graco.com

1/2001, Revised 5/2006