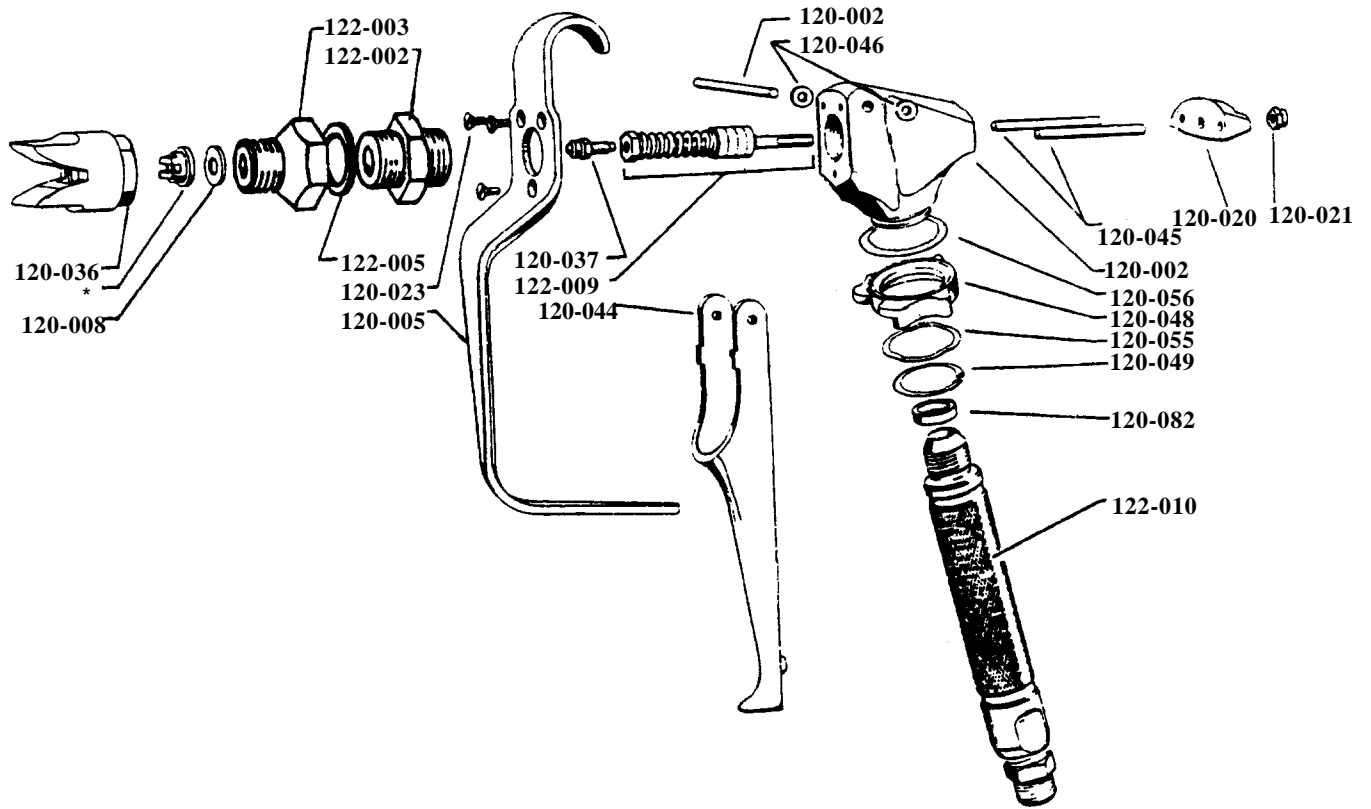


AIRLESSCO 007 HI BUILD MASTIC GUN



PART NO.	DESCRIPTION	PART NO.	DESCRIPTION
122-001	Airlessco 007 Hi Build Gun	120-022	Trigger Pin
120-002	Gun Head	120-023	Screw
122-005	Washer	122-003	Valve Seat Complete
122-002	Adapter	120-036	Tip Holder with guard
120-005	Guard	120-037	Valve Ball with holder
120-008	Tip Washer	120-044	Trigger
122-009	Valve Spring Unit	120-045	Retainer Pin
120-020	Retainer	120-046	Washer
120-021	Nut	120-048	Lock
120-082	Seal	120-049	Retaining Ring
122-010DE	Handle complete 3/8 NPSF	120-055	Wave Washer
122-010	Handle complete 3/8 NPSM	120-056	Washer
		*	Tungsten Carbide Tip