



# AutoPlus™ Valve

Airless Sealant and Adhesive Valve for Streaming, Spray and Extrusion



## Less maintenance and more system uptime!

- Durable stainless steel construction, longer life needle and seat construction specifically designed to handle the toughest sealant and adhesive materials
- Lightweight and compact rounded gun design
- Capable of handling high production speeds
- Fewer parts means an overall lower cost of repair
- Wide range tip line for a variety of applications
- Capable of handling multiple nozzle sizes for any application

PROVEN QUALITY. LEADING TECHNOLOGY.



# Simply a Workhorse

## Sealer Application Tip Selection Charts

For Model 288554 with Tip Nut 198391

Streaming Tips		
Part No.	Orifice Size inches (mm)	No. of Orifices
C08224	0.021 (0.533)	6
Shower Tip		
Part No.	Orifice Size inches (mm)	
270025	0.025 (0.635)	
270027	0.027 (0.686)	
270029	0.029 (0.737)	
270031	0.031 (0.787)	
270035	0.035 (0.889)	
270037	0.037 (0.940)	
270039	0.039 (0.991)	
270041	0.041 (1.041)	
270043	0.043 (1.092)	
270059	0.059 (1.500)	
Single Orifice Fan Pattern Spray Tips		
Part No.	Orifice Size inches (mm)	Fan Width at 12in (300mm) inches (mm)
182421	0.021 (0.533)	8-10 (200-250)
182521		10-12 (250-300)
182621		12-14 (300-350)
182721		14-16 (350-400)
182821		16-18 (400-450)
182423		0.023 (0.584)
182523	10-12 (250-300)	
182623	12-14 (300-350)	
182723	14-16 (350-400)	
182823	16-18 (400-450)	
182425	0.025 (0.635)	8-10 (200-250)
182525		10-12 (250-300)
182625		12-14 (300-350)
182725		14-16 (350-400)
182825		16-18 (400-450)
182427		0.027 (0.686)
182627	12-14 (300-350)	
182429	0.029 (0.737)	8-10 (200-250)
182629		12-14 (300-350)
182729		16-18 (400-450)
182431	0.031 (0.787)	8-10 (200-250)
182631		12-14 (300-350)
182831		16-18 (400-450)
182435	0.035 (0.889)	8-10 (200-250)
182535		10-12 (250-300)
182635		12-14 (300-350)
182439	0.039 (0.991)	8-10 (200-250)
182539		10-12 (250-300)
182639		12-14 (300-350)
182443	0.043 (1.092)	8-10 (200-250)
182543		10-12 (250-300)
182643		12-14 (300-350)
182943		18-20 (450-500)
182947	0.047 (1.194)	18-20 (450-500)

## Ordering Information

### Airless Spray Gun

288554 Auto Plus Gun

### Manifolds (required for gun installation)

241161 Standard 1/4 in npsm inlets

244930 High flow ambient or temperature conditioned manifold

### Accessories

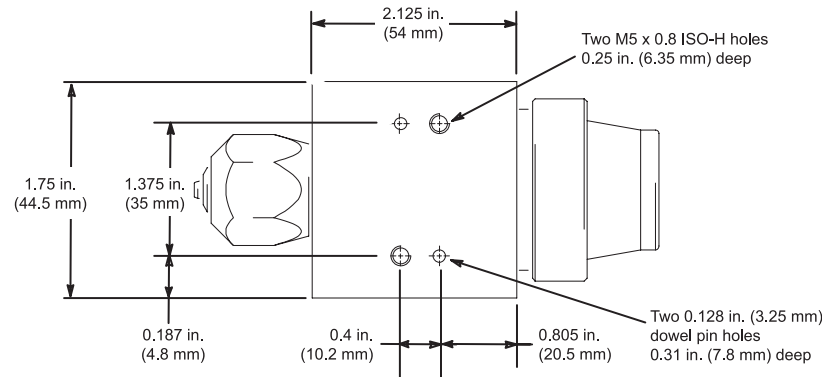
288171 Air Seal Repair Kit

239896 Fluid Seal Repair Kit

210500 In-Line Fluid Filter

288553 Upgrade Kit, *upgrade existing AP guns to the new design!*

## Manifold Mounting Hole Layout



## Technical Specifications

	AUTOPLUS GUN
Maximum fluid pressure	4000 psi (276 bar, 27.6 MPa)
Maximum working air pressure	100 psi (7 bar, 0.7 MPa)
Maximum cylinder air pressure	100 psi (7 bar, 0.7 MPa)
Minimum air cylinder actuating pressure	70 psi (4.9 bar, 0.5 MPa)
Maximum working fluid temperature	140°F (60°C)
Triggering speed	50-70 msec (fully open or close)
Wetted parts	stainless steel, carbide, UHMWPE, acetal, PEEK, PTFE
Gun weight	1.2 lb (545 g)
Dimensions	5.2 in L x 3.0 in H x 2.0 in W (135 mm L x 76 mm H x 51 mm W)
Instruction manual	311053

## Contact us today!

To receive product information or to request a hands-on demonstration, call 1-877-84GRACO or visit us online at [www.graco.com](http://www.graco.com)