

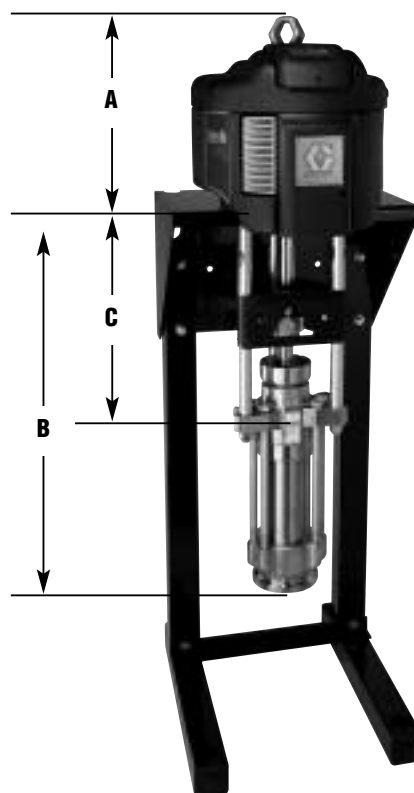
# Dura-Flo™ & Xtreme®

## 145cc Pneumatic Supply Pumps

### Durable pumps with long-life packing design

- Positive displacement, 2 ball piston design provides uniform and easily controlled delivery
- High pump pressure and flow performance to handle a broad range of paints and coatings
- Improved serviceability with fewer parts, faster repairs and lower ownership costs

### Dimensions



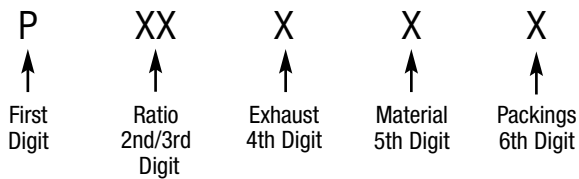
	<b>A</b>	<b>B</b>	<b>C</b>
<b>Dura-Flo</b>	34 cm (13.52 in)	73 cm (28.62 in)	43 cm (16.79 in)
<b>Xtreme</b>	34 cm (13.52 in)	74 cm (29.3 in)	47 cm (18.56 in)

### Technical Specifications

<b>Model</b>	<b>Ratio</b>	<b>Max Inlet Pressure bar (psi)</b>	<b>Max Fluid Pressure bar (psi)</b>	<b>Fluid Flow @ 60 cpm lpm (gpm)</b>	<b>Inlet</b>	<b>Outlet</b>	<b>Pump Lower Material</b>	<b>Volume/ cycle cc (oz)</b>	<b>Weight</b>
Dura-Flo 31S145	31:1	7 (100)	209.6 (3040)	8.7 (2.3)	1-1/2" npt	3/4" npt	SS	145 (5)	42 kg (86 lb)
Xtreme 31C145	31:1	7 (100)	209.6 (3040)	8.7 (2.3)	1-1/4" npt	3/4" npt	CS	145 (5)	42 kg (86 lb)
Dura-Flo 46S145	46:1	7 (100)	327.5 (4750)	8.7 (2.3)	1-1/2" npt	3/4" npt	SS	145 (5)	51 kg (92 lb)

# Ordering Information

## Dura-Flo and Xtreme 145cc



Ratio		Exhaust			Material	Packings		
Char	Motor	Char	Exhaust	Smarts	C = Carbon Steel S = Stainless Steel	Char	Packing	Lower part number
31	2200	D	De-Icing	None			1	3 Xtreme/2 Leather
46	3400	E	De-Icing	DataTrak		H	PTFE/Leather	247168 or 236458 (SS)
		L	Low Noise	None				
		M	Low Noise	DataTrak				

## Standard Kits

- 244850** Xtreme / Leather seal and ball kit (for Xtreme)
- 237234** Leather seal and ball kit (for Dura-Flo)
- 197315** Xtreme cylinder
- 184503** Dura-Flo cylinder
- 15J093** Xtreme rod
- 190172** Dura-Flo piston rod

## Optional Kits

- 244900** Tuff-Stack™ seal and ball kit
- 237609** XtremeSeal / PTFE seal and ball kit
- 237236** PTFE seal and ball kit (10)
- 244869** Leather throat seals (10)
- 244863** Xtreme throat seals (10)
- 244857** Tuff-Stack throat seals (10)

## Accessories

- NXT011** Integrated air control
- 255143** Wall mount bracket
- 253679** Wall mount bracket
- 253692** Floor stand
- 112887** Packing wrench
- 247312** 2200 air motor adapter for mounting to floor stand (253692) or to wall mount bracket (253679)

## Manuals

- 311828** Dura-Flo pump manual
- 311762** Xtreme Lowers manual
- 311827** Dura-Flo pump lower manual
- 311238** NXT Air Motor manual