

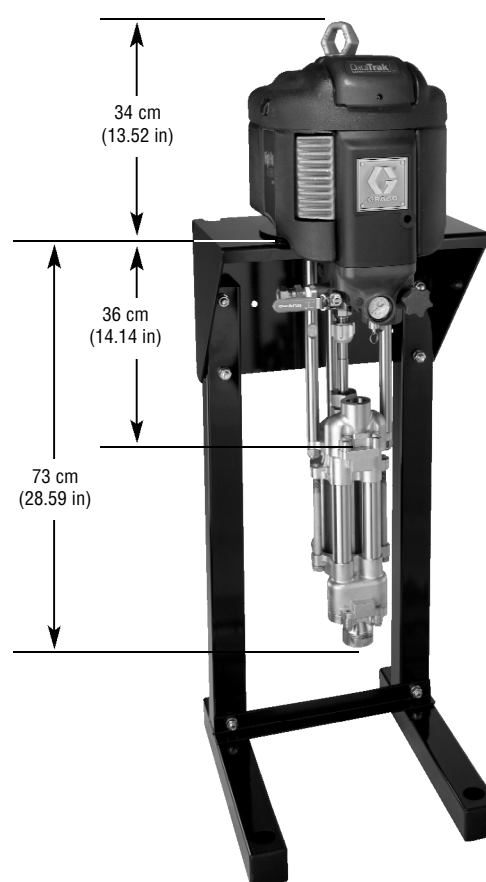
High-Flo®

1000 series Pneumatic Supply Pumps

Midrange High-Flo pumps provide increased performance and a lower cost of ownership.

- Positive displacement, 4 ball piston design provides large output per cycle for reduced pump wear
- Small displacement rod design reduces sealing area to minimize throat leakage
- Gentle pumping action produces a low shear output for shear sensitive materials
- Stainless steel and Severe Duty carbon steel models available to handle a variety of fluids

Dimensions

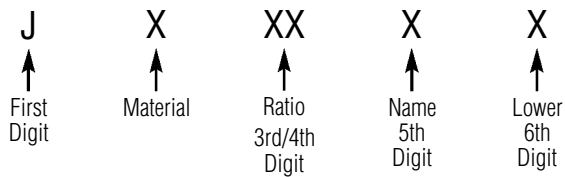


Technical Specifications

Model	4_1000
Inlet air pressure	2.8-7 bar (40-100 psi)
Max fluid pressure	28 bar (400 psi)
Flow at 60 cpm	64 lpm (17 gpm)
Volume per cycle	1.07 l (0.28 gal)
Air motor size	15 cm (6 in)
Pump inlet	1-1/2" npt
Pump outlet	1" npt
Weight	39 kg (84 lb)
Instruction manual	311211

Ordering Information

High Flo 1000's



Material		Ratio		Name			Lower				
C = carbon steel S = stainless steel	Ratio x10	Motor	Lower	Digit	Exhaust	Smarts	Digit	Fittings	Rod Material	Cylinder Material	Lower Pin
	40	2200	1000	L	Low Noise	None	1	NPT	Chromex	Chrome	253033
				M	Low Noise	DataTrak	2	NPT	Maxlife	Maxlife	253568
				N	Low Noise	DataLink	3	BSPP	Chromex	Chrome	253423
				R	Remote	None	4	BSPP	Maxlife	Maxlife	253398
				S	Remote	DataTrak	5	Tri-Clamp	Chromex	Chrome	253520
				T	Remote	DataLink	6	Tri-Clamp	Maxlife	Maxlife	253523
							7	NPT	Chromex	Nitride	253061

Standard Kits

- 277360** UHMWPE piston seal kit
- 277357** UHMWPE/Leather throat seal kit
- 15H280** Chromex piston rod
- 15H589** Maxlife piston rod
- 183047** Chrome cylinder
- 15H452** Maxlife cylinder
- 183032** Nitride cylinder (CS)

Optional Kits

- 277361** PTFE piston seal kit
- 239866** PTFE throat seal kit
- 277356** Leather throat seal kit

Accessories

- NXT011** Integrated air control
- 255143** Wall mount bracket kit
- 253692** Floor stand
- 253679** Wall mount bracket
- 247312** Wall mount and floor stand adapter for 2200 motor
- 110335** Packing wrench
- 261721** Wet cup booster cup