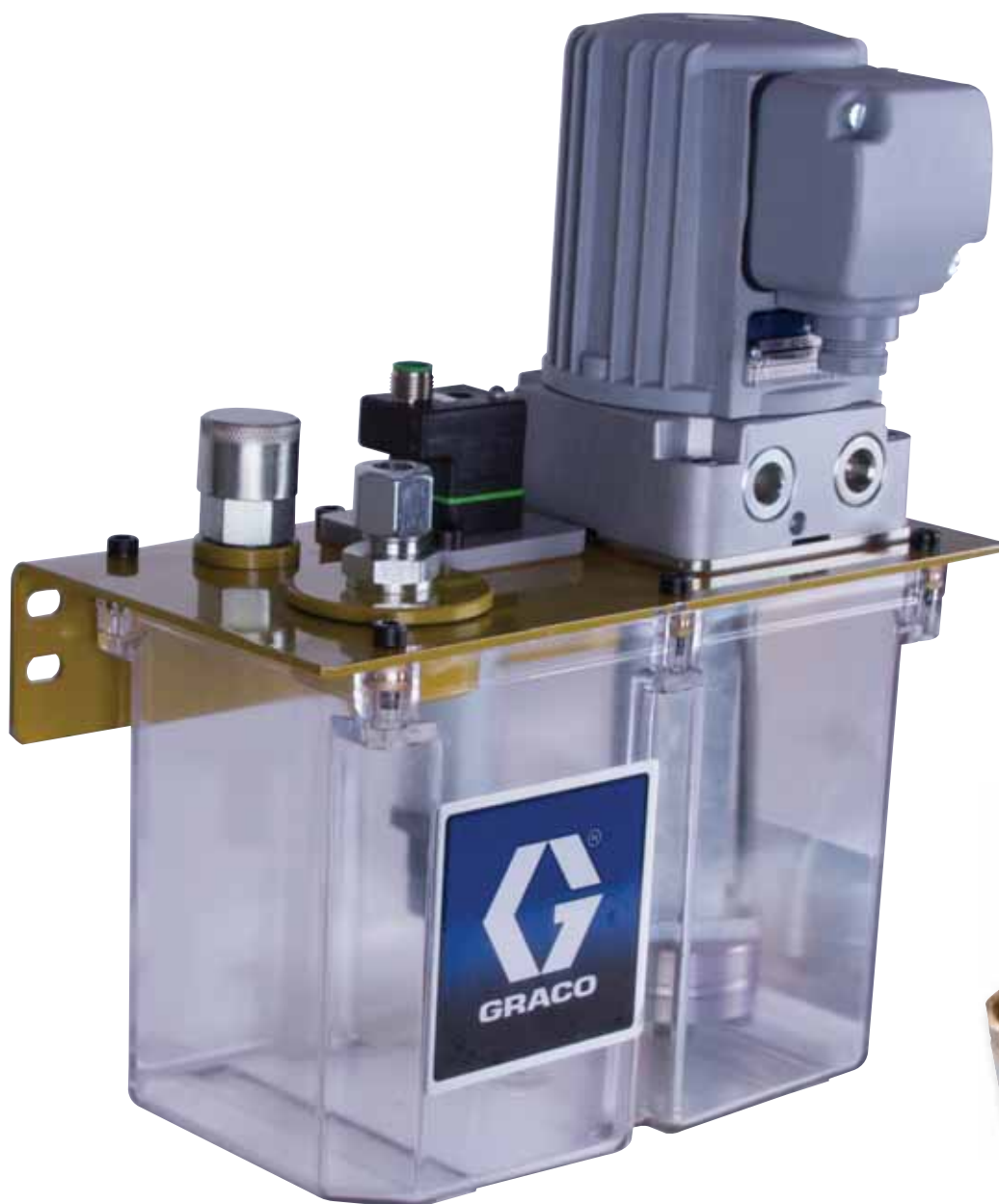




# Injecto-Flo<sup>®</sup> II



PROVEN QUALITY. LEADING TECHNOLOGY.

**PISTON DISTRIBUTOR FOR OIL AND FLUID GREASE**

**FUNCTION**

Piston distributors meter out and distribute the lubricant delivered by an intermittently actuated pump.

The quantities of lubricant for the individual lube points are determined by exchangeable metering nipples. The metered amount is indicated on the individual nipples. The amount needed to cover the total oil demand can then be further regulated via the lubricating frequency.

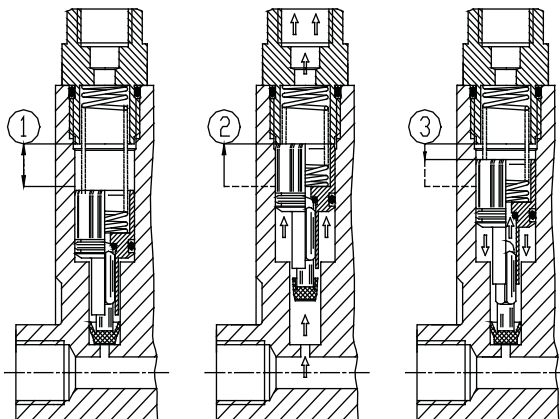
To meet the required quantities and comply with space constraints it is possible to choose among four distributor groups that differ in terms of their metering ranges and sizes.

The functional principle of the groups is the same, but there are differences in design. Different distributor groups can be used in one installation.

Distributor for Oil group	Quantity cm <sup>3</sup>
3400	0.01 0.03 0.06 0.1 0.16
3500	0.1 0.2 0.4 0.6
3900	0.2 0.4 0.6 1.0 1.5
Distributor for fluid grease group	Quantity cm <sup>3</sup>
3410	0.01 0.03 0.06 0.1
3510	0.1 0.2 0.3
3910	0.1 0.2 0.3

**FUNCTION**

1. The amount of lubricant intended for the lube point is stored in front of the piston in the distributor.
2. When the central lubrication pump begins to deliver lubricant, the piston moves and the lubricant in front of it is fed to the lube point at a main line pressure of 10-45 bars.
3. When pump delivery stops and main line pressure is relieved, the distributor's piston returns to its initial position and transfers a measured quantity of lubricant into the space in front of it.



## SINGLE-LINE LUBRICATION SYSTEM WITH PISTON DISTRIBUTOR FOR OIL OR FLUID GREASE

### FUNCTION

A pump feeds the lubricant through the main line to the piston distributors. From there it is directed to the lube points in precisely metered quantities. This takes place in a time- or pulse-controlled sequence.

### PLANNING

1. Determine the type of drive to be used for the lube pump (manual, electric, or pneumatic).
2. Select the lubricant. Then determine the pump unit and type of distributors.
3. Determine the number of lube points and define the amount of lubricant required to meet the needs of each point. Ascertain the total amount of lubricant needed per unit of time or clock pulse. Then determine the reservoir size based on total delivery volume and desired refill frequency.

### CHOICE OF DISTRIBUTORS

Select the piston distributors on the basis of the metered quantity and spatial constraints.

The ratio of the metered quantities in respect to each other should be the same as the consumption of the individual lube points.

The total amount needed by the installation is then regulated by the number of lube cycles per unit of time.

### INSTALLATION LAYOUT

When installing a central lubrication system, route the main lines and distributors in such a way that any air in the system can escape on its own via the lube points.

To do so, mount the distributors at appropriate places and at the end of the installation in such a way that the connections to the lube points point upward (Fig. 1).

The main lines from the pump to the distributors should, if possible, be installed with a rising gradient.

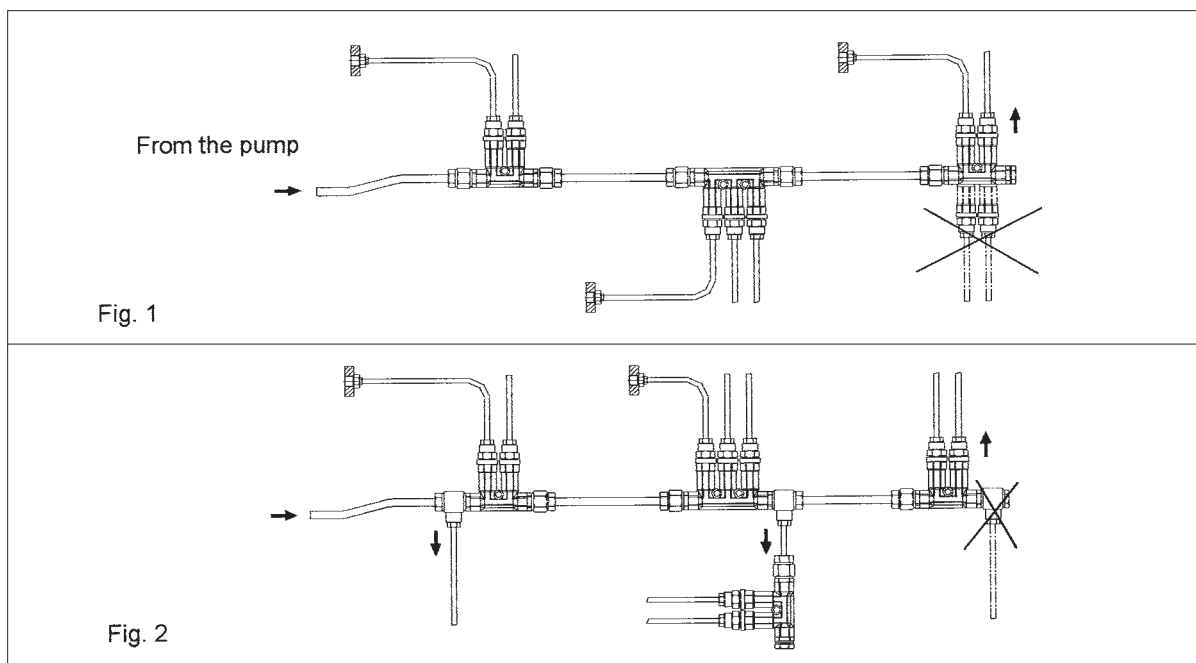
If lines have to be routed to distributors at lower locations, proceed in accordance with Fig. 2.

Check the main-line resistance values, especially in regard to the relief routine, with very large systems, ones with a large number of branches or when highly viscous lubricants are used.

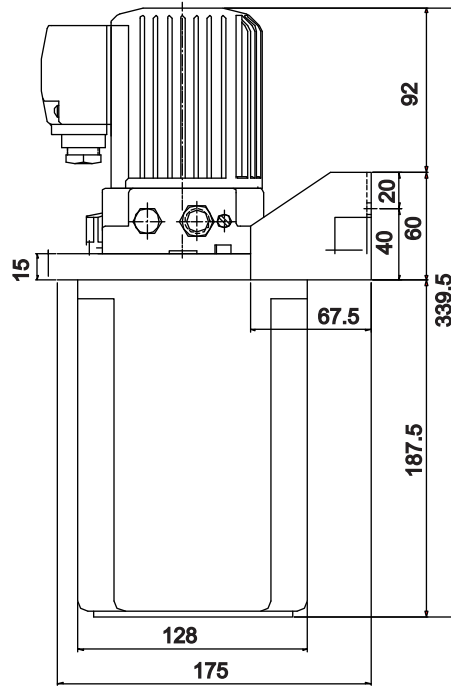
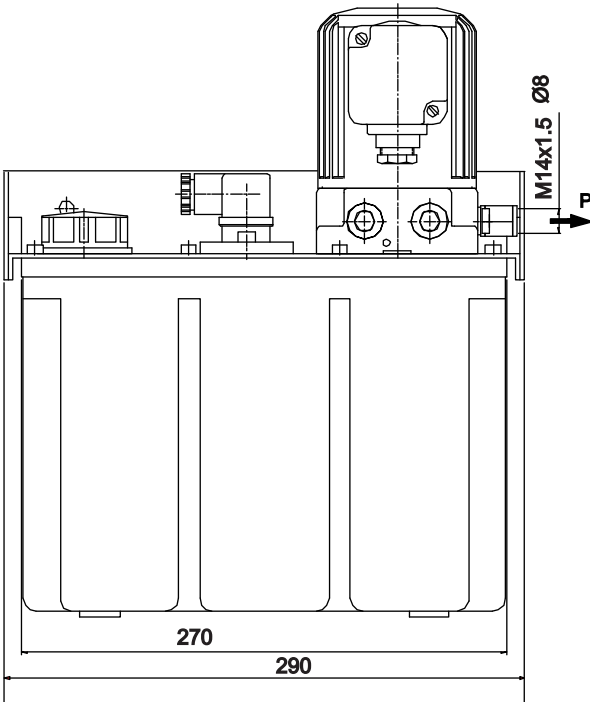
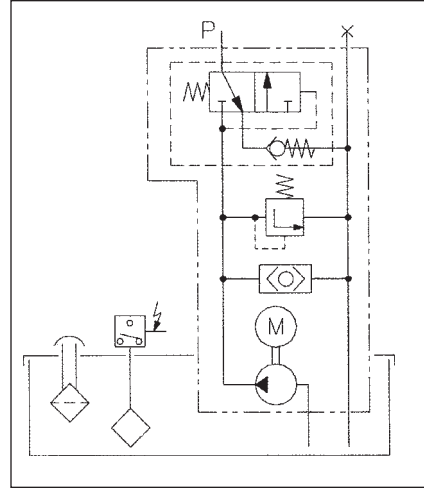
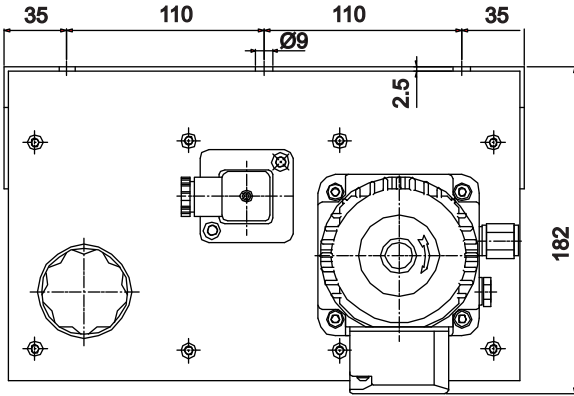
Each distributor port may be connected to only one lube point!

Do not connect the secondary line (distributor outlet connection) to the lube point until bubble-free lubricant emerges at the line end after repeated actuation of the pump. **NOTE:** It might be necessary to pre-fill long secondary lines with lubricant.

If a secondary line becomes blocked or broken, it will not effect the remaining lube points in the system.



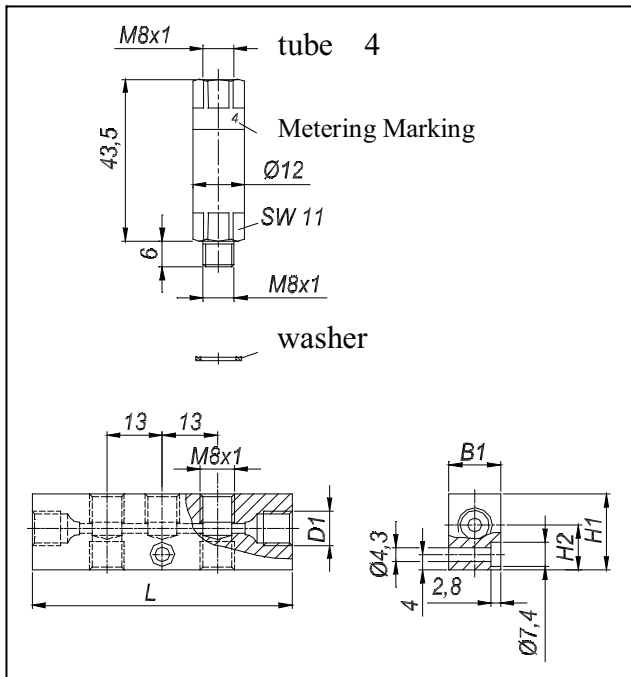
**PUMP SPECIFICATIONS**



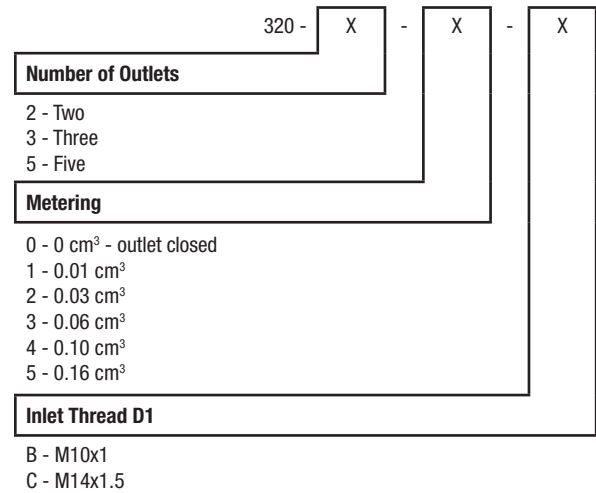
Pump Specs	564138 (513-001-200)	122591- (513-002-201)
Lubricants	Oil 50-1000 cSt	Fluid Grease NLGI 000,00
Output	0.5 L/min (30 in <sup>3</sup> /min)	0.2 L/min (12 in <sup>3</sup> /min)
Pressure	25 bar (360 psi)	40 bar (580 psi)
Reservoir Capacity	6 Liter (1.6 gallon) plastic	
Voltage, Current	230/400 VAC 50 Hz, 0.66 A /0.38A 276/480 VAC 60 Hz, 0.75A /0.43A	
Low Level Switch	Max. Voltage 250 VAC, 0.8A	

Consult Graco factory for availability of electrical pumps for automotive specifications.

**PISTON DISTRIBUTOR FOR OIL**  
**GROUP 3200 0.01 – 0.16 CM<sup>3</sup>**



**ORDER KEY:**



**Order Example:**

Distributor group: 3200  
 with 3 outlets key: 3  
 marking from the left to the right: 0.06 - 0.10 - 0.03

**Order Key: 3 4 2**  
 Inlet Thread of the Distributor Manifold (M10x1)  
 Order Key: **B**

**Order Key: 320 3-342-B**

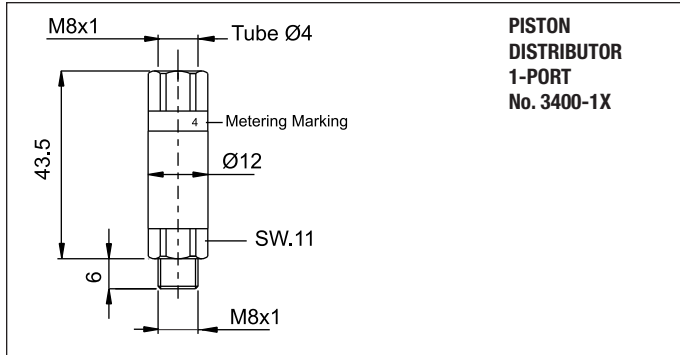
**Specifications**

Operating Pressure: 10 - 45 bar  
 Medium: Oil  
 Viscosity: 32 to 2000 cSt  
 Temperature Range: +0°C to + 70°C  
 Perm. Residual Pressure: Max. 1.5 bar

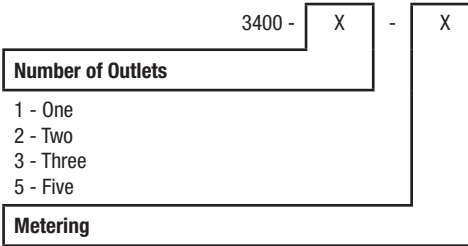
Manifold Part No.	Manifold Old Part No.	Number of lubrication points	Thread D1	Main line Ø	B1	H1	H2	L
558333	513-000-100	2						52
558335	513-000-102	3	M10 x 1	6	13	17	10.5	65
558337	513-000-104	5						65
558334	513-000-101	2						61
558336	513-000-103	3	M14 X 1.5	8	18	20	11	74
558338	513-000-105	5						74

Thread	Plug (Old Part No.)	Washer (Old Part No.)
M8 x 1	558151 (435-702-261)	558153 (435-702-415)
M10 x 1	558192 (435-702-361)	558154 (435-702-416)
M14 x 1.5	564139 (513-000-200)	564140 (513-000-201)

**PISTON DISTRIBUTOR FOR OIL**  
**GROUP 3400 0.01 – 0.16 CM<sup>3</sup>**

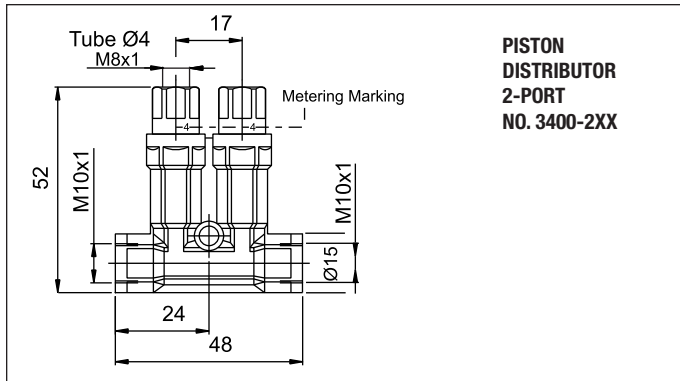


**ORDER KEY:**



- 0 - 0 cm<sup>3</sup> - outlet closed
- 1 - 0.01 cm<sup>3</sup>
- 2 - 0.03 cm<sup>3</sup>
- 3 - 0.06 cm<sup>3</sup>
- 4 - 0.10 cm<sup>3</sup>
- 5 - 0.16 cm<sup>3</sup>

Metering Nipple	Part No.	Old Part No.
.03 cc	558311	513-000-021
.06 cc	558312	513-000-022
.10 cc	558313	513-000-023
.16 cc	558314	513-000-024



**Order Example:**

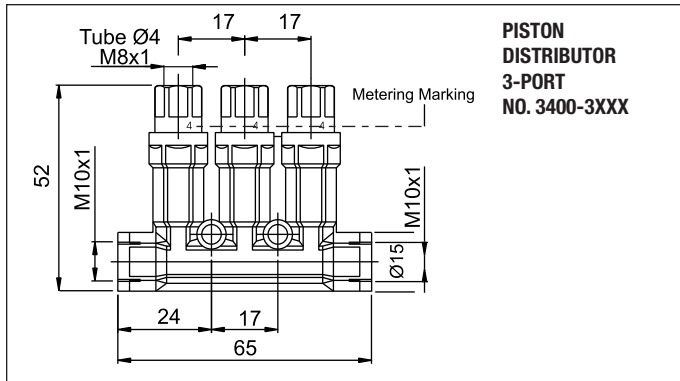
Distributor group: 3400  
 with 3 outlets key: 3  
 marking from the left to the right: 0.06 - 0.10 - 0.03 cm<sup>3</sup>

**Order Key: 3 4 2**

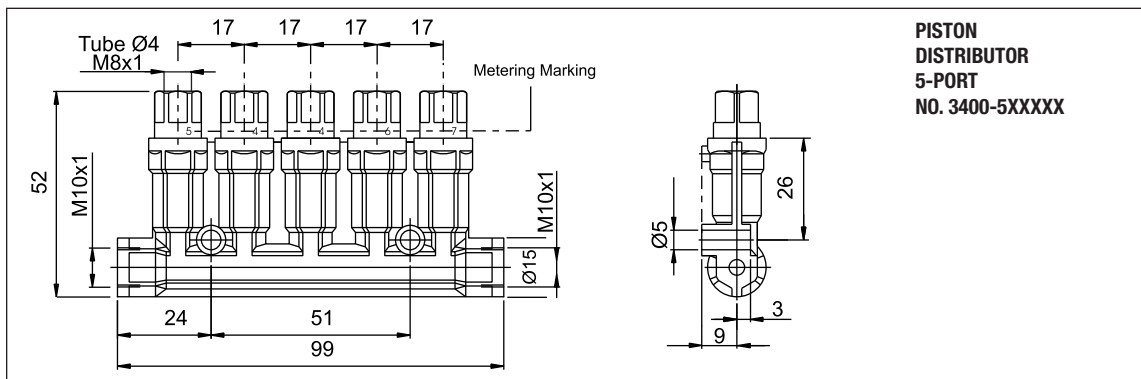
**Order Key: 3400-3-342**

**Specifications**

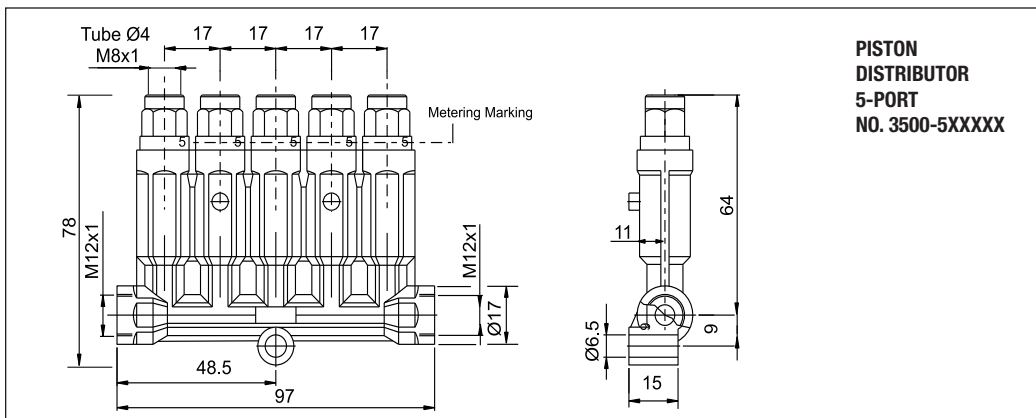
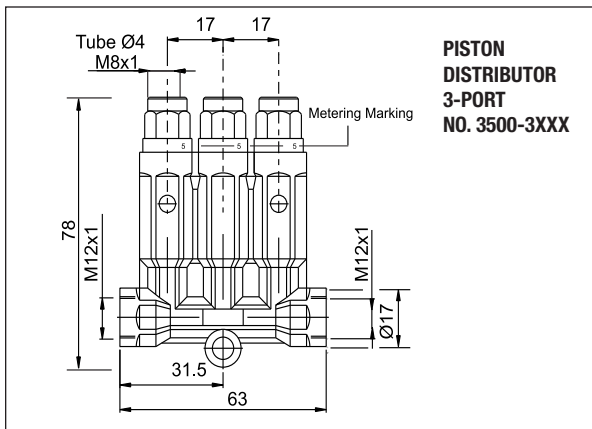
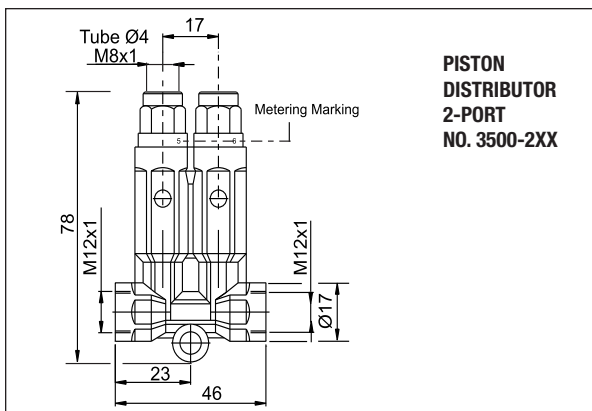
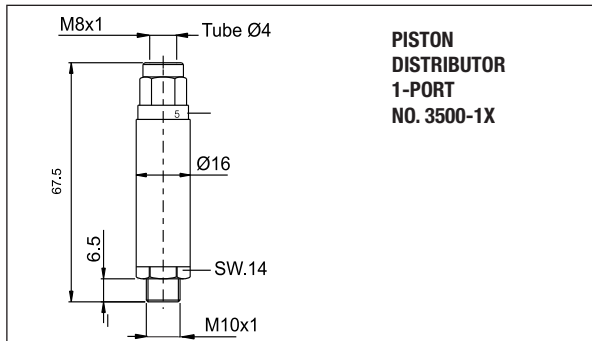
Operating Pressure: 10 - 45 bar  
 Medium: Oil  
 Viscosity: 32 to 2000 cSt  
 Temperature Range: +0°C to + 70°C  
 Perm. Residual Pressure: Max. 1.5 bar



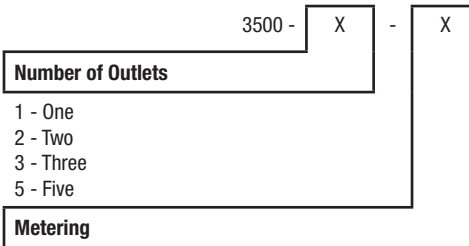
Thread	Plug (Old Part No.)	Washer (Old Part No.)
M8 x 1	558151 (435-702-261)	558153 (435-702-415)
M10 x 1	558192 (435-702-361)	558154 (435-702-416)



**PISTON DISTRIBUTOR FOR OIL**  
**GROUP 3500 0.10 – 0.60 CM<sup>3</sup>**



**ORDER KEY:**



- 0 - 0 cm<sup>3</sup> - outlet closed
- 4 - 0.10 cm<sup>3</sup>
- 5 - 0.20 cm<sup>3</sup>
- 6 - 0.40 cm<sup>3</sup>
- 7 - 0.60 cm<sup>3</sup>

Metering Nipple	Part No.	Old Part No.
.10 cc	558315	513-000-030
.20 cc	558316	513-000-031
.40 cc	558317	513-000-032
.60 cc	558318	513-000-033

**Order Example:**

Piston distributor group: 3500  
 with 3 outlets key: 3  
 marking from the left to the right: 0.60 - 0.20 - 0.40 cm<sup>3</sup>

**Order Key: 7 5 6**

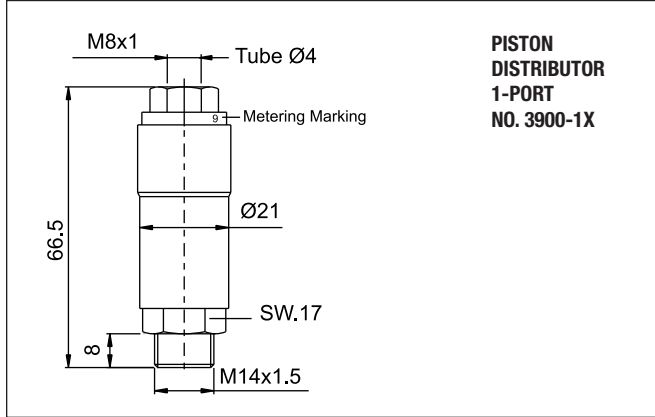
**Order Key: 3500-3-756**

**Specifications**

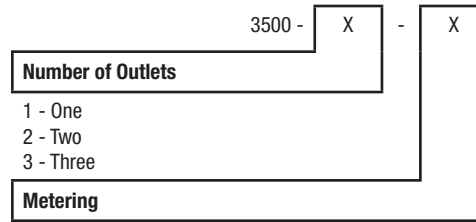
Operating Pressure: 10 - 45 bar  
 Medium: Oil  
 Viscosity: 32 to 2000 cSt  
 Temperature Range: +0°C to +70°C  
 Perm. Residual Pressure: Max. 1.5 bar

Thread	Plug (Old Part No.)	Washer (Old Part No.)
M8 x 1	558151 (435-702-261)	588153 (435-702-415)
M12 x 1	558152 (435-702-403)	558155 (435-702-417)

**PISTON DISTRIBUTOR FOR OIL**  
**GROUP 3900 0.20 – 1.50 CM<sup>3</sup>**



**ORDER KEY:**



**Number of Outlets**

- 1 - One
- 2 - Two
- 3 - Three

**Metering**

- 0 - 0 cm<sup>3</sup> - outlet closed
- 5 - 0.20 cm<sup>3</sup>
- 6 - 0.40 cm<sup>3</sup>
- 7 - 0.60 cm<sup>3</sup>
- 8 - 1.00 cm<sup>3</sup>
- 9 - 1.50 cm<sup>3</sup>

Metering Nipple	Part No.	Old Part No.
.20 cc	558319	513-000-040
.40 cc	558320	513-000-041
.60 cc	558321	513-000-042
1.00 cc	558322	513-000-043
1.50 cc	558323	513-000-044

**Order Example:**

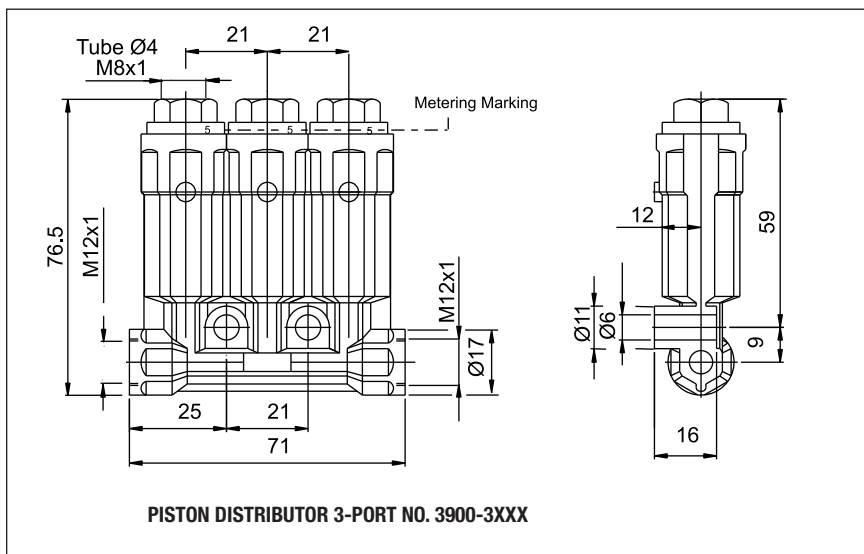
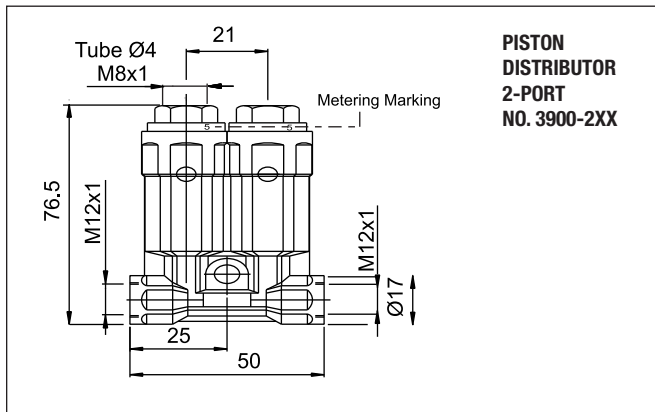
Distributor group: 3900  
 with 3 outlets key: 3  
 marking from the left to the right: 0.20 - 0.60 - 1.50 cm<sup>3</sup>

**Order Key: 5 7 9**

**Order Key: 3900-3-579**

**Specifications**

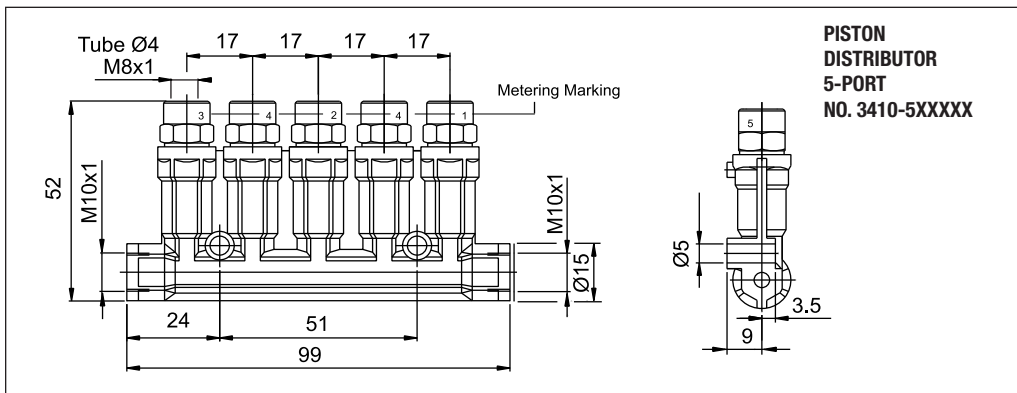
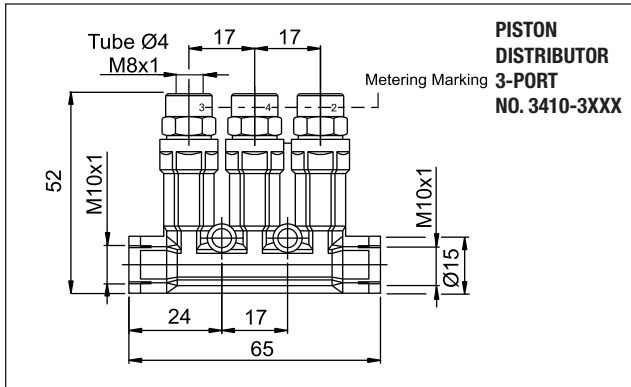
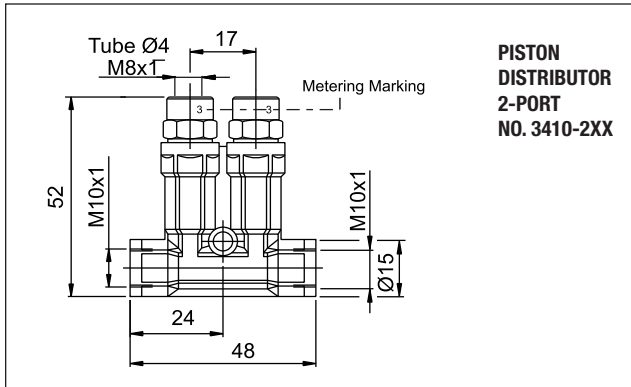
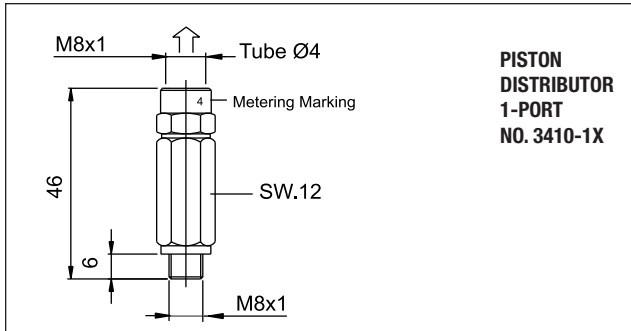
Operating Pressure: 10 – 45 bar  
 Medium: Oil  
 Viscosity: 32 to 2000 cSt  
 Temperature Range: +0°C to + 70°C  
 Perm. Residual Pressure: Max. 1.5 bar



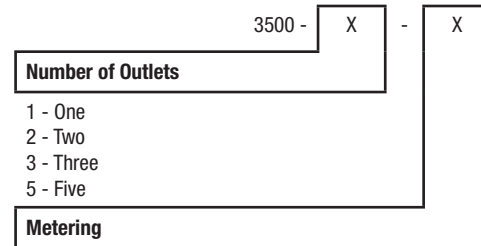
Thread	Plug (Old Part No.)	Washer (Old Part No.)
M8 x 1	558151 (435-702-261)	588153 (435-702-415)
M12 x 1	558152 (435-702-403)	558155 (435-702-417)



**PISTON DISTRIBUTOR FOR  
FLUID GREASE NLGI 000, 00  
GROUP 3410 0.01 – 0.10 CM<sup>3</sup>**



**ORDER KEY:**



- 1 - One
- 2 - Two
- 3 - Three
- 5 - Five

- Metering**
- 0 - 0 cm<sup>3</sup> - outlet closed
  - 1 - 0.01 cm<sup>3</sup>
  - 2 - 0.03 cm<sup>3</sup>
  - 3 - 0.06 cm<sup>3</sup>
  - 4 - 0.10 cm<sup>3</sup>

Metering Nipple	Part No.	Old Part No.
.03 cc	558324	513-000-051
.06 cc	558325	513-000-052
.10 cc	558326	513-000-053

**Order Example:**  
Piston distributor group: 3400  
with 3 outlets key: 3  
marking from the left to the right: 0.06 - 0.10 - 0.03 cm<sup>3</sup>

**Order Key: 3 4 2**

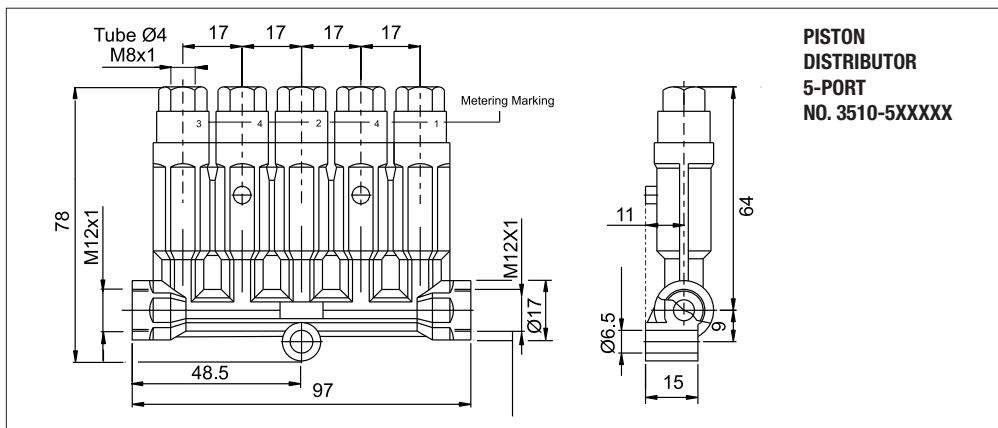
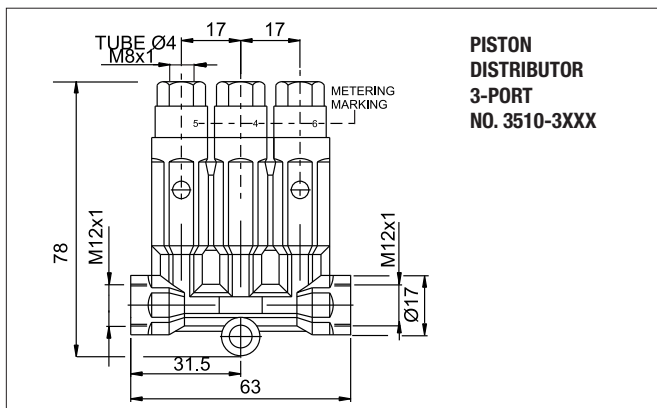
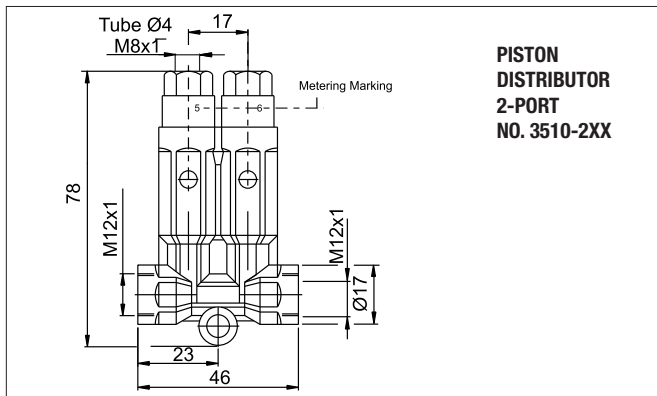
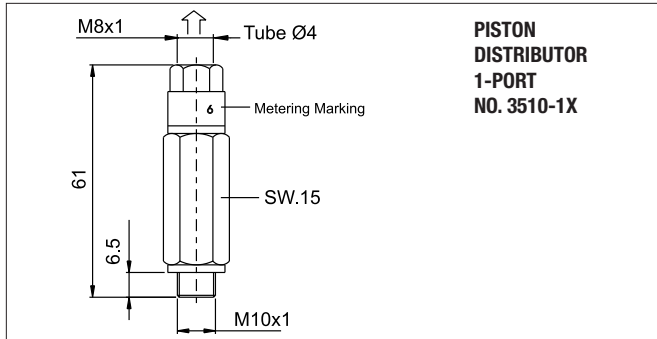
**Order Key: 3410-3-342**

**Specifications**  
Operating Pressure: 10 - 45 bar  
Medium: Grease NLGI 000, 00  
Temperature Range: +0°C to +60°C  
Perm. Residual Pressure: Max. 1.5 bar

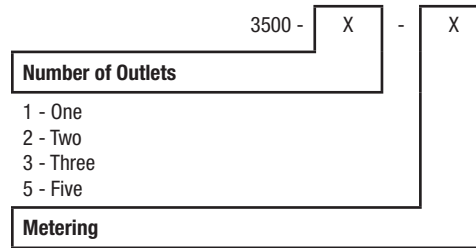
Thread	Plug (Old Part No.)	Washer (Old Part No.)
M8 x 1	558151 (435-702-261)	588153 (435-702-415)
M10 x 1	558192 (435-702-361)	558154 (435-702-416)

**PISTON DISTRIBUTOR FOR  
FLUID GREASE NLGI 000,00**

**GROUP 3510 0.10 – 0.30 CM<sup>3</sup>**



**ORDER KEY:**



	Metering Nipple	Part No.	Old Part No.
0 - 0 cm <sup>3</sup> - outlet closed	.10 cc	558327	513-000-060
4 - 0.10 cm <sup>3</sup>	.20 cc	558328	513-000-061
5 - 0.20 cm <sup>3</sup>	.30 cc	558329	513-000-062
6 - 0.30 cm <sup>3</sup>			

**Order Example:**

Piston distributor group: 3510  
with 3 outlets key: 3  
marking from the left to the right: 0.20 - 0.10 - 0.03 cm<sup>3</sup>

**Order Key: 5 4 6**

**Order Key: 3510-3-546**

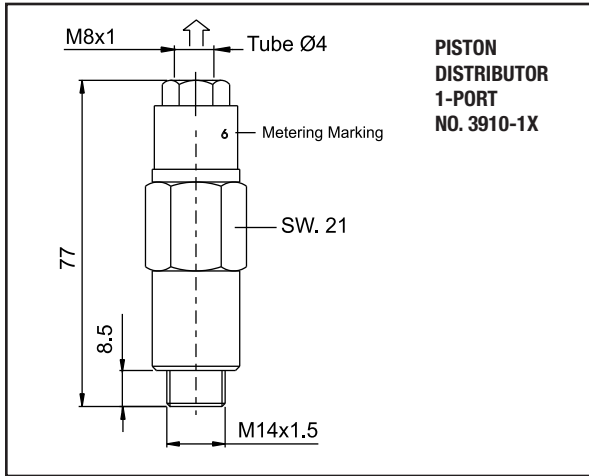
**Specifications**

Operating Pressure: 10 - 45 bar  
Medium: Grease NLGI 000, 00  
Temperature Range: +0°C to + 60°C  
Perm. Residual Pressure: Max. 1.5 bar

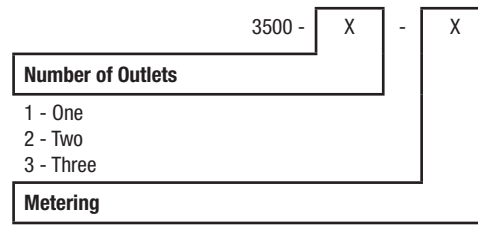
Thread	Plug (Old Part No.)	Washer (Old Part No.)
M8 x 1	558151 (435-702-261)	558153 (435-702-415)
M12 x 1	558152 (435-702-403)	558155 (435-702-417)

**PISTON DISTRIBUTOR FOR  
FLUID GREASE NLGI 000,00,0**

**GROUP 3910 0.10 – 0.30 CM<sup>3</sup>**



**ORDER KEY:**



- Number of Outlets  
1 - One  
2 - Two  
3 - Three

**Metering**

- 0 - 0 cm<sup>3</sup> - outlet closed  
4 - 0.10 cm<sup>3</sup>  
5 - 0.20 cm<sup>3</sup>  
6 - 0.30 cm<sup>3</sup>

Metering Nipple	Part No.	Old Part No.
.10 cc	558330	513-000-070
.20 cc	558331	513-000-071
.30 cc	558332	513-000-072

**Order Example:**

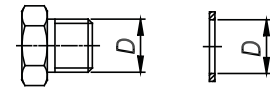
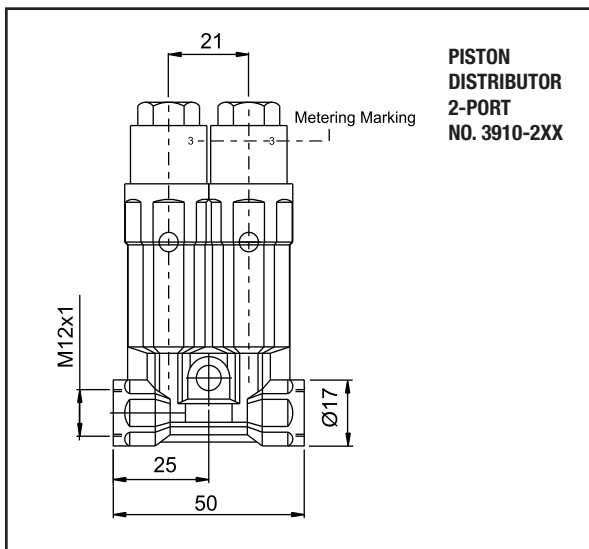
Piston distributor group: 3910  
with 3 outlets key: 3  
marking from the left to the right: 0.20 - 0.30 cm<sup>3</sup>

**Order Key: 5 6**

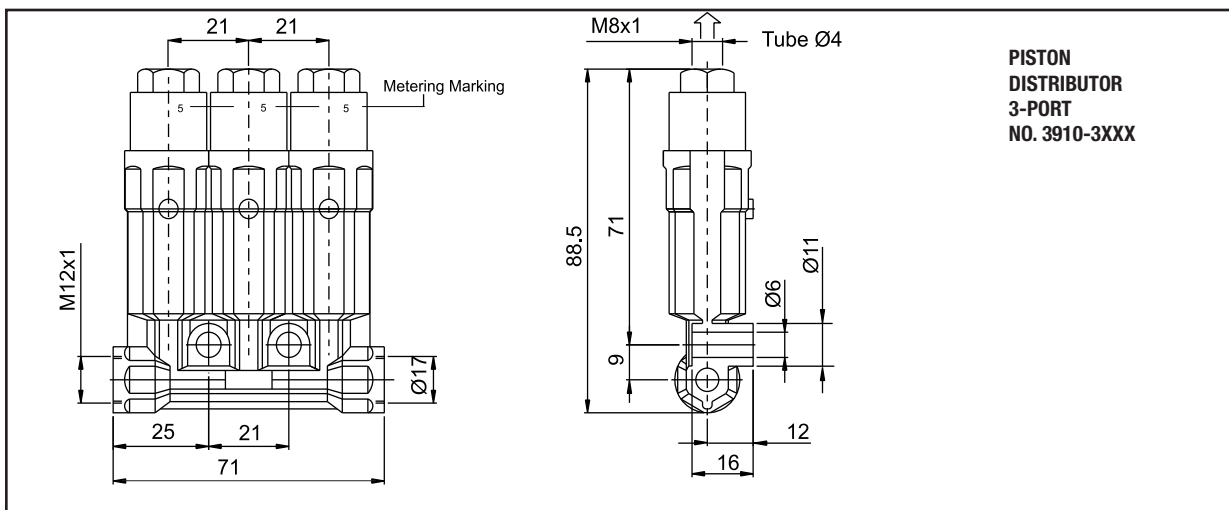
**Order Key: 3910-3-56**

**Specifications**

Operating Pressure: 10 - 45 bar  
Medium: Grease NLGI 000,00,0  
Temperature Range: +0°C to +60°C  
Perm. Residual Pressure: Max. 1.5 bar



Thread	Plug (Old Part No.)	Washer (Old Part No.)
M8 x 1	558151 (435-702-261)	588153 (435-702-415)
M12 x 1	558152 (435-702-403)	558155 (435-702-417)



Oil Pump - 3L Reservoir (no control)				
Part No.	Reservoir Size (L)	Flow (lpm)	Level Switch	Refill Style
122545	3	0.2	None	Screw cap
122546	3	0.2	None	Straight Connector (10mm pipe)
122547	3	0.5	None	Screw cap
122548	3	0.5	None	Straight Connector (10mm pipe)
122549	3	0.2	Single w/DIN	Screw cap
122550	3	0.2	Single w/DIN	Straight Connector (10mm pipe)
122551	3	0.5	Single w/DIN	Screw cap
122552	3	0.5	Single w/DIN	Straight Connector (10mm pipe)
122553	3	0.2	Single w/M12 Top	Screw cap
15U859	3	0.2	Single w/M12 Top	Straight Connector (10mm pipe)
122554	3	0.5	Single w/M12 Top	Screw cap
122555	3	0.5	Single w/M12 Top	Straight Connector (10mm pipe)
122556	3	0.2	Dual w/DIN	Screw cap
122557	3	0.2	Dual w/DIN	Straight Connector (10mm pipe)
122558	3	0.5	Dual w/DIN	Screw cap
122559	3	0.5	Dual w/DIN	Straight Connector (10mm pipe)
122560	3	0.2	Dual w/M12 Top	Screw cap
122561	3	0.2	Dual w/M12 Top	Straight Connector (10mm pipe)
122562	3	0.5	Dual w/M12 Top	Screw cap
15U858	3	0.5	Dual w/M12 Top	Straight Connector (10mm pipe)
Oil Pump - 6L Reservoir (no control)				
Part No.	Reservoir Size (L)	Flow (lpm)	Level Switch	Refill Style
122563	6	0.2	None	Screw Cap
122564	6	0.2	None	Straight Connector (10mm pipe)
122565	6	0.5	None	Screw Cap
122566	6	0.5	None	Straight Connector (10mm pipe)
122567	6	0.2	Single w/DIN	Screw Cap
122568	6	0.2	Single w/DIN	Straight Connector (10mm pipe)
564138	6	0.5	Single w/DIN	Screw Cap
122569	6	0.5	Single w/DIN	Straight Connector (10mm pipe)
122570	6	0.2	Single w/M12 Top	Screw Cap
122571	6	0.2	Single w/M12 Top	Straight Connector (10mm pipe)
122572	6	0.5	Single w/M12 Top	Screw Cap
122573	6	0.5	Single w/M12 Top	Straight Connector (10mm pipe)
122574	6	0.2	Dual w/DIN	Screw Cap
122575	6	0.2	Dual w/DIN	Straight Connector (10mm pipe)
122576	6	0.5	Dual w/DIN	Screw Cap
122577	6	0.5	Dual w/DIN	Straight Connector (10mm pipe)
122578	6	0.2	Dual w/M12 Top	Screw Cap
122579	6	0.2	Dual w/M12 Top	Straight Connector (10mm pipe)
122580	6	0.5	Dual w/M12 Top	Screw Cap
15U860	6	0.5	Dual w/M12 Top	Straight Connector (10mm pipe)

Fluid Grease Pump - 3L reservoir (no control)				
Part No.	Reservoir Size (L)	Flow (lpm)	Level Switch	Refill Style
122581	3	0.2	None	Screw Cap
563301	3	0.2	None	Straight Connector (10mm pipe)
122582	3	0.2	Single w/DIN	Screw Cap
122583	3	0.2	Single w/DIN	Straight Connector (10mm pipe)
122584	3	0.2	Single w/M12 Top	Screw Cap
122585	3	0.2	Single w/M12 Top	Straight Connector (10mm pipe)
122586	3	0.2	Dual w/ DIN	Screw Cap
122587	3	0.2	Dual w/ DIN	Straight Connector (10mm pipe)
122588	3	0.2	Dual w/M12 Top	Screw Cap
557547	3	0.2	Dual w/M12 Top	Straight Connector (10mm pipe)
Fluid Grease Pump - 6L reservoir ( no control)				
Part No.	Reservoir Size (L)	Flow (lpm)	Level Switch	Refill Style
122589	6	0.2	None	Screw Cap
122590	6	0.2	None	Straight Connector (10mm pipe)
122591	6	0.2	Single w/DIN	Screw Cap
122592	6	0.2	Single w/DIN	Straight Connector (10mm pipe)
122593	6	0.2	Single w/M12 Top	Screw Cap
122594	6	0.2	Single w/M12 Top	Straight Connector (10mm pipe)
122595	6	0.2	Dual w/DIN	Screw Cap
122596	6	0.2	Dual w/DIN	Straight Connector (10mm pipe)
122597	6	0.2	Dual w/M12 Top	Screw Cap
122598	6	0.2	Dual w/M12 Top	Straight Connector (10mm pipe)

Oil Pumps with Integrated Control					
Part No.	Reservoir Size (L)	Flow (lpm)	Voltage Control System	Monitoring System	System Refill
122897	6	0.2	230 VAC w/Time or Pulse	Man Lube, Lvl Switch, Pres Gauge, Pres Switch, Green light, red light	Screw Cap
122898	6	0.5	230 VAC w/Time or Pulse	Man Lube, Lvl Switch, Pres Gauge, Pres Switch, Green light, red light	Screw Cap
122895	3	0.2	230 VAC w/Time or Pulse	Man Lube, Lvl Switch, Pres Gauge, Pres Switch, Green light, red light	Screw Cap
Fluid Grease Pump - with Integrated Control					
Part No.	Reservoir Size (L)	Flow (lpm)	Voltage Control System	Monitoring System	System Refill
122896	3	0.2	230 VAC w/Time or Pulse	Man Lube, Lvl Switch, Pres Gauge, Pres Switch, Green light, red light	Screw Cap
122899	6	0.2	230 VAC w/Time or Pulse	Man Lube, Lvl Switch, Pres Gauge, Pres Switch, Green light, red light	Screw Cap

3400 Single Point Piston Distributors - Oil	
558306	0.01 cm <sup>3</sup> M8x1
558307	0.03 cm <sup>3</sup> M8x1
558308	0.06 cm <sup>3</sup> M8x1
558309	0.10 cm <sup>3</sup> M8x1
558310	0.16 cm <sup>3</sup> M8x1
122804	0.01 cm <sup>3</sup> M10x1
122805	0.03 cm <sup>3</sup> M10x1
122806	0.06 cm <sup>3</sup> M10x1
122807	0.10 cm <sup>3</sup> M10x1
122808	0.16 cm <sup>3</sup> M10x1
3500 Single Point Piston Distributors - Oil	
121658	0.1 cm <sup>3</sup> M10x1
121659	0.2 cm <sup>3</sup> M10x1
121660	0.4 cm <sup>3</sup> M10x1
121661	0.6 cm <sup>3</sup> M10x1
122813	0.1 cm <sup>3</sup> M12x1
122814	0.2 cm <sup>3</sup> M12x1
122815	0.4 cm <sup>3</sup> M12x1
122816	0.6 cm <sup>3</sup> M12x1
3900 Single Point Piston Distributors - Oil	
121665	0.2 cm <sup>3</sup> M14x1.5
121666	0.4 cm <sup>3</sup> M14x1.5
121667	0.6 cm <sup>3</sup> M14x1.5
121668	1.0 cm <sup>3</sup> M14x1.5
121669	1.5 cm <sup>3</sup> M14x1.5
122820	0.2 cm <sup>3</sup> M12x1
122821	0.4 cm <sup>3</sup> M12x1
122822	0.6 cm <sup>3</sup> M12x1
122823	1.0 cm <sup>3</sup> M12x1
122824	1.5 cm <sup>3</sup> M12x1
3410 Single Point Piston Distributors - Grease	
121654	0.01 cm <sup>3</sup> M8x1
121655	0.03 cm <sup>3</sup> M8x1
121656	0.06 cm <sup>3</sup> M8x1
121657	0.10 cm <sup>3</sup> M8x1
122809	0.01 cm <sup>3</sup> M10x1
122810	0.03 cm <sup>3</sup> M10x1
122811	0.06 cm <sup>3</sup> M10x1
122812	0.10 cm <sup>3</sup> M10x1
3510 Single Point Piston Distributors - Grease	
121662	0.1 cm <sup>3</sup> M10x1
121663	0.2 cm <sup>3</sup> M10x1
121664	0.3 cm <sup>3</sup> M10x1

3510 Single Point Piston Distributors - Grease (continued)	
122817	0.1 cm <sup>3</sup> M12x1
122818	0.2 cm <sup>3</sup> M12x1
122819	0.3 cm <sup>3</sup> M12x1
3910 Single Point Piston Distributors - Grease	
121670	0.1 cm <sup>3</sup> M14x1.5
121671	0.2 cm <sup>3</sup> M14x1.5
121672	0.3 cm <sup>3</sup> M14x1.5
122825	0.1 cm <sup>3</sup> M12x1
122826	0.2 cm <sup>3</sup> M12x1
122827	0.3 cm <sup>3</sup> M12x1
3400/3410 Series Bar Manifolds	
15X624	Tee M8/M8 - 1 Port
15X667	M10/M8 - 2 Port
15X668	M10/M8 - 3 Port
15X669	M10/M8 - 4 Port
15X670	M10/M8 - 5 Port
15X671	M10/M8 - 6 Port
15X672	M10/M8 - 7 Port
15X673	M10/M8 - 8 Port
15X674	M10/M8 - 10 Port
15X683	M14/M8 - 2 Port
15X684	M14/M8 - 3 Port
15X685	M14/M8 - 4 Port
15X686	M14/M8 - 5 Port
15X687	M14/M8 - 6 Port
15X688	M14/M8 - 7 Port
15X689	M14/M8 - 8 Port
15X690	M14/M8 - 10 Port
3500/3510 Series Bar Manifolds	
15X625	Tee M10/M10 - 1 Port
15X675	M10/M10 - 2 Port
15X676	M10/M10 - 3 Port
15X677	M10/M10 - 4 Port
15X678	M10/M10 - 5 Port
15X679	M10/M10 - 6 Port
15X680	M10/M10 - 7 Port
15X681	M10/M10 - 8 Port
15X682	M10/M10 - 10 Port
15X691	M14/M10 - 2 Port
15X692	M14/M10 - 3 Port
15X693	M14/M10 - 4 Port
15X694	M14/M10 - 5 Port
15X695	M14/M10 - 6 Port

3500/3510 Series Bar Manifolds (continued)	
15X696	M14/M10 - 7 Port
15X697	M14/M10 - 8 Port
15X698	M14/M10 - 10 Port
3900/3910 Series Bar Manifolds	
15X626	Tee M14/M14 - 1 Port
15X699	M14/M14 - 2 Port
15X700	M14/M14 - 3 Port
15X701	M14/M14 - 4 Port
15X702	M14/M14 - 5 Port
15X703	M14/M14 - 6 Port
15X704	M14/M14 - 7 Port
15X705	M14/M14 - 8 Port
15X706	M14/M14 - 10 Port
3400 Dispensing Meters	
122989	0.01 cm <sup>3</sup>
558311	0.03 cm <sup>3</sup>
558312	0.06 cm <sup>3</sup>
558313	0.10 cm <sup>3</sup>
558314	0.16 cm <sup>3</sup>
3410 Dispensing Meters	
122990	0.01 cm <sup>3</sup>
558324	0.03 cm <sup>3</sup>
558325	0.06 cm <sup>3</sup>
558326	0.10 cm <sup>3</sup>
3500 Dispensing Meters	
558315	0.1 cm <sup>3</sup>
558316	0.2 cm <sup>3</sup>
558317	0.4 cm <sup>3</sup>
558318	0.6 cm <sup>3</sup>
3510 Dispensing Meters	
558327	0.1 cm <sup>3</sup>
558328	0.2 cm <sup>3</sup>
558329	0.3 cm <sup>3</sup>
3910 Dispensing Meters	
558330	0.1 cm <sup>3</sup>
558331	0.2 cm <sup>3</sup>
558332	0.3 cm <sup>3</sup>

3400/3410 Cast Manifolds	
122841	2 Outlets, Oil PD, Red Plastic Cover
122861	3 Outlets, Oil PD, Red Plastic Cover
122862	5 Outlets, Oil PD, Red Plastic Cover
122863	2 Outlets, Grease PD, White Plastic Cover
122864	3 Outlets, Grease PD, White Plastic Cover
122865	5 Outlets, Grease PD, White Plastic Cover
3500/3510 Cast Manifolds	
122866	2 Outlets, Oil PD, Red Plastic Cover
122868	3 Outlets, Oil PD, Red Plastic Cover
122869	5 Outlets, Oil PD, Red Plastic Cover
122885	2 Outlets, Grease PD, White Plastic Cover
122886	3 Outlets, Grease PD, White Plastic Cover
122887	5 Outlets, Grease PD, White Plastic Cover
3900/3910 Cast Manifolds	
122888	2 Outlets, Oil PD, Red Plastic Cover
122889	3 Outlets, Oil PD, Red Plastic Cover
122890	2 Outlets, Grease PD, White Plastic Cover
122891	3 Outlets, Grease PD, White Plastic Cover
Direct-to-Bearing Piston Distributors	
122789	To Fit Distributor M14/D4/0.03 cm <sup>3</sup>
122790	To Fit Distributor M14/D4/0.06 cm <sup>3</sup>
122791	To Fit Distributor M14/D4/0.1 cm <sup>3</sup>
122792	To Fit Distributor M14/D6/0.03 cm <sup>3</sup>
122793	To Fit Distributor M14/D6/0.06 cm <sup>3</sup>
122794	To Fit Distributor M14/D6/0.1 cm <sup>3</sup>
122795	Direct-to-Lube PD D10.35/0.03 cm <sup>3</sup>
122796	Direct-to-Lube PD D10.35/0.06 cm <sup>3</sup>
122797	Direct-to-Lube PD D10.35/0.1 cm <sup>3</sup>
122798	Direct-to-Lube PD D13.5/0.1 cm <sup>3</sup>
122799	Direct-to-Lube PD D13.5/0.2 cm <sup>3</sup>
122800	Direct-to-Lube PD D13.5/0.3 cm <sup>3</sup>
122801	Direct-to-Lube PD D13.5/0.4 cm <sup>3</sup>

Look to Graco Inc. for all your Centralized Lubrication System needs.

<b>Bulletins</b>	
<b>Description</b>	<b>Bulletin</b>
<b>Injecto-Flo Oil Pumps</b>	
AO-1 Air Operated Pumps	L12601
E0-1 Electric Pumps	L12605
E0-3 Electric Pumps	L12606

Consult Graco Factory for availability of Electrical Pumps for automotive specifications.

<b>Bulletins</b>	
<b>Description</b>	<b>Bulletin</b>
<b>LubriSystem</b>	
LubriSystem Pumps	L12100

Note: LubriSystem pumps can also be used with oil or fluid grease.

<b>Bulletins</b>	
<b>Description</b>	<b>Bulletin</b>
<b>Electronic Pumps</b>	
Solid State Timer	L14521
GLC 4400	340391
WMP II Maxi-Monitor	L14750

**Contact us today!**

To receive product information or talk with a Graco representative,  
call 800-533-9655 or visit us online at [www.graco.com](http://www.graco.com).

