

Instructions – Parts List



50:1 FIRE-BALL[®], 120-LB DRUM SIZE

Topper Units

306523K

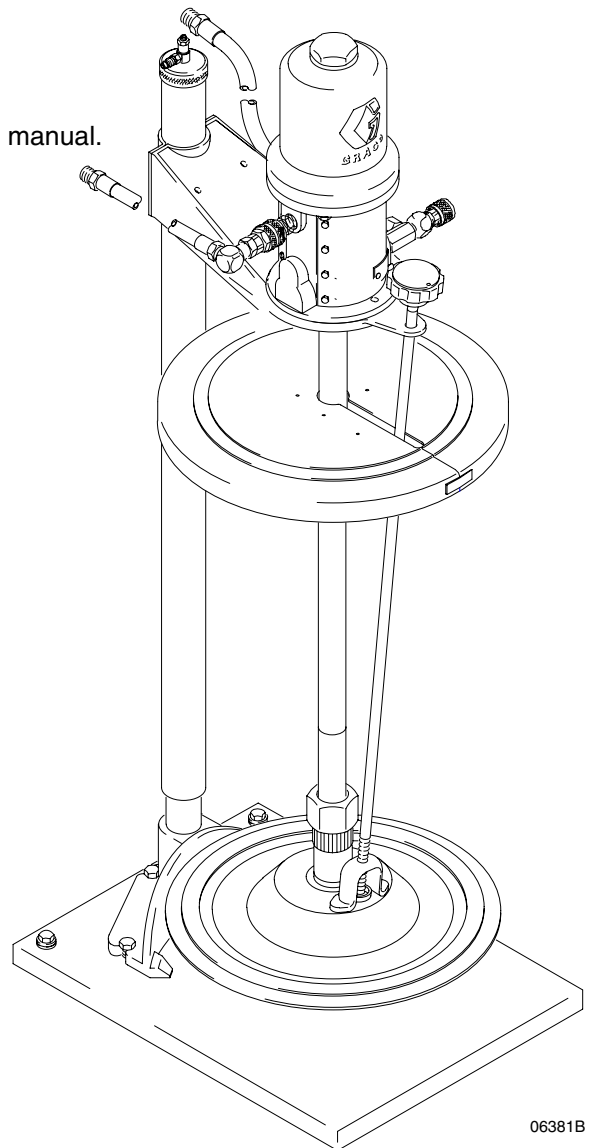
Grease dispense unit with pneumatic pump elevator for easy drum replacement.

Model No. 222073



Important Safety instructions

Read all warnings and instructions in this manual.
Save these instructions.



06381B

PROVEN QUALITY. LEADING TECHNOLOGY.

Table of Contents

Warnings	2	Sound Data	7
Installation	3	Manual Change Summary	8
Operation	4	Graco Standard Warranty	8
Parts Drawing	6	Graco Phone Number	8
Parts List	7		

Symbols

Warning Symbol





This symbol alerts you to the possibility of serious injury or death if you do not follow the instructions.

Caution Symbol



This symbol alerts you to the possibility of damage to or destruction of equipment if you do not follow the instructions.

 **WARNING**

 INSTRUCTIONS	<p>EQUIPMENT MISUSE HAZARD</p> <p>Equipment misuse can cause the equipment to rupture or malfunction and result in serious injury.</p> <ul style="list-style-type: none">● This equipment is for professional use only.● Read all instruction manuals, tags, and labels before operating the equipment.● Use the equipment only for its intended purpose. If you are not sure, call your Graco distributor.● Do not alter or modify this equipment.● Check equipment daily. Repair or replace worn or damaged parts immediately.● Handle hoses carefully. Do not pull on hoses to move equipment.● Route hoses away from traffic areas, sharp edges, moving parts, and hot surfaces. Do not expose Graco hoses to temperatures above 66°C (150°F) or below -40°C (-40°F).● Do not move or lift pressurized equipment.● Comply with all applicable local, state, and national fire, electrical, and safety regulations.
--	---

Installation

Note: Choose a location with sufficient overhead clearance, and adequate clearance for plumbing when unit is being raised or lowered.

Note: Numbers and letters in parenthesis refer to callouts in the Figures and Parts Drawing.

Assemble the Elevator to the Base (See Fig. 1)

Note: All necessary nuts, screws, and washers are provided with Base Assy. 204740.

1. Set three flat washers (B) in place over the mounting holes in the base.
2. Position the elevator on the washers (B).
3. Place three flat washers (B) over the holes in the elevator base casting.
4. Fasten securely with three screws (A), lockwashers (C) and nuts (D).

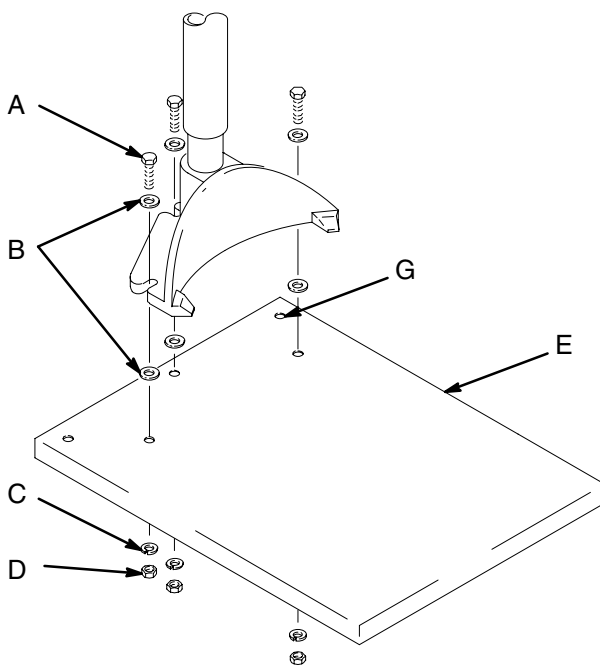


Fig. 1

06384

Assemble the Pump to the Elevator (See Fig. 2)

1. Remove the elevator clamp (34) from the elevator bracket (33).
2. Center the pump and inductor plate (8) on the base (H), straddling the elevator tube (F).
3. Tighten the screws (19) securing the clamp (34) to the bracket (33). See the Parts Drawing on page 6.
4. Place the unit in the desired location, and use metal shims to level the base, if necessary.
5. Anchor the unit to the floor using the mounting holes (G) in the base. See Fig 1.

Connect the Hoses

1. Connect the 1/4 npt(m) end of the fluid hose (27) between the outlet of the pump and the permanent supply line.
2. Connect the 3/8 npt(m) end of the air hose (5) to the permanent supply.

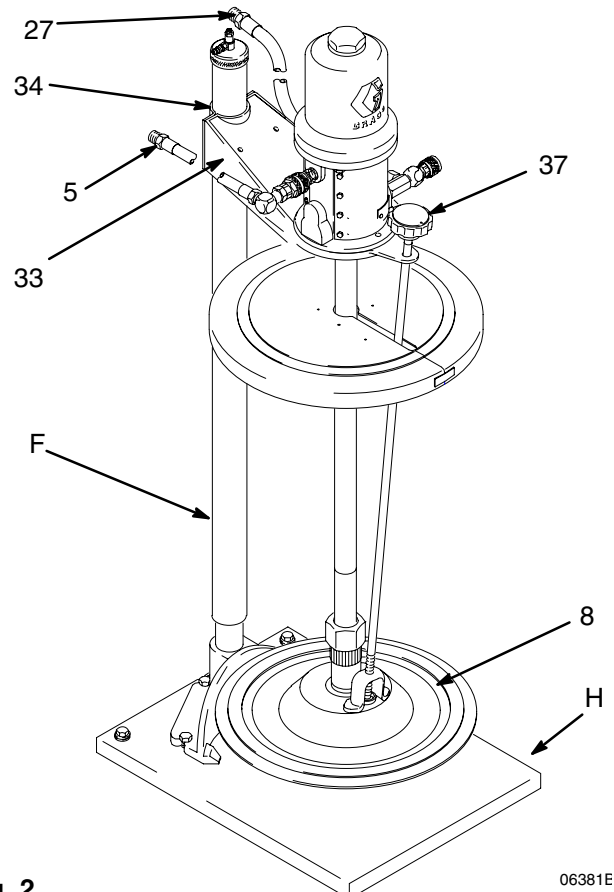


Fig. 2

06381E

Operation

WARNING

To reduce the risk of serious injury, always disconnect air and relieve pressure in lines before attempting any service.

1. Open the vent inductor plate (8) by turning the knob (37) counterclockwise. See Fig. 2.

Note: For steps 2–8, see the parts drawing on page 6.

2. With the air supply turned on, connect the airline coupler (4) to the fitting on top of the elevator tube. Elevator speed may be regulated by turning the adjusting screw clockwise to decrease, and counterclockwise to increase elevator speed.
3. Center an opened drum of material under the inductor plate (8) so that the drum bottom touches the elevator base casting. The top surface of the material should be made concave by scooping material from the center to the sides of the container.
4. Disconnect the air line coupler (4) and guide the inductor plate (8) into the drum. Press down on the pump and rock or jiggle it back and forth to seat the inductor plate and get rid of any trapped air, and continue action until material appears at the vent opening. Slide the plastic cover (9) down onto the drum.
5. Close the inductor plate vent, and open the bleeder valve (25*) by turning the thumbscrew counterclockwise.
6. Start the pump by connecting the air line coupler (4) to the pump inlet fitting.
7. Let the pump run until material appears at the bleeder valve.
8. Disconnect the air line coupler (4) and close the bleeder valve. The unit is now ready for operation.

Note: When supplied with sufficient air pressure, the pump is remotely controlled at the dispensing valve. The pump starts and stops as the dispensing valve is opened or closed.

Note: For overnight or holiday shutdown, disconnect the air line coupler (4) and relieve the pressure in the lines.

Changing the Drums

1. Disconnect the air line coupler (4) from the pump.
2. Open the inductor plate vent, and connect the coupler to the elevator to raise the unit.

Note: If the empty drum rises with the unit, pull the front of the drum down and forward to break it loose from the inductor plate.

3. Remove the empty drum from the base, and install a full drum as explained at left.

Removing the Pump for Service

Unscrew the locking nut (40) (taking note of the number of turns). Disconnect hoses and pump from the mounting and remove.

When attaching the pump, turn the locking nut (40) the same number of turns as when disassembling, or a slight distance further. Check for 1/8" (3 mm) clearance. See Fig. 3.

Note: For pump and elevator operation, troubleshooting, and service instructions, see the separate manuals.

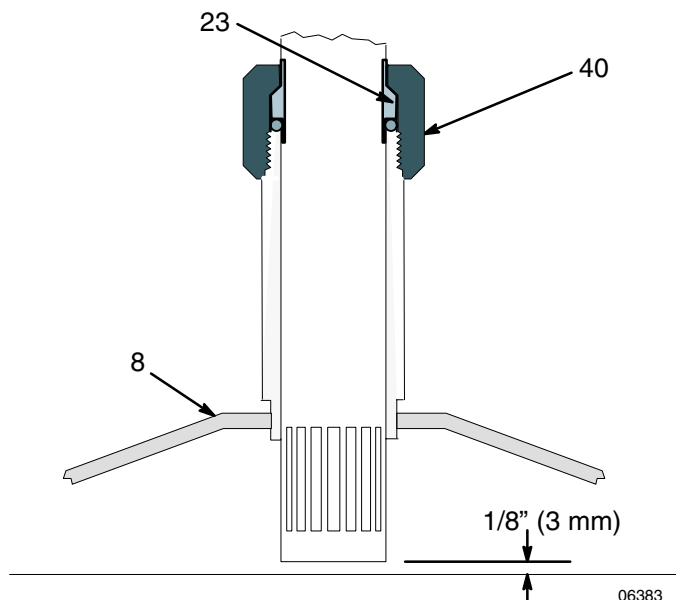
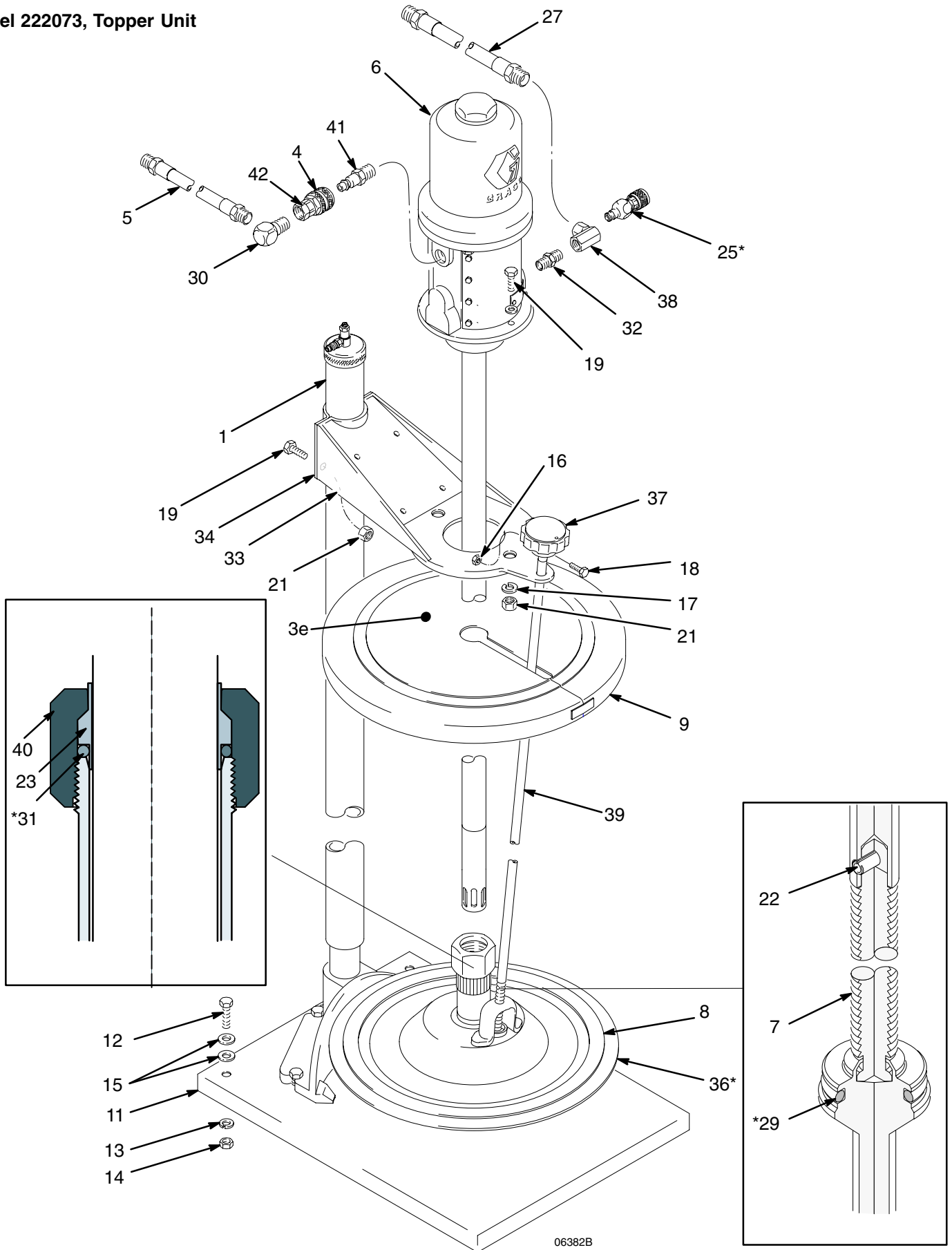


Fig. 3

06383

Parts

Model 222073, Topper Unit



Parts List

Model 222073, Topper Unit

Ref. No.	Part No.	Description	Qty.	Ref. No.	Part No.	Description	Qty.
1	204121	ELEVATOR, 120 lb see manual 306522 for parts	1	18	100021	SCREW, hex hd cap; 1/4-20 x 1"	1
2	222074	SUPPORT, pump includes items 4,5,7-42	1	19	100022	SCREW, hex hd cap; 1/4-20 x 3/4"	6
4	114558	COUPLER, female, air line, quick disconnect	1	21	100677	NUT, sq hd mach; 1/4-20	6
5	203320	. HOSE, air; cpld 3/8 npt (mbe) 3/8" ID; 6' (1.8 m) long	1	22	101537	PIN, roll; 1/8" dia; 1/2" long	1
6	239887	50:1 FIREBALL PUMP see manual 308883 for parts	1	23	101644	SLEEVE, coupling	1
7	204194	VENT JACK SCREW and LEG	1	24	102472	RIVET, blind: 1/8" dia	4
8	204195	PLATE, inductor	1	25*	205528	VALVE, bleeder	1
9	204739	COVER, drum; plastic	1	27*	109150	HOSE, fluid; cpld 1/4 npt(mbe) 1/4" ID; 6' (1.9 m) long	1
10	204740	BASE, mounting includes items 11-15	1	29*	155463	O-RING, nitrile rubber	1
11		. BASE, bare	1	30	155494	UNION 90°, swivel; 3/8 npt(m) x 3/8 npt (f)	1
12	100004	. SCREW, hex hd cap; 3/8-16 x 1-1/4	3	31*	158776	O-RING, nitrile rubber	1
13	100133	. LOCKWASHER, spring; 3/8"	3	32	156971	ADAPTER; 1/4 npt(m)	1
14	100307	. NUT, hex; 3/8-16	3	33	160853	BRACKET, elevator	1
15	100731	. WASHER, steel; 3/8"	6	34	160854	CLAMP, elevator bracket	1
16	100015	NUT, hex; 1/4-20	1	35	160858	PLATE, instruction	1
17	100016	LOCKWASHER, spring; 1/4"	2	36*	160861	WIPER, drum	1
				37	160865	HANDLE, vent	1
				38	160878	UNION 90°, swivel; 1/4 npt(f); 1/8 npt hole tapped in body	1
				39	161028	ROD, vent jack screw	1
				40	161107	NUT, sleeve locking	1
				41	169971	FITTING, air line; 3/8 npt(m)	1
				42	150287	COUPLING, 1/4 npt(m) x (3/8 npt(f)	1

* Recommended "tool box" spare parts. Keep these spare parts on hand to reduce down time

Sound Data

See the pump instruction manual for technical data including wetted parts, port sizes, maximum air consumption, maximum delivery, and so on. Sound data for the air motors of the pumps on these units is follows:

Tested at 100 psi (0.7 MPa, 7 bar) at 40 cycles per minute	
Sound Pressure Level, measured at 1 meter from unit	77.9 dB(A)
Sound Power Level, tested in accordance with ISO 9614-2	85.6 dB(A)

Graco Standard Warranty

Graco warrants all equipment manufactured by Graco and bearing its name to be free from defects in material and workmanship on the date of sale to the original purchaser for use. With the exception of any special, extended, or limited warranty published by Graco, Graco will, for a period of twelve months from the date of sale, repair or replace any part of the equipment determined by Graco to be defective. This warranty applies only when the equipment is installed, operated and maintained in accordance with Graco's written recommendations.

This warranty does not cover, and Graco shall not be liable for general wear and tear, or any malfunction, damage or wear caused by faulty installation, misapplication, abrasion, corrosion, inadequate or improper maintenance, negligence, accident, tampering, or substitution of non-Graco component parts. Nor shall Graco be liable for malfunction, damage or wear caused by the incompatibility of Graco equipment with structures, accessories, equipment or materials not supplied by Graco, or the improper design, manufacture, installation, operation or maintenance of structures, accessories, equipment or materials not supplied by Graco.

This warranty is conditioned upon the prepaid return of the equipment claimed to be defective to an authorized Graco distributor for verification of the claimed defect. If the claimed defect is verified, Graco will repair or replace free of charge any defective parts. The equipment will be returned to the original purchaser transportation prepaid. If inspection of the equipment does not disclose any defect in material or workmanship, repairs will be made at a reasonable charge, which charges may include the costs of parts, labor, and transportation.

THIS WARRANTY IS EXCLUSIVE, AND IS IN LIEU OF ANY OTHER WARRANTIES, EXPRESS OR IMPLIED, INCLUDING BUT NOT LIMITED TO WARRANTY OF MERCHANTABILITY OR WARRANTY OF FITNESS FOR A PARTICULAR PURPOSE.

Graco's sole obligation and buyer's sole remedy for any breach of warranty shall be as set forth above. The buyer agrees that no other remedy (including, but not limited to, incidental or consequential damages for lost profits, lost sales, injury to person or property, or any other incidental or consequential loss) shall be available. Any action for breach of warranty must be brought within two (2) years of the date of sale.

Graco makes no warranty, and disclaims all implied warranties of merchantability and fitness for a particular purpose in connection with accessories, equipment, materials or components sold but not manufactured by Graco. These items sold, but not manufactured by Graco (such as electric motors, switches, hose, etc.), are subject to the warranty, if any, of their manufacturer. Graco will provide purchaser with reasonable assistance in making any claim for breach of these warranties.

In no event will Graco be liable for indirect, incidental, special or consequential damages resulting from Graco supplying equipment hereunder, or the furnishing, performance, or use of any products or other goods sold hereto, whether due to a breach of contract, breach of warranty, the negligence of Graco, or otherwise.

FOR GRACO CANADA CUSTOMERS

The parties acknowledge that they have required that the present document, as well as all documents, notices and legal proceedings entered into, given or instituted pursuant hereto or relating directly or indirectly hereto, be drawn up in English. Les parties reconnaissent avoir convenu que la rédaction du présente document sera en Anglais, ainsi que tous documents, avis et procédures judiciaires exécutés, donnés ou intentés à la suite de ou en rapport, directement ou indirectement, avec les procédures concernées.

Graco Phone Numbers

TO PLACE AN ORDER, contact your Graco distributor, or call one of the following numbers to identify the distributor closest to you:

1-800-533-9655 Toll Free

612-623-6928

612-378-3590 Fax

All written and visual data contained in this document reflects the latest product information available at the time of publication. Graco reserves the right to make changes at any time without notice.

This manual contains English. MM 306523

Graco Headquarters: Minneapolis
International Offices: Belgium, Korea, China, Japan
GRACO INC. P.O. BOX 1441 MINNEAPOLIS, MN 55440-1441
306523K
10/1995 Rev. 11/2006