



KEEP FOR REFERENCE

Rev. J

*First choice when
quality counts.™*

FOR HIGH VOLUME HIGH-FLO® PUMPS

Pump Repair and Conversion Kits

NOTE: REFER TO THE HIGH-FLO PUMP INSTRUCTION MANUAL 307678 FOR IMPORTANT SAFETY WARNINGS AND SERVICE INSTRUCTIONS.

Seal Repair Kits

Select the specific kit for your displacement pump. Parts included in these kits are marked with an asterisk (*) in Fig. 1.

Pump Seal Repair Kit 243728

For Displacement Pumps 218523 and 218524
(2:1 Bulldog®, 4:1 King™, Viscount® 400 Pumps)

Ref. No.	Part No.	Description	Qty.
13*	180760	SEAL; UHMWPE	4
20*	107545	O-RING; PTFE	4
29*	180758	SEAL; UHMWPE	2
43*	180761	SEAL; UHMWPE	4
45*	183743	SEAL; UHMWPE	1

Optional Pump Seal Repair Kit 235855

For Displacement Pumps 218523 and 218524
(2:1 Bulldog®, 4:1 King™, Viscount® 400 Pumps)

Ref. No.	Part No.	Description	Qty.
13*	180760	SEAL; UHMWPE	4
20*	107545	O-RING; PTFE	4
29*	180758	SEAL; UHMWPE	2
43*	180761	SEAL; UHMWPE	4
45*	112037	SEAL; unfilled PTFE	1

Pump Seal Repair Kit 243727

For Displacement Pumps 218515 and 218516
(3:1 Bulldog®, 6:1 King™, Viscount® 600 Pumps)

Ref. No.	Part No.	Description	Qty.
13*	180760	SEAL; UHMWPE	4
20*	107545	O-RING; PTFE	4
29*	180759	SEAL; UHMWPE	2
43*	180761	SEAL; UHMWPE	4
45*	183744	SEAL; UHMWPE	1

Optional Pump Seal Repair Kit 235856

For Displacement Pumps 218515 and 218516
(3:1 Bulldog®, 6:1 King™, Viscount® 600 Pumps)

Ref. No.	Part No.	Description	Qty.
13*	180760	SEAL; UHMWPE	4
20*	107545	O-RING; PTFE	4
29*	180759	SEAL; UHMWPE	2
43*	180761	SEAL; UHMWPE	4
45*	112038	SEAL; unfilled PTFE	1

Pump Seal Repair Kit 243729

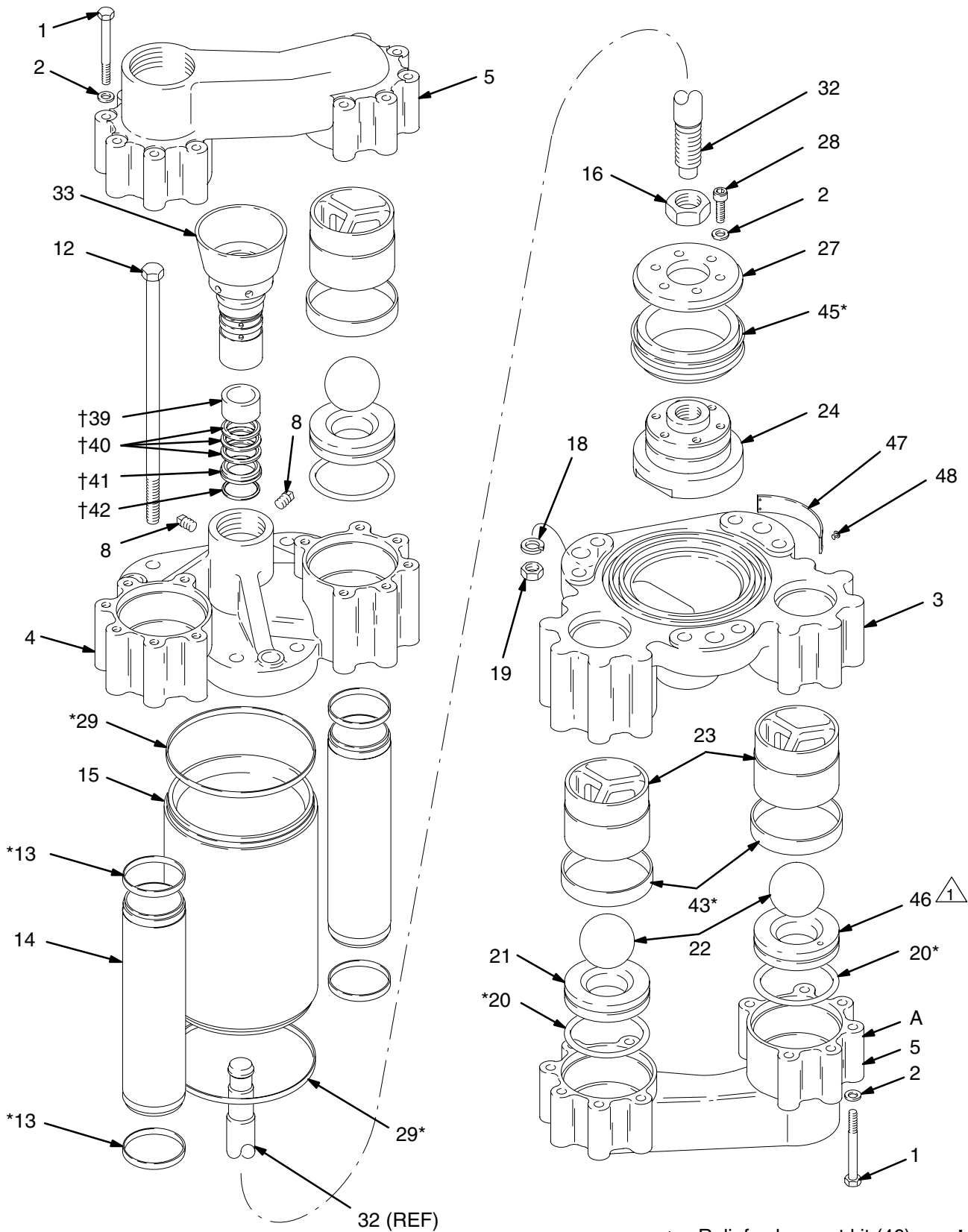
For Displacement Pumps 218530 and 218531
(1.5:1 Bulldog®, 3:1 King™, Viscount® 300 Pumps)

Ref. No.	Part No.	Description	Qty.
13*	180760	SEAL; UHMWPE	4
20*	107545	O-RING; PTFE	4
29*	180757	SEAL; UHMWPE	2
43*	180761	SEAL; UHMWPE	4
45*	183742	SEAL; UHMWPE	1

Optional Pump Seal Repair Kit 235854

For Displacement Pumps 218530 and 218531
(1.5:1 Bulldog®, 3:1 King™, Viscount® 300 Pumps)

Ref. No.	Part No.	Description	Qty.
13*	180760	SEAL; UHMWPE	4
20*	107545	O-RING; PTFE	4
29*	180757	SEAL; UHMWPE	2
43*	180761	SEAL; UHMWPE	4
45*	112036	SEAL; unfilled PTFE	1




01423

NOTE: Reference numbers correspond to the numbers in the pump instruction manual 307678.

* These parts are included in the Seal Repair Kits. See page 1.

† These parts are included in the Throat Packing Repair Kits. See page 3.

 Relief valve seat kit (46) **must** be installed at pump fluid inlet (A).

Throat Packing Repair Kits

For Displacement Pumps 218515, 218516, 218523, 218524, 218530, 218531, 240589, 240590, 240592, 240593, 240595, and 240596. Select according to packing material. Parts included in these kits are marked with a symbol (†) in Fig. 1.

UHMWPE Throat Packing Kit 218774

Ref. No.	Part No.	Description	Qty.
39†	180640	GLAND, packing, female	1
40†	180641	V-PACKING; UHMWPE	3
41†	180639	GLAND, packing, male	1
42†	181228	GLAND, seal; UHMWPE	1

Leather Throat Packing Kit 218734

Ref. No.	Part No.	Description	Qty.
39†	180640	GLAND, packing, female	1
40†	15J057	V-PACKING; leather	3
41†	180639	GLAND, packing, male	1
42†	181228	GLAND, seal; UHMWPE	1

PTFE Throat Packing Kit 218733

Ref. No.	Part No.	Description	Qty.
39†	180640	GLAND, packing, female	1
40†	180642	V-PACKING; PTFE	3
41†	180639	GLAND, packing, male	1
42†	181228	GLAND, seal; UHMWPE	1

Throat Packing Conversion Kits

For Displacement Pumps 218515, 218516, 218523, 218524, 218530, 218531, 240589, 240590, 240592, 240593, 240595, and 240596.

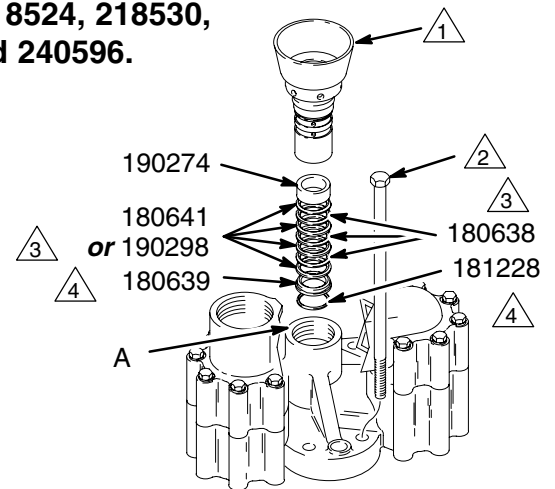
Include 7 v-packings. Select according to desired packing material. Refer to Fig. 2.

UHMWPE/Leather Throat Packing Kit 237566

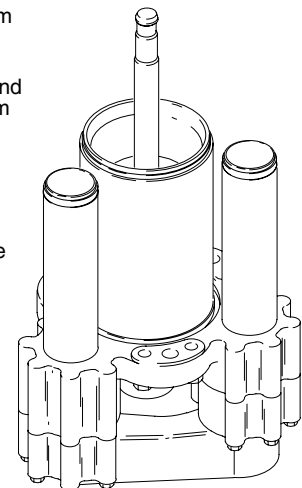
Part No.	Description	Qty.
190274	GLAND, packing, female	1
15J057	V-PACKING; leather	3
180641	V-PACKING; UHMWPE	4
180639	GLAND, packing, male	1
181228	GLAND, seal; UHMWPE	1

PTFE/Leather Throat Packing Kit 237605

Part No.	Description	Qty.
190274	GLAND, packing, female	1
15Jo57	V-PACKING; leather	3
190298	V-PACKING; PTFE	4
180639	GLAND, packing, male	1
181228	GLAND, seal; UHMWPE	1



- 1 Torque to 27–34 N.m (20–25 ft-lb).
- 2 Torque oppositely and evenly to 81–88 N.m (60–65 ft-lb).
- 3 Lips of v-packings must face down.
- 4 Install in outlet valve housing (A).



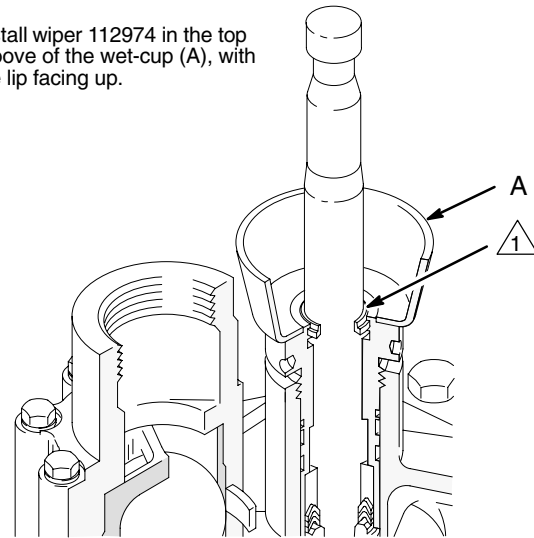
04984

Fig. 2

Wiper Accessory Kit 237766

Wiper Accessory Kit 237766 helps keep the piston shaft clean and reduces solvent leakage from the wet-cup. Install the wiper accessory into the groove of the wet-cup/packing nut 237650, as shown in Fig. 3. The kit includes instructions.

1 Install wiper 112974 in the top groove of the wet-cup (A), with the lip facing up.



04987

Fig. 3

Graco Information

TO PLACE AN ORDER, contact your Graco distributor, or call one of the following numbers to identify the distributor closest to you:

1-800-328-0211 Toll Free

612-623-6921

612-378-3505 Fax

*All written and visual data contained in this document reflects the latest product information available at the time of publication.
Graco reserves the right to make changes at any time without notice.*

Graco Headquarters: Minneapolis
International Offices: Belgium, Korea, China, Japan

This manual contains English. MM 307677

GRACO INC. P.O. BOX 1441 MINNEAPOLIS, MN 55440-1441

www.graco.com

307677 December 1984, Revised November 2006