

Instructions – Parts Lists



GM 1030™ TexSpray Gun

308274M

– For portable spray application of architectural paints and coatings –

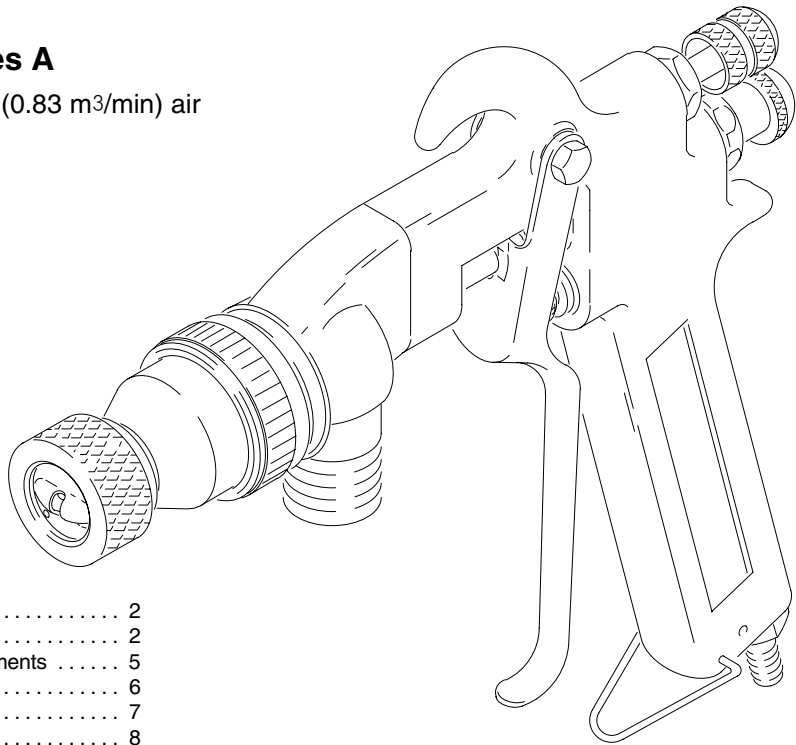
1000 psi (7.0 MPa, 70 bar) Maximum Working Pressure (Absolute)

150 psi (1.0 MPa, 10 bar) Maximum Fluid Working Pressure (Recommended)

125 psi (0.9 MPa, 9 bar) Maximum Air Working Pressure

Model 235490, Series A

Requires up to 30 SCFM (0.83 m³/min) air



01808

CONTENTS

Specifications	2
Warnings	2
Grounding and Electric Requirements	5
Thermal Overload	6
Pressure Relief Procedure	7
Installation	8
Operation	9
Nozzle & Disc Selection	9
Helpful Hints	10
Flushing Guidelines	10
Service	11
Parts	12
Technical Data	13
Dimensions	13
Graco Warranty	14



Read warnings and instructions.



..... **309663**



..... **309662**

GRACO INC. P.O. BOX 1441 MINNEAPOLIS, MN 55440-1441

Copyright 1993, Graco Inc. is registered to I.S. EN ISO 9001

PROVEN QUALITY. LEADING TECHNOLOGY.



Specifications

This equipment is not intended for use with flammable or combustible materials used in places such as cabinet shops or other “factory” or fixed locations. If you intend to use this equipment in this type of application, you must comply with NFPA 33 and OSHA requirements for the use of flammable and combustible materials.

Warnings

Warning Symbol



This symbol alerts you to the possibility of serious injury or death if you do not follow the instructions.




Caution Symbol



This symbol alerts you to the possibility of damage to or destruction of equipment if you do not follow the instructions.

The following are general Warnings related to the safe setup, use, maintenance and repair of this equipment. Additional, more specific warnings may be found throughout the text of this manual where applicable.

! WARNING

	<p>FIRE AND EXPLOSION HAZARD</p> <p>Flammable fumes, such as solvent and paint fumes, in work area can ignite or explode. To help prevent fire and explosion:</p> <ul style="list-style-type: none"> ● Use equipment only in well ventilated area. ● Eliminate all ignition sources; such as pilot lights, cigarettes, portable electric lamps, and plastic drop clothes (potential static arc). ● Sprayer generates sparks. When flammable liquid is used in or near sprayer or for flushing or cleaning, keep sprayer at least 20 ft (6 m) away from explosive vapors. ● Do not clean with materials having flash points lower than 70°F (21°C). Use water-based materials or mineral spirits type material only. For complete information about your fluid, request the MSDS from the fluid distributor or retailer. ● Keep work area free of debris, including solvent, rags and gasoline. ● Do not plug or unplug power cords or turn lights on or off when flammable fumes are present. ● Ground equipment and conductive objects in work area. Read Grounding instructions. ● If there is static sparking or you feel a shock, stop operating immediately. Do not use equipment until you identify and correct the problem.
	<p>SKIN INJECTION HAZARD</p> <p>High pressure fluid from gun, hose leaks, or ruptured components will pierce skin. This may look like just a cut, but it is a serious injury that can result in amputation. Get immediate surgical treatment.</p> <ul style="list-style-type: none"> ● Do not point gun at anyone or any part of the body. ● Do not put your hand over the spray tip. ● Do not stop or deflect leaks with your hand, body, glove, or rag. ● Engage trigger lock when not spraying. ● Follow Pressure Relief Procedure in this manual, when you stop spraying and before cleaning, checking or servicing equipment.
	<p>PRESSURIZED ALUMINUM PARTS HAZARD</p> <p>Do not use 1,1,1-trichloroethane, methylene chloride, other halogenated hydrocarbon solvents or fluids containing such solvents in this equipment. Such use could result in a serious chemical reaction, with the possibility of explosion, which could cause death, serious injury and/or substantial property damage.</p>

WARNING



INSTRUCTIONS

EQUIPMENT MISUSE HAZARD

Misuse can cause death or serious injury.

- Read all instruction manuals, tags, and labels before operating the equipment.
- Use equipment only for its intended purpose. Call your Graco distributor for information.
- Do not exceed the maximum working pressure or temperature rating of the lowest rated system component. This gun has a **150 psi (10 bar) maximum fluid working pressure at a 125 psi (9 bar) maximum incoming air pressure**. Read **Technical Data** in all equipment manuals.
- Do not alter or modify equipment.
- Check equipment daily. Repair or replace worn or damaged parts immediately.
- Do not lift pressurized equipment.
- Route the hoses away from the traffic areas, sharp edges, moving parts, and hot surfaces. Do not expose Graco hoses to temperatures above 180°F (82°C) or below -40°F (-40°C).
- Do not use hoses to pull equipment.
- Keep children and animals away from work area.
- Comply with all applicable safety regulations.
- Do not use 1,1,1-trichloroethane, methylene chloride, other halogenated hydrocarbon solvents or fluids containing such solvents in this equipment, which contains aluminum and/or zinc parts. Such use could result in a serious chemical reaction, with the possibility of explosion, which could cause death, serious injury and/or substantial property damage.
- Wear eye and ear protection when operating this equipment. Keep body parts away from front of gun. See Sound Data in **TECHNICAL DATA**.



TOXIC FLUID HAZARD

Toxic fluid or fumes can cause serious injury or death if splashed in the eyes or on skin, inhaled, or swallowed.

- Read MSDS's to know the specific hazards of the fluids you are using.
- Store hazardous fluid in approved containers and dispose of it according to all applicable guidelines.



PERSONAL PROTECTIVE EQUIPMENT

You must wear appropriate protective equipment when operating, servicing, or when in the operating area of the equipment to help protect you from serious injury, including eye injury, inhalation of toxic fumes, burns, and hearing loss. This equipment includes, but is not limited to:

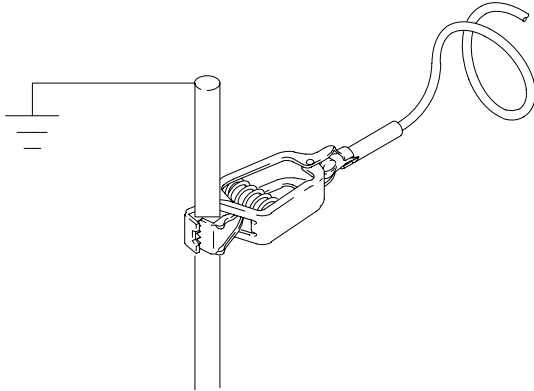
- Protective eye wear.
- Clothing and respirator as recommended by the fluid and solvent manufacturer.
- Gloves.
- Hearing protection.

Grounding Requirements


! WARNING

Your system must be grounded. Read Fire and Explosion Hazard warnings, page 3.

Ground sprayer with grounding clamp to earth ground when flushing sprayer.



Pressure Relief Procedure

! WARNING

Refer to you sprayer manual for Pressure Relief Procedure. Follow the Pressure Relief Procedure when you stop spraying and before cleaning, checking, servicing or transporting equipment.

Installation

WARNING

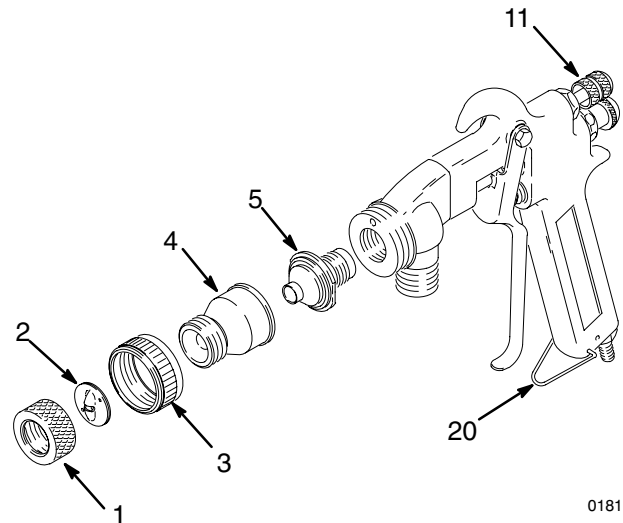


RECOIL HAZARD

Due to the high pressure fluid emitted, a strong recoil action may occur when you trigger this gun. If you are unprepared, your hand could be forced back toward your body or you could lose your balance and fall, resulting in serious injury.

Setup

1. Connect the air and material hoses to the gun and tighten securely.
2. See page 8 for disc and nozzle recommendations. Install the disc (2) and nozzle (5) on the gun as shown in Fig. 1. Tighten the retaining rings (1 and 3) snugly, but do not use a wrench.
3. Refer to the TexSpray1030FC manual 309663 for how to start and prime the sprayer.



01811

Fig. 1

Operation

WARNING

INSTRUCTIONS

EQUIPMENT MISUSE HAZARD

In the GM 1030 TexSpray, the fluid pressure is relieved automatically when the gun trigger is released. However, to further reduce the risk of injury, including injury from moving parts, always follow the **Pressure Relief Procedure** when you are not spraying and before checking or adjusting the system.

TIP: More fluid flow = more air,
and less fluid = less air.

4. If you cannot get a good spray pattern, try adjusting the air regulator pressure or try another spray disc and nozzle combination.

To Prevent Material Surge at the Beginning of a Spray Pattern

1. ***Always trigger the gun fully.***

If the gun is triggered partially, which only triggers the air portion of the system, the pump will start and pressurize the hoses. Then, when you complete the triggering action, you will get a blast of unatomized material.

2. ***When you release the gun trigger, allow the material to completely depressurize before triggering the gun again.***

Failure to do this will result in spraying some unatomized material, and may cause material to back up into the gun air passages and block air flow. Longer hoses and heavier material may take several seconds longer to depressurize.

As you test the spray pattern, also determine how long it takes to depressurize the system and keep that in mind as you are working.

Pressure Relief Procedure

1. Turn the Flow Control to OFF.
2. Turn the engine stop lever to OFF.

How to Adjust the Spray Pattern

1. Be sure the Air Control Valve (11) is turned in fully to prevent air from mixing with the fluid. Note that the air will exit the rear of the gun.
2. While triggering the gun, adjust the engine RPM to determine fluid flow and pressure. A good starting point is to adjust the fluid flow until you have an 8 in. (20 cm) stream.
3. Holding the gun 18 to 30 in (0.5 to 1.0 m) from a test surface, test the spray pattern while turning out the gun's Air Control Valve (11) which allows the air to atomize the fluid. Adjust the Air Control Valve to obtain the desired spray pattern.

Fluid Nozzle and Spray Disc Selection

Three spray discs and nozzles are supplied with the sprayer. The nozzles are numbered 1, 2 or 3 – the larger the number the more scfm is required. These parts can be interchanged to produce a pattern suitable for each job. Use the chart below to help determine the right combination for your application.

Material	Fluid Nozzle	Spray Discs (by aggregate size)			
		Fine	Medium	Coarse	Extra Coarse
Elastomerics	#3	1/8"	1/4"	1/4" or 3/8"	3/8"
Simulated Accoustical	#2	1/8"	1/4"	1/4" or 3/8"	3/8"
Splatter Coat* and Knockdown	#1	1/4" or 3/8"	n/a	n/a	n/a
Orange Peel	#2	1/8" or 1/4"	n/a	n/a	n/a

Helpful Hints

- **A spraying distance of 18 to 30 in (0.5 to 1.0 m)** is recommended for most applications.
- **Keep the gun triggered and moving** as much as possible.
- **Set the gun's trigger bail (20)** to hold the trigger open and reduce operator fatigue on large surface areas.
- **When releasing the trigger** wait until the system pressure is fully relieved before triggering the gun again to eliminate a blast of unatomized material.
- **Simulated acoustic material with polystyrene** texture compresses easily so the system pressure builds up more slowly.
- **When spraying elastomerics**, maintain a wet edge, spray vertical passes followed by horizontal passes. Then hold the gun further away and “dust” the area to blend in the pattern.
- **To spray ceilings** as high as 9 to 12 ft (3 to 4 m) without using stilts or scaffolding, use a higher engine RPM and open the gun's Air Adjustment Valve more to project the material onto the ceiling, and increase the regulator air pressure.
- **To spray a small, confined area**, you may be able to restrict the spray pattern sufficiently by restricting the gun's air. For further adjustment, reduce the engine RPM.
- **Check the material consistency periodically.** The material may thicken as it sits and slow down production. Check and thin the material as needed to maintain proper consistency.
- **If fluid from the gun is pulsing and you are spraying thin material**, install an accessory Flow Restrictor, P/N 190109, to restrict the flow of fluid to the gun. Install as shown in Fig. 2.

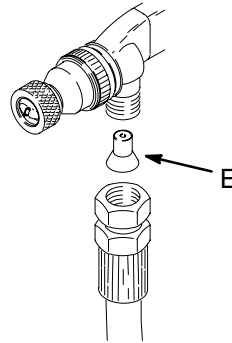


Fig. 2

04628

Flushing

1. Setup – prepare a pail of warm, soapy water or solvent. Turn the gun's Air Control Valve all the way in. Start the engine with the sprayer's Flow Control in the **OFF** mode.
2. Turn the Flow Control to **HIGH**.
3. Trigger the gun. Direct the spray material into a waste container until the flushing fluid appears. Now direct the flushing fluid into the flushing pail, secure the trigger bail to keep the gun triggered and circulate the fluid until the gun and hose are thoroughly flushed.
4. Release the trigger – pressure will be relieved automatically.
5. Turn the Flow control to **PRIME**.
6. Circulate the flushing fluid through the pump, siphon hose and drain hose until well flushed.
7. If you are going to store the sprayer, set the sprayer's Flow Control to **OFF**, turn the engine switch off, and remove the spark plug cable.

Service

⚠ WARNING

To reduce the risk of a serious injury due to the sprayer starting unexpectedly, always shut off the engine and disconnect the spark plug before performing any checks or service.

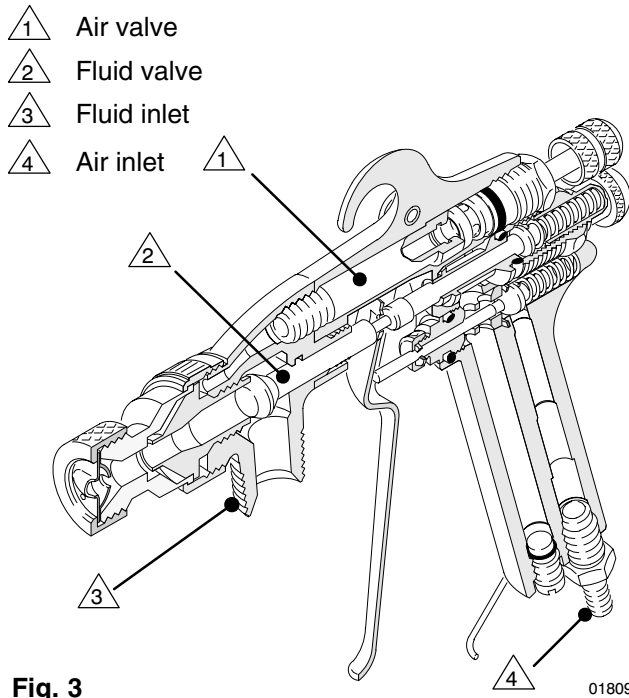


Fig. 3

01809

NOTE: Refer to the Parts Drawing on page 7 during the repair.

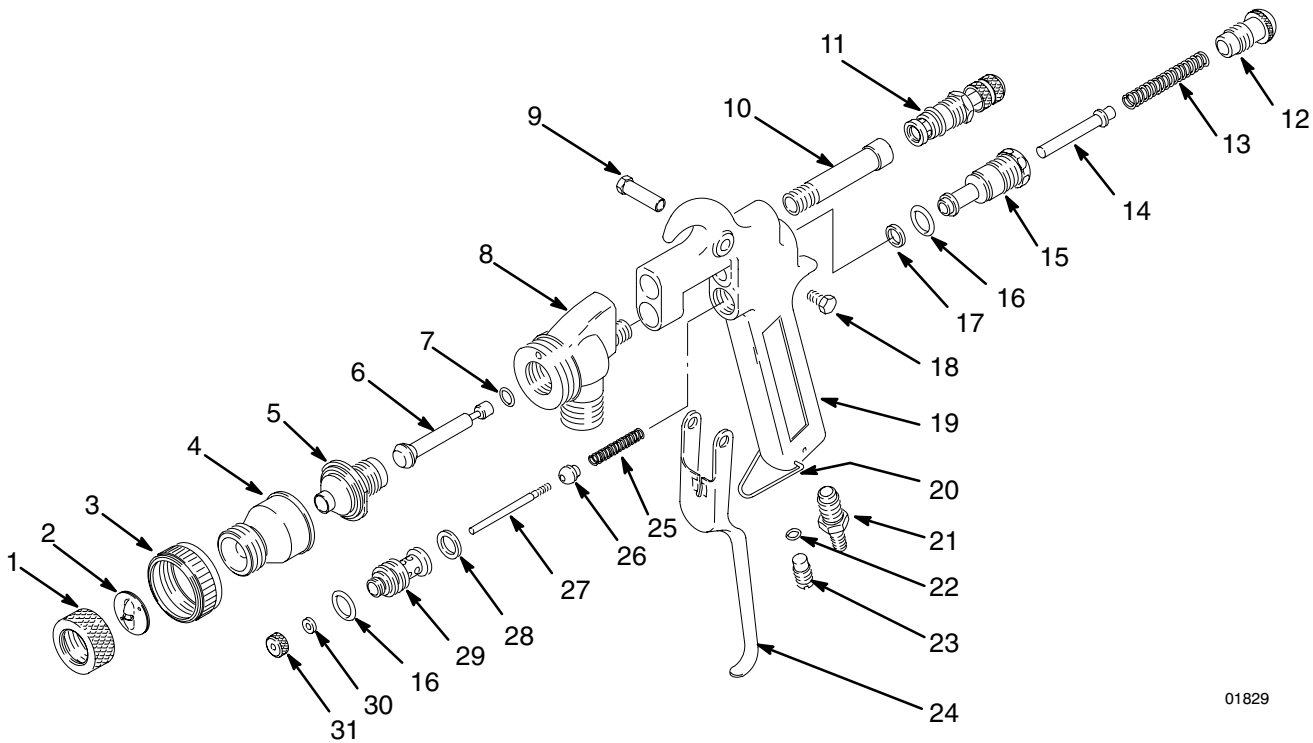
If air is leaking around the air valve

1. Follow the **Pressure Relief Procedure**.
2. Remove the trigger (24).
3. Unscrew the packing nut (31). Grasp the seat (29) and pull it out. Remove the remaining parts.
4. Check for worn or damaged parts and replace as necessary. Lubricate all packings, o-rings and moving parts and reassemble the gun. Tighten the packing nut (31) just enough to prevent leaking, but don't over compress the packings.

If air is not flowing to nozzle

1. Follow the **Pressure Relief Procedure**.
2. Remove the disk and nozzle assembly.
3. Remove the trigger (24).
4. Unscrew the air control valve (11) and clean.
5. Use a 3/8 in. hex key wrench to unscrew the head bolt (10).
6. Unscrew the spring and valve guide (15). Remove the gasket (17) and o-ring (16).
7. Unscrew the packing nut (31).
8. Grasp the valve stem (27) and pull it out the front of the gun.
9. Clean and inspect all parts. Replace worn or damaged parts.
10. Lubricate all packings, o-rings and moving parts. Reassemble the gun. Tighten the packing nut (31) just enough to prevent leaking, but don't over compress the packings.

Parts



01829

Model 235490, Series A

Includes items 1 to 31

Ref No.	Part No.	Description	Qty	Ref No.	Part No.	Description	Qty
1	188354	RETAINING NUT	1	16	156082	O-RING	2
2		SPRAY TIP DISKS		17	150925	GASKET, copper	1
	235579	1/8 in. orifice	1	18	203953	LOCKSCREW, trigger	1
	235580	1/4 in. orifice	1	19	188446	GUN BODY	1
	235581	3/8 in. orifice	1	20	160215	TRIGGER LATCH	1
.....	248311	5/16 in. orifice	1	21	160222	AIR INLET ADAPTER, 3/8 npsm	1
3	160225	LOCKRING, nozzle	1	22✓	154741	O-RING	1
4	188353	HOUSING ADAPTER	1	23	161274	PLUG	1
5		GUN NOZZLE (all sizes included)		24	160239	TRIGGER	1
	188428	Size 1	1	25	161319	SPRING, air valve	1
	188429	Size 2	1	26	177139	POPPET, valve	1
	188430	Size 3	1	27	169643	AIR VALVE STEM	1
6	188447	VALVE STEM	1	28	160910	WASHER	1
7	111967	QUAD RING PACKING	1	29	160229	AIR VALVE SEAT	1
8	188445	HEAD	1	30	160240	PACKING, air valve stem	1
9	160217	PIVOT PIN	1	31	160228	PACKING NUT, air valve stem	1
10	160233	BOLT	1				
11	235741	AIR CONTROL VALVE KIT	1				
12	160231	SCREW, fluid valve regulating	1				
13	111966	SPRING, fluid valve	1				
14	160227	PUSH ROD, fluid valve	1				
15	160232	GUIDE, spring and valve	1				

✓ Keep these spare parts on hand to reduce down time.

241854 Kit includes 1, 2 (all sizes), and 4.

Technical Data

Maximum Air Working Pressure 125 psi (9 bar)
Air Requirements 30 scfm (0.84 m³/min)
Fluid Inlet Size 3/4 npt(m)
Air Inlet Size 3/8 npsm(m)
Wetted Parts Aluminum, Stainless Steel,
Steel, Viton[®] flouroelastomers, Delrin

Sound Data (gun only):

Sound Pressure Level 96dB(A)*
Sound Power Level 104dB(A)*

* Spraying simulated acoustical texture under typical conditions as specified by the material manufacturer.

Viton and Delrin are registered trademarks of the DuPont Company

Dimensions

Weight (dry, without packaging) 34 oz (980 g)
Height 8.9" (226 mm)
Length 9.0" (229 mm)
Width 1.6" (41 mm)

Graco Standard Warranty

Graco warrants all equipment manufactured by Graco and bearing its name to be free from defects in material and workmanship on the date of sale by an authorized Graco distributor to the original purchaser for use. With the exception of any special, extended, or limited warranty published by Graco, Graco will, for a period of twelve months from the date of sale, repair or replace any part of the equipment determined by Graco to be defective. This warranty applies only when the equipment is installed, operated and maintained in accordance with Graco's written recommendations.

This warranty does not cover, and Graco shall not be liable for general wear and tear, or any malfunction, damage or wear caused by faulty installation, misapplication, abrasion, corrosion, inadequate or improper maintenance, negligence, accident, tampering, or substitution of non-Graco component parts. Nor shall Graco be liable for malfunction, damage or wear caused by the incompatibility of Graco equipment with structures, accessories, equipment or materials not supplied by Graco, or the improper design, manufacture, installation, operation or maintenance of structures, accessories, equipment or materials not supplied by Graco.

This warranty is conditioned upon the prepaid return of the equipment claimed to be defective to an authorized Graco distributor for verification of the claimed defect. If the claimed defect is verified, Graco will repair or replace free of charge any defective parts. The equipment will be returned to the original purchaser transportation prepaid. If inspection of the equipment does not disclose any defect in material or workmanship, repairs will be made at a reasonable charge, which charges may include the costs of parts, labor, and transportation.

THIS WARRANTY IS EXCLUSIVE, AND IS IN LIEU OF ANY OTHER WARRANTIES, EXPRESS OR IMPLIED, INCLUDING BUT NOT LIMITED TO WARRANTY OF MERCHANTABILITY OR WARRANTY OF FITNESS FOR A PARTICULAR PURPOSE.

Graco's sole obligation and buyer's sole remedy for any breach of warranty shall be as set forth above. The buyer agrees that no other remedy (including, but not limited to, incidental or consequential damages for lost profits, lost sales, injury to person or property, or any other incidental or consequential loss) shall be available. Any action for breach of warranty must be brought within two (2) years of the date of sale.

Graco makes no warranty, and disclaims all implied warranties of merchantability and fitness for a particular purpose in connection with accessories, equipment, materials or components sold but not manufactured by Graco. These items sold, but not manufactured by Graco (such as electric motors, switches, hose, etc.), are subject to the warranty, if any, of their manufacturer. Graco will provide purchaser with reasonable assistance in making any claim for breach of these warranties.

In no event will Graco be liable for indirect, incidental, special or consequential damages resulting from Graco supplying equipment hereunder, or the furnishing, performance, or use of any products or other goods sold hereto, whether due to a breach of contract, breach of warranty, the negligence of Graco, or otherwise.

FOR GRACO CANADA CUSTOMERS

The parties acknowledge that they have required that the present document, as well as all documents, notices and legal proceedings entered into, given or instituted pursuant hereto or relating directly or indirectly hereto, be drawn up in English. Les parties reconnaissent avoir convenu que la rédaction du présente document sera en Anglais, ainsi que tous documents, avis et procédures judiciaires exécutés, donnés ou intentés à la suite de ou en rapport, directement ou indirectement, avec les procédures concernées.

TO PLACE AN ORDER, contact your Graco distributor or call **1-800-690-2894** to identify the nearest distributor.

*All written and visual data contained in this document reflects the latest product information available at the time of publication.
Graco reserves the right to make changes at any time without notice.*

This manual contains English MM 308274

Graco Headquarters: Minneapolis
International Offices: Belgium, China, Japan, Korea
www.graco.com
Printed in USA 308274
2/1993 Rev. 8/2005