

INSTRUCTIONS

This manual contains important warnings and information.
READ AND RETAIN FOR REFERENCE
 See manual 308-393 for complete gun washer warnings and instructions.

PRESSURE POT AND PAINT CONTAINER Gun Washer Kit

Part No. 236-906

For use with Graco Gun Washer to clean pressure pots and other paint containers. The maximum height and width of the container the pressure washers can clean are shown in the chart below.

Gun Washer Model	Container:	
	Max. Height	Max. Diameter
112-635	14 in. (356 mm)	11 in. (279 mm)
112-636	14.5 in. (368 mm)	11 in. (279 mm)

WARNING

Observe all warnings. Read and understand all instruction manuals before operating equipment.

To reduce the risk of serious injury, including splashing fluid or solvent in the eyes or on the skin, shut off the air to the pump, relieve all system pressure, and drain the solvent from the gun washer tank before installing the kit.

Install Gun Support, Trigger Lock, and Fluid Inlet Adapter

1. Relieve the gun washer system pressure.
2. Remove 1/8" plug (A) from block between manifolds. See Fig. 1.
3. Screw the female coupler (2), supplied with the kit, into the 1/8" npt hole in the block. See Fig. 2.
4. Install the quick-disconnect end of the male coupler (1) into the female coupler (2).
5. Place the wire loop on the snap ring (3) and snap it around an open spray nozzle. Refer to Fig. 3 and the parts drawing on the back page.

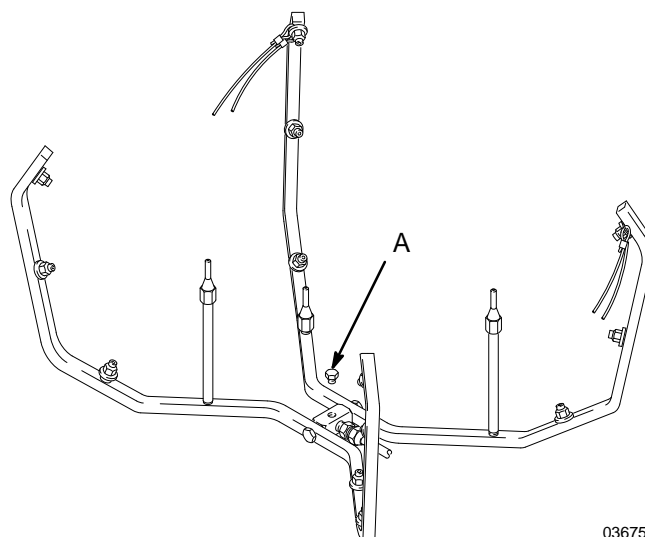


Fig. 1

03675

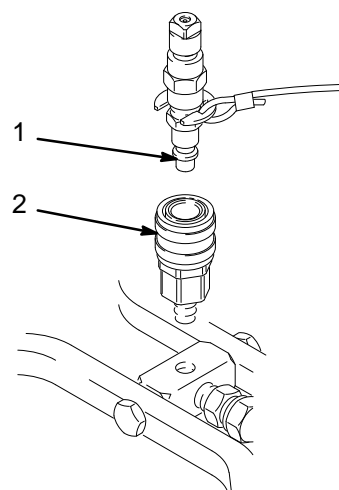


Fig. 2

03676

Clean the Pressure Pot or Container

1. Place the pressure pot or other paint container over the coupler assembly. See Fig. 3.
2. Operate the gun washer as instructed in the gun washer manual.
3. Remove the pot/container from the gun washer and blow or wipe any solvent remaining on it.

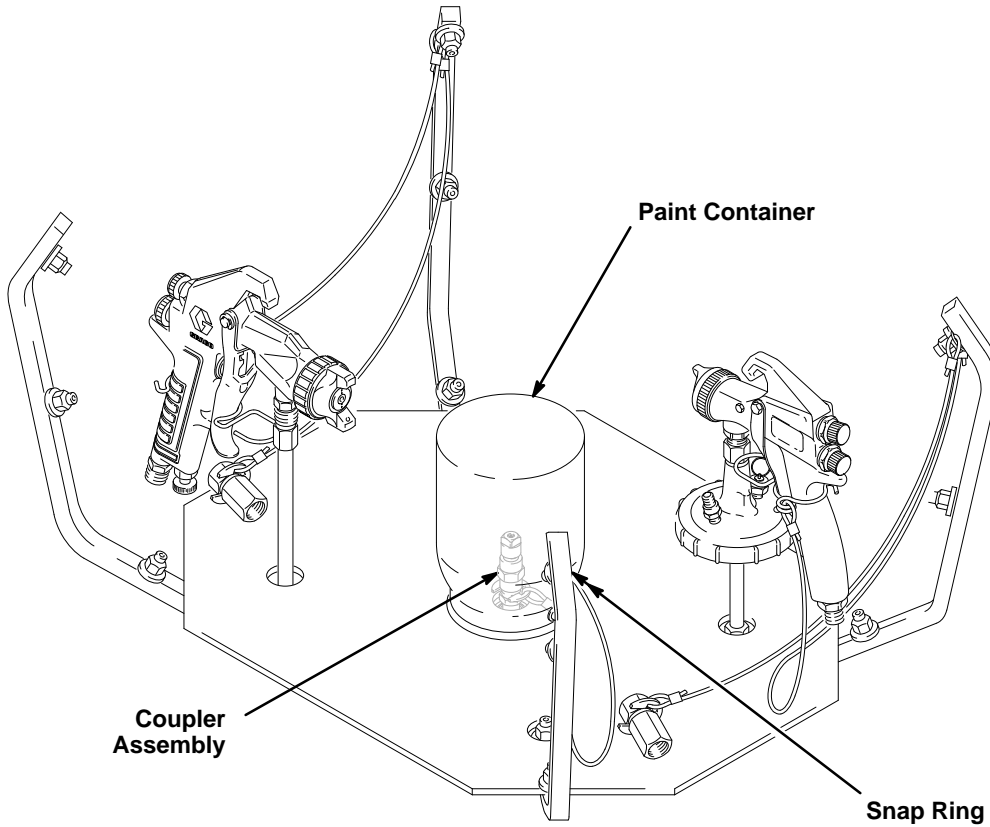
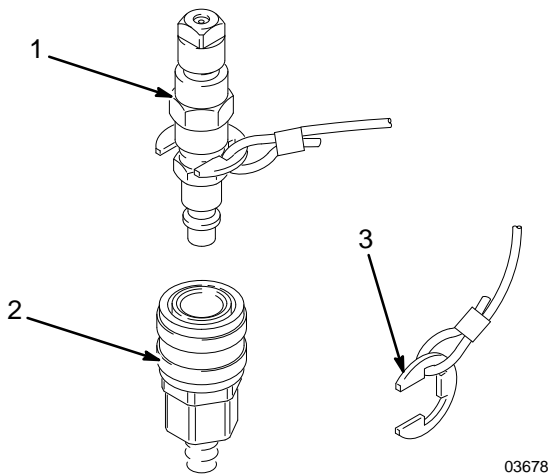


Fig. 3

03677

Parts Drawing



03678

Parts List

Part No. 236-906
Gun Washer Kit

Ref. No.	Part No.	Description	Qty.
1	112-695	COUPLER, male; Includes cable & 1 snap ring	1
2	112-696	COUPLER, female	1
3	112-851	SNAP RING	1

Graco Phone Numbers

FOR TECHNICAL ASSISTANCE, service repair information or assistance regarding the application of Graco equipment:
1-800-543-0339 Toll Free

TO PLACE AN ORDER, contact your Graco distributor, or call this number to identify the distributor closest to you:
1-800-367-4023 Toll Free

Sales Offices: Atlanta, Chicago, Dallas, Detroit, Los Angeles, Mt. Arlington (N.J.)
Foreign Offices: Canada; England; Korea; Switzerland; France; Germany; Hong Kong; Japan

GRACO INC. P.O. BOX 1441 MINNEAPOLIS, MN 55440-1441

PRINTED IN U.S.A. 308-414 7/94