

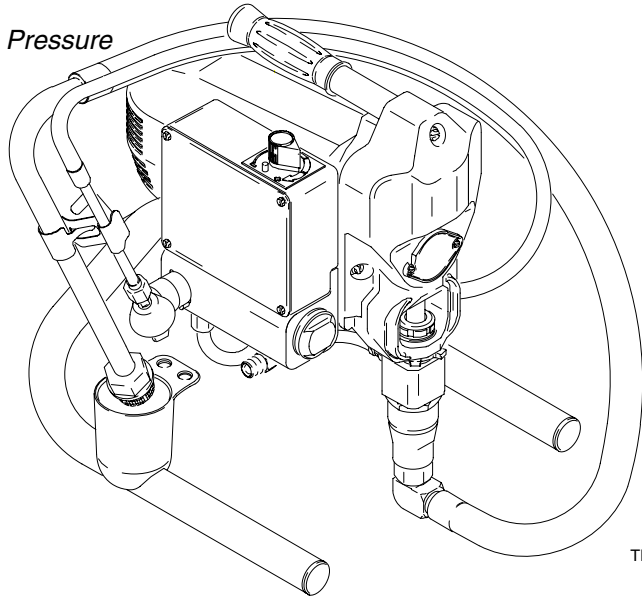
190ES™

232900 (Stand)

233797 (Hi-boy)

Airless Paint Sprayers

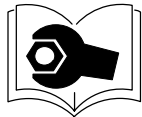
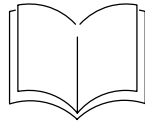
3000 psi (207 bar, 20.7 MPa) Maximum Working Pressure



TI0051B

232900

Related manuals



..... 309063



..... 309060



..... 309061



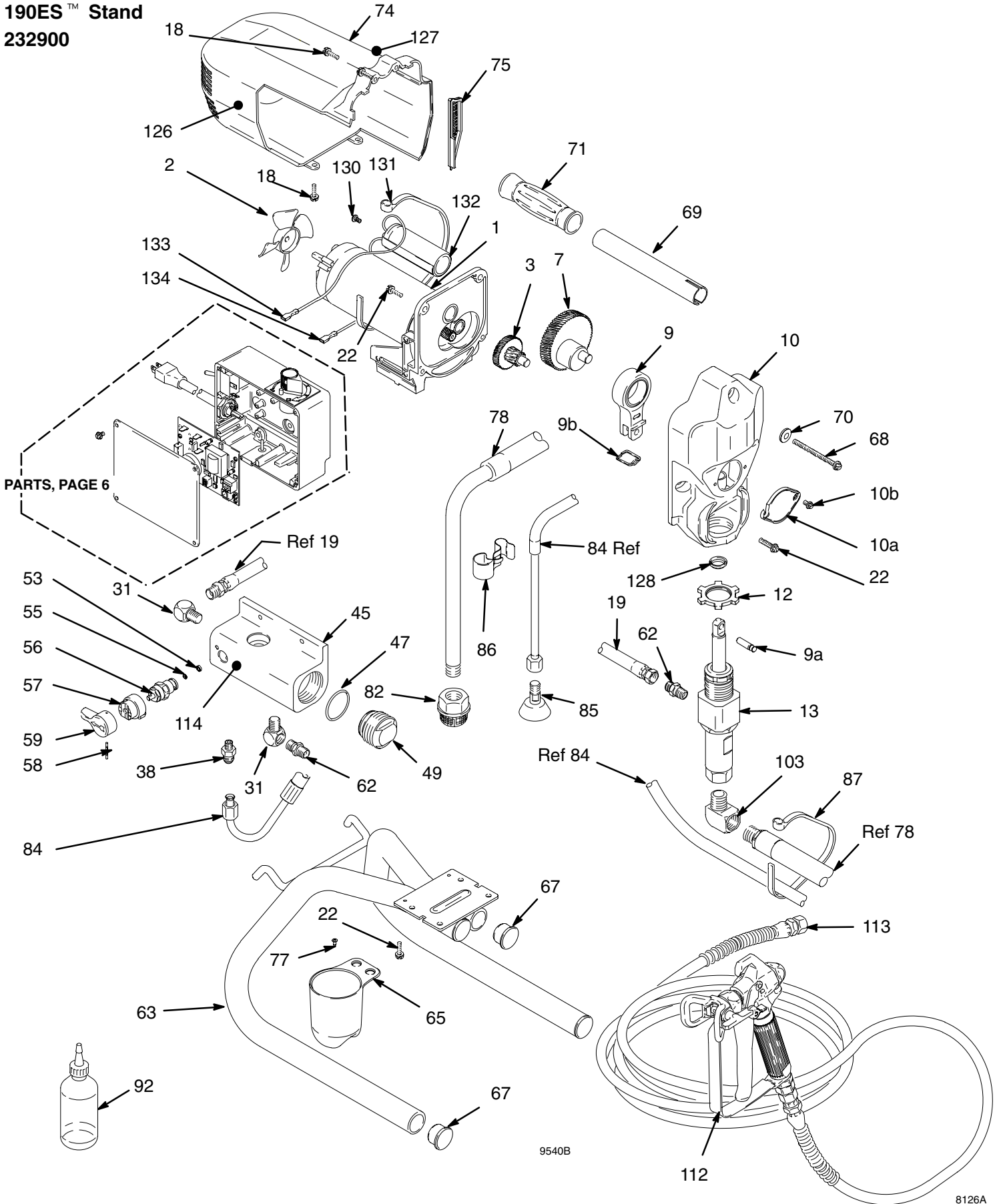
..... 308644



..... 309059

*Parts Drawing – Sprayer

190ES™ Stand
232900



Parts List – Sprayer

190ES™ Stand

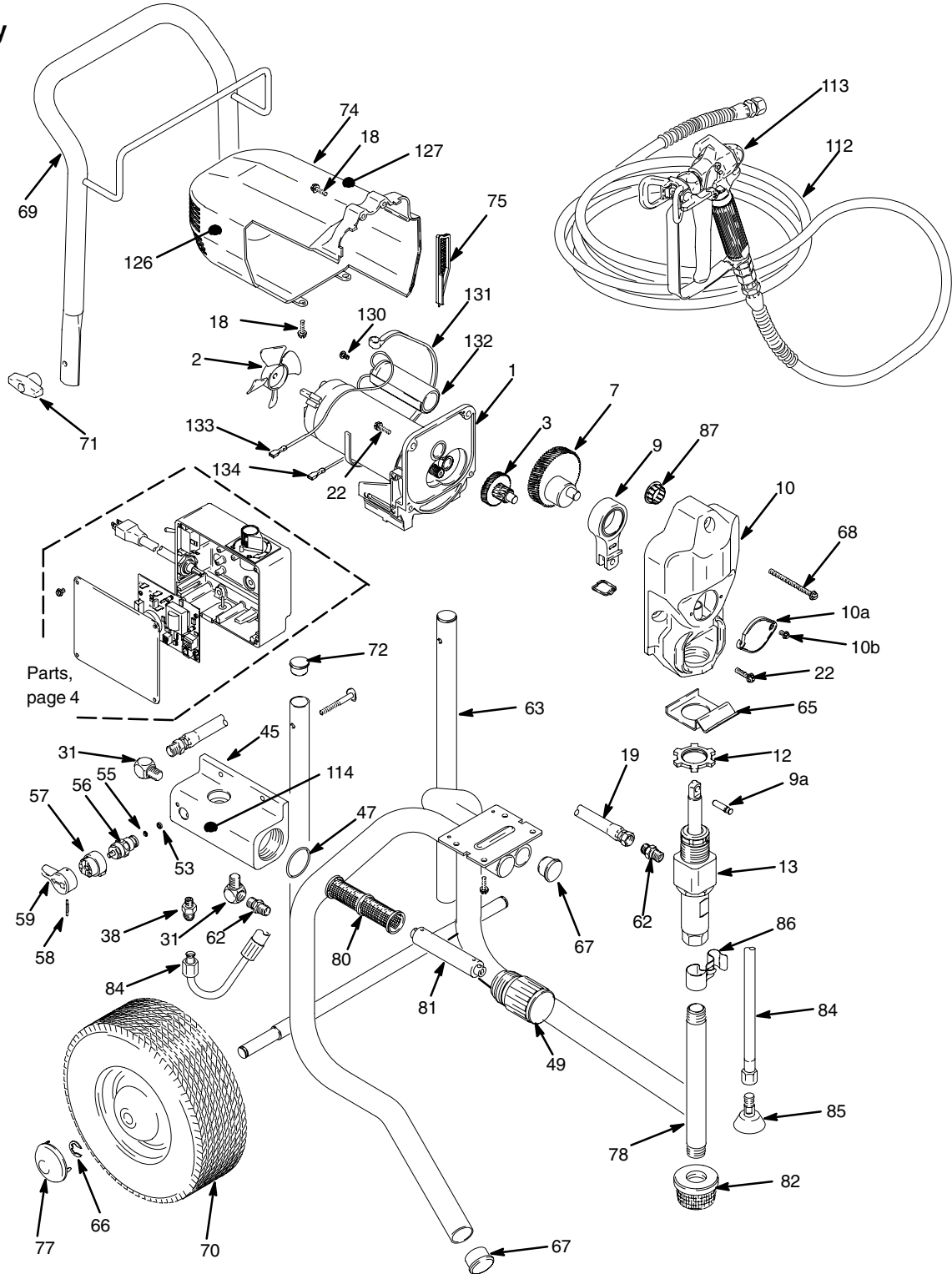
232900

REF NO.	PART NO.	DESCRIPTION	QTY	REF NO.	PART NO.	DESCRIPTION	QTY
1	242009*	MOTOR, 120 vac	1	67	107310	PLUG, tubing	4
2	115525	BLADE, fan motor	1	68	115506	SCREW, slot hd, hex, washer hd	1
3	243219	GEAR, combination	1	69	195425	HANDLE, sprayer	1
7	243218	CRANK SHAFT	1	70	100016	WASHER, lock	1
9	243221	CONNECTING ROD	1	71	108063	GRIP, handle	1
		includes 9a and 9b		74	243217	SHROUD, motor	1
9a	195175	PIN, pump	1			includes 18, 126, 127	
9b	195512	RETAINER, pin	1	75	195503	VENT, side	1
10	243220	DRIVE HOUSING	1	77	115509	SCREW, mach, pnhd, self-drill	1
		includes 10a and 10b		78	244354	HOSE, suction, flexible	1
10a	195099	COVER	1	82	235004	STRAINER	1
10b	115492	SCREW	2	84	244040	HOSE, drain, includes 85, 86	1
12	195150	NUT, jam, pump	1	85	241920	DEFLECTOR, threaded	1
13	243187	PUMP	1	86	195186	CLIP, spring	1
		Manual 309060		87	114958	STRAP, tie	1
18	115492	SCREW, mach slot hex, washer hd	4	92	206994	FLUID, TSL, 8 oz	1
19	241926	HOSE, coupled, high pressure	1	103	115764	FITTING, elbow, 90°	1
22	115495	SCREW, slot hd, hex, washer hd	8	112	243012	GUN, SG3 (517 RST™ tip)	1
31	195847	ADAPTER, pipe, hex	2			Manual 309061	
38	116150	FITTING, adapter	1	113	241923	HOSE, coupled, 1/4 in. x 50 ft (15 m)	1
45	195157	HOUSING, filter	1	114	195811	LABEL, instruction	1
47	104361	O-RING	1	126	195833▲	LABEL, WARNING	1
49	195372	CAP, filter	1	127	195838▲	LABEL, DANGER	1
53	111699	GASKET, seat, valve	1	128	115491	WIPER, rod	1
55	187615	VALVE, seat	1	130	115762	SCREW	2
56	235014	ASSY, drain valve	1	131	103546	WRAP, tie	1
		includes 53 and 55		132	243415	CAPACITOR	1
57	224807	ASSY, cam, drain valve	1	133	195936	WIRE, jumper, red	1
58	111600	PIN, grooved	1	134	195937	WIRE, jumper, black	1
59	187625	HANDLE, valve, drain	1				
62	162453	NIPPLE, 1/4 npt(m) x 1/4 npsm	2				
63	241858	FRAME, stand mount	1				
65	195177	HOLDER, suction tube	1				

▲Extra Danger and Warning tags and labels available free.
* Motor Brush Kit 243215 is available

Parts Drawing – Sprayer

190ES™ Hi-boy
233797



T11634A

Parts List – Sprayer

190ES™ Hi-boy

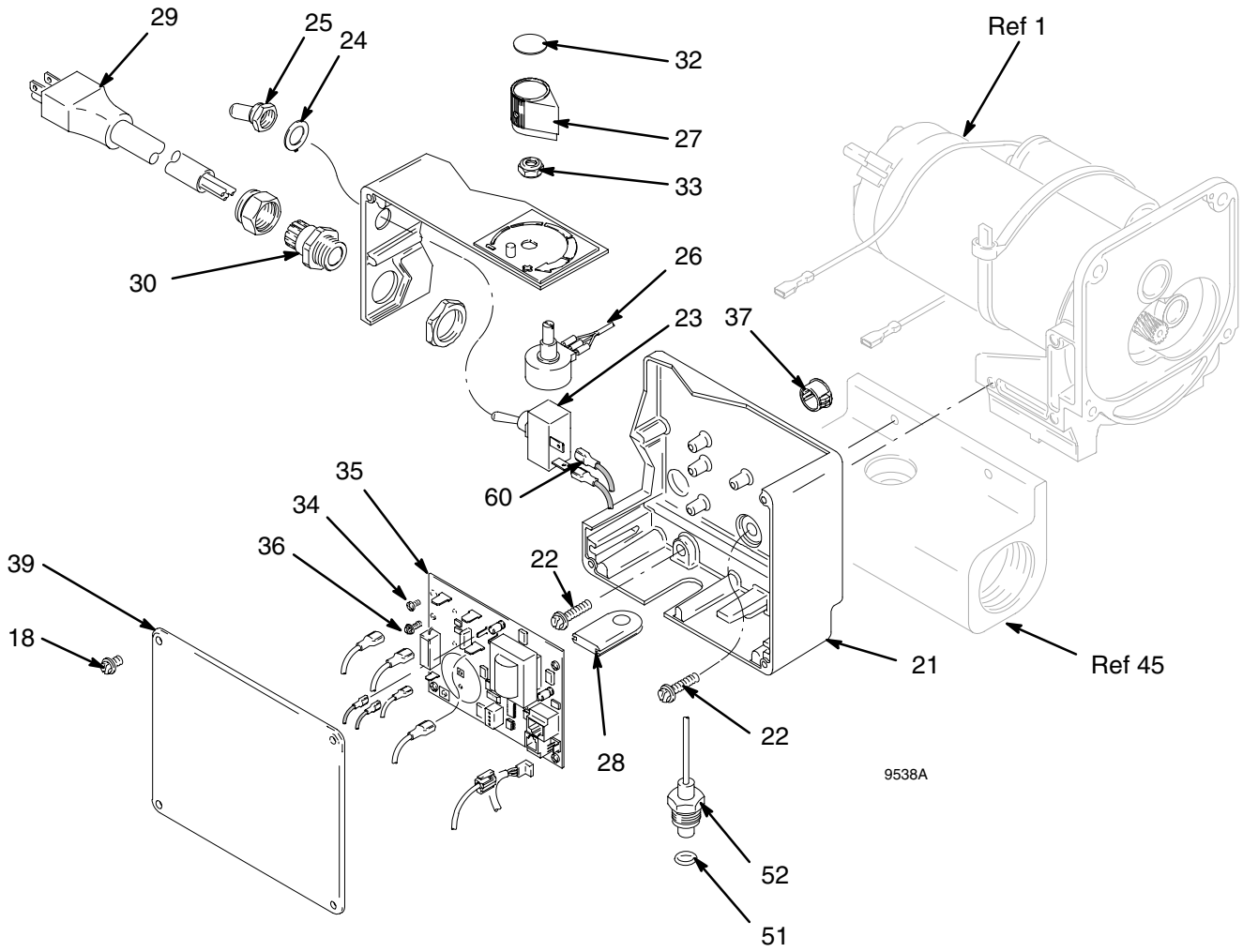
233797

REF NO.	PART NO.	DESCRIPTION	QTY	REF NO.	PART NO.	DESCRIPTION	QTY
1	242009*	MOTOR, 120 vac	1	66	101242	RING, retaining, external	2
2	115525	BLADE, fan motor	1	67	107310	PLUG, tubing	4
3	243219	GEAR, combination	1	68	115097	SCREW, curved head	2
7	243218	CRANK SHAFT	1	69	241938	HANDLE, cart	1
9	243221	CONNECTING ROD	1	70	106062	WHEEL, semi-pneumatic	2
		includes 9a and 9b		71	115480	KNOB, t-handle	2
9a	195175	PIN, pump	1	72	105521	PLUG, tubing	4
9b	195512	RETAINER, pin	1	74	243217	SHROUD, motor,kit	1
10	243220	DRIVE HOUSING	1			includes 18, 75, 126, 127	
		includes 10a and 10b		75	195503	VENT, side	1
10a	195099	COVER	1	77	104811	CAP, hub	2
10b	115492	SCREW	2	78	198973	TUBE, suction	1
12	195150	NUT, jam, pump	1	80	243080	FILTER, fluid	1
13	243187	PUMP	1	81	196773	FILTER, insert	1
		Manual 309060		82	183770	STRAINER, kit	1
18	115492	SCREW, mach slot hex, washer hd	4	84	244042	HOSE, drain,	1
19	241926	HOSE, coupled, high pressure	1	85	241920	DEFLECTOR, threaded	1
22	115495	SCREW, slot hd, hex, washer hd	8	86	195696	CLIP, spring	1
31	195847	ADAPTER, pipe, hex	2	87	115979	PLUG	1
38	116150	FITTING, adapter	1	112	243012	GUN, SG3 (517 RST Tip manual 309061)	1
45	195157	HOUSING, filter	1				
47	104361	O-RING	1	113	241923	HOSE, 1/4 in. x 50 ft (15 m)	1
49	195139	CAP, filter	1	114	195811	LABEL, instruction	1
53	111699	GASKET, seat, valve	1	126	195833▲	LABEL, WARNING	1
55	187615	VALVE, seat	1	127	195838▲	LABEL, DANGER	1
56	235014	ASSY, drain valve	1	130	115762	SCREW	2
		includes 53 and 55		131	103546	WRAP, tie	1
57	224807	ASSY, cam, drain valve	1	132	243415	CAPACITOR	1
58	111600	PIN, grooved	1	133	195936	WIRE, jumper, red	1
59	187625	HANDLE, valve, drain	1	134	195937	WIRE, jumper, black	1
62	162453	NIPPLE, 1/4 npt(m) x 1/4 npsm	2				
63	241934	FRAME, cart	1				
65	195497	HOOK, pail	1				

▲ Extra Danger and Warning tags and labels available free.

* Motor Brush Kit 243215 is available

Parts Drawing – Sprayer



Parts List – Sprayer

190ES™ Sprayer
232900, 233797

REF NO.	PART NO.	DESCRIPTION	QTY	REF NO.	PART NO.	DESCRIPTION	QTY
18	115492	SCREW, slot hd, hex, washer hd	4	32	193072	LABEL, control	1
21	276539	HOUSING, control	1	33	112382	NUT, shaft, sealing	1
22	115495	SCREW, slot hd, hex, washer hd	5	34	115498	SCREW, slot hd, hex, washer hd	1
23	195429	SWITCH, toggle	1	35	241989	BOARD, control	1
24	105658	RING, locking	1	36	115494	SCREW, 6-32 X 1/2, TAPTITE	5
25	195428	BOOT, toggle	1	37	115756	BUSHING, strain relief	1
26	236352	POTENTIOMETER, adjust, pressure	1	39	195700	COVER, control	1
27	116167	KNOB, potentiometer	1	51	111457	O-RING	1
28	195423	GROMMET, transducer	1	52	243222	TRANSDUCER, pressure control includes 51	1
29	241729	CORD SET, power	1	60	195866	WIRE, jumper	1
30	114421	BUSHING, strain relief	1				

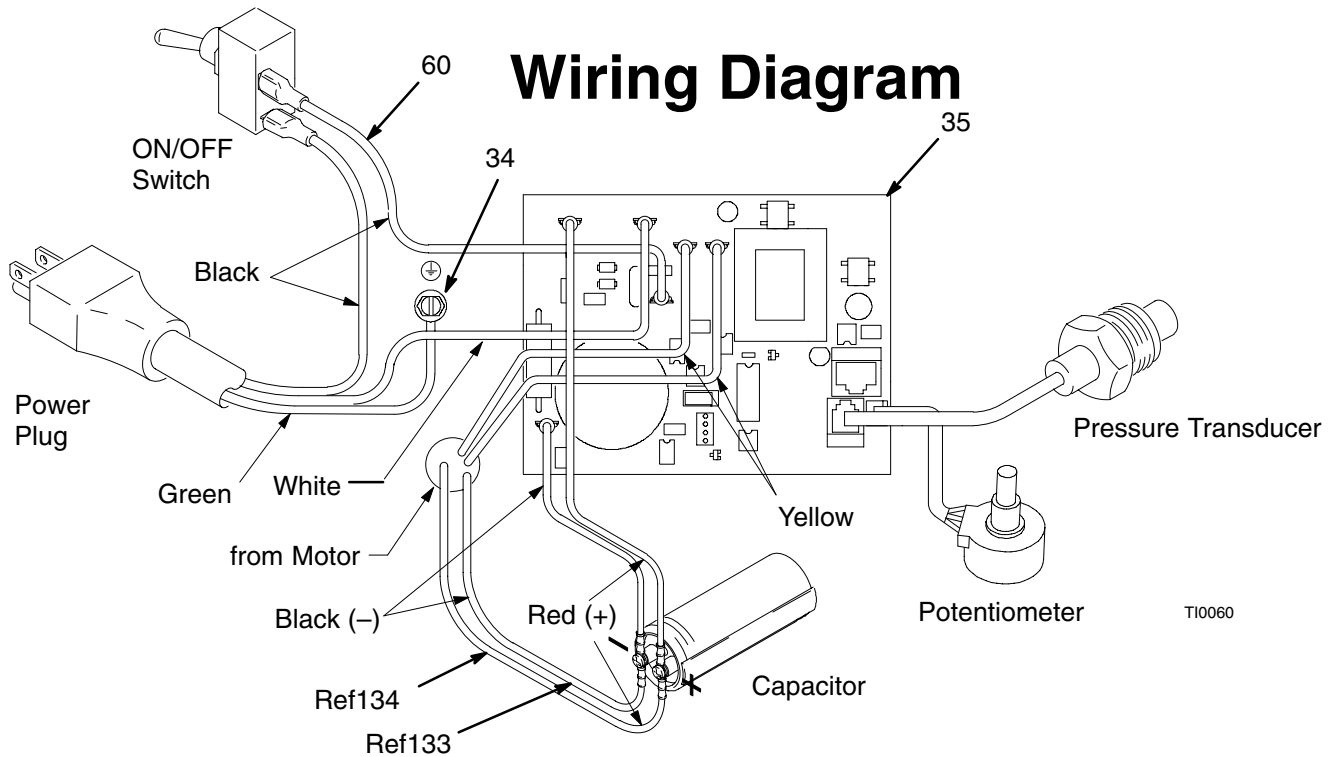


Fig. 1

TO PLACE AN ORDER OR FOR SERVICE,
contact your Graco distributor, or call 1-888-541-9788 to identify the nearest distributor.

*All written and visual data contained in this document reflects the latest product information available at the time of publication.
Graco reserves the right to make changes at any time without notice.*

Sales Offices: Minneapolis, Detroit
International Offices: Belgium, Korea, Hong Kong, Japan

GRACO INC. P.O. BOX 1441 MINNEAPOLIS, MN 55440-1441

www.graco.com

PRINTED IN USA 309064 December 1999, Revised 12/2001