


# Instructions - Parts List



 **Important Safety Instructions**  
Read all warnings and instructions in this manual. Save these instructions.

## 309194B

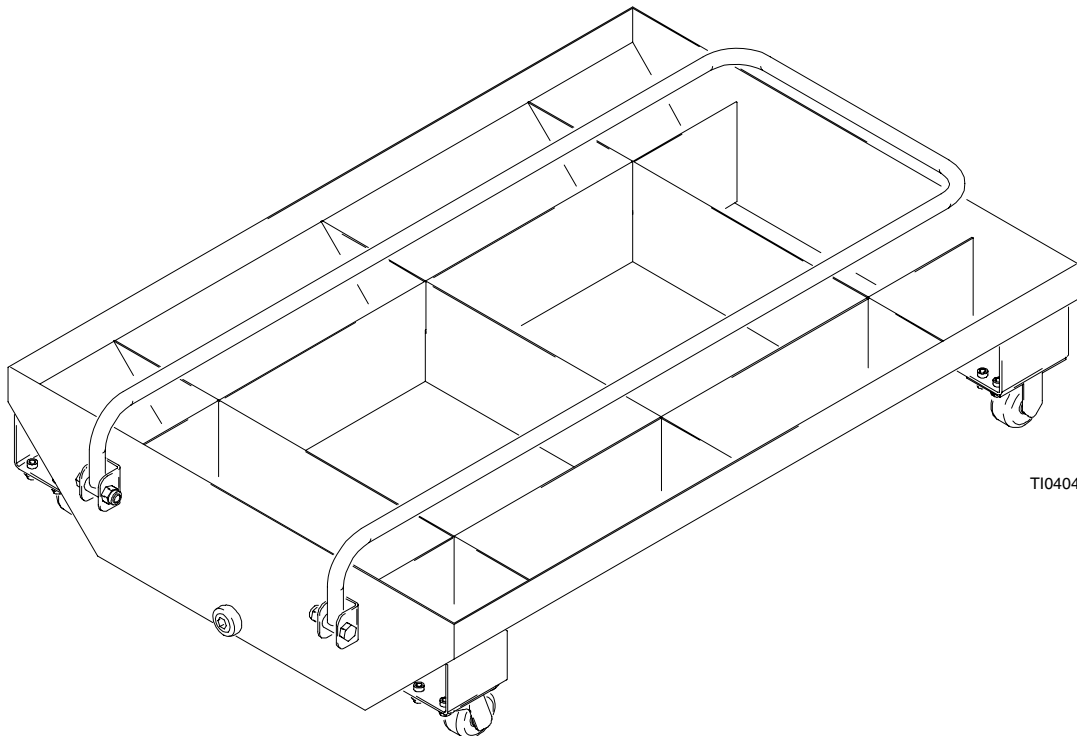
26-Gallon (98-Liter)

# Rolling Truck Drain

Model 244055, Series A

## Table of Contents

Warnings .....	2
Assembly and Operation .....	4
Parts List and Drawing .....	6
Technical Data .....	7
Graco Phone Number .....	8



**GRACO INC. P.O. BOX 1441 MINNEAPOLIS, MN 55440-1441**

©COPYRIGHT 1999, GRACO INC.

Graco Inc. is registered to I.S. EN ISO 9001

# Symbols

## Warning Symbol



This symbol alerts you to the possibility of serious injury or death if you do not follow the instructions.

## Caution Symbol



This symbol alerts you to the possibility of damage to or destruction of equipment if you do not follow the instructions.

## **WARNING**



INSTRUCTIONS

### **EQUIPMENT MISUSE HAZARD**

Equipment misuse can cause the equipment to malfunction and result in serious injury.

- This equipment is for professional use only.
- Read all instruction manuals before you operate this equipment.
- Use the equipment only for its intended purpose. If you are not sure, contact your Graco distributor.
- Do not alter or modify this equipment.
- Check equipment daily. Repair or replace worn or damaged parts immediately.
- This equipment is intended for collection of motor oil, transmission fluid, antifreeze and gear oils only. Any other use or collection of any other fluids could result in damage to the equipment or serious bodily injury.
- Always wear protective eyewear, gloves, clothing, and respirator as recommended by the fluid and solvent manufacturer.
- Comply with all applicable local, state, and national fire, electrical, and safety regulations.
- Dispose of waste fluids according to all local, state, and national guidelines.
- Do not lift this product without mechanical assistance.
- Do not lift the unit to drain fluids without mechanical assistance.

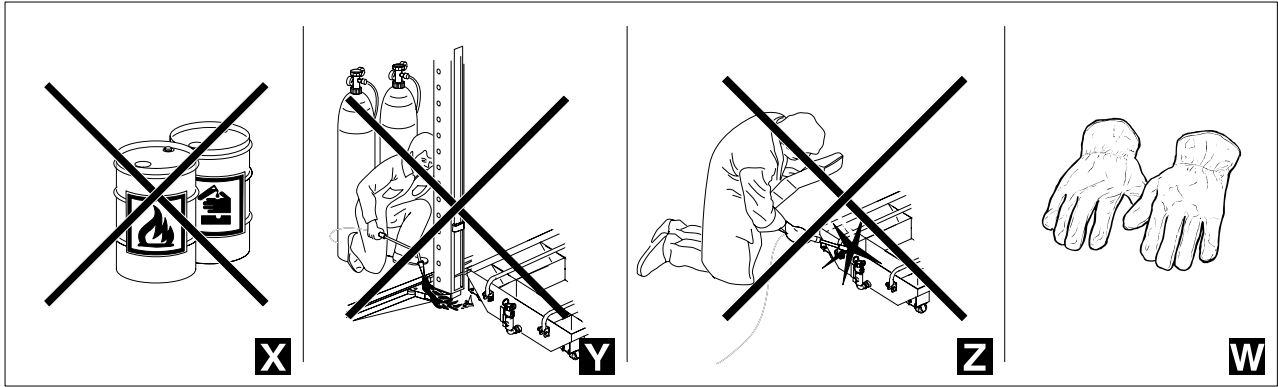


### **FIRE AND EXPLOSION HAZARD**

This equipment is not intended for use with flammable liquids. Poor ventilation, open flames, or sparks can cause a hazardous condition and result in a fire or explosion and serious injury.

- If you are using this unit with an evacuation system, make sure the pumping system is installed and grounded according to the manufacturer's recommendation.
- Drain only the following liquids into the rolling truck drain: motor oil, transmission fluid, antifreeze and gear oils.
- Provide fresh air ventilation to avoid the buildup of flammable fumes.
- Extinguish all open flames in the work area.
- Do not smoke in the work area.

# WARNING



- X** – Do not drain caustic or flammable products.
- Y** – Do not expose the tank to any source of heat.
- Z** – Do not do any welding on the tank.
- W** – While draining high temperature oils, keep hands, face, and other body areas protected.

# Assembly and Operation

## WARNING

Never remove the grate or insert a finger into the drain port when vacuum evacuation of the contents is being performed.

## CAUTION

The rolling truck drain is intended for use only on flat surfaces. Slopped surfaces can cause the rolling truck drain to move out of position.

### ASSEMBLY

The rolling truck drain comes completely assembled with the exception of the four roller casters.

## WARNING

Do not lift this product without mechanical assistance.

### Attaching the swivel and fixed casters

1. To attach the two swivel and two fixed casters to the truck drain, extend the handle out, and position the drain so the bottom faces up.
2. Match the bolt patterns of the two fixed casters (ref. no. 9, parts list) to the rear of the drain (away from handle) and attach using four bolts per caster, (ref. no. 13, parts list).
3. Match the bolt patterns of the two swivel casters (ref. no. 8, parts list) to the front of the drain (towards the handle) and attach using four bolts per caster, (ref. no. 13, parts list).
4. Return the truck drain to the upright position.

### OPERATION

## WARNING

Always position the handle of the rolling truck drain out of traffic areas around the vehicle being serviced. Failure to do so can create a tripping hazard.

### Draining fluids into the unit

The rolling truck drain can be drained by gravity or by using the optional evacuation kit (ref. part no. 240832, Parts List) that can be ordered from your Graco Distributor.

If using the optional evacuation kit remove the 3/4 in. coupler, camlock female from the evacuation kit and attach it to an evacuation pump.

1. Make sure the removable grate is in place. This allows the user to drain filters and prevents the loss of drain plugs and tools in the tank.
2. Position the rolling truck drain under the vehicle where the oil will be drained. For ease in positioning the unit during use, it is best to guide the unit by the front handle, because the pivoting casters are on the front. **Once in place always position the handle of the rolling truck drain out of traffic areas around the vehicle being serviced. Failure to do so can create a tripping hazard.**

### Emptying fluids from the unit

## CAUTION

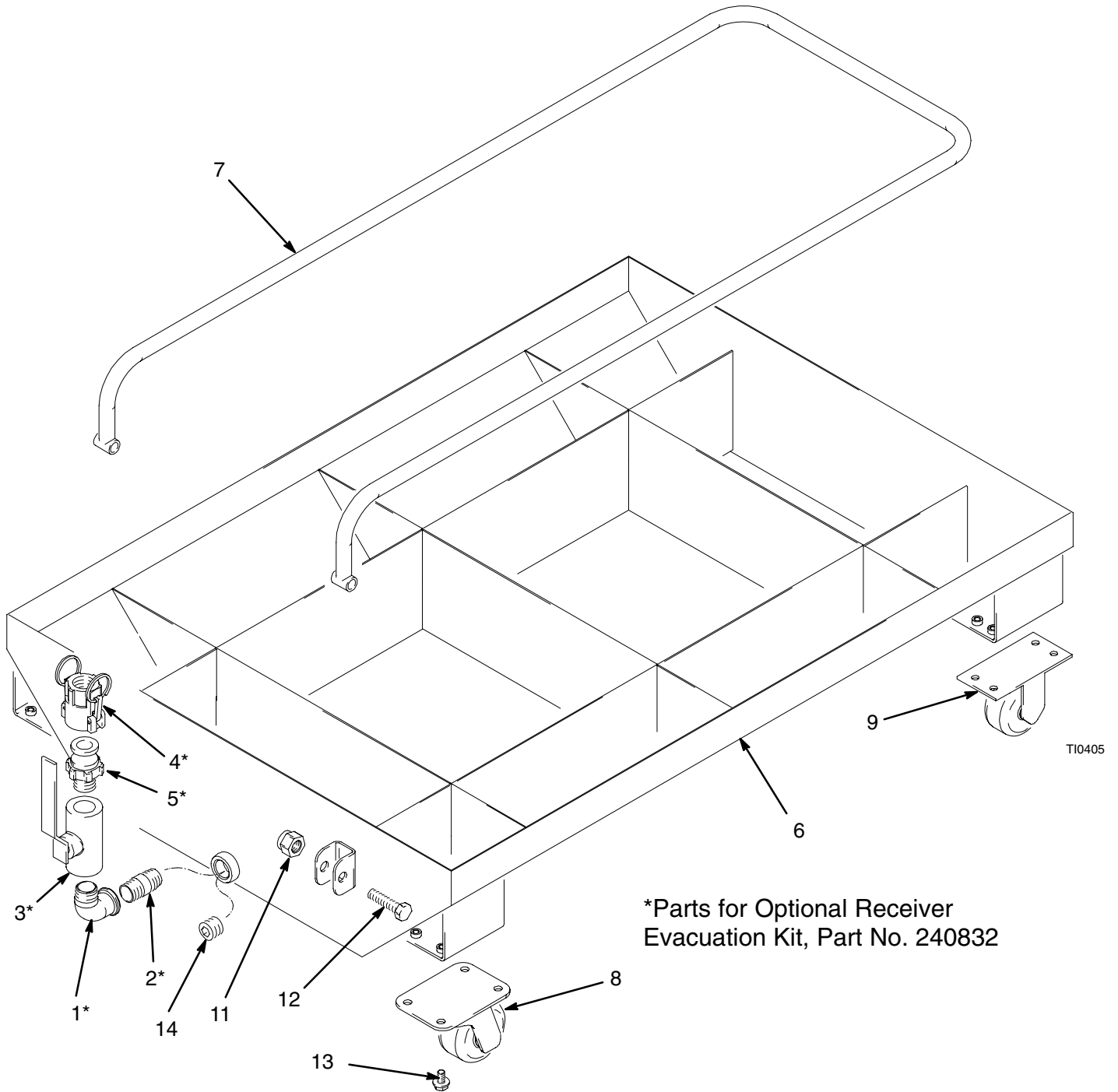
The rolling truck drain is designed to hold up to 26 gallons of used oil before draining the system. The level of oil should never exceed the height of the grate. Always ensure that enough volume is available in the container before draining additional oil into it. It is recommended that fluids be drained at frequent intervals to lower the risk of spilling and emissions of waste materials and gases from the fluids.

1. Using the handle, position the rolling truck drain at the location where the oil will be drained or evacuated into an approved waste container.
  - If using gravity to drain, remove the drain plug (ref 14, parts list) on the unit and allow the fluid to drain into the waste container.
  - If using the optional evacuation kit, couple the hose from the shop evacuation pump to the rolling truck drain evacuation coupler, open the ball valve, and start the evacuation pump.
2. After fluids have been drained from the unit's tank replace the drain plug, or close the ball valve and disconnect the evacuation pump hose.

**Note: Always dispose of waste oil and other fluids in accordance with Federal, State, and Local guidelines.**



# Parts List and Drawing



# Parts List

## Rolling Truck Drain, Model 244055, Series A

Ref. No.	Part No.	Description	Qty.	Ref. No.	Part No.	Description	Qty.
6	244055	TANK	1	11	101580	NUT, lock 1/2"-13	2
7	244056	HANDLE	1	12	100096	SCREW, Cap, Hex, HD 1/2" x 2"-13	2
8	116187	CASTER, swivel, polyurethane	2	13	111801	SCREW, Cap. Hex, HD 5/16" x 1/2"-18	16
9	116186	CASTER, fixed, polyurethane	2	14	113657	PLUG, pipe; 3/4 in.	1
10	116189	GRATE, removable (not shown)	1				

## Optional Receiver Evacuation Kit, Part No. 240832

Ref. No.	Part No.	Description	Qty.	Ref. No.	Part No.	Description	Qty.
	240832	KIT, installation, receiver evacuation includes items 1 thru 5	1	3*	109077	•VALVE, ball, 3/4 in.	1
1*	100549	•ELBOW, street, 3/4 in.	1	4*	113907	•CAMLOCK, female, 3/4 in.	1
2*	100627	•NIPPLE, 3/4 in. x 2 in. long	1	5*	113902	•CAMLOCK, male, 3/4 in.	1

## Technical Data

Length	42 in. (106.7 cm)
Width	30 in. (76.2 cm)
Height with handle in storage position	11 in. (27.9 cm)
Height of tank	9 in. (22.9 cm)
Dry weight	85 lbs (38.25 kg)
Fluid capacity to top of grate	26 gal. (98.4 ltr)
Ground clearance minimum	3/4 in. (1.9 cm)

# Graco Standard Warranty

Graco warrants all equipment manufactured by Graco and bearing its name to be free from defects in material and workmanship on the date of sale by an authorized Graco distributor to the original purchaser for use. With the exception of any special, extended, or limited warranty published by Graco, Graco will, for a period of twelve months from the date of sale, repair or replace any part of the equipment determined by Graco to be defective. This warranty applies only when the equipment is installed, operated and maintained in accordance with Graco's written recommendations.

This warranty does not cover, and Graco shall not be liable for general wear and tear, or any malfunction, damage or wear caused by faulty installation, misapplication, abrasion, corrosion, inadequate or improper maintenance, negligence, accident, tampering, or substitution of non-Graco component parts. Nor shall Graco be liable for malfunction, damage or wear caused by the incompatibility of Graco equipment with structures, accessories, equipment or materials not supplied by Graco, or the improper design, manufacture, installation, operation or maintenance of structures, accessories, equipment or materials not supplied by Graco.

This warranty is conditioned upon the prepaid return of the equipment claimed to be defective to an authorized Graco distributor for verification of the claimed defect. If the claimed defect is verified, Graco will repair or replace free of charge any defective parts. The equipment will be returned to the original purchaser transportation prepaid. If inspection of the equipment does not disclose any defect in material or workmanship, repairs will be made at a reasonable charge, which charges may include the costs of parts, labor, and transportation.

**THIS WARRANTY IS EXCLUSIVE, AND IS IN LIEU OF ANY OTHER WARRANTIES, EXPRESS OR IMPLIED, INCLUDING BUT NOT LIMITED TO WARRANTY OF MERCHANTABILITY OR WARRANTY OF FITNESS FOR A PARTICULAR PURPOSE.**

Graco's sole obligation and buyer's sole remedy for any breach of warranty shall be as set forth above. The buyer agrees that no other remedy (including, but not limited to, incidental or consequential damages for lost profits, lost sales, injury to person or property, or any other incidental or consequential loss) shall be available. Any action for breach of warranty must be brought within two (2) years of the date of sale.

Graco makes no warranty, and disclaims all implied warranties of merchantability and fitness for a particular purpose in connection with accessories, equipment, materials or components sold but not manufactured by Graco. These items sold, but not manufactured by Graco (such as electric motors, switches, hose, etc.), are subject to the warranty, if any, of their manufacturer. Graco will provide purchaser with reasonable assistance in making any claim for breach of these warranties.

In no event will Graco be liable for indirect, incidental, special or consequential damages resulting from Graco supplying equipment hereunder, or the furnishing, performance, or use of any products or other goods sold hereto, whether due to a breach of contract, breach of warranty, the negligence of Graco, or otherwise.

## **FOR GRACO CANADA CUSTOMERS**

The parties acknowledge that they have required that the present document, as well as all documents, notices and legal proceedings entered into, given or instituted pursuant hereto or relating directly or indirectly hereto, be drawn up in English. Les parties reconnaissent avoir convenu que la rédaction du présente document sera en Anglais, ainsi que tous documents, avis et procédures judiciaires exécutés, donnés ou intentés à la suite de ou en rapport, directement ou indirectement, avec les procédures concernées.

# Graco Phone Number

**TO PLACE AN ORDER**, contact your Graco distributor, or call this number to identify the distributor closest to you:  
**1-800-533-9655 Toll Free**

*All written and visual data contained in this document reflects the latest product information available at the time of publication.  
Graco reserves the right to make changes at any time without notice.*

This manual contains English. MM 309194

**Graco Headquarters:** Minneapolis  
**International Offices:** Belgium, China, Japan, Korea

**GRACO INC. P.O. BOX 1441 MINNEAPOLIS, MN 55440-1441**

**[www.graco.com](http://www.graco.com)**

6/2000, Revised 11/2007