

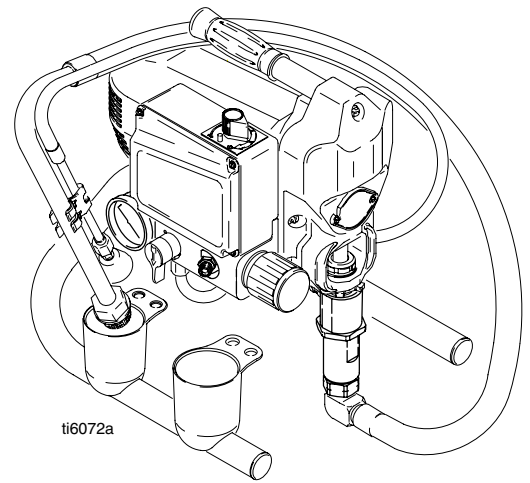
STX™

240V

234179, A, B

Airless Paint Sprayers

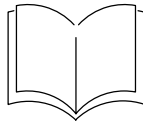
3000 psi (207 bar, 20.7 MPa) Maximum Working Pressure



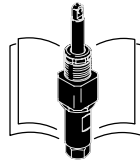
ti6072a

234179

Related manuals



..... 309710



..... 309053



..... 309639



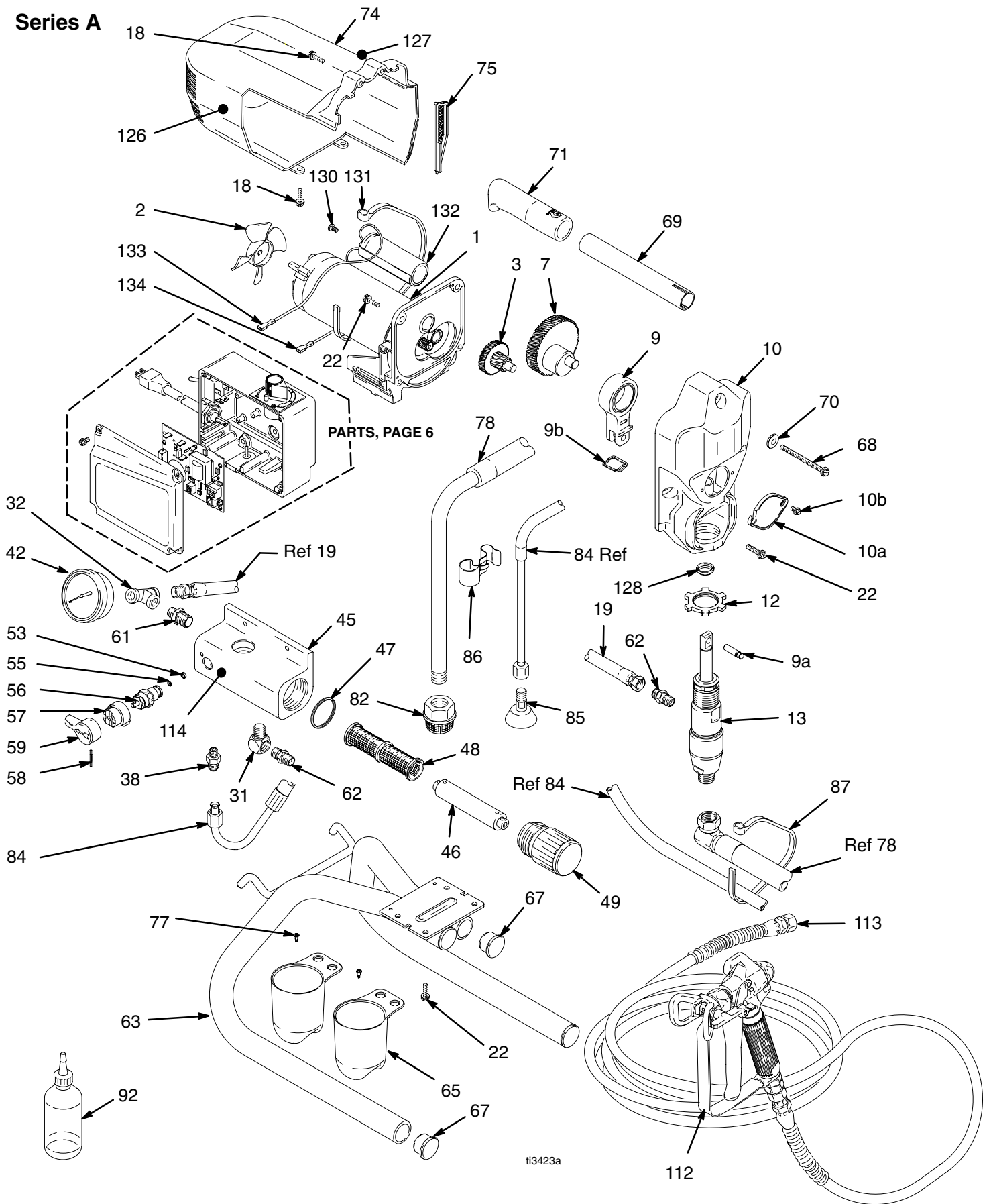
..... 309055



..... 309725

*Parts Drawing – Sprayer

Series A



ti3423a

Parts List – Sprayer

Series A

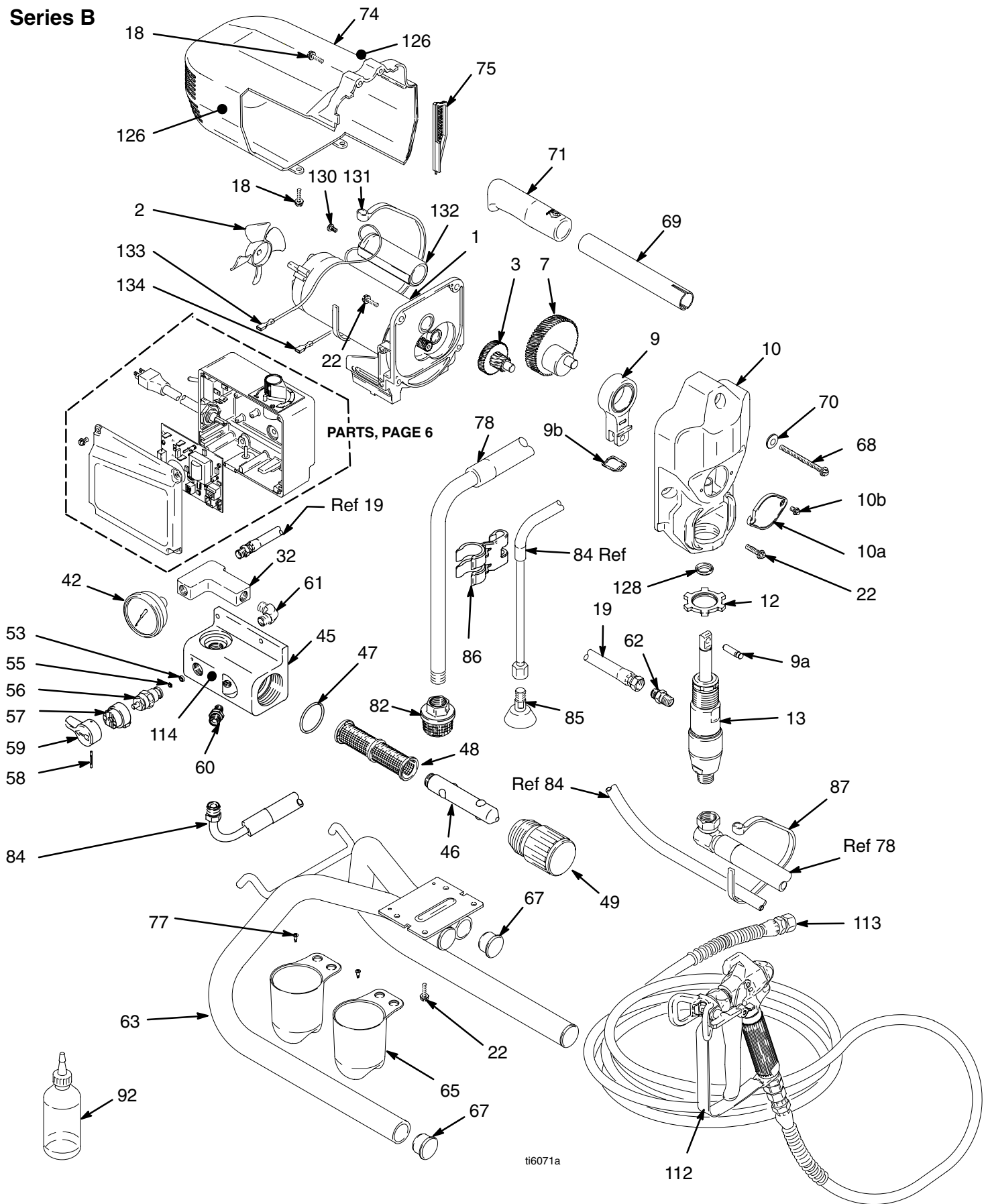
REF NO.	PART NO.	DESCRIPTION	QTY	REF NO.	PART NO.	DESCRIPTION	QTY
1	242013‡	MOTOR	1	61	157350	ADAPTER, 3/8 npt x 1/4 npt	1
2	115525	BLADE, fan motor	1	62	162453	NIPPLE, 1/4 npt(m) x 1/4 npsm	2
3	243219	GEAR, combination	1	63	245221	FRAME, stand mount	1
7	243218	CRANK SHAFT	1	65	195177	HOLDER, suction tube	2
9	243221	CONNECTING ROD	1	67	107310	PLUG, tubing	4
		includes 9a and 9b		68	115506	SCREW, slot hd, hex, washer hd	1
9a	195175	PIN, pump	1	69	195425	HANDLE, sprayer	1
9b	195512	RETAINER, pin	1	70	100016	WASHER, lock	1
10	243220	DRIVE HOUSING	1	71	116139	GRIP, handle	1
		includes 10a and 10b		74	243217	SHROUD, motor	1
10a	195099	COVER	1			includes 18, 126, 127	
10b	115492	SCREW	2	75	195503	VENT, side	1
12	195150	NUT, jam, pump	1	77	115509	SCREW, mach, pnhd, self-drill	2
13	246426	PUMP	1	78	244353	HOSE, suction, flexible	1
		Manual 309053		82	235004	STRAINER	1
18	115492	SCREW, mach slot hex, washer hd	4	84	244040	HOSE, drain, includes 85, 86	1
19	241926	HOSE, coupled, high pressure	1	85	241920	DEFLECTOR, threaded	1
22	115495	SCREW, slot hd, hex, washer hd	8	86	195186	CLIP, spring	1
31	195847	ADAPTER, pipe, hex	1	87	114958	STRAP, tie	1
32	104984	TEE, pipe	1	92	206994	FLUID, TSL, 8 oz	1
38	116150	FITTING, adapter	1	112	246540	GUN, FTx-A II, 517 RAC® 5 tip	1
42	115523	GAUGE, pressure, fluid	1			Manual 309639	
45	195157	HOUSING, filter	1	113	240794	HOSE, coupled, 1/4 in. x 50 ft (15 m)	1
46	196773	INSERT, filter	1	114	195811	LABEL, instruction	1
47	104361	O-RING	1	126	195792▲	LABEL, WARNING	1
48	243080	FILTER, fluid, 60 mesh	1	127	195839▲	LABEL, DANGER	1
49	195139	CAP, filter	1	128	115491	WIPER, rod	1
53	111699	GASKET, seat, valve	1	130	115762	SCREW	2
55	187615	VALVE, seat	1	131	103546	WRAP, tie	1
56	235014	ASSY, drain valve	1	132	243645	CAPACITOR	1
		includes 53 and 55		133	195936	WIRE, jumper, red	1
57	224807	ASSY, cam, drain valve	1	134	195937	WIRE, jumper, black	1
58	111600	PIN, grooved	1				
59	187625	HANDLE, valve, drain	1				

▲Extra Danger and Warning tags and labels available free.

‡ Motor Brush Kit 245894 is available

*Parts Drawing – Sprayer

Series B



ti6071a

Parts List – Sprayer

Series B

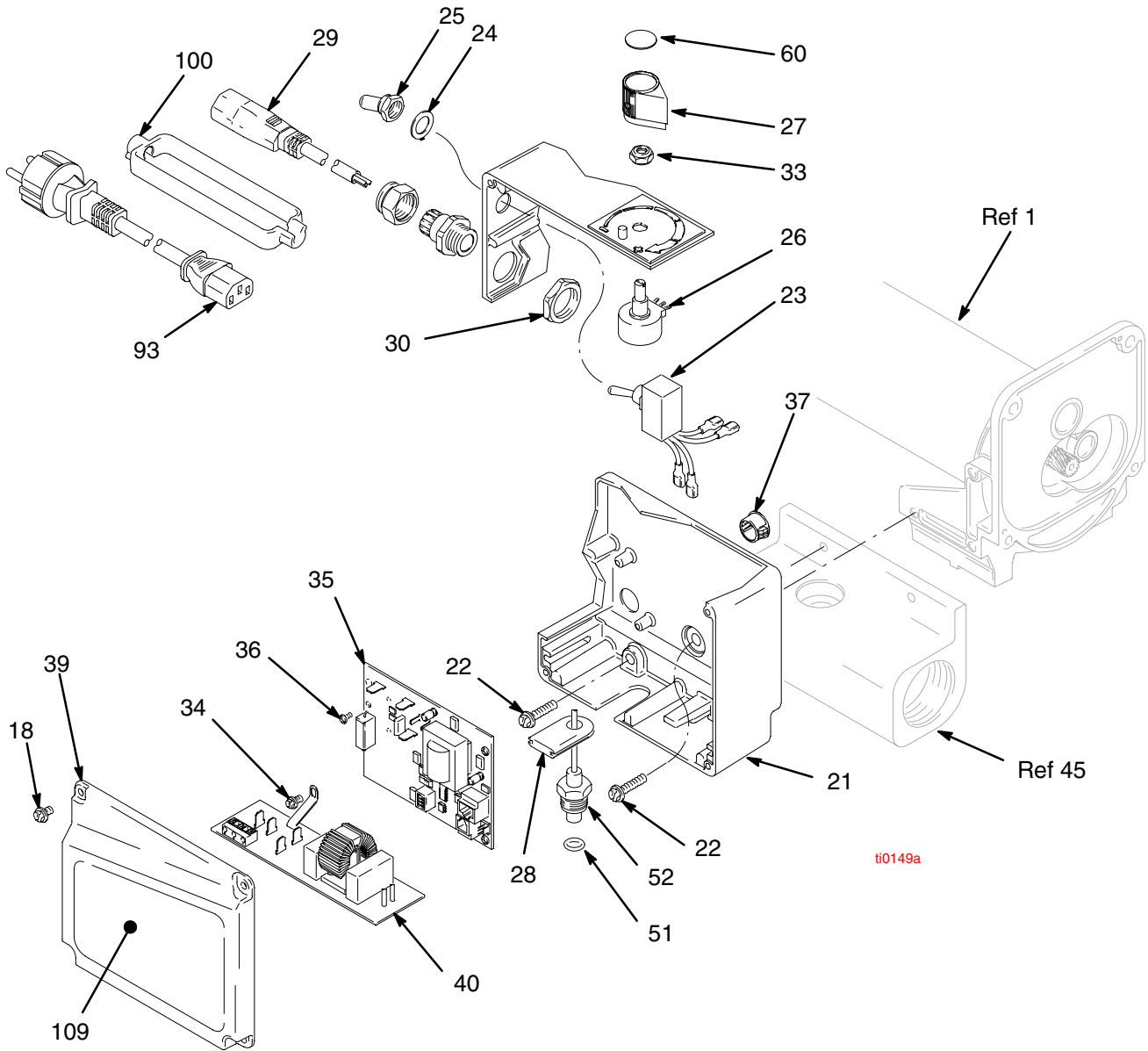
REF NO.	PART NO.	DESCRIPTION	QTY	REF NO.	PART NO.	DESCRIPTION	QTY
1	242013‡	MOTOR	1	62	162453	NIPPLE, 1/4 npt(m) x 1/4 npsm	1
2	115525	BLADE, fan motor	1	63	245221	FRAME, stand mount	1
3	243219	GEAR, combination	1	65	195177	HOLDER, suction tube	2
7	243218	CRANK SHAFT	1	67	107310	PLUG, tubing	4
9	243221	CONNECTING ROD	1	68	115506	SCREW, slot hd, hex, washer hd	1
		includes 9a and 9b		69	195425	HANDLE, sprayer	1
9a	195175	PIN, pump	1	70	100016	WASHER, lock	1
9b	195512	RETAINER, pin	1	71	116139	GRIP, handle	1
10	243220	DRIVE HOUSING	1	74	243217	SHROUD, motor	1
		includes 10a and 10b				includes 18, 126, 127	
10a	195099	COVER	1	75	195503	VENT, side	1
10b	115492	SCREW	2	77	115509	SCREW, mach, pnhd, self-drill	2
12	195150	NUT, jam, pump	1	78	244353	HOSE, suction, flexible	1
13	246426	PUMP	1	82	235004	STRAINER	1
		Manual 309053		84	244240	HOSE, drain, includes 85, 86	1
18	115492	SCREW, mach slot hex, washer hd	4	85	241920	DEFLECTOR, threaded	1
19	241926	HOSE, coupled, high pressure	1	86	276888	CLIP, spring	1
22	115495	SCREW, slot hd, hex, washer hd	8	87	114958	STRAP, tie	1
32	15E540	TEE, pipe	1	92	206994	FLUID, TSL, 8 oz	1
42	115523	GAUGE, pressure, fluid	1	112	246540	GUN, FTx-A II, 517 RAC® 5 tip	1
45	15E180	HOUSING, filter	1			Manual 309639	
46	15E288	INSERT, filter	1	113	240794	HOSE, coupled, 1/4 in. x 50 ft (15 m)	1
47	104361	O-RING	1	114	195811	LABEL, instruction	1
48	243080	FILTER, fluid, 60 mesh	1	126	195792▲	LABEL, WARNING	1
49	15E289	CAP, filter	1	127	195839▲	LABEL, DANGER	1
53	111699	GASKET, seat, valve	1	128	115491	WIPER, rod	1
55	187615	VALVE, seat	1	130	115762	SCREW	2
56	235014	ASSY, drain valve	1	131	103546	WRAP, tie	1
		includes 53 and 55		132	243645	CAPACITOR	1
57	224807	ASSY, cam, drain valve	1	133	195936	WIRE, jumper, red	1
58	111600	PIN, grooved	1	134	195937	WIRE, jumper, black	1
59	187625	HANDLE, valve, drain	1				
60	15E539	NIPPLE, 1/4 nps(m) x 1/8 npt	1				
61	157350	ADAPTER, 3/8 npt x 1/4 npt	1				

▲Extra Danger and Warning tags and labels available free.

‡ Motor Brush Kit 245894 is available

Parts Drawing – Sprayer

Series A & B

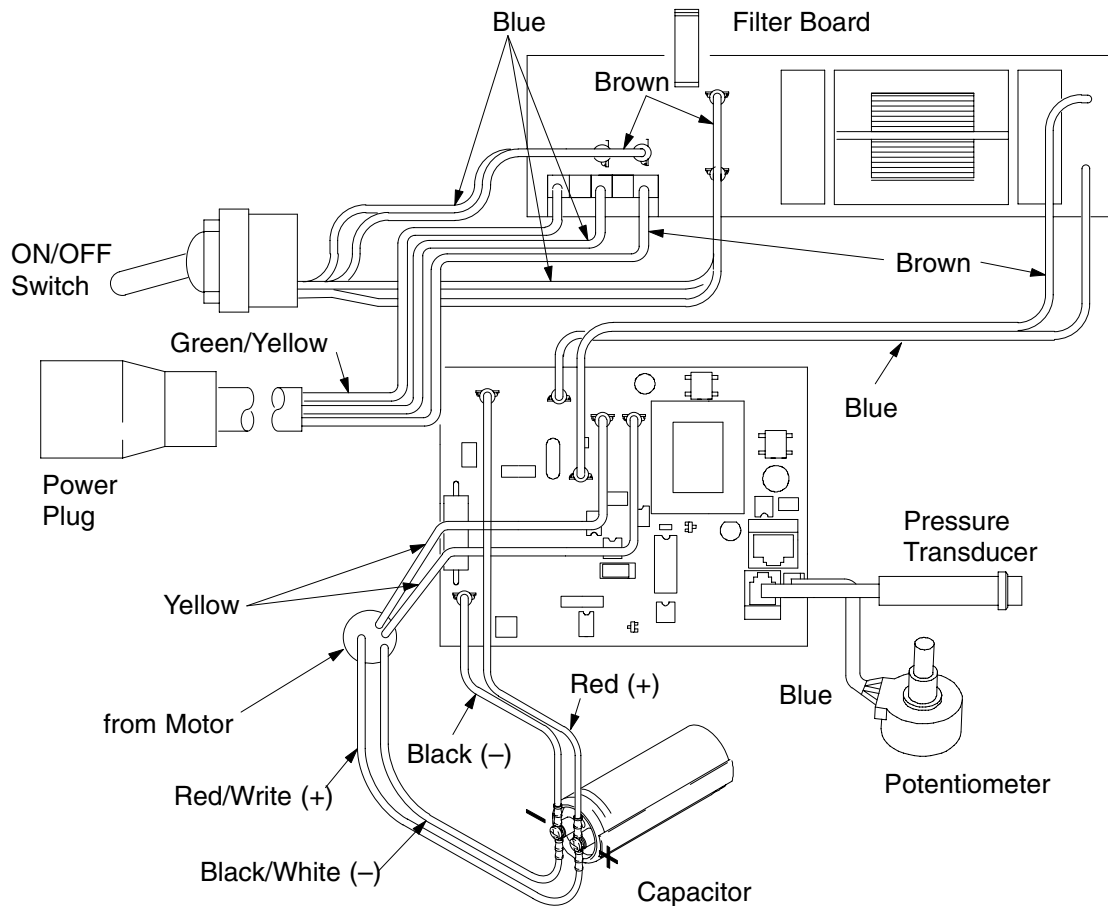


Parts List – Sprayer

Series A & B

REF NO.	PART NO.	DESCRIPTION	QTY	REF NO.	PART NO.	DESCRIPTION	QTY
18	115492	SCREW, slot hd, hex, washer hd	4	35	241991	BOARD, control	1
21	276539	HOUSING, control	1	36	115494	SCREW, 6-32 X 1/2, TAPTITE	5
22	115495	SCREW, slot hd, hex, washer hd	5	37	115756	BUSHING, strain relief	1
23	115810	SWITCH, toggle	1	39	195147	COVER, control	1
24	105658	RING, locking	1	40	241994	KIT, board, filter	1
25	195428	BOOT, toggle	1	51	111457	O-RING	1
26	236352	POTENTIOMETER, adjust, pressure	1	52	243222	TRANSDUCER, pressure control	1
27	116167	KNOB, potentiometer	1			includes 51	
28	195423	GROMMET, transducer	1	60	193072	LABEL, control	1
29	242000	CORD SET, power	1	93		CORD	1
30	114421	BUSHING, strain relief	1		242001	CEE 7/7	1
32	193072	LABEL, control	1		242005	AUSTRALIA	1
33	112382	NUT, shaft, sealing	1	100	195551	RETAINER, plug	1
34	115498	SCREW, slot hd, hex, washer hd	1	109	15B792	LABEL, cover, STX	1

Wiring Diagram



TI0151A

TO PLACE AN ORDER OR FOR SERVICE,
contact your Graco distributor, or call 1-800-690-2894 to identify the nearest distributor.

*All written and visual data contained in this document reflects the latest product information available at the time of publication.
Graco reserves the right to make changes at any time without notice.*

Sales Office: Minneapolis
International Offices: Belgium, Korea, Hong Kong, Japan

GRACO INC. P.O. BOX 1441 MINNEAPOLIS, MN 55440-1441

www.graco.com

PRINTED IN USA 309719 2/2003, Revised 11/2004