

# Parts




## TexSpray™ Mark V Airless Sprayers

310857D

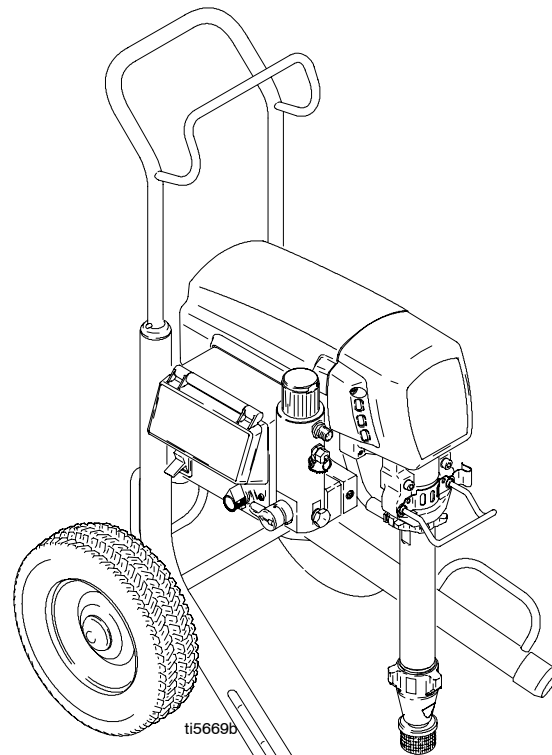
3300 psi (228 bar, 22.8 MPa) Maximum Working Pressure

120 VAC

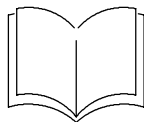
Model 249029 (Not ETL Approved)

Model 249030 

\*



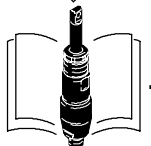
Related manuals



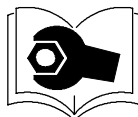
..... 309935



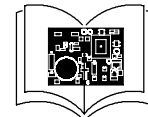
..... 308491



..... 310643



..... 309941

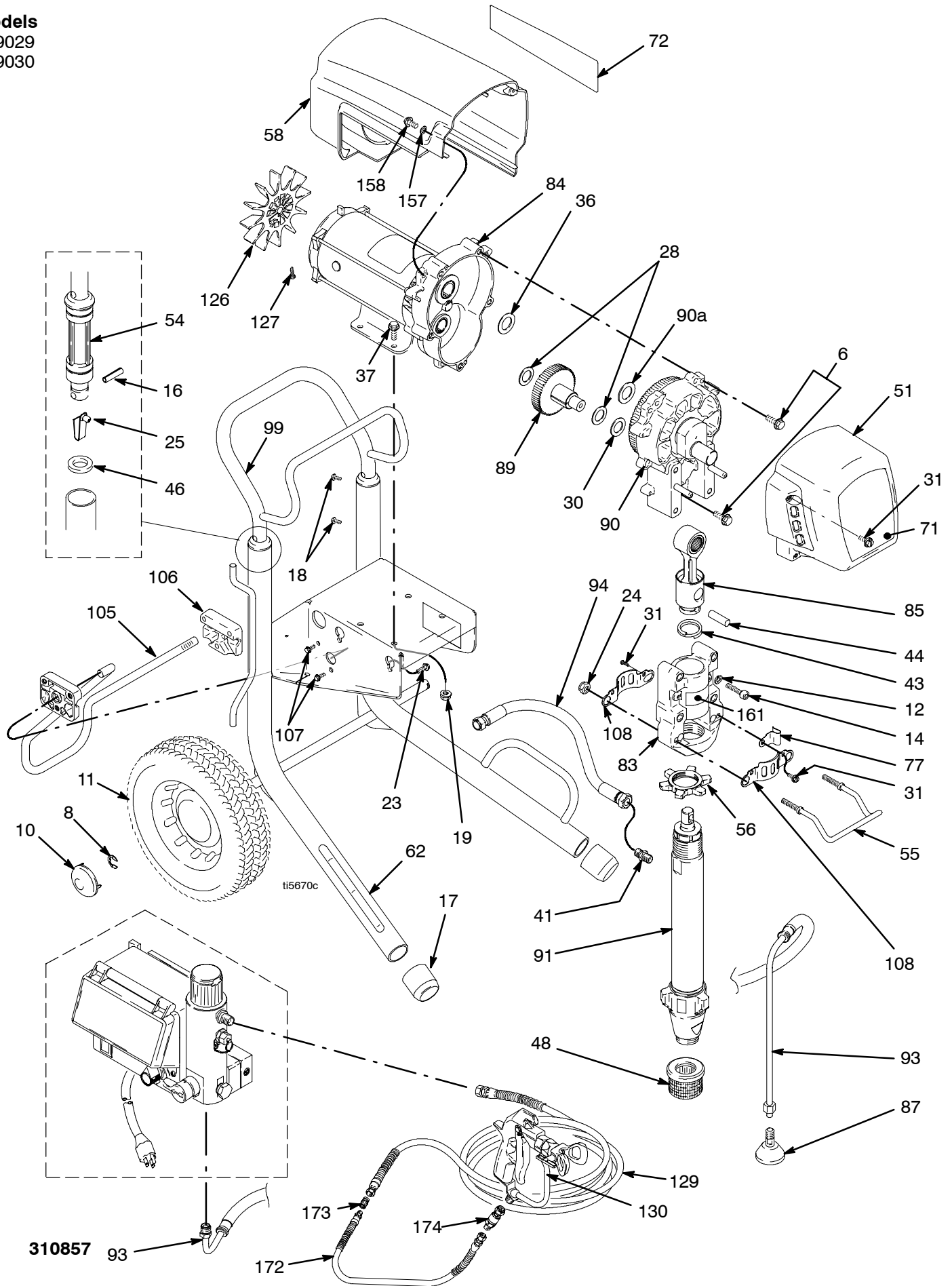


..... 309709

PROVEN QUALITY. LEADING TECHNOLOGY.

# Parts Drawing - Sprayer

**Models**  
249029  
249030



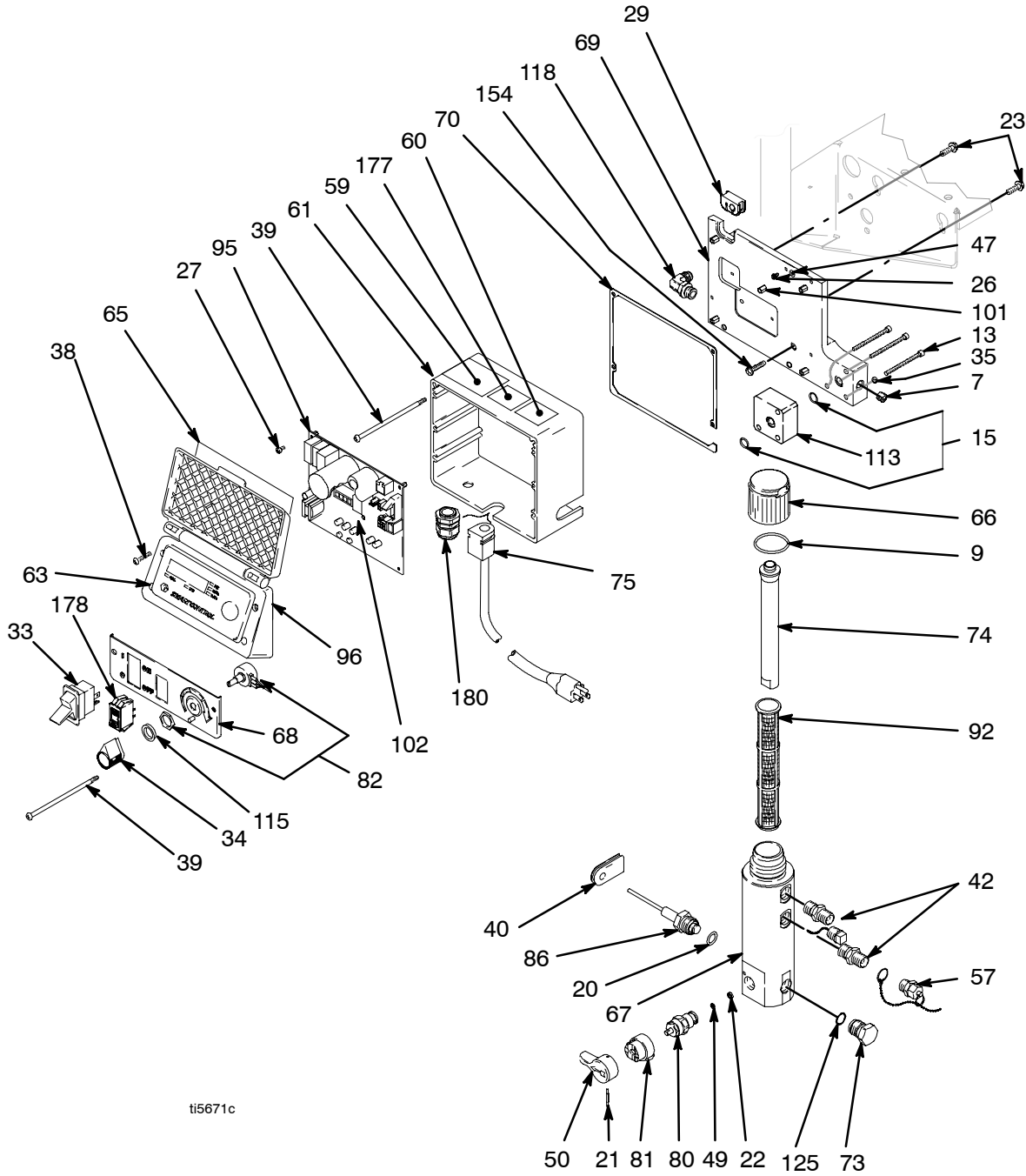
# Parts List - Sprayer

## Models 249029, 249030

Ref .	Part No.	Description	Qty	Ref	Part No.	Description	Qty
6	15C753	SCREW, mach, torx, hex wash hd	5	77	197124	CLIP, spring	1
8	101242	RING, retaining, ext.	2	79	206994	FLUID, TSL, 8 oz (not shown)	1
10	104811	CAP, hub	2	83	241015	HOUSING, bearing; includes 24, 55	1
11	179811	WHEEL, semi pneumatic	2	84	287200	MOTOR, electric; includes 126, 127	1
12	106115	WASHER, lock spring (hi-collar)	4	85	241279	ROD, connecting; includes 43	1
14	114666	SCREW, cap, socket hd	4	87	241920	DEFLECTOR, threaded	1
16	108068	PIN, spring straight	2	89	287290	GEAR, combination; includes 28, 30	1
17	276974	CAP, leg	2	90	287295	HOUSING, drive; includes 6, 36, 90a	1
18	108795	SCREW, mach, pnh	4	90a	114671	WASHER, thrust	1
19	110996	NUT, hex, flanged	4	91	249057	PUMP, displacement; Manual 310643	1
23	110963	SCREW, cap, flng hd	2				
24	112746	NUT, hex	2	93	248217	HOSE, coupled; includes 87	1
25	112827	BUTTON, snap	2	94	15F017	HOSE	1
28	114672	WASHER, thrust	2	99	245245	HANDLE, cart	1
30	114699	WASHER, thrust	1	105	15C858	HANGER, stand, cart	1
31	118444	SCREW, mach hex washer head	5	106	15C982	CAM, cart	2
36	116192	WASHER, thrust	1	107	114531	SCREW, flange, hex	4
37	100057	SCREW, hex hd	4	108	15C762	SHIELD, pump rod	1
41	117608	NIPPLE, (1/4 npsm x 1/4 npt)	1	126	15D088	FAN, motor	1
43	183169	SPRING, retaining	1	127	115477	SCREW, mach, torx pan hd	1
44	183210	PIN, str, hdls	1	128▲	222385	TAG, WARNING (not shown)	1
46	183350	WASHER	2	129	240797	HOSE, cpld, 3/8 in. x 50 ft	1
48	189920	STRAINER, (1-11 1/2 npsm)	1	130	241705	GUN, Contractor; Manual 308491	1
51	287292	COVER, drive, painted; includes 157, 158	1				
54	191084	SLEEVE, cart	2	157	276980	GROMMET	2
55	192719	HANGER, pail	1	158	119250	SCREW, shoulder	2
56	193031	NUT, retaining	1	161	187436	LABEL, torque	1
58	287282	SHIELD, mtr, painted; includes 157, 158	1	172	241735	HOSE, cpld, 1/4 in. x 3 ft	1
62	287207	FRAME, cart	1	173	159841	ADAPTER, 1/4 npt(f) x 3/8 npt(m)	1
71	15F117	LABEL, front	1	174	189018	SWIVEL, 1/4 npsm(f) x 1/4 npsm(m)	1
72	15F118	LABEL, side	1				

▲ Extra Danger and Warning tags and labels available free.

# Parts Drawing - Sprayer



ti5671c

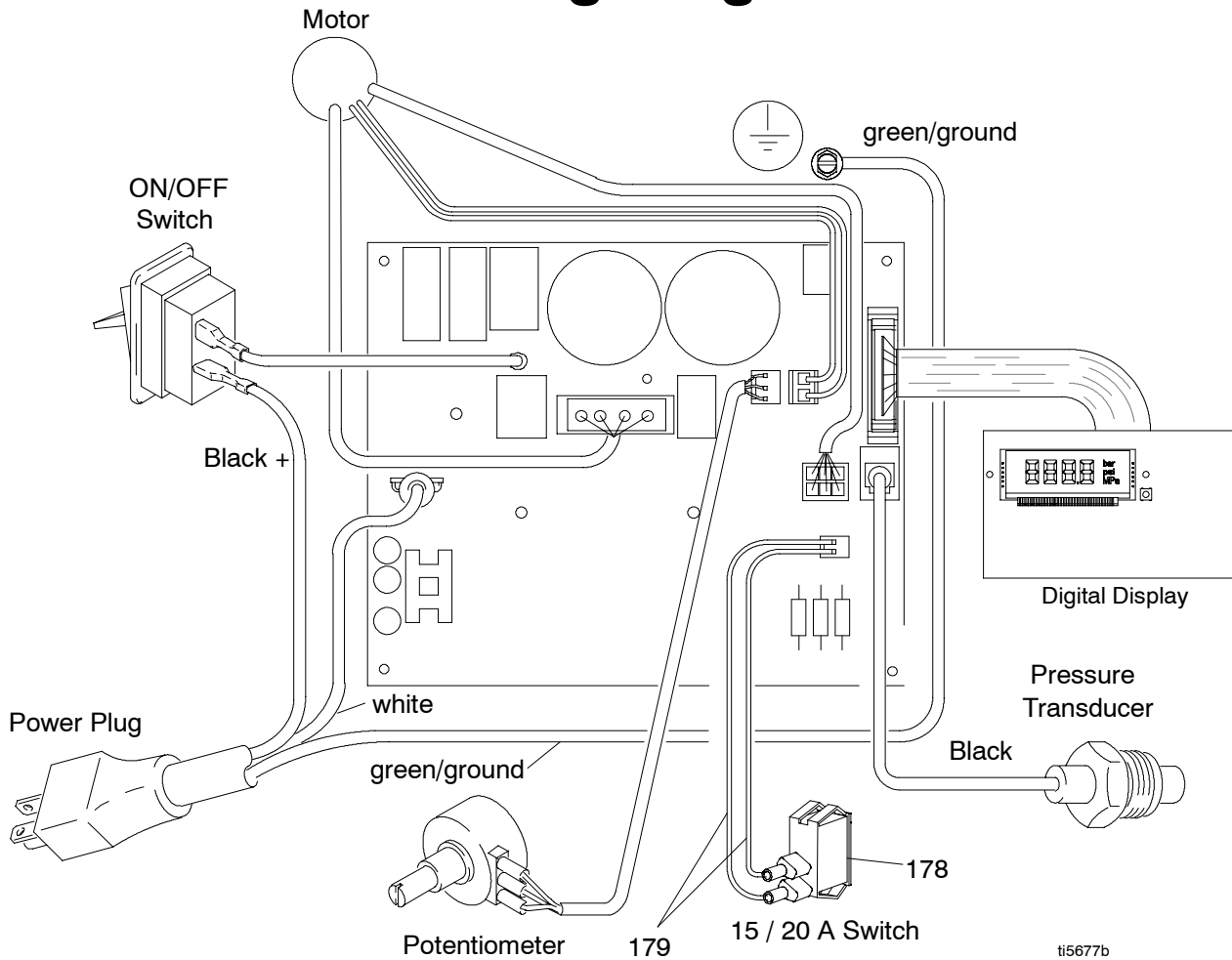
# Parts List - Sprayer

## Models 249029, 249030

Ref No.	Part No.	Description	Qty	Ref No.	Part No.	Description	Qty
7	100721	PLUG, pipe	1	73	248314	PLUG, AutoClean	1
9	117285	O-RING	1			includes 125	
13	C19817	SCREW, cap, socket hd	3	74	15C766	TUBE, diffusion	1
15	107505	O-RING	2	75		CORD, power	
20	111457	O-RING	1		15E355	Model 249029, (not ETL Approved)	1
21	15C972	PIN, grooved	1		15E357	Model 249030, ETL Approved	1
23	110963	SCREW, cap, flg hd	2	80	235014	VALVE, drain; includes 22, 49	1
26	114391	SCREW, grounding	1	81	224807	BASE, valve	1
27	113045	SCREW, sems, mach, phil truss	5	82	236352	POTENTIOMETR, adj, pressure	1
29	15D087	GROMMET	1	86	243222	TRANSDUCER, press ctrl; includes 20	1
33	15C979	SWITCH, rocker	1	92		FILTER, fluid	
34	116167	KNOB, potentiometer	1		244071	30 mesh, grey	1
35	105510	WASHER, lock, spring (hi-collar)	3		244067	60 mesh, black	1
38	116252	SCREW, #8 taptite phil	4		244068	100 mesh, blue	1
39	112381	SCREW, mach, pan hd	4		244069	200 mesh, red	1
40	15D033	GROMMET, transducer	1	95	287247	CONTROL, bd, 120V; includes 27, 102	1
42	162485	ADAPTER	2	96	287286	COVER, control, includes 38, 63, 65	1
47	186620	LABEL, symbol, ground	1	101	15D160	STUD, board	5
50	15C780	HANDLE, valve, drain	1	102	114420	SCREW, mach, pnh, sems	3
57	240987	STEM, plug, packless	1	113	15F844	SPACER, filter, base	1
59▲	15D523	LABEL, DANGER	1	115	15C973	GASKET	1
60▲	195833	LABEL, WARNING	1	118	116793	FITTING, elbow, hydraulic	1
61	15E462	BOX, control	1	125	15D541	GASKET	1
63	198648	LABEL, LCD	1	154	115478	SCREW, Torx, pan hd	1
65	15D609	LABEL, cover, control box	1	177▲	198278	LABEL, warning	1
66	287285	CAP, filter; includes 9, 74	1	178	116099	SWITCH, 15A/20A	1
67	15C838	BASE, filter	1	179	15E390	CONNECTOR	1
68	15E354	PANEL, control	1	180	116171	BUSHING	1
69	15C840	PLATE, power bar	1				
70	15D036	GASKET, control box	1				

▲ Extra Danger and Warning tags and labels available free.

# Wiring Diagram



ti5677b

**TO PLACE AN ORDER OR FOR SERVICE**, contact your Graco distributor, or call this number to identify the distributor near you: **1-800-690-2894 Toll Free**

*All written and visual data contained in this document reflects the latest product information available at the time of publication. Graco reserves the right to make changes at any time without notice.*

**Sales Offices:** Minneapolis

**International Offices:** Belgium, China, Japan, Korea

**GRACO INC. P.O. BOX 1441 MINNEAPOLIS, MN 55440-1441**

**<http://www.graco.com>**

PRINTED IN USA 310857

9/2004 Revised 9/2008