




Parts List



Ultra[®] Max II

311363M
EN

3300 psi (228 bar, 22.8 MPa) Maximum Working Pressure

Vac	Model	Hi-Boy
240 Europe 	695	24M693
	795	24M696 253419
	795 Plus	24M699
	1095	24M700
240 Europe Multi-cord 	695	24M694
	795	24M697 253420
	1095	24M701
240 Asia	695	249681
	795	249683
	1095	249684
240 Australia/New Zealand (ANZ) 	695	249685
	795	249687
	1095	249688



Important Safety Instructions

Read all warnings and instructions in operations manual. Save these instructions.

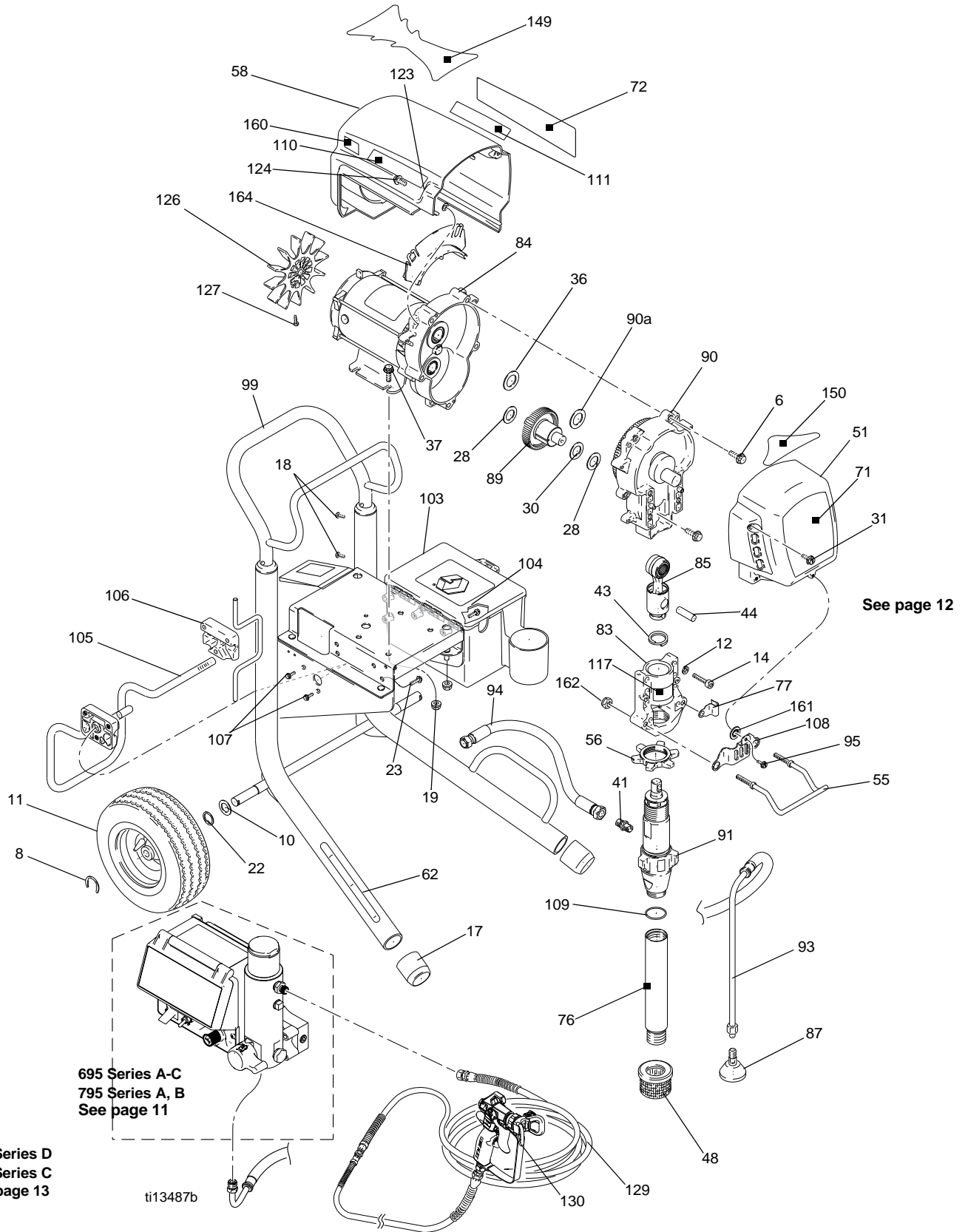
Parts List: Ultra Max II 695/795 Hi-Boy

Ref.	Part No.	Description	Qty	Ref.	Part No.	Description	Qty
6	15C753	SCREW, mach, torx, hex	5	90		HOUSING, drive, M1; <i>includes 6, 36, 90a</i>	1
8	15E891	CLIP, retaining	2		287283	695	
10	156306	WASHER, flat	2		287284	795	
11*	119420	WHEEL, pneumatic	2	90a	107089	WASHER, thrust	1
12	106115	WASH, lock, spring	4	91	248204	PUMP, displacement 695/795; <i>includes 109, Manual 310643</i>	1
14	107210	SCREW, cap, socket hd	4	93	244240	HOSE, coupled; <i>includes 87</i>	1
17	15C871	CAP, leg	2	94	15D049	HOSE, coupled, 1/4 x 15.75	1
18	109032	SCREW, mach, pnh	4	95	114000	SCREW, control housing	1
19	112746	NUT, lock, nylon, thin	8	99	287489	HANDLE, assy, hi cart	1
22	116038	WASHER, wave spring	2	103	287253	TOOLBOX; includes 104	1
23	110963	SCREW, cap, flng hd	2	104	118852	SCREW, hex washer hd	3
28	114672	WASHER, thrust	2	105	15D281	HANGER, stand, cart	1
30	114699	WASHER, thrust	1	106	15C982	CAM, cart	2
31	118444	SCREW, machine, hex washer hd	4	107	114531	SCREW, mach, hex washer	4
36	116191	WASHER, thrust	1	108	15C859	SHIELD, pump rod	1
37	100057	SCREW, cap, hex hd	4	109	118494	PACKING, o-ring	1
41	162453	FITTING, (1/4 NPSM x 1/4 NPT)	1	110	16D585	LABEL, premium, sides	2
43	176817	SPRING, retaining	1	117	187436	LABEL, torque	1
44	176818	PIN, str, hdls	1	123	276980	GROMMET, cover	2
48	189920	STRAINER, (1-11 1/2 NPSM)	1	124	119250	SCREW, shoulder, hex, washer	2
51	287291	COVER, drive, plastic, painted; <i>includes 31, 95</i>	1	126	15D088	FAN, motor	1
55	16C457	HANGER, pail	1	127	115477	SCREW, mach, torx, pan, hd	1
56	192723	NUT, retaining	1	128▲	222385	TAG, WARNING (not shown)	1
58		SHIELD, motor, painted; <i>includes 123, 124</i>	1	129	240794	HOSE, cpld, 1/4 in. x 50 ft	1
	287281	695		130		GUN (Manual 309639)	1
	287282	795			288475	Europe	
62	288605	FRAME, cart	1		246220	ANZ	
71		LABEL, UltraMax II 695/795	1		288427	Asia	
	15K374	695		149	15T569	LABEL, shroud top	1
	15D068	795		150	15T570	LABEL, crown	1
	15T428	795 Plus	1	160	15Y118	LABEL, Made In The USA	1
72		LABEL, UltraMax II 695/795	1	161	124172	WASHER, retaining, nylon 10-32	1
	15K381	695		162	112746	NUT, hex	2
	15D069	795		163	288899	SHELF, PEM, assy	1
	15T429	795 Plus		164	278075	BAFFLE	1
76	248214	TUBE, intake; <i>includes 109</i>	1	170▲	243301	LABEL, set, stpro, int'l	1
77	278204	CLIP, drain line	1	172	238358	HOSE, cpld, 3/16 in. x 3 ft	1
83	240523	HOUSING, bearing; <i>includes 55, 162</i>	1				
84		MOTOR, electric	1				
	257185	695					
	257186	795					
85	241008	ROD, connecting; <i>includes 43</i>	1				
87	241920	DEFLECTOR, threaded	1				
89	287289	GEAR, combination; <i>includes 28, 30</i>	1				

* 253132 KIT, repair, tube, 11 in.

▲ Extra Danger & Warning tags & labels available free.

Parts Drawing: 695/795 Hi-Boy



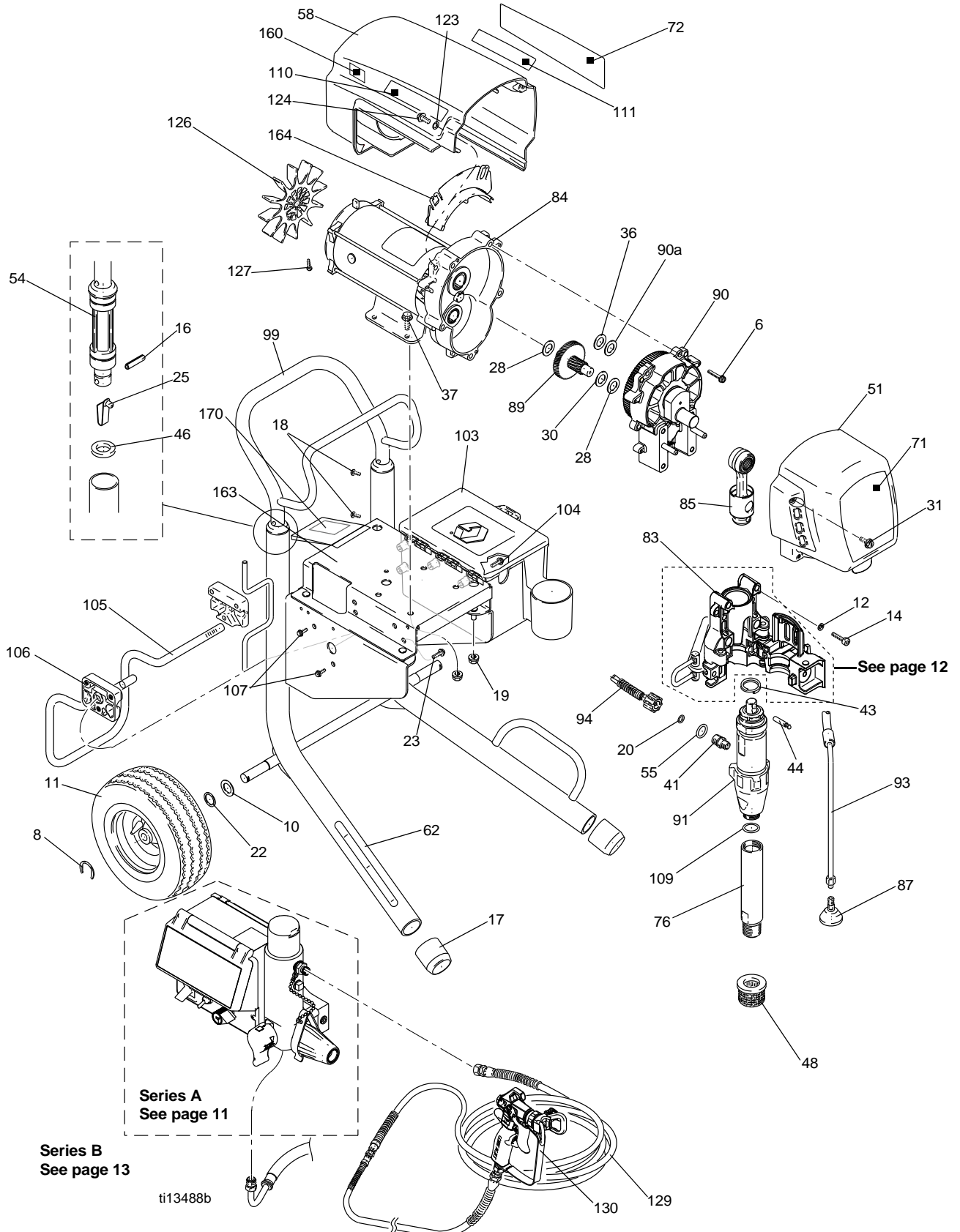
Parts List: UltraMax II 1095

Ref.	Part No.	Description	Qty	Ref.	Part No.	Description	Qty
6	15C753	SCREW, mach, torx, hex	5	89	287290	GEAR, combination; <i>includes 28, 30</i>	1
8	15E891	CLIP, retaining	2	90	287295	HOUSING, drive, M1; <i>includes 6, 36, 90a</i>	1
10	156306	WASHER, flat	2	90a	114671	WASHER, thrust	1
11*	119509	WHEEL, pneumatic	2	91	287513	PUMP, displacement; <i>includes 41, 76, 109, Manual 310894</i>	1
12	106115	WASH, lock, spring	4	93	287952	HOSE, drain; <i>includes 87</i>	1
14	114666	SCREW, cap, socket hd	4	94	287803	HOSE, coupled	1
16	101354	PIN, spring, straight	2	99	245245	HANDLE, cart	1
17	276974	CAP, leg	2	103	287253	TOOLBOX; <i>includes 104</i>	1
18	108795	SCREW, mach, pnh	4	104	118852	SCREW, hex washer hd	3
19	110838	NUT, lock	8	105	15C858	HANGER, stand, cart	1
22	116038	WASHER, wave spring	2	106	15C982	CAM, cart	2
23	110963	SCREW, cap, flng hd	2	107	114531	SCREW, mach, hex washer	4
25	112827	BUTTON, snap	2	109	118494	PACKING, o-ring	1
28	114672	WASHER, thrust	2	110	16D585	LABEL, premium, sides	2
30	114699	WASHER, thrust	1	123	276980	GROMMET, cover	2
31	118444	SCREW, machine, hex washer hd	4	124	119250	SCREW, shoulder, hex, washer	3
36	116192	WASHER, thrust	1	126	15D088	FAN, motor	1
37	100057	SCREW, cap, hex hd	4	127	115477	SCREW, mach, torx, pan, hd	1
41	15E802	FITTING, pump, quick disc	1	128▲	222385	TAG, WARNING (not shown)	1
43	119778	SPRING, retaining	1	129	240794	HOSE, cpld, 1/4 in. x 50 ft	1
44	15F110	PIN, pump	1	130		GUN Manual 309639	1
46	183350	WASHER	2		288475	Europe	
48	189920	STRAINER, (1-11 1/2 NPSM)	1		246220	ANZ	
51	287292	COVER, drive, plastic, painted; <i>includes 31</i>	1		288427	Asia	
54	187604	SLEEVE, cart	2	160	15Y118	LABEL, Made In The USA	1
55	119790	PACKING, o-ring	1	163	288899	SHELF, PEM, assy	1
58	287282	SHIELD, motor, painted; <i>includes 123, 124</i>	1	164	278075	BAFFLE	1
62	288663	FRAME, cart 1095	1	170▲	243301	LABEL, set, stpro, int'l	1
71	15D071	LABEL, UltraMax II 1095	1	172	238358	HOSE, cpld, 3/16 in. x 3 ft	1
72	15D072	LABEL, UltraMax II 1095	1				
76	248215	TUBE, intake; <i>includes 109</i>	1				
83	287933	HOUSING, bearing	1				
84	257187	MOTOR, electric; <i>includes 126, 127</i>	1				
85	287472	ROD, connecting; <i>includes 43, 44</i>	1				
87	241920	DEFLECTOR, threaded	1				

* 253131 KIT, repair, tube, 13 in.

▲ Extra Danger & Warning tags & labels available free.

Parts Drawing: UltraMax II 1095



Parts List - Sprayer

**UltraMax II: 695 Hi-Boy;
795 Hi-Boy; 1095
(Models with SIX large capacitors on control board)**

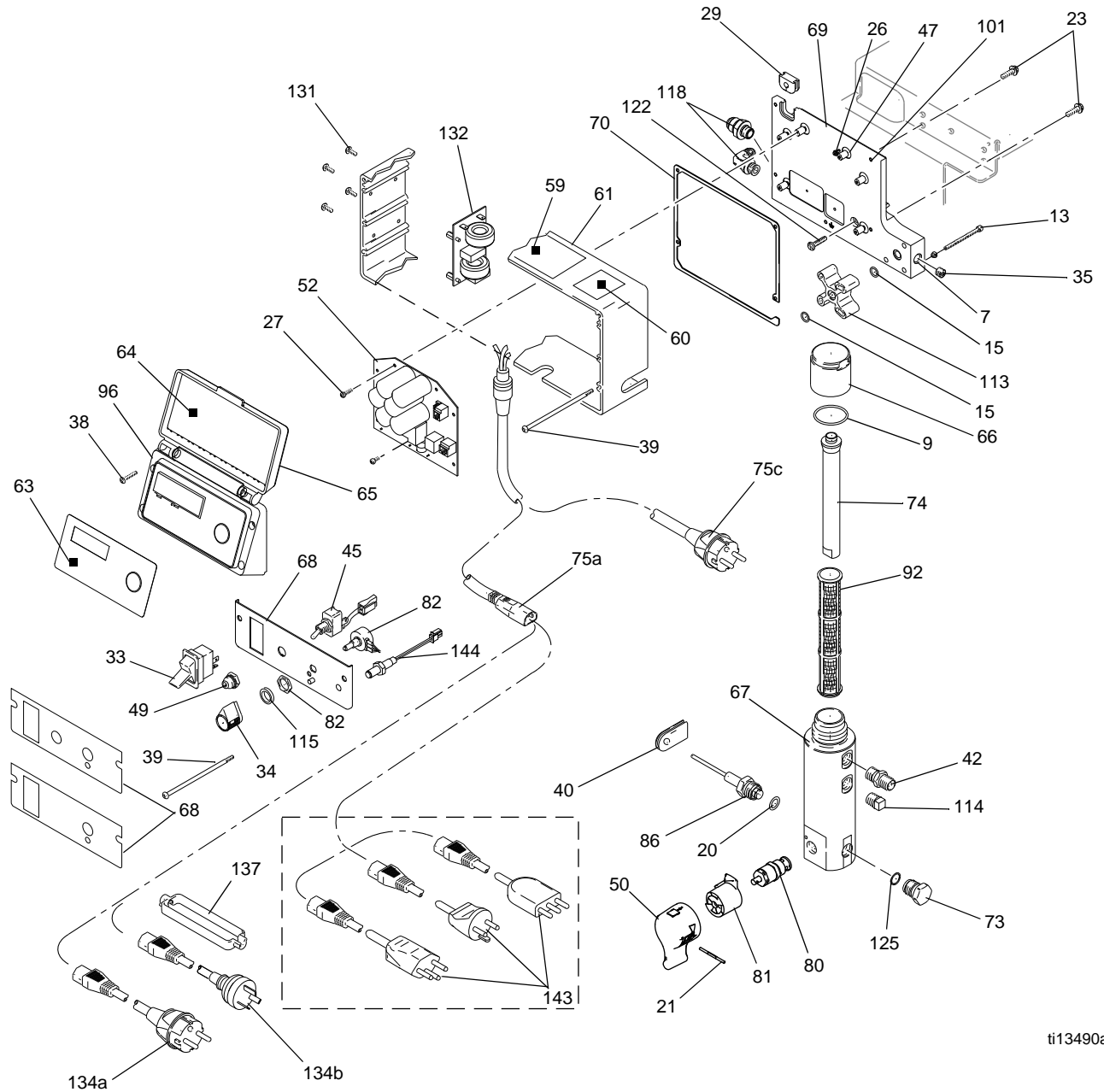
Ref.	Part No.	Description	Qty	Ref.	Part No.	Description	Qty
7	100721	PLUG, pipe	1	75a	15D529	Europe Multicord, Asia & ANZ	
9	117285	PACKING, o-ring	1	75c	15D528	Europe CEE/7	
13	C19817	SCREW, cap, socket	3	80	24A381	VALVE, prime	1
15	107505	PACKING, o-ring	2	81*		BASE, valve	1
20	111457	PACKING, o-ring	2	82	256219	POTENTIOMETER, adjustment	1
21*	15C972	PIN, grooved	1	86	243222	TRANSDUCER, pressure control; <i>includes 20</i>	1
23	110963	SCREW, cap, flng	2	92		FILTER, fluid	1
26	114391	SCREW, grounding	1		244071	30 mesh	
27	113045	SCREW, sems, mach, phillips	6		244067	60 mesh, original equipment	
29	15V996	GROMMET	1		244068	100 mesh	
33	15D527	SWITCH, rocker	1		244069	200 mesh	
34	116167	KNOB, potentiometer	1	96	287286	COVER, control, ultra; <i>includes 38,</i> <i>63, 64, 65</i>	1
35	105510	WASHER, lock, spring	3	101	15V938	STUD, board	6
38	116252	SCREW, #10 taptite phillips	4	102	114420	SCREW, mach, pmh, sems	2
39	112381	SCREW, mach, pan hd	4	113	15F844	SPACER, manifold	1
40	15D033	GROMMET, transducer	1	114	104813	PLUG, pipe	1
42	164672	NIPPLE, adapter 695, 795, 1095	1	115	15C973	GASKET	1
45	119541	SWITCH, toggle	1	118	116793	FITTING, elbow, hydraulic; 695, 795, 1095	1
47	186620	LABEL, symbol, ground	1	122	115478	SCREW, mach torx/slt	1
49	195428	BOOT, toggle	1	125	15D541	SEAL, washer	1
50*		HANDLE	1	131	119228	SCREW, mach flat hd	4
52	257449	CONTROL, board; <i>includes 27, 102</i>	1	132	257905	FILTER, board	1
59▲	243301	LABEL, warning	1	134		CORD SET, ADAPTER	1
60▲	195793	LABEL, warning	1	134a	242001	Europe Multicord and Asia	1
61	15D431	BOX, control	1	134b	242005	ANZ	
63	198648	LABEL, LCD	1	137	195551	RETAINER, PLUG, ADAPTER, Europe Multicord, Asia & ANZ	1
64	15D063	LABEL, instruction	1	143	287121	CORD SET, Italy, Denmark, Switzerland	1
65	15D609	LABEL, ctrl, box cover	1	144	258644	Reed Switch	1
66	287285	CAP, filter; <i>includes 9, 74</i>	1				
67	15C838	BASE, filter	1				
68		PANEL, control	1				
	15X617	695, 795, 1095, panel, control					
	15X620	695, 795, 1095, Label					
69	15V937	PLATE, power bar	1				
70	15D036	GASKET, control box	1				
73	248314	PLUG, Autoclean standard; <i>includes 125</i>	1				
74	15C766	TUBE, diffusion	1				
75		CORD, power	1				

▲ *Extra Danger and Warning tags and labels available free.*

* *24E233 Kit, handle, FastFlush is available (includes 21, 50, 81)*

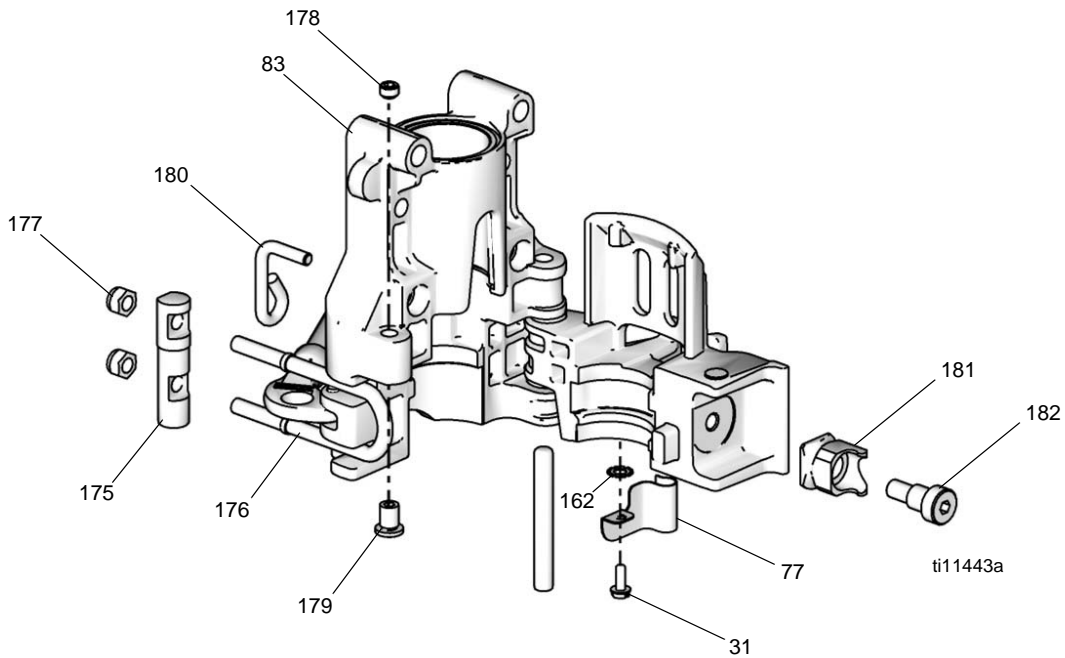
Parts Drawing - Sprayer

UltraMax II: 695 Hi-Boy;
795 Hi-Boy; 1095
(Models with SIX large capacitors on control board)



ti13490a

Parts Drawing - Bearing Housing

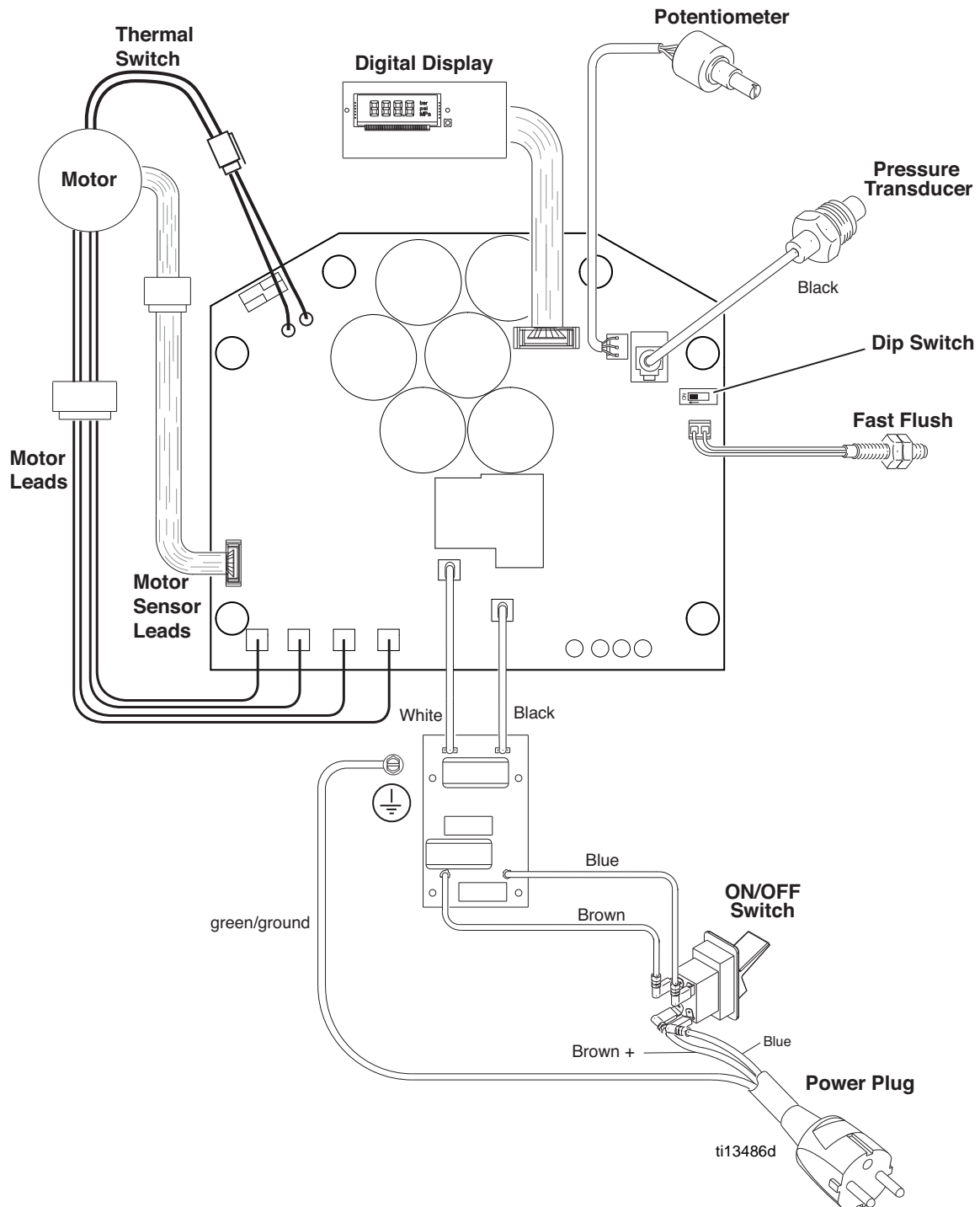


Parts List - Bearing Housing

Ref.	Part	Description	Qty	Ref.	Part	Description	Qty
83	240523	HOUSING, bearing (695/795)	1	177		NUT, lock hex	
	287933	KIT, bearing housing	1		102040	695	2
31	119250	SCREW, shoulder	1		111040	795/1095	2
77	278204	CLIP, drain line	1	178	15F503	SCREW, set, socket hd	1
162	100985	WASHER, lock ext	1	179	15F498	SCREW, adjustment	1
175		PIN, housing, bearing		180	15F116	LATCH	1
	15E779	695	1	181	15G840	RECEIVER, latch (695)	1
	15E625	795/1095	1		15G584	RECEIVER, latch	1
176		LATCH, housing, bearing				(795/1095)	
	15G930	695	1	182	108859	SCREW, shoulder, sch (695)	1
	15G890	795/1095	1		116942	SCREW, shoulder, sch (795/1095)	1

Wiring Diagram

UltraMax II: 695 Hi-Boy;
795 Hi-Boy; 1095
(Models with SIX large capacitors on control board)



Graco Standard Warranty

Graco warrants all equipment referenced in this document which is manufactured by Graco and bearing its name to be free from defects in material and workmanship on the date of sale to the original purchaser for use. With the exception of any special, extended, or limited warranty published by Graco, Graco will, for a period of twelve months from the date of sale, repair or replace any part of the equipment determined by Graco to be defective. This warranty applies only when the equipment is installed, operated and maintained in accordance with Graco's written recommendations.

This warranty does not cover, and Graco shall not be liable for general wear and tear, or any malfunction, damage or wear caused by faulty installation, misapplication, abrasion, corrosion, inadequate or improper maintenance, negligence, accident, tampering, or substitution of non-Graco component parts. Nor shall Graco be liable for malfunction, damage or wear caused by the incompatibility of Graco equipment with structures, accessories, equipment or materials not supplied by Graco, or the improper design, manufacture, installation, operation or maintenance of structures, accessories, equipment or materials not supplied by Graco.

This warranty is conditioned upon the prepaid return of the equipment claimed to be defective to an authorized Graco distributor for verification of the claimed defect. If the claimed defect is verified, Graco will repair or replace free of charge any defective parts. The equipment will be returned to the original purchaser transportation prepaid. If inspection of the equipment does not disclose any defect in material or workmanship, repairs will be made at a reasonable charge, which charges may include the costs of parts, labor, and transportation.

THIS WARRANTY IS EXCLUSIVE, AND IS IN LIEU OF ANY OTHER WARRANTIES, EXPRESS OR IMPLIED, INCLUDING BUT NOT LIMITED TO WARRANTY OF MERCHANTABILITY OR WARRANTY OF FITNESS FOR A PARTICULAR PURPOSE.

Graco's sole obligation and buyer's sole remedy for any breach of warranty shall be as set forth above. The buyer agrees that no other remedy (including, but not limited to, incidental or consequential damages for lost profits, lost sales, injury to person or property, or any other incidental or consequential loss) shall be available. Any action for breach of warranty must be brought within two (2) years of the date of sale.

GRACO MAKES NO WARRANTY, AND DISCLAIMS ALL IMPLIED WARRANTIES OF MERCHANTABILITY AND FITNESS FOR A PARTICULAR PURPOSE, IN CONNECTION WITH ACCESSORIES, EQUIPMENT, MATERIALS OR COMPONENTS SOLD BUT NOT MANUFACTURED BY GRACO. These items sold, but not manufactured by Graco (such as electric motors, switches, hose, etc.), are subject to the warranty, if any, of their manufacturer. Graco will provide purchaser with reasonable assistance in making any claim for breach of these warranties.

In no event will Graco be liable for indirect, incidental, special or consequential damages resulting from Graco supplying equipment hereunder, or the furnishing, performance, or use of any products or other goods sold hereto, whether due to a breach of contract, breach of warranty, the negligence of Graco, or otherwise.

FOR GRACO CANADA CUSTOMERS

The Parties acknowledge that they have required that the present document, as well as all documents, notices and legal proceedings entered into, given or instituted pursuant hereto or relating directly or indirectly hereto, be drawn up in English. Les parties reconnaissent avoir convenu que la rédaction du présente document sera en Anglais, ainsi que tous documents, avis et procédures judiciaires exécutés, donnés ou intentés, à la suite de ou en rapport, directement ou indirectement, avec les procédures concernées.

Graco Information

For the latest information about Graco products, visit www.graco.com.

TO PLACE AN ORDER, contact your Graco distributor or call 1-800-690-2894 to identify the nearest distributor.

*All written and visual data contained in this document reflects the latest product information available at the time of publication.
Graco reserves the right to make changes at any time without notice.*

Original instructions. This manual contains English. MM 311363

Graco Headquarters: Minneapolis
International Offices: Belgium, China, Japan, Korea

GRACO INC. AND SUBSIDIARIES • P.O. BOX 1441 • MINNEAPOLIS MN 55440-1441 • USA

Copyright 2005, Graco Inc. All Graco manufacturing locations are registered to ISO 9001.

www.graco.com
Revised 04/2016