

# Hose Reel Swivel Kit and Swivel Seal Kit

313432D  
EN

*- Swivel and Swivel Seal Replacement Instructions -*



**Important Safety Instructions**

Read all warnings and instructions in this manual. Save these instructions. For complete Warnings and instructions, see instruction manual 312431.

**Swivel Kits**

Description	Series A SD Models		All Other Series SD Models		All Other Series XD Models	
	NPT Thread	BSP Thread	NPT Thread	BSP Thread	NPT Thread	BSP Thread
Low & Medium Pressure Swivel Kit	24Z552	24Z555	24Z553	24Z556	24Z554	24Z557
High Pressure Swivel Kit	26A155	26A156	26A155	26A156	26A153	26A154

**Swivel Seal Kits:**

24A952 - For Low & Medium Pressure Hose Reels: 24A952  
 24A953 - For High Pressure, Single Pedestal (SD) Hose Reels





**Hose Seal Kit:**

24M713 - For BSPP

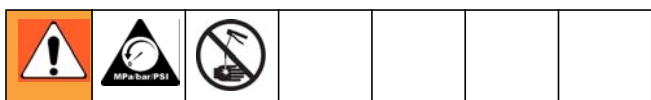
**NOTE:**

- Swivel Kits include **all** parts necessary to replace the swivel assembly, including the seals which are also provided in Swivel Seal Kits 24A952 or 24A953.
- If only the swivel seals require replacement, use Swivel Seal Kit 24A952 or 24A953.
- Swivel Seal Kits are not available for High Pressure, Dual Pedestal (XD) Reels. If replacement is required, Swivel Kit 26A153 or 26A154 should be used.

# Warnings

 <b>WARNING</b>						
  	<b>SKIN INJECTION HAZARD</b> High-pressure fluid from dispense device, hose leaks, or ruptured components will pierce skin. This may look like just a cut, but it is a serious injury that can result in amputation. <b>Get immediate surgical treatment.</b>					
	<ul style="list-style-type: none"> <li>Do not point dispense device at anyone or at any part of the body.</li> <li>Do not put your hand over the end of the dispense outlet.</li> <li>Do not stop or deflect leaks with your hand, body, glove, or rag.</li> <li>Follow <b>Pressure Relief Procedure</b> in this manual, when you stop dispensing and before cleaning, checking, or servicing equipment.</li> </ul>					

## Pressure Relief Procedure

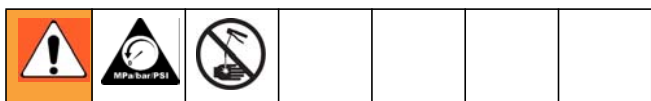


1. Close the supply pump's bleed-type master air valve (required for pneumatic systems).
2. Open the dispensing valve until pressure is fully relieved.
3. Open the fluid valve at the pump fluid outlet. Leave the drain valve open until you are ready to use the system again.


*If you suspect that the dispensing valve, extension, or grease fitting coupler is clogged, or that pressure has not been fully relieved after you have followed the steps above, **very slowly** loosen the coupler or hose end coupling to relieve the pressure gradually, then loosen it completely. Then clear the clog.*

## Instructions

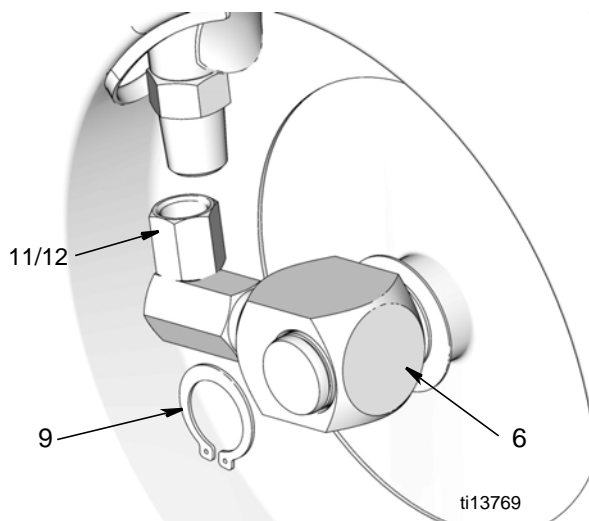
### HR & HP Models (LD & SD Series, single pedestal)



1. **Relieve the pressure.**
2. Decrease spring tension by removing loops of hose from the reel.

						
<ul style="list-style-type: none"> <li>• Never allow the reel to spin freely. Doing so causes the reel to spin out of control, which could cause serious injury if you are hit by a tool or the hose.</li> <li>• Reel must be bolted securely in place when making adjustments.</li> </ul>						

**Refer to FIG. 1 for steps 3 - 10 (unless otherwise indicated).**




**FIG. 1**

3. Disconnect hose from elbow (11/12).
4. Remove retaining ring (9) and elbow (6).
5. Disassemble the swivel parts as shown for your model on page 6.
6. Clean the parts and inspect them for wear or damage.

7. Grease all parts and lubricate the cavity of the swivel assembly with high-quality grease.
8. Assemble the parts in the order shown for your model on page 6 and install swivel assembly in hose reel.
9. Install elbow (6) and retaining ring (9) to hold assembly in place.
10. Connect hose to elbow (11/12).
11. Tighten spring tension.

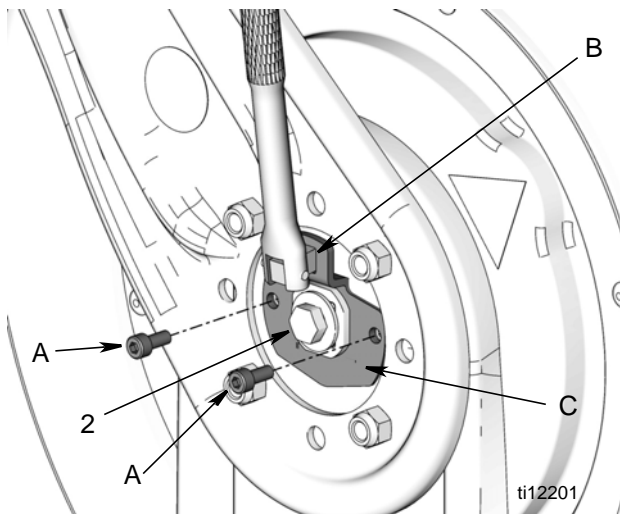
### HS Models (XD Series, dual pedestal)

1. **Relieve the pressure, page 2.**
2. Decrease spring tension.

						
<ul style="list-style-type: none"> <li>• Never allow the reel to spin freely. Doing so causes the reel to spin out of control, which could cause serious injury if you are hit by a tool or the hose.</li> <li>• Reel must be bolted securely in place when making adjustments.</li> </ul>						

**Refer to FIG. 2, for steps a - h.**

- a. Loosen screw (2) 3-5 turns. Do not completely remove it.
- b. Use a hex wrench to loosen, the two screws (A). Do not completely remove them.
- c. Insert a 3/8" square drive breaker bar in opening (B) on the spring adjustment plate (C).
- d. While holding the breaker bar securely, completely remove the two screws (A).
- e. Firmly grasp the breaker bar with both hands and turn it counter-clockwise one turn at a time until spring tension is reduced to zero.



**FIG. 2**

Refer to FIG. 3 for steps 3 - 17 (unless otherwise indicated).

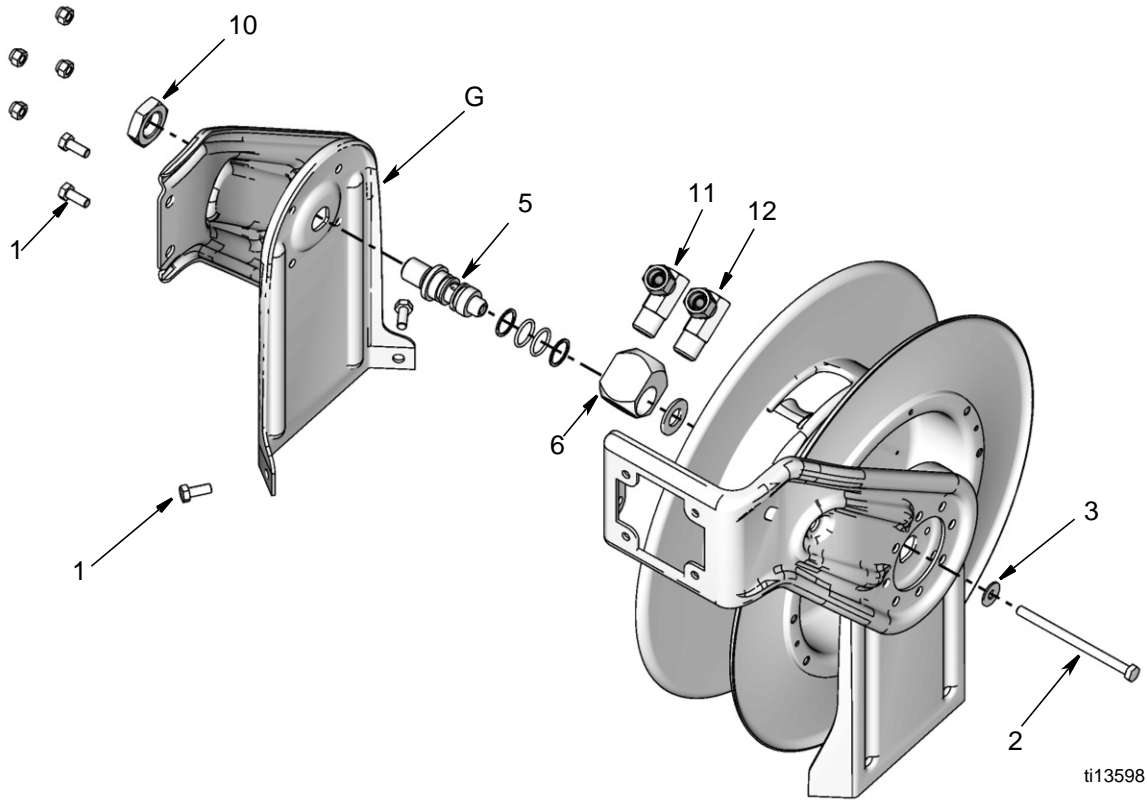


FIG. 3

3. Remove screw (2) and washer (3).
4. Remove screws (1) and nut (10).
5. Disconnect hose (not shown) from elbow (11 / 12).
6. Lay reel down on a flat work surface.
7. Remove swivel-side pedestal (G).
8. Remove swivel assembly.

**Low and Medium Pressure Reels Only (High Pressure Reels, go to Step 13)**

9. Disassemble the parts as shown for your model on page 6.
10. Clean the parts and inspect them for wear or damage.
11. Grease all parts and lubricate the cavity of the swivel assembly with high-quality grease.
12. Assemble parts in order shown for your model on page 6

**All Reels**

13. Install swivel assembly in hose reel.

Note shape (a) of swivel assembly end shown in FIG. 4 and the correct alignment of swivel to the key hole in the pedestal. For the hose reel to operated correctly, these parts must be aligned correctly.

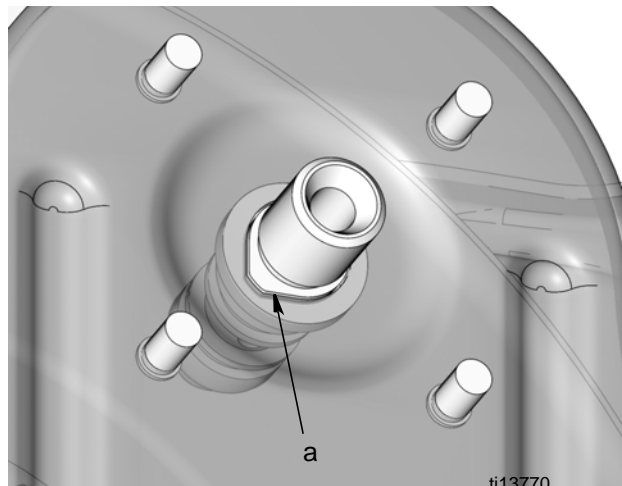


FIG. 4

14. Install swivel-side pedestal (G) on reel.
15. Replace nut (10) and screws (1).
16. Connect hose (F) to elbow (12).
17. Tighten spring tension.

**Refer to FIG. 2, page 3 for steps a - e.**

- a. Insert a 3/8" square drive breaker bar in opening (B) on the spring adjustment plate (C).
- b. Firmly grasp the breaker bar with both hands and turn it clockwise one turn at a time to increase (tighten) spring tension. This is typically 3-5 turns.
- c. Replace and partially tighten one screw (A). You can now remove the breaker bar. Pull out a section of hose and allow it to retract to test the tension adjustment.
- d. If additional tension is required, insert the breaker bar in the bracket again and remove screw (A). Then repeat steps b - c.
- e. When you are satisfied with the new setting, tighten screws (A) and (2).

# Parts

## Swivel & Swivel Seal Replacement Kits

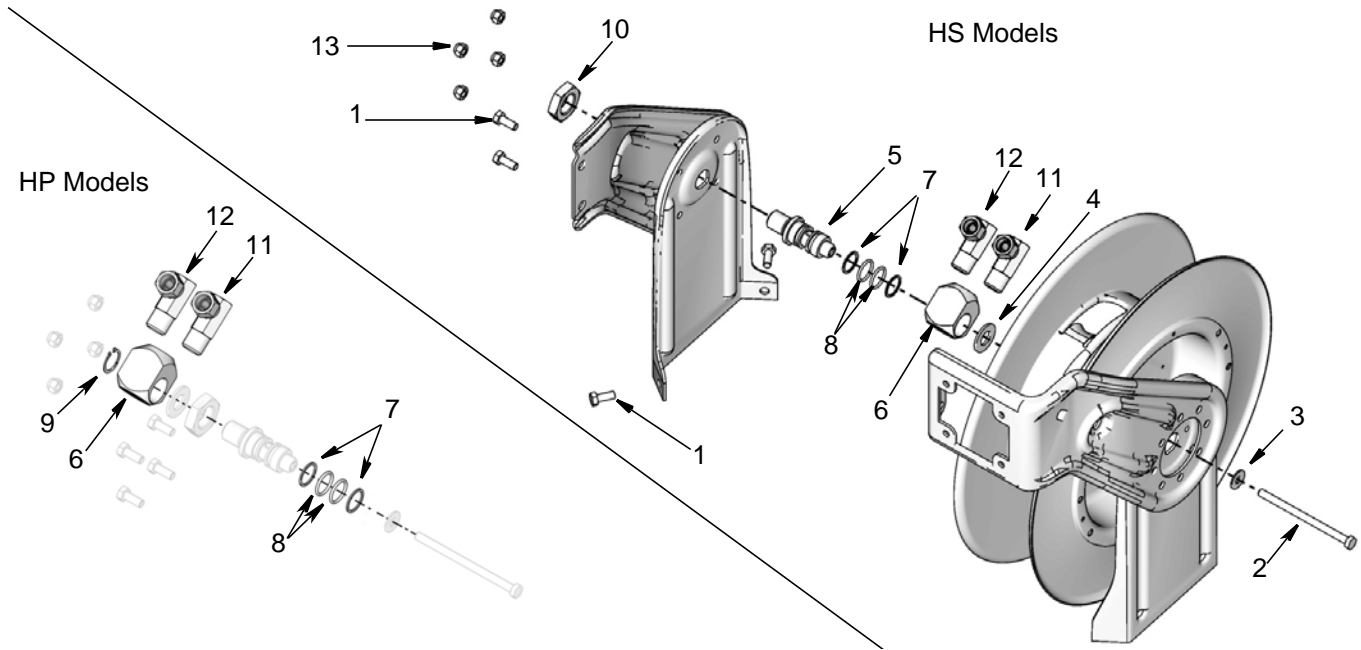


FIG. 5

Low & Medium Pressure Swivel Kit: See Table on Cover and FIG. 5

Low & Medium Pressure Swivel Seal Kit: 24A952 (FIG. 5)

Ref.	Description	Qty/Model	
		HP	HS
1	SCREW M8 x 1.25 x 20		4
2	SCREW, M8 x 1.25 x 120		1
3	WASHER, 5/16"		1
4	WASHER, flat, 5/8"		1
5	SHAFT, swivel		1
6	ELBOW, swivel, 1/2"	1	1
7†	RING, backup	2	2
8†	O-RING	2	2
9	RING, retaining	1	
10	NUT, 1/2" NPSM		1
11	ELBOW, male x female, 1/2" x 3/8"	1	1
12	ELBOW, male x female, 1/2" x 1/2"	1	1
13	NUT, M8 x 1.25		4

Ref.	Description	Qty
1	SCREW, M8 x 1.25 x 20	4
2	SCREW, M8 x 1.25 x 120	1
3	WASHER, flat, 5/16"	1
4	WASHER, 5/8"	1
7	RING, backup	2
8	O-RING	2
9	RING, retaining	1
13	NUT, M8 x 1.25	4

† Be sure backup ring (7) and o-rings (8) are assembled in correct order. Refer to drawing to verify order.

**NOTE:**

- Low and Medium Pressure Swivel Kits include **all** parts necessary to replace the swivel assembly, including the seals which are also provided in Swivel Seal Kit 24A952.
- If only the swivel seals require replacement, use Swivel Seal Kit 24A952.

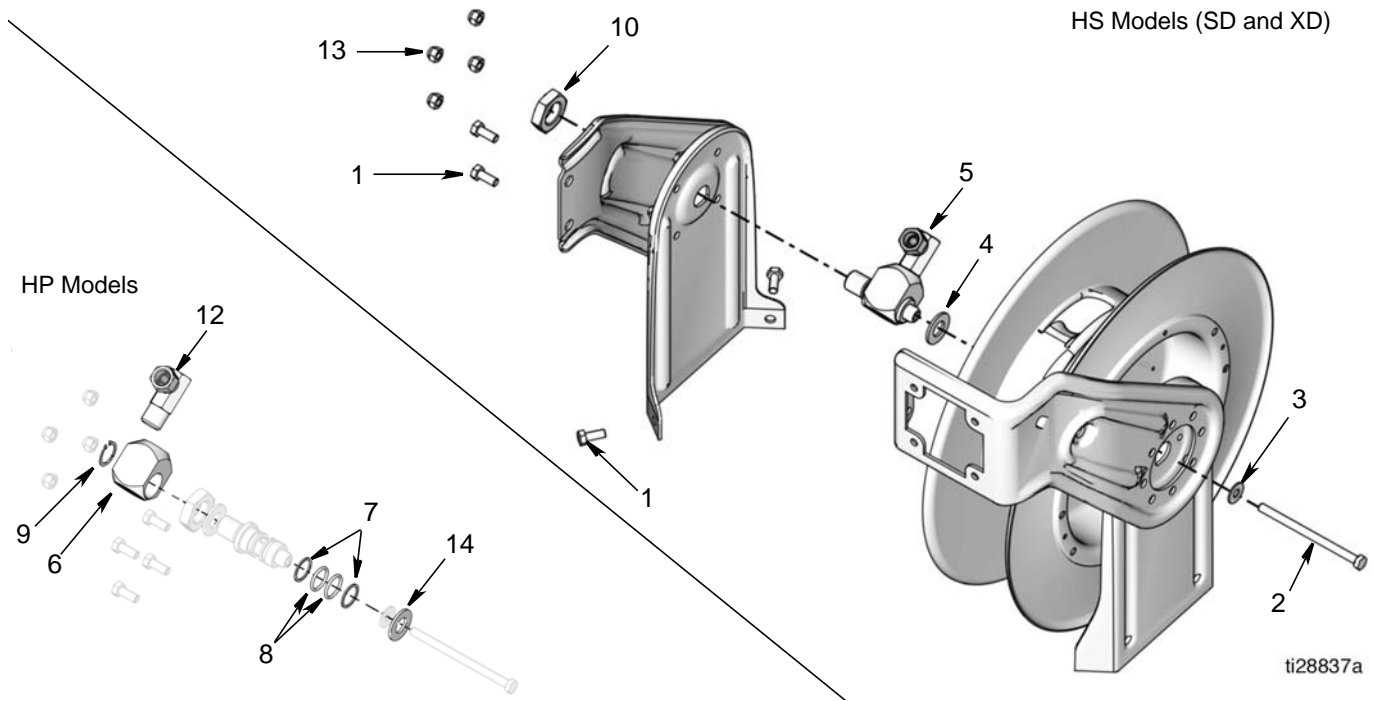


FIG. 6

**High Pressure, Single Pedestal (SD) Swivel Kit:  
26A155 or 26A156 for BSP Reels (Fig. 6)**

Ref.	Description	Qty
6	ELBOW, swivel, 3/8"	1
7†	RING, backup	2
8†	O-RING	2
9	RING, retaining	1
12	ELBOW, male x female, 3/8" x 3/8"	1
14	WASHER, 7/8" ID	1

† Be sure backup ring (7) and o-rings (8) are assembled in correct order. Refer to drawing to verify order.

**NOTE:**

- High Pressure Swivel Kits include **all** parts necessary to replace the swivel assembly, including the seals which are also provided in Swivel Seal Kit 24A953.
- If only the swivel seals require replacement, use Swivel Seal Kit 24A953.
- Swivel Seal Kits are not available for High Pressure, Dual Pedestal (XD) Reels. If seal replacement is required, Swivel Kit 26A153 or 26A154 should be used.

**High Pressure, Single Pedestal (SD) Swivel Seal Kit:  
24A953 (Fig. 6)**

Ref.	Description	Qty
1◆	SCREW M8 x 1.25 x 20	4
2◆	SCREW, M8 x 1.25 x 120	1
3◆	WASHER, 5/16"	1
4◆	WASHER, 5/8"	1
7	RING, backup	2
8	O-RING	2
9	RING, retaining	1
13◆	NUT, M8 x 1.25	4
14	WASHER, 7/8" ID	1

◆ All parts 1-14 are included in kit. Parts with a ◆ are not used.

**High Pressure, Dual Pedestal (XD) Swivel Kit:  
26A153 or 26A154 for BSP Reels (FIG. 6)**

<b>Ref.</b>	<b>Description</b>	<b>Qty</b>
1	SCREW M8 x 1.25 x 20	4
2	SCREW, M8 x 1.25 x 120	1
3	WASHER, 5/16"	1
4	WASHER, 5/8"	1
5	SWIVEL, assembly	1
10	NUT, 3/8" NPSM or BSPP	1
13	NUT, M8 x 1.25	4

*All written and visual data contained in this document reflects the latest product information available at the time of publication.  
Graco reserves the right to make changes at any time without notice.*

For patent information, see [www.graco.com/patents](http://www.graco.com/patents).

Original instructions. This manual contains English. MM 313432

**Graco Headquarters:** Minneapolis  
**International Offices:** Belgium, China, Japan, Korea

**GRACO INC. AND SUBSIDIARIES • P.O. BOX 1441 • MINNEAPOLIS MN 55440-1441 • USA**

**Copyright 2009, Graco Inc. All Graco manufacturing locations are registered to ISO 9001.**

[www.graco.com](http://www.graco.com)

Revised October 2016