

Instructions

Fixed Installation

Kit for LD Series

Hose Reels



3A0419D
ENG

For fixed installation of LD Series hose reels.

Not for use in explosive atmosphere locations!

Models: 24E506, 24K467



Important Safety Instructions

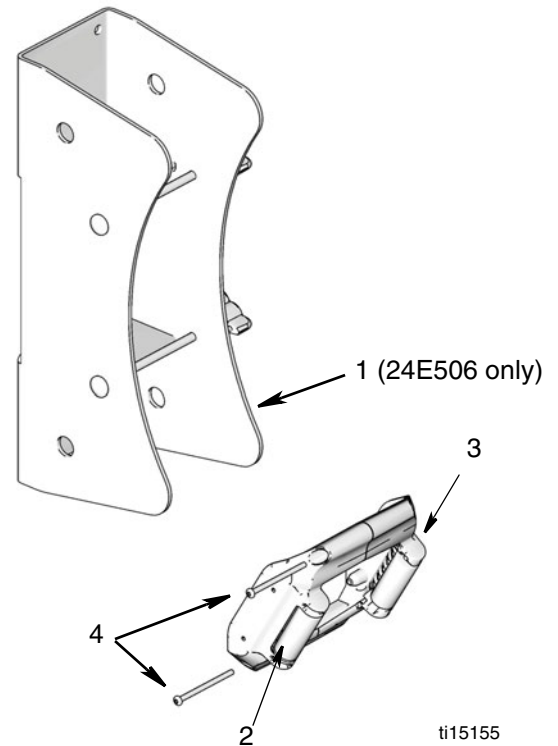
Read all warnings and instructions in this manual. Save these instructions.

Parts: 24E506

Ref	Description	Qty
1	BRACKET, fixed	1
2	BRACKET, roller A	1
3	BRACKET, roller B	1
4	SCREW, mach, pan hd	2

Parts: 24K467



Ref	Description	Qty
2	BRACKET, roller A	1
3	BRACKET, roller B	1
4	SCREW, mach, pan hd	2




ti15155

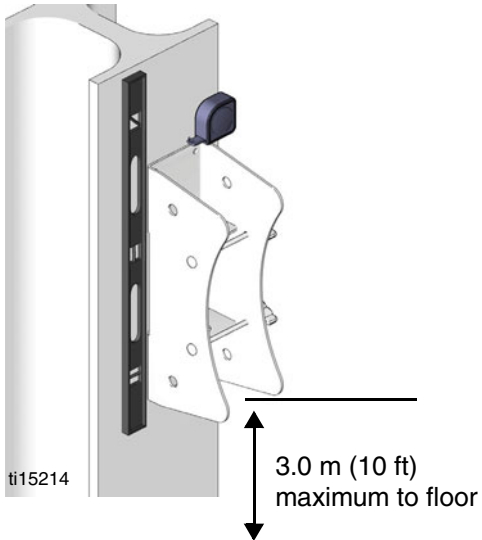
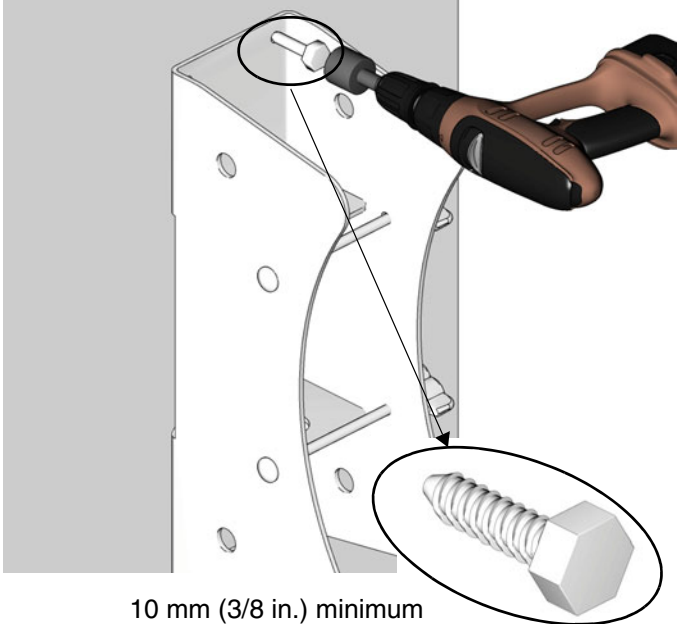
Warnings

The following warnings are for the setup, use, grounding, maintenance, and repair of this equipment. The exclamation point symbol alerts you to a general warning and the hazard symbol refers to procedure-specific risk. Refer back to these warnings. Additional, product-specific warnings may be found throughout the body of this manual where applicable.

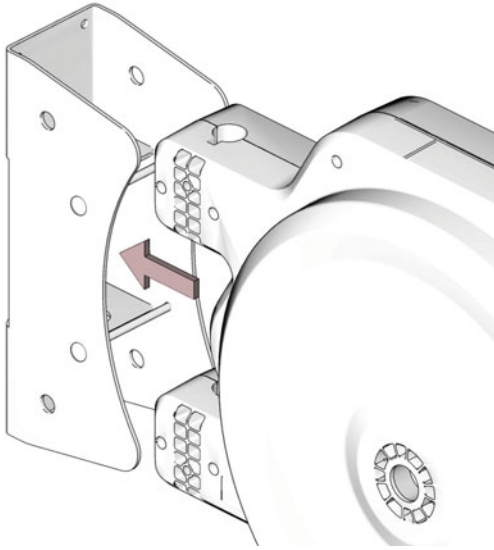
 WARNING	
	<p>MOVING PARTS HAZARD</p> <p>Moving parts can pinch or amputate fingers and other body parts.</p> <ul style="list-style-type: none">• Keep clear of moving parts.• Do not operate equipment with protective guards or covers removed.• Pressurized equipment can start without warning. Before checking, moving, or servicing equipment, follow the Pressure Relief Procedure in this manual. Disconnect power or air supply.

Installation

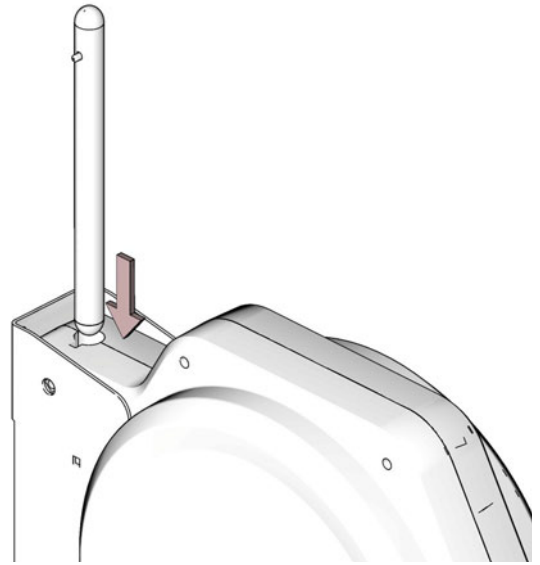
						
<p>To reduce the risk of injury, be sure the mounting surface is strong enough to support the reels, weight of the lubricants and stress caused by hard pulls on the service hoses. Graco recommends using minimum screws size of 10 mm (3/8 inch) See Technical Data, page 7 for weights of hose reel assemblies.</p>						

<p>1.</p>  <p>ti15214</p> <p>3.0 m (10 ft) maximum to floor</p>	<p>2.</p>  <p>10 mm (3/8 in.) minimum</p>
---	--

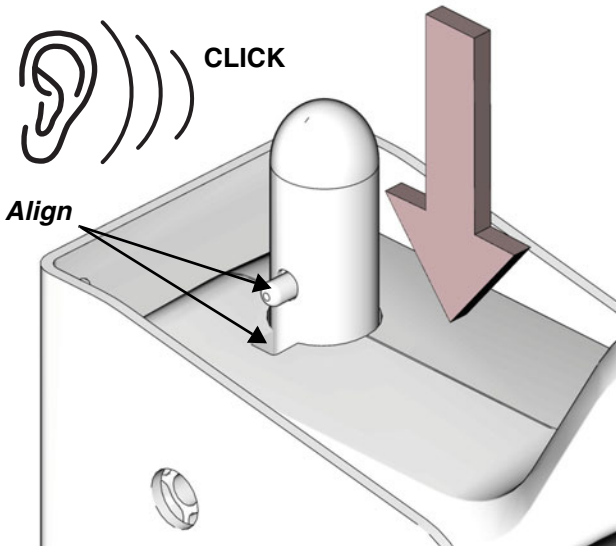
3.



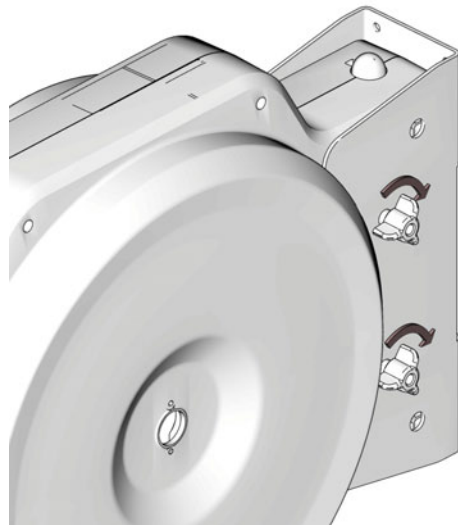
4.



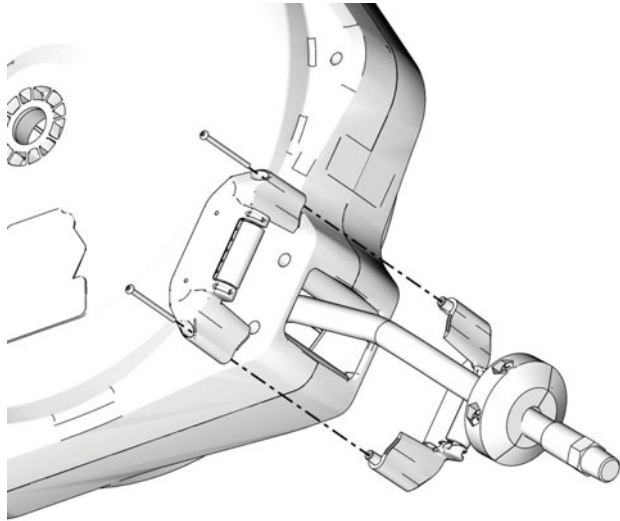
5.



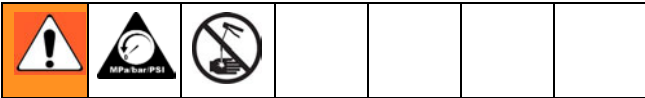
6.



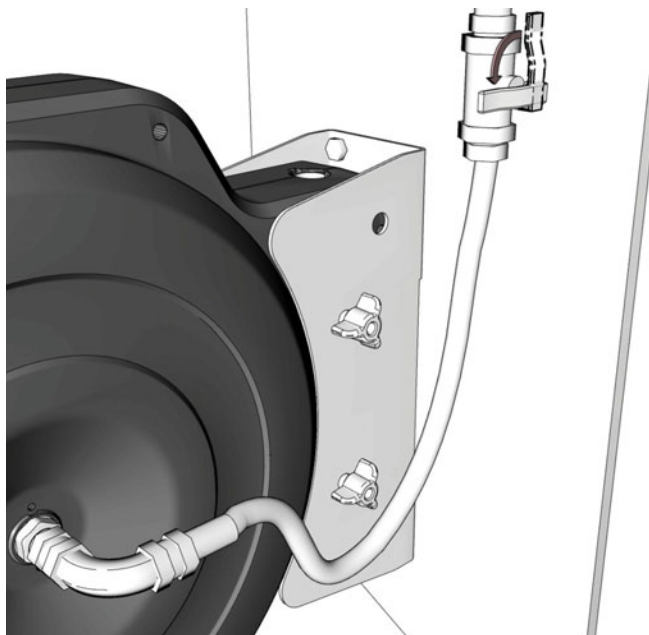
7.



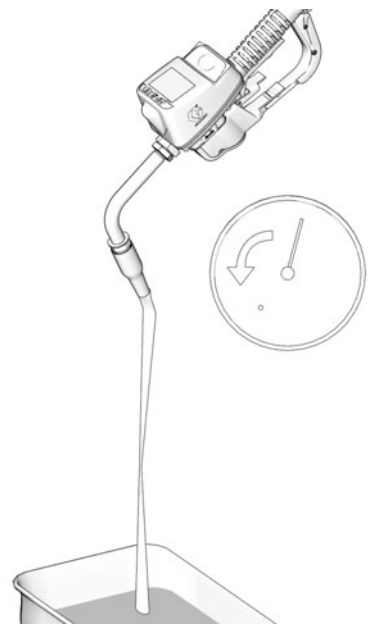
Pressure Relief Procedure



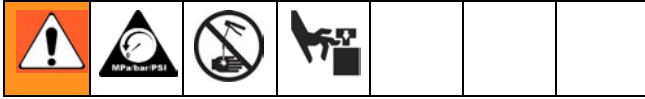
1.



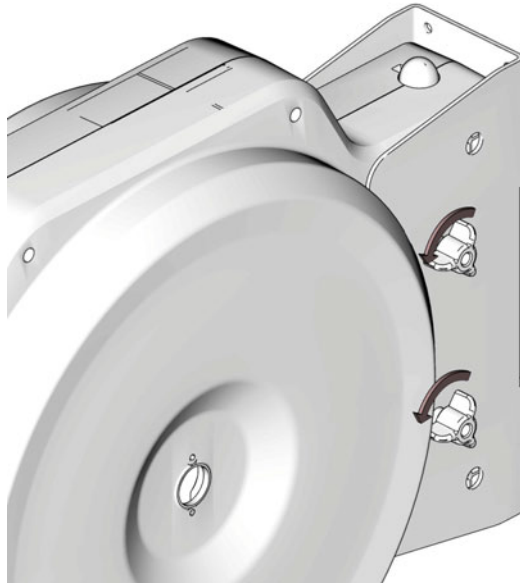
2.



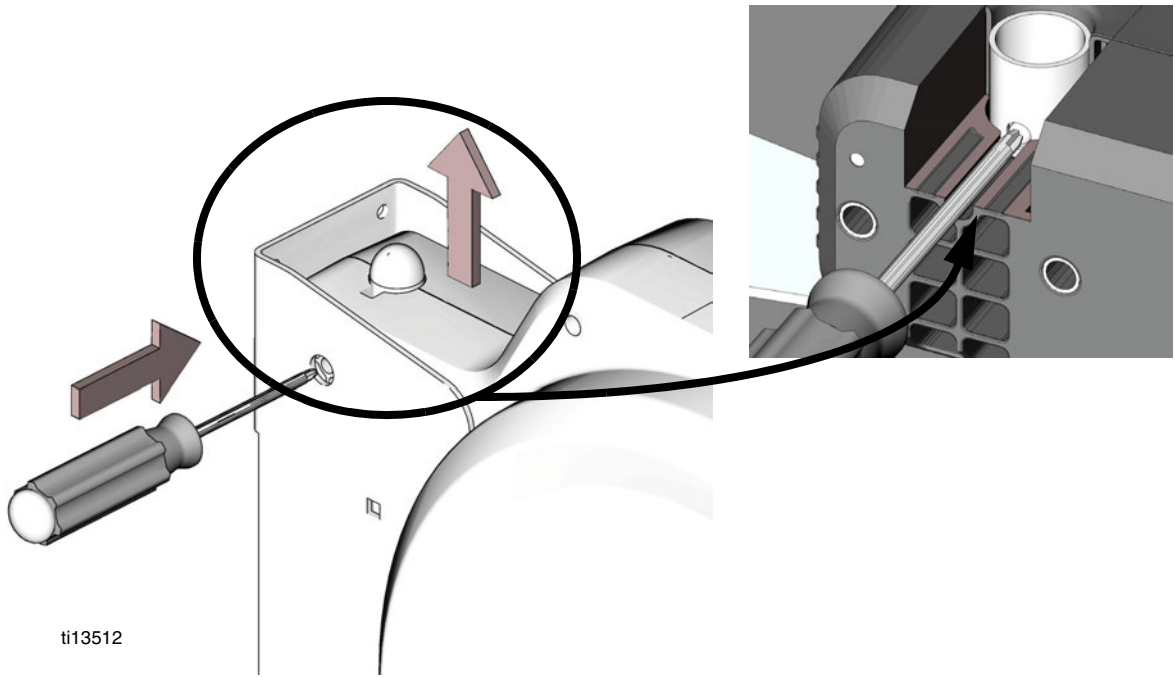
Disassembly



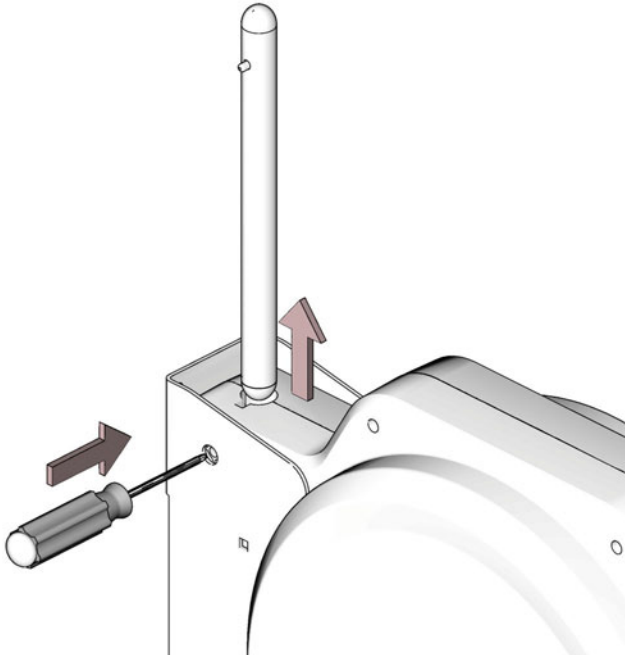
1.



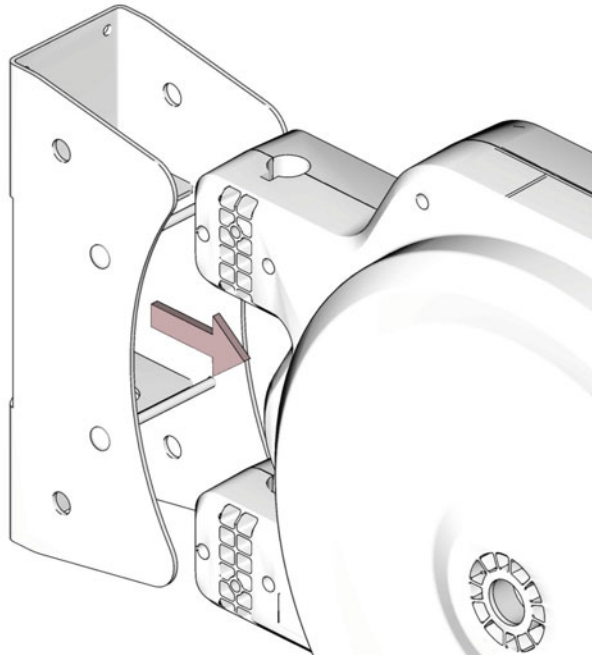
2.



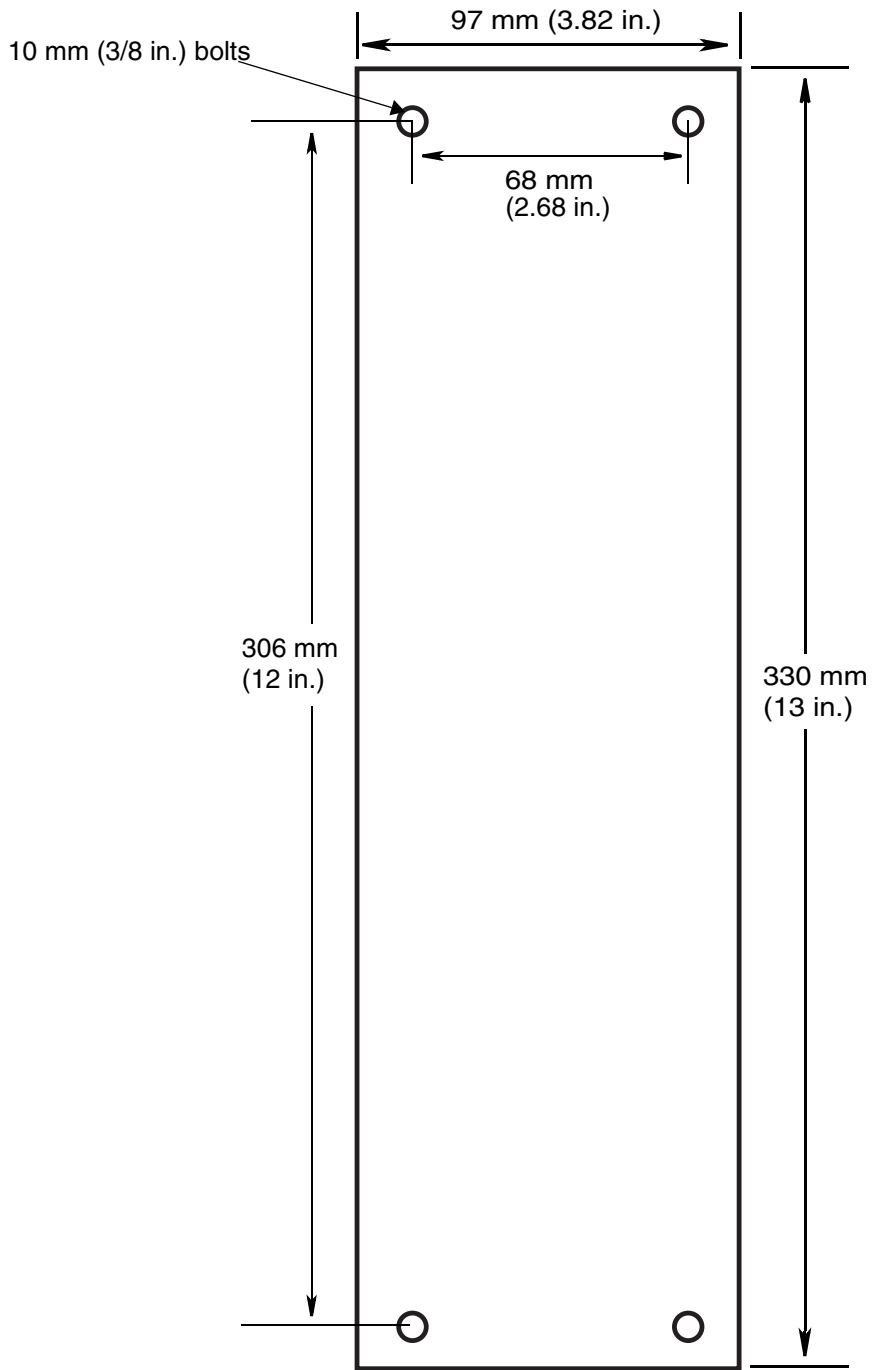
3.



4.



Mounting Pattern and Dimensions



*All written and visual data contained in this document reflects the latest product information available at the time of publication.
Graco reserves the right to make changes at any time without notice.*

Original instructions. This manual contains English. 3A0419

Graco Headquarters: Minneapolis

International Offices: Belgium, China, Japan, Korea

GRACO INC. P.O. BOX 1441 MINNEAPOLIS, MN 55440-1441

Copyright 2010, Graco Inc. is registered to ISO 9001

www.graco.com

1/2010, Revised 7/2011