

# Mark VII Max, Mark X Premium, and Mark X Max Electric Airless Sprayers

3A2528A

EN

**For Portable Airless Spraying of Architectural Coatings and Paints.  
For professional use only. Not approved for use in European explosive atmosphere locations.**

*3300 psi (227 bar, 22.7 MPa) Maximum Working Pressure*



### IMPORTANT SAFETY INSTRUCTIONS

Read all warnings and instructions in the Operation manual. Save these instructions.

#### Related Manuals:



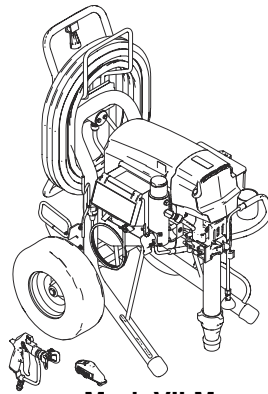
3A2243



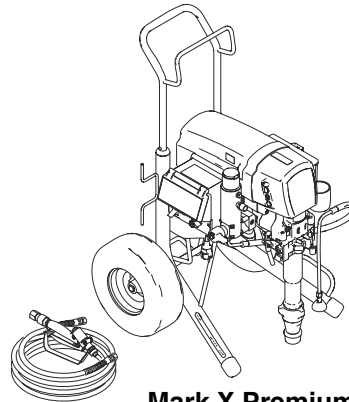
3A2244



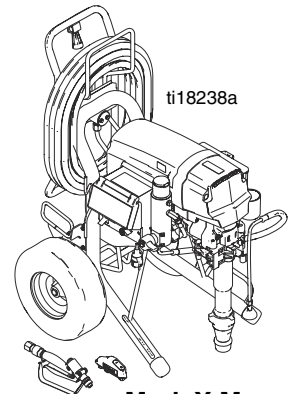
309495  
308491



Mark VII Max



Mark X Premium



Mark X Max

ti18238a



## Parts List - Mark VII Max and Mark X Max

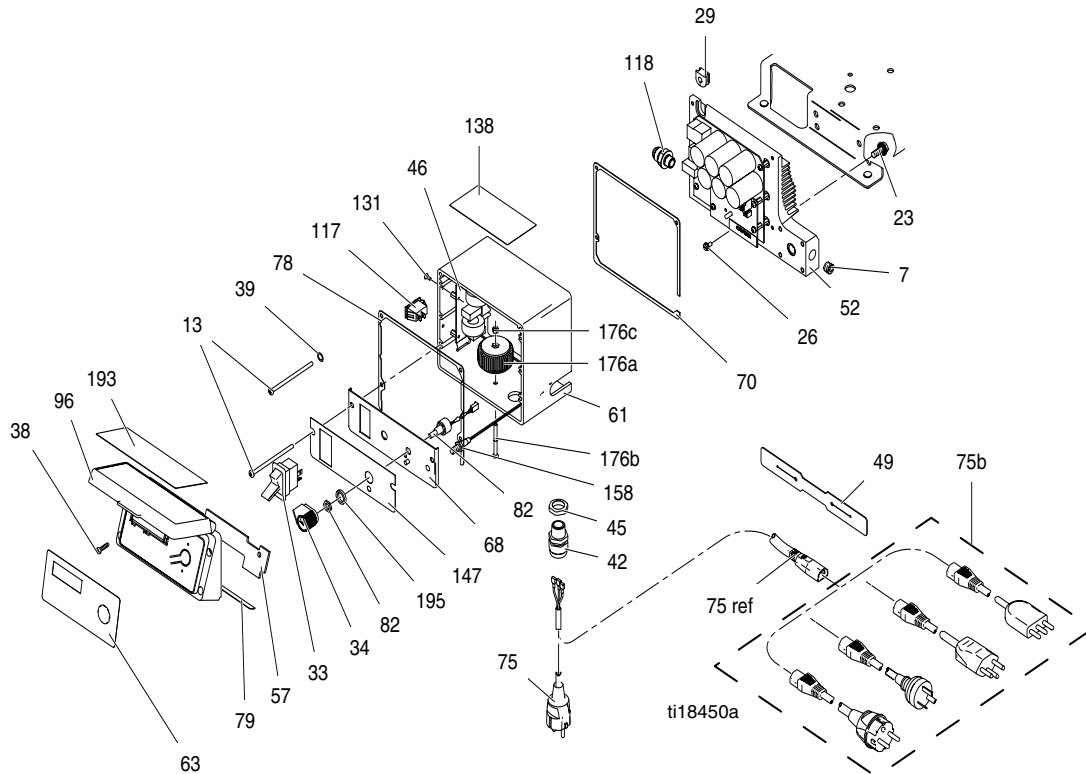
Ref.	Part	Description	Qty.	Ref.	Part	Description	Qty.	
6	15C753	SCREW, mach, hex wash hd (Mark X)	6		288035	GEAR, combination (includes 28, 30) (Mark X)	1	
	15C753	SCREW, mach, hex wash hd (Mark VII)	5	90	24M417	HOUSING, drive (includes 6, 36) (Mark VII)	1	
8	15E891	CLIP, retaining	2		287990	HOUSING, drive (includes 6, 36) (Mark X)	1	
10	156306	WASHER, flat	2					
11	119509	WHEEL, pneumatic	2	90a	194173	WASHER	1	
12	106115	WASHER, lock, hi-collar (Mark VII)	4	91	24M416	PUMP, displacement (includes 41, 55) (Mark VII)	1	
	112600	WASHER, lock, hi-collar (Mark X)	4		287946	PUMP, displacement (Mark X)	1	
14	114666	SCREW, cap, socket head (Mark VII)	4	93	287952	HOSE, drain (includes 87)	1	
	112599	SCREW, cap, socket head (Mark X)	4	94	288659	HOSE, coupled, 1/2 in. (includes 151) (Mark VII)	1	
17	276974	CAP, leg	2		16P256	HOSE, coupled, 1/2 in. (includes 151) (Mark X)	1	
19	112746	NUT, lock, nylon, thin pattern	8					
22	116038	WASHER, wave spring	2	103	287253	TOOL BOX (includes 104)	1	
28	114672	WASHER, thrust	2	104	118852	SCREW, thd forming, hex washer hd	3	
30	114699	WASHER, thrust	1	105	15Y455	BAR, kick stand	1	
31	118444	SCREW, mach, slot hex wash hd	4	106	15C982	CAM, cart	2	
36	116192	WASHER, thrust	1	107	114531	SCREW, mach, hex washer hd	4	
37	100057	SCREW, cap, hex hd	4	123	276980	GROMMET, cover	2	
41	15G880	FITTING, pump, quick disconnect (Mark VII)	1	124	119250	SCREW, shoulder	2	
43	119778	SPRING, retaining (Mark VII)	1	126	15D088	FAN, motor (Mark VII)	1	
	119677	SPRING, retaining (Mark X)	1		15V577	FAN, motor (Mark X)	1	
44	15F110	PIN, pump (Mark VII)	1	127	115477	SCREW, mach, torx pan hd (Mark VII)	1	
	15F097	PIN, pump (Mark X)	1					
48	189920	STRAINER, (1-11 1/2 npsm)	1	151	109450	PACKING, o-ring	1	
51	16N409	COVER, drive, plastic, painted (includes 31) (Mark VII)	1	154	15F584	LABEL, Proconnect	1	
	16N410	COVER, drive, plastic, painted (includes 31) (Mark X)	1	156	288899	SHELF, ultra, pem assembly	1	
55	C20195	O-RING	1	159	278075	BRACKET, wire	1	
58	287282	SHIELD, motor, painted (includes 124, 123)	1	160	24M197	BRACKET, hose wrap	1	
62	24J083	FRAME, platinum	1	165	117633	SCREW, slot hex wash hd	2	
83	287933	HOUSING, bearing (Mark VII)	1	168	24M611	VALVE, check (includes 55)	1	
	287934	HOUSING, bearing (Mark X)	1	168a	24M725	KIT, check valve repair (includes 55)	1	
84	257188	MOTOR, electric (includes 126, 127) (Mark VII)	1	168b	16N462	HOUSING, ball, check valve	1	
	258909	MOTOR, electric (includes 126, 179, 228) (Mark X)	1	168c	16N461	HOUSING, seat, check valve	1	
85	287472	ROD, connecting (includes 43, 44) (Mark VII)	1	179	15G845	SPACER, standoff	2	
	287473	ROD, connecting (includes 43, 44) (Mark X)	1	181	15Y118	LABEL, Made in the USA	1	
87	241920	DEFLECTOR, threaded	1	187	16N555	LABEL, brand, Mark Max	1	
89	287290	GEAR, combination (includes 28, 30) (Mark VII)	1	188	16N559	LABEL, brand, Mark VII Max, front	1	
					16N561	LABEL, brand, Mark X Max, front	1	
					192	16N565	LABEL, brand, Mark Max, Platinum	1
					199	16N563	LABEL, brand, Mark VII Max, side	1
						16N562	LABEL, brand, Mark X Max, side	1
				228	122347	RING, retaining, external (Mark X)	1	



## Parts List - Mark X Premium

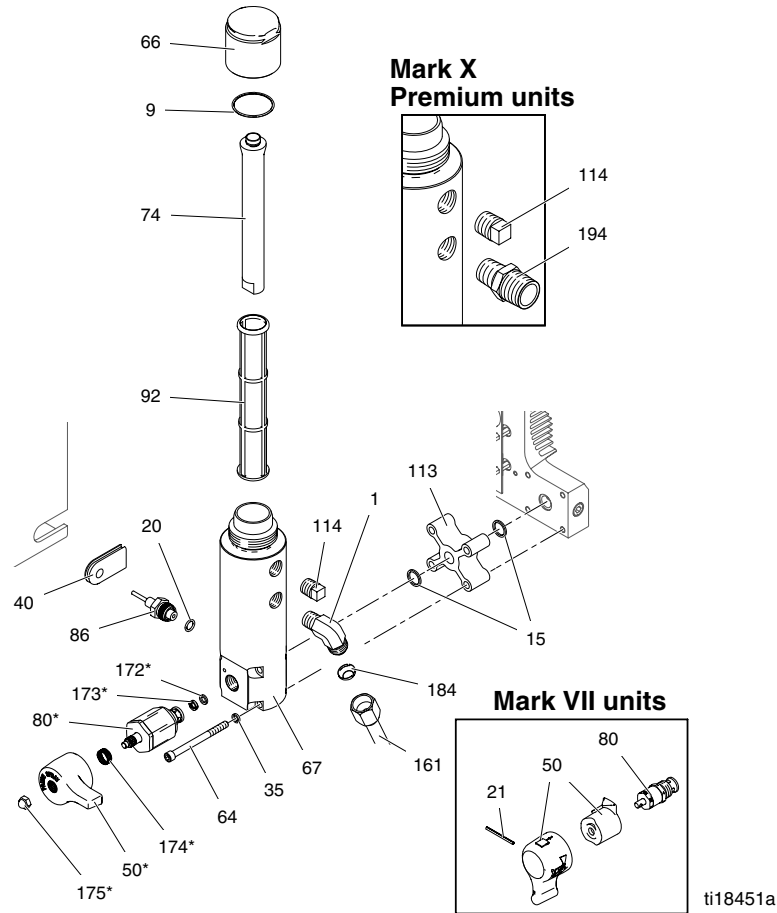
Ref.	Part	Description	Qty.	Ref.	Part	Description	Qty.
4	24A250	HANDLE, assy	1	93	287952	HOSE, drain, Ultra hi-boy (includes 87)	1
6	15C753	SCREW, mach, hex wash hd	6	94	16P256	HOSE, coupled, 1/2 in. (includes 151) (Mark VII)	1
8	15E891	CLIP, retaining	2	103	287253	TOOL BOX (includes 104)	1
10	156306	WASHER, flat	2	104	118852	SCREW, thd forming, hex washer hd	3
11	119509	WHEEL, pneumatic	2	105	15Y455	BAR, kick stand	1
17	276974	CAP, leg	2	106	15C982	CAM, cart	2
19	112746	NUT, lock, nylon, thin pattern	8	107	114531	SCREW, mach, hex washer hd	4
22	116038	WASHER, wave spring	2	123	276980	GROMMET, cover	2
23	110963	SCREW, cap, flange head	2	124	119250	SCREW, shoulder	2
28	114672	WASHER, thrust	2	126	15V577	FAN, motor	1
30	114699	WASHER, thrust	1	129	277253	HOSE, cpld, 1/2 in. x 50 ft, 4000 wp	1
31	118444	SCREW, mach, slot hex wash hd	4	130	245820	GUN, inline texture	1
36	116192	WASHER, thrust	1	151	109450	PACKING, o-ring	1
37	100057	SCREW, cap, hex hd	4	154	15F584	LABEL, Proconnect	1
43	119677	SPRING, retaining	1	156	288899	SHELF, ultra, pem assembly	1
44	15F097	PIN, pump	1	159	278075	BRACKET, wire	1
48	189920	STRAINER, (1-11 1/2 npsm)	1	168	24M611	VALVE, check (includes 55)	1
51	287992	COVER, drive, plastic, painted (includes 31)	1	168a	24M725	HOUSING, seat, check valve (includes 55)	1
55	C20195	O-RING	1	168b	16N462	HOUSING, ball, check valve	1
58	287282	SHIELD, motor, painted (includes 123, 124)	1	168c	16N461	HOUSING, seat, check valve	1
62	288663	FRAME, cart, Mark X	1	169	112599	SCREW, cap, socket head	4
83	287934	HOUSING, bearing	1	170	112600	WASHER, lock, spring, (hi-collar)	4
84	258909	MOTOR, electric, Mark X, (240V) (includes 126, 179, 228)	1	179	15G845	SPACER, standoff	2
85	287473	ROD, connecting (includes 43, 44)	1	181	15Y118	LABEL, Made in the USA	1
87	241920	DEFLECTOR, threaded	1	191	108795	SCREW, mach, pnh	4
89	288035	GEAR, combination (includes 28, 30)	1	198	15G968	LABEL, front, Mark X	1
90	287990	HOUSING, drive, Mark X (includes 6, 36)	1	199	15G969	LABEL, side, Mark X	1
90a	194173	WASHER	1	228	122347	RING, retaining, external	1
91	287946	PUMP, displacement	1				

# Parts - Mark VII and Mark X Control Box and Board



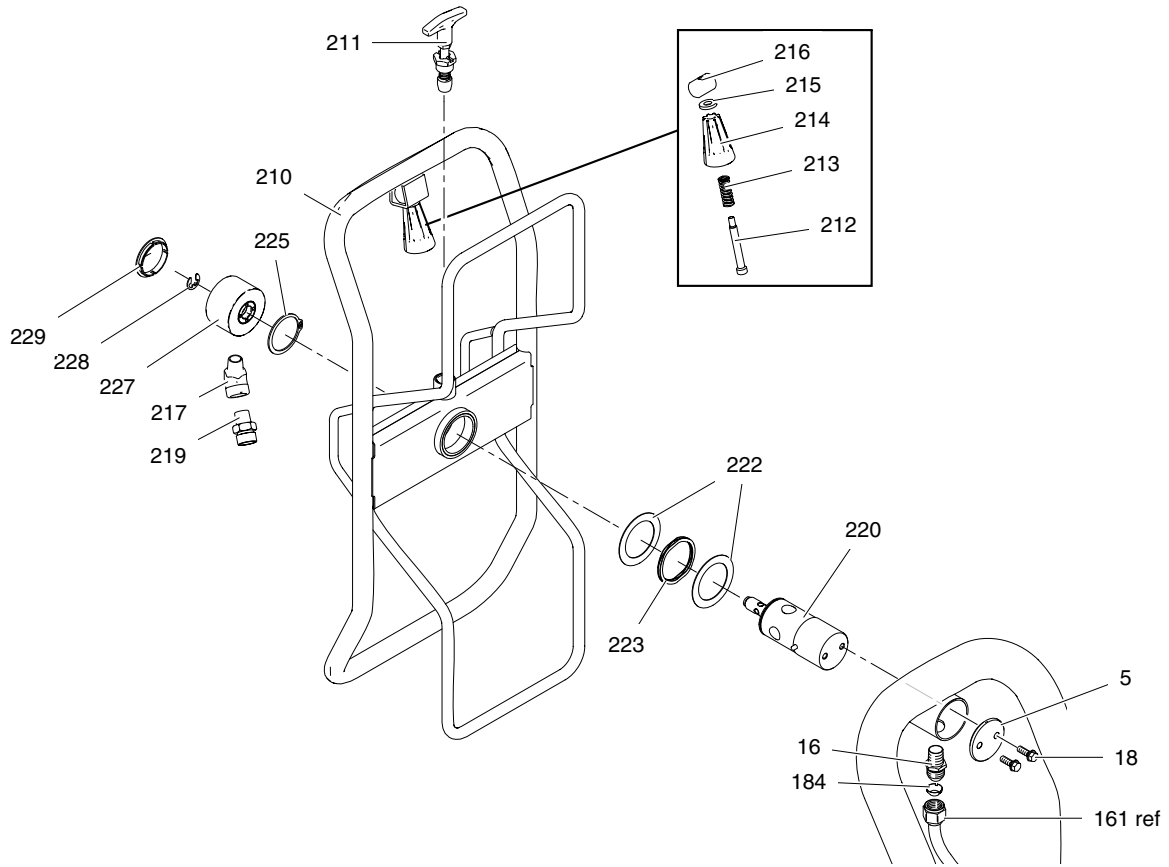
Ref.	Part	Description	Qty.	Ref.	Part	Description	Qty.
7	101754	PLUG, pipe	1	16M836	CORD, power, multi (Mark VII)	1	
13	120201	SCREW, mach, pan head	4	15G938	CORD, power, multi (Mark X)	1	
23	110963	SCREW, cap, flange head	2	75b	KIT, accessory, cordset, global	1	
26	114391	SCREW, grounding	1	78	16D640	GASKET	1
29	16K149	GROMMET, motor lead	1	79	16D642	GASKET	1
33	15D527	SWITCH, rocker, 240V	1	82	256219	POTENTIOMETR, assembly	1
34	116167	KNOB, potentiometer	1	96	257444	KIT, repair, display (Max units) (includes 38, 57, 63, 193)	1
38	116252	SCREW, #10, taptite phil	4	287286	KIT, repair, display (Premium units) (includes 38, 57, 63, 193)	1	
39	116876	WASHER	2	117	126029	SWITCH, rocker	1
42	117745	BUSHING, strain relief	1	118	120184	FITTING, hydraulic	1
45	117625	NUT, locking	1	131	119228	SCREW, mach, flat hd	4
46	257905	CONTROL, board (Mark VII)	1	138	16G596	LABEL, warning icons intl	1
	24M011	CONTROL, board (Mark X)	1	147	15X903	LABEL (Max units)	1
49	121249	LOCK, cord	1		15X902	LABEL (Premium units)	1
52	16N278	CONTROL, board, blue, 50 amp, 230	1	158	258644	SWITCH, reed (Max units)	1
57		PAD, foam (included in 96)	1	176	287943	KIT, repair, coil (Mark X)	1
61	16M839	BOX, control, Mark VII	1	176a		COIL, filter (Mark X)	1
	16M579	BOX, control, Mark X	1	176b		SCREW, machine, flat head (Mark X)	1
63	15X508	LABEL, brand (Max units)	1	176c		NUT, lock (Mark X)	1
	198648	LABEL (Premium units)	1	193	15X507	LABEL, brand, smartcontrol (Max units)	1
68	15X480	PANEL, control (Max units)	1		15K394	LABEL, control box cover (Premium units)	1
	15X617	PANEL, control (Premium units)	1	195	122725	GASKET (Max units)	1
70	15D036	GASKET, control box	1		15C973	GASKET (Premium units)	1
75	16M834	CORD, power, w/ iec cee 7/7 (Mark VII)	1				
	15G957	CORD, power, w/ iec cee 7/7 (Mark X)	1				

# Parts - Filter Assembly

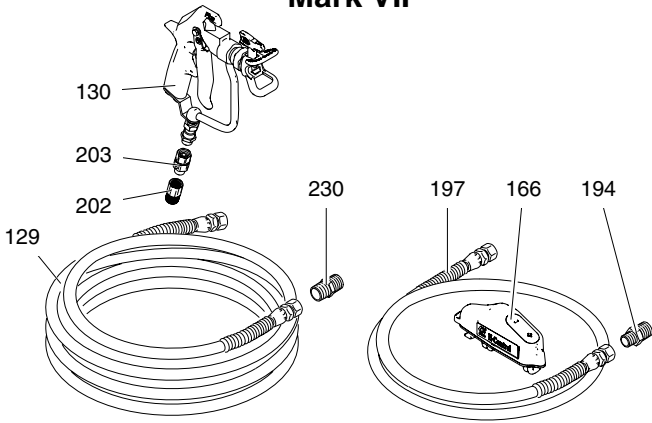


Ref.	Part	Description	Qty.	Ref.	Part	Description	Qty.
1	122533	FITTING, 45 degree, elbow, #8 JIC x 3/8 tube (Mark VII)	1	86	243222	TRANSDUCER, pressure control (includes 20)	1
	125926	FITTING, elbow, 90 deg (Mark X)	1	92	244071	FILTER, fluid 30 mesh	1
9	117285	PACKING, o-ring	1		244067	FILTER, fluid 60 mesh, original equip	1
15	16M504	PACKING, square ring	2		244068	FILTER, fluid 100 mesh	1
20	111457	PACKING, o-ring	1		244069	FILTER, fluid 200 mesh	1
21	15C972	PIN, spring	1	113	16K165	SPACER, manifold	1
35	105510	WASHER, lock, spring (hi-collar)	4	114	104813	PLUG, pipe	1
40	15D033	GROMMET, transducer	1	161	24J081	TUBE, formed (Mark VII)	1
50	24E233	KIT, handle, fast flush (Mark VII) (includes 21)	1		16M441	TUBE, formed (Mark X)	1
	15G563	HANDLE, valve (Mark X)	1	172	193710	SEAL, seat, valve	1
64	16M543	SCREW, cap, shc	4	173	193709	SEAT, valve	1
66	15C765	CAP, filter	1	174	114708	SPRING, compression	1
67	16M170	BASE, filter	1	175	116424	NUT, cap	1
74	15C766	TUBE, diffusion	1	184	123739	SEAL, fitting, flared	1
80	24A381	VALVE, prime, heavy duty	1	194	159239	FITTING, nipple, pipe, rdcg	1
	*287879	VALVE, drain, assy (Mark X)	1			* 245103 Drain valve repair kit is available (includes 50, 80, 172, 173, 174, 175)	

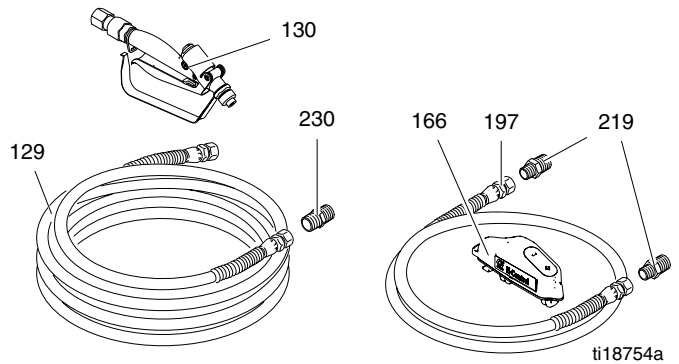
# Parts - Hose Reel and Guns



## Mark VII



## Mark X

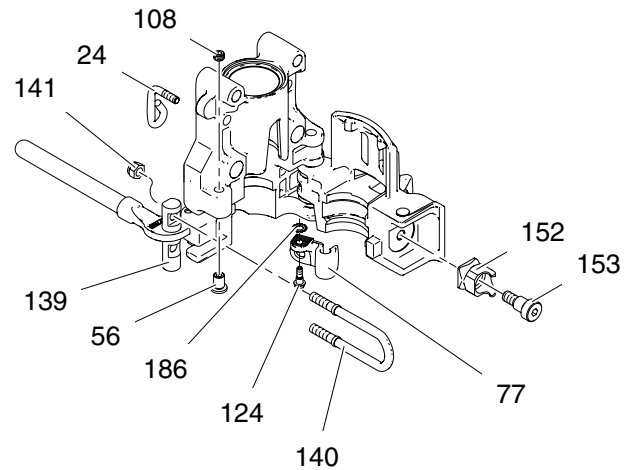




## Parts List - Hose Reel and Gun

Ref.	Part	Description	Qty.
5	16C975	PLATE, pivot mount	1
16	121311	FITTING, connector, npt x jic	1
18	260212	SCREW, hex washer hd, thd form	2
129	277253	HOSE, cpld, 1/2 in. x 50 ft, 4000 WP	2
130	289605	GUN, spray, texture	1
	245820	GUN, inline, texture	1
166	24B194	TRANSMITTER, pressure, remote	1
184	123739	SEAL, fitting, flared	1
194	159239	FITTING, nipple, pipe, rdcg	1
197	191239	HOSE, CPLD, 3/8 in. x 11 in. 10 ft	1
202	159841	BUSHING, 3/8 in. x 1/4 in.	1
203	189018	SWIVEL	1
210	24B691	REEL, hose	1
211	24E400	PIN, pop, lock out	1
212	122518	SCREW, shoulder, sch	1
213	122542	SPRING, die	1
214	278085	HANDLE, swivel	1
215	122669	WASHER, flat	1
216	15X618	NUT, swivel, handle	1
217	116756	ELBOW, 45 degree	1
219	183285	ADAPTER (Mark VII)	1
	159239	ADAPTER (Mark X)	3
220		TUBE, hose reel, pivot	1
222	122607	WASHER, flat	2
223	122534	SPRING, wave	1
225	122524	RING, retaining, external	1
227	24B248	CAP, swivel, complete	1
228	122347	RING, retaining, external	1
229	122787	CAP	1
230	158491	FITTING	1

## Parts - Bearing Housing



## Parts List - Bearing Housing

Ref.	Part	Description	Qty.
24	15F116	LATCH, handle	1
56	15F498	SCREW, adjustment	1
77	278204	CLIP, drain line	1
108	15F503	SCREW, set, socket	1
124	119250	SCREW, shoulder	1
139	15E625	PIN, housing, bearing	1
140	15G890	LATCH, bearing housing	1
141	111040	NUT, lock, insert, nylock, 5/16	2
152	15G584	RECEIVER, clamp	1
153	116942	SCREW, shoulder, skt hd	1
186	100985	WASHER, lock ext	1





# Graco Standard Warranty

Graco warrants all equipment referenced in this document which is manufactured by Graco and bearing its name to be free from defects in material and workmanship on the date of sale to the original purchaser for use. With the exception of any special, extended, or limited warranty published by Graco, Graco will, for a period of twelve months from the date of sale, repair or replace any part of the equipment determined by Graco to be defective. This warranty applies only when the equipment is installed, operated and maintained in accordance with Graco's written recommendations.

This warranty does not cover, and Graco shall not be liable for general wear and tear, or any malfunction, damage or wear caused by faulty installation, misapplication, abrasion, corrosion, inadequate or improper maintenance, negligence, accident, tampering, or substitution of non-Graco component parts. Nor shall Graco be liable for malfunction, damage or wear caused by the incompatibility of Graco equipment with structures, accessories, equipment or materials not supplied by Graco, or the improper design, manufacture, installation, operation or maintenance of structures, accessories, equipment or materials not supplied by Graco.

This warranty is conditioned upon the prepaid return of the equipment claimed to be defective to an authorized Graco distributor for verification of the claimed defect. If the claimed defect is verified, Graco will repair or replace free of charge any defective parts. The equipment will be returned to the original purchaser transportation prepaid. If inspection of the equipment does not disclose any defect in material or workmanship, repairs will be made at a reasonable charge, which charges may include the costs of parts, labor, and transportation.

**THIS WARRANTY IS EXCLUSIVE, AND IS IN LIEU OF ANY OTHER WARRANTIES, EXPRESS OR IMPLIED, INCLUDING BUT NOT LIMITED TO WARRANTY OF MERCHANTABILITY OR WARRANTY OF FITNESS FOR A PARTICULAR PURPOSE.**

Graco's sole obligation and buyer's sole remedy for any breach of warranty shall be as set forth above. The buyer agrees that no other remedy (including, but not limited to, incidental or consequential damages for lost profits, lost sales, injury to person or property, or any other incidental or consequential loss) shall be available. Any action for breach of warranty must be brought within two (2) years of the date of sale.

**GRACO MAKES NO WARRANTY, AND DISCLAIMS ALL IMPLIED WARRANTIES OF MERCHANTABILITY AND FITNESS FOR A PARTICULAR PURPOSE, IN CONNECTION WITH ACCESSORIES, EQUIPMENT, MATERIALS OR COMPONENTS SOLD BUT NOT MANUFACTURED BY GRACO.** These items sold, but not manufactured by Graco (such as electric motors, switches, hose, etc.), are subject to the warranty, if any, of their manufacturer. Graco will provide purchaser with reasonable assistance in making any claim for breach of these warranties.

In no event will Graco be liable for indirect, incidental, special or consequential damages resulting from Graco supplying equipment hereunder, or the furnishing, performance, or use of any products or other goods sold hereto, whether due to a breach of contract, breach of warranty, the negligence of Graco, or otherwise.

## **FOR GRACO CANADA CUSTOMERS**

The Parties acknowledge that they have required that the present document, as well as all documents, notices and legal proceedings entered into, given or instituted pursuant hereto or relating directly or indirectly hereto, be drawn up in English. Les parties reconnaissent avoir convenu que la rédaction du présente document sera en Anglais, ainsi que tous documents, avis et procédures judiciaires exécutés, donnés ou intentés, à la suite de ou en rapport, directement ou indirectement, avec les procédures concernées.

# Graco Information

For the latest information about Graco products, visit [www.graco.com](http://www.graco.com).

TO PLACE AN ORDER, contact your Graco distributor or call 1-800-690-2894 to identify the nearest distributor.

*All written and visual data contained in this document reflects the latest product information available at the time of publication.  
Graco reserves the right to make changes at any time without notice.*

Original instructions. This manual contains English. MM 3A2528

**Graco Headquarters:** Minneapolis

**International Offices:** Belgium, China, Japan, Korea

**GRACO INC. AND SUBSIDIARIES • P.O. BOX 1441 • MINNEAPOLIS MN 55440-1441 • USA**

**Copyright 2009, Graco Inc. All Graco manufacturing locations are registered to ISO 9001.**

[www.graco.com](http://www.graco.com)  
Revision A - 2012