

Pallet Support Kit

3A2574A
EN

To add support to the E-30i and E-XP2i Reactor[®] pallet frame when relocating the system without a forklift or pallet jack. For professional use only.

Kit 24L911



Important Safety Instructions

Read all warnings and instructions in this manual and in the E-30i and E-XP2i Reactor operation and repair manuals. Save all instructions.

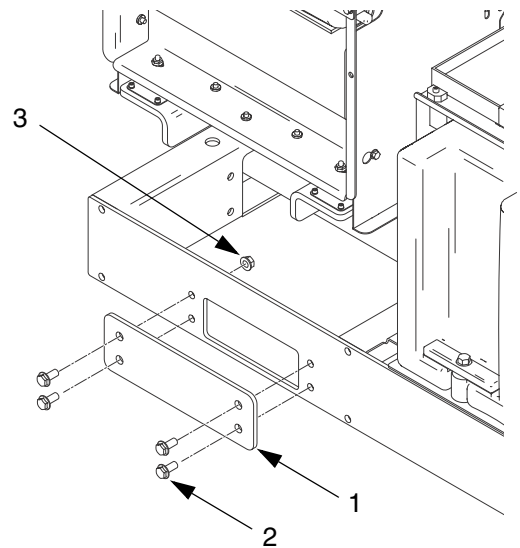
NOTICE

Use the pallet support kit, when rolling over round or tubular objects, to prevent deforming the forklift openings on the side of the pallet

Parts

Ref.	Part	Description	Qty.
1	16K921	PLATE, roller	4
2	111192	SCREW, cap, flange hd; 3/8-16, 7/8 in. (22 mm)	16
3	112958	NUT, hex, flanged; 3/8-16	16

NOTE: Remove pallet support kit after system has been relocated.



Graco Information

For the latest information about Graco products, visit www.graco.com.

TO PLACE AN ORDER, contact your Graco distributor or call to identify the nearest distributor.

Phone: 612-623-6921 **or Toll Free:** 1-800-328-0211 **Fax:** 612-378-3505

*All written and visual data contained in this document reflects the latest product information available at the time of publication.
Graco reserves the right to make changes at any time without notice.*

For patent information, see www.graco.com/patents.

Original instructions. This manual contains English. MM 3A2574

Graco Headquarters: Minneapolis

International Offices: Belgium, China, Japan, Korea

GRACO INC. AND SUBSIDIARIES • P.O. BOX 1441 • MINNEAPOLIS MN 55440-1441 • USA

Copyright 2012, Graco Inc. All Graco manufacturing locations are registered to ISO 9001.

www.graco.com