

GENUINE GRACO PARTS AND ACCESSORIES

Hose Rack Kit 256263



406691C

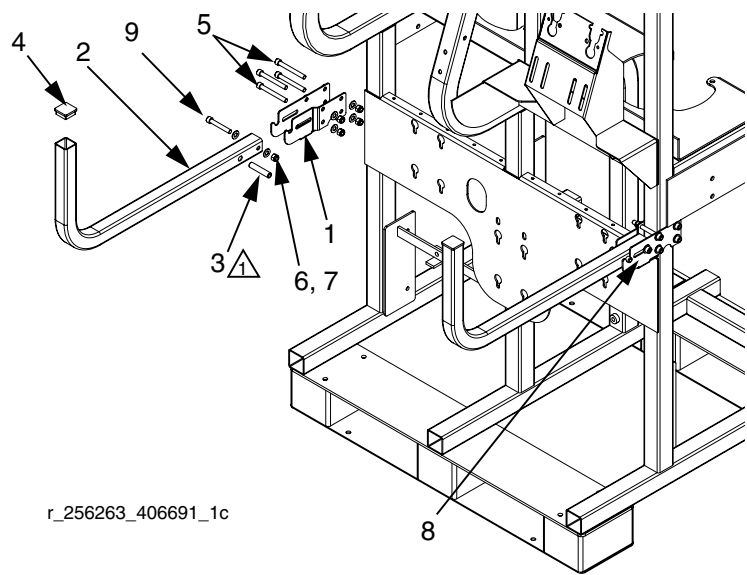
ENG



Important Safety Instructions

Read all warnings and instructions in manual 312359. Save those instructions.

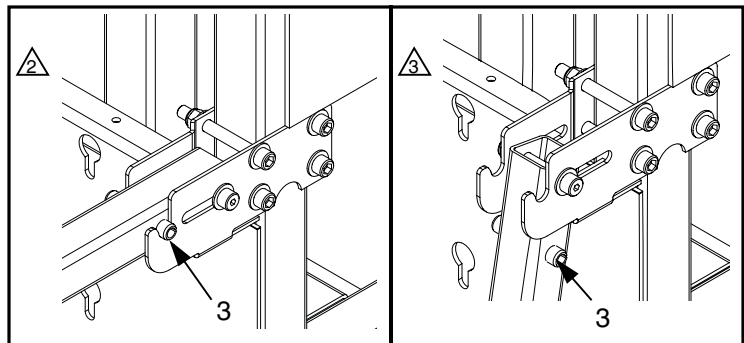
Hose Rack Kit may be mounted on the front, side, or back of the frame as desired. Shown on front side.



r_256263_406691_1c

Ref. Part	Description	Qty.
1	16D174 BRACKET, hose rack, left	1
2	16D176 HANGER, hose rack	2
3	123880 PIN, spring	2
4	111218 PLUG, square tubing, 1.5 in.	2
5	C19834 SCREW, cap, socket hd	8
6	100731 WASHER	20
7	101566 NUT, lock	10
8	16D111 BRACKET, hose rack, right	1
9	C19846 SCREW, cap, socket hd	2

- ⚠️ Install spring pin (3) centered into hanger (2).
- ⚠️ Lift up, push back, and hook pin (3) in notch on bracket (1) for use.
- ⚠️ Lift up, pull out, and drop down when not in use.



Graco Inc. P.O. Box 1441 Minneapolis, MN 55440-1441

406691 Rev. C 01/2010

Copyright 2009, Graco Inc. is registered to ISO 9001