

# 15V077 Dispense Valve Acid Kit

406713B  
EN

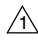
**To convert dispense valves on ProMix® 2KS and 2KE Proportioners for use with acid-catalyzed materials. For professional use only.**

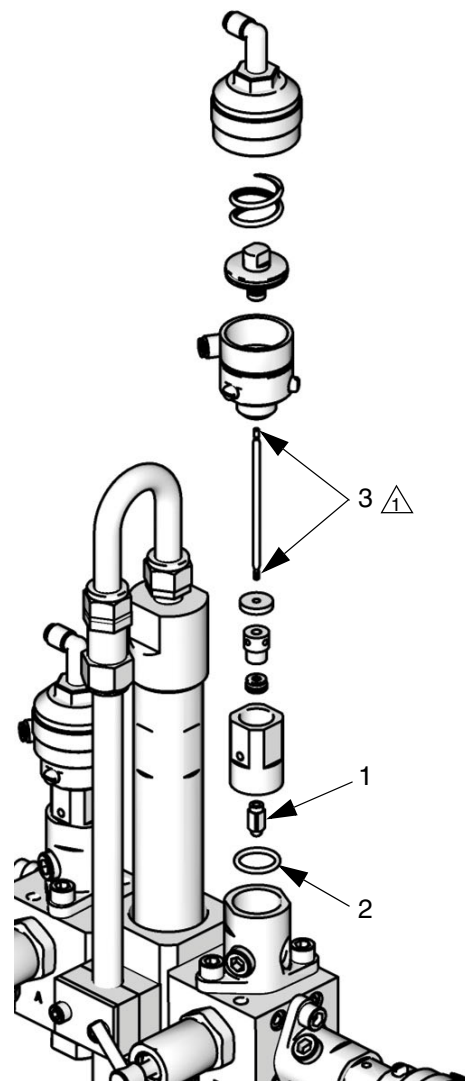


### Important Safety Instructions

Before beginning, read all warnings and instructions in this manual and in your related equipment manuals. Save all instructions. This manual is only a guide for kit installation. See your ProMix manual for complete warnings and repair instructions.

Ref.	Description	Qty
1	BALL ASSEMBLY, needle	1
2	O-RING, dispense valve	1
3	SHAFT, needle	1
4	ADHESIVE, anaerobic; 5 cc packet	1

 Apply anaerobic adhesive (4) to the threads on both ends of the needle shaft (3) before assembling.



ti18082a

Graco Inc. P.O. Box 1441 Minneapolis, MN 55440-1441

406713 Rev. B 10/2011

Original instructions. This manual contains English.

Copyright 2008, Graco Inc. is registered to ISO 9001