



# O-Ring Repair Kits

Merkur™ Pumps

406904A

ENG



**Important Safety Instructions**

Read all warnings and instructions in manuals 312792 and 312794. Save all instructions.

*See reverse for parts illustration and assembly notes.*

**TIP:** Some o-rings are close in size. Stack on bench to differentiate.

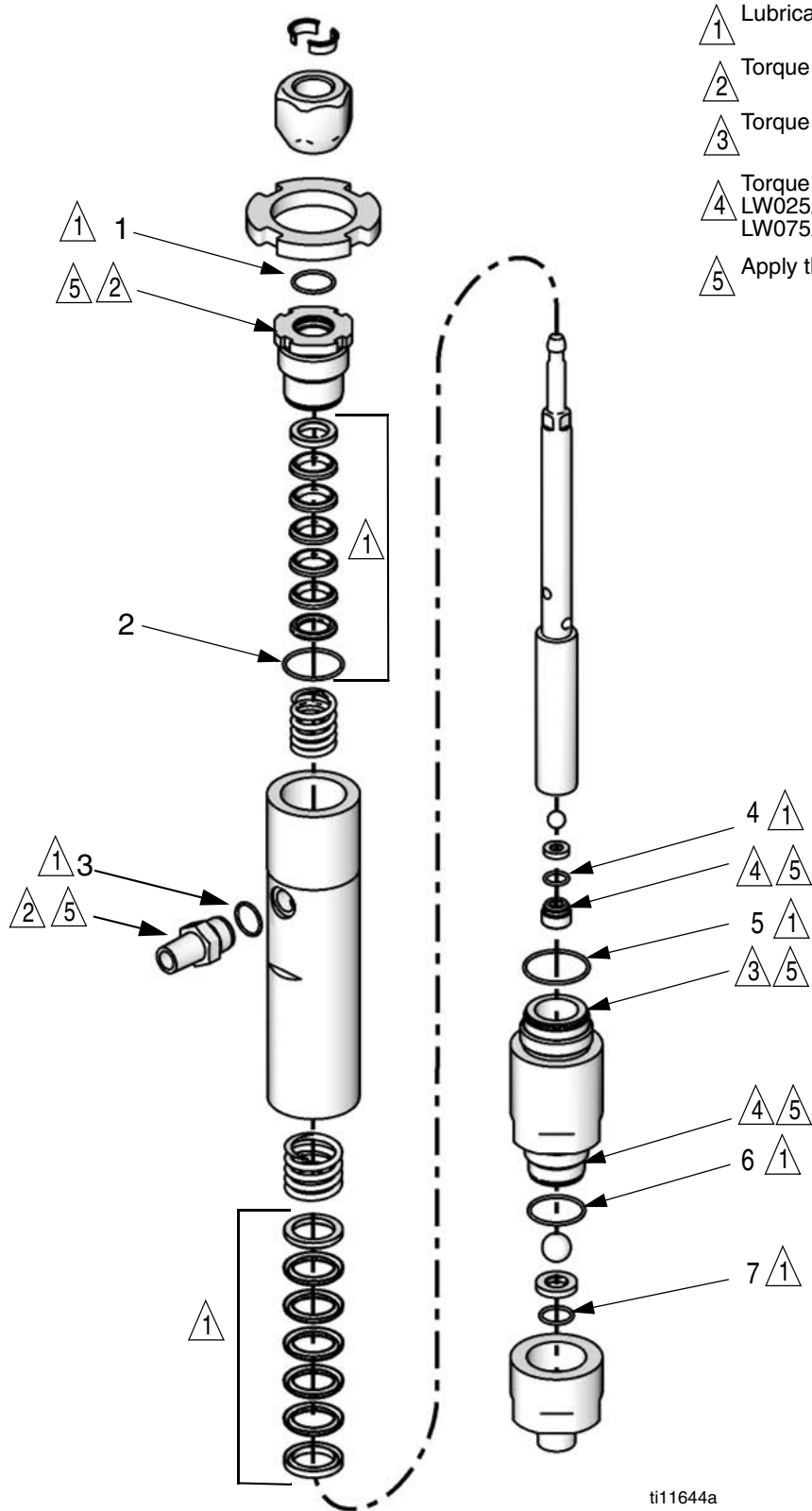
- Kit 24H200, LB025x (25cc) pumps**
- Kit 24H201, LB050x (50cc) pumps**
- Kit 24H202, LB075x (75cc) pumps**
- Kit 24H204, LB100x (100cc) pumps**
- Kit 24H205, LB125x (125cc) pumps**
- Kit 24H206, LB150X (150cc) pumps**

Ref	Description	OD in. (mm)						Qty
		24H200 (25cc)	24H201 (50cc)	24H202 (75cc)	24H204 (100cc)	24H205 (125cc)	24H206 (150cc)	
1	O-RING, wet cup, top	0.9 (23)	1.4 (36)	1.4 (36)	1.6 (41)	1.9 (48)	1.9 (48)	1
2	O-RING, wet cup, bottom	1.3 (33)	1.6 (41)	1.7 (43)	2.0 (51)	2.3 (58)	2.3 (58)	1
3	O-RING, outlet fitting	0.6 (15)	0.6 (15)	0.6 (15)	0.6 (15)	0.8 (20)	0.8 (20)	1
4	O-RING, piston	0.5 (13)	0.5 (13)	0.9 (23)	0.9 (23)	0.9 (23)	0.9 (23)	1
5	O-RING, lower cylinder, top	1.4 (36)	1.8 (46)	2.0 (51)	2.4 (61)	2.6 (66)	2.7 (69)	1
6	O-RING, lower cylinder, bottom	1.2 (30)	1.6 (41)	1.9 (48)	1.9 (48)	2.3 (58)	2.3 (58)	1
7	O-RING, intake valve	0.8 (20)	0.8 (20)	0.8 (20)	0.8 (20)	1.0 (25)	1.0 (25)	1

Graco Inc. P.O. Box 1441 Minneapolis, MN 55440-1441

Original instructions. This manual contains English. MM 406904

Copyright 2010, Graco Inc. is registered to ISO 9001



- △1 Lubricate.
- △2 Torque to 58-62 ft-lb (78-84 N•m)
- △3 Torque to 95-105 ft-lb (128-142 N•m)
- △4 Torque varies by lower size.  
LW025A-LW050A: 58-62 ft-lb (78-84 N•m)  
LW075A-LW150A: 78-82 ft-lb (105-111 N•m)
- △5 Apply thread lubricant.

ti11644a