

Valve Stack Rebuild Kits

406910B


EN


To rebuild color valve stacks used with ProMix® 2KE Electronic Proportioners.
For professional use only.

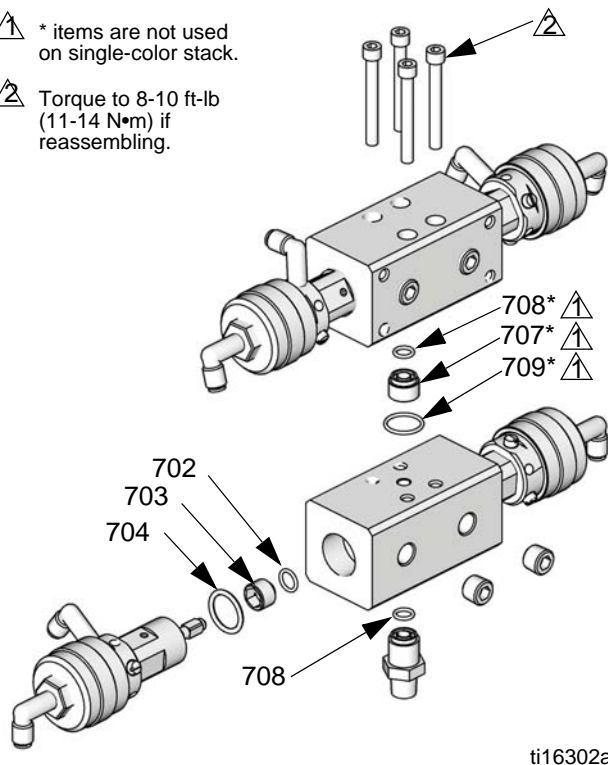


Important Safety Instructions

Read all warnings and instructions in this manual and in your ProMix 2KE manuals. Save all instructions.

 * items are not used on single-color stack.

 Torque to 8-10 ft-lb (11-14 N•m) if reassembling.



ti16302a

24H254

Ref.	Description	Qty
702	O-RING	4
703	RETAINER, seat, dump valve, sst	4
704	O-RING, PTFE	4
707	SPACER, manifold, sst	1
708	O-RING, PTFE	2
709	O-RING	1

264187

Ref.	Description	Qty
702	O-RING	4
703	RETAINER, seat, dump valve, peek	4
704	O-RING, PTFE	4
707	SPACER, manifold, sst	1
708	O-RING, PTFE	2
709	O-RING	1

Graco Inc. P.O. Box 1441 Minneapolis, MN 55440-1441

Original instructions. This manual contains English. MM 406910

Copyright 2010, Graco Inc. is registered to ISO 9001

Revision B, October 2016