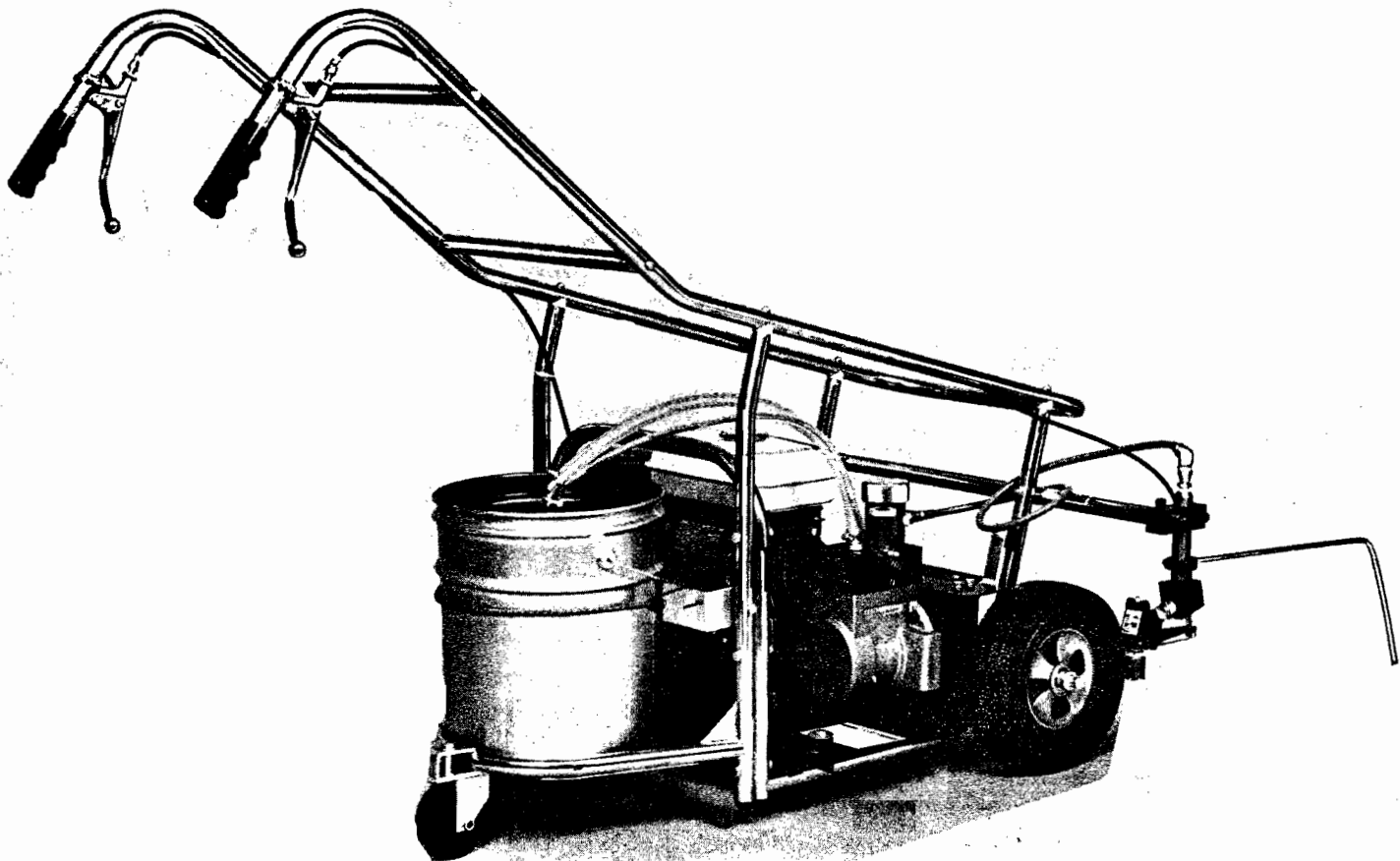


OPERATOR'S MANUAL



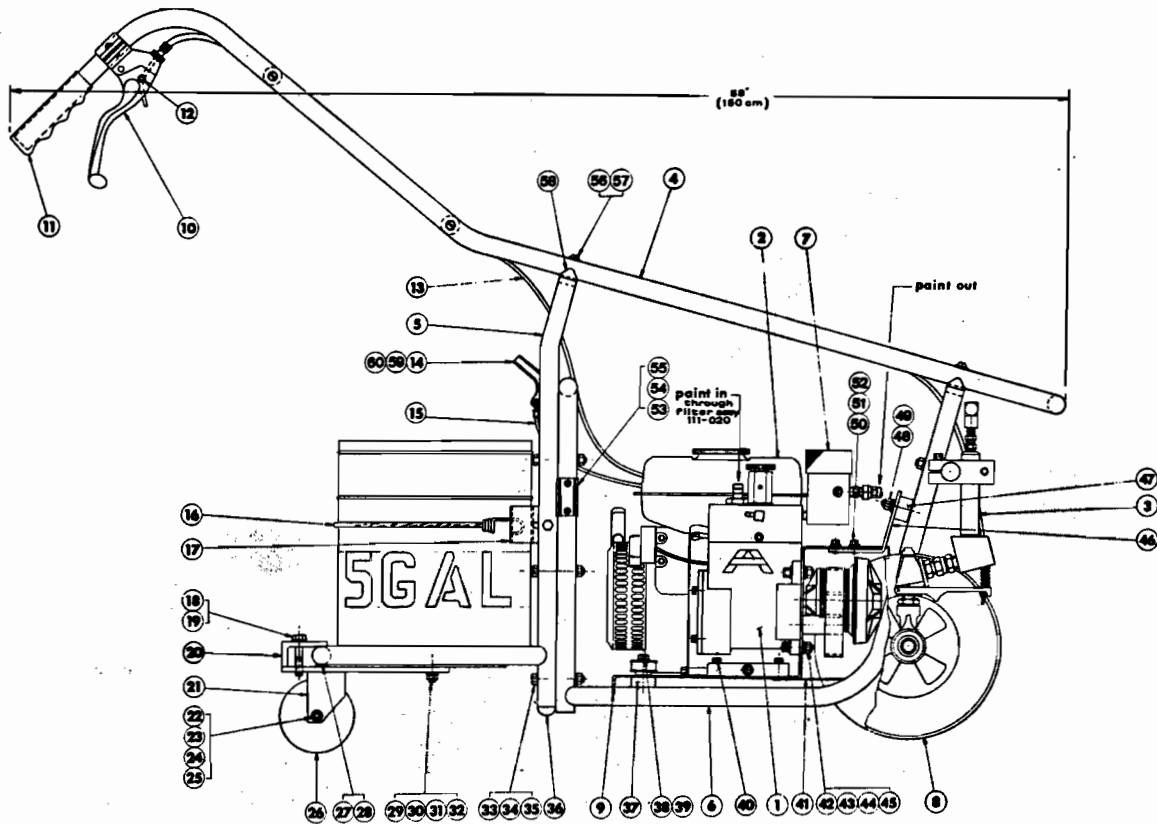
3100GS STRIPER

AIRLESSCO®

**MODELS 3100GS, 3100GST
OPERATIONAL MANUAL
AND PARTS LIST**

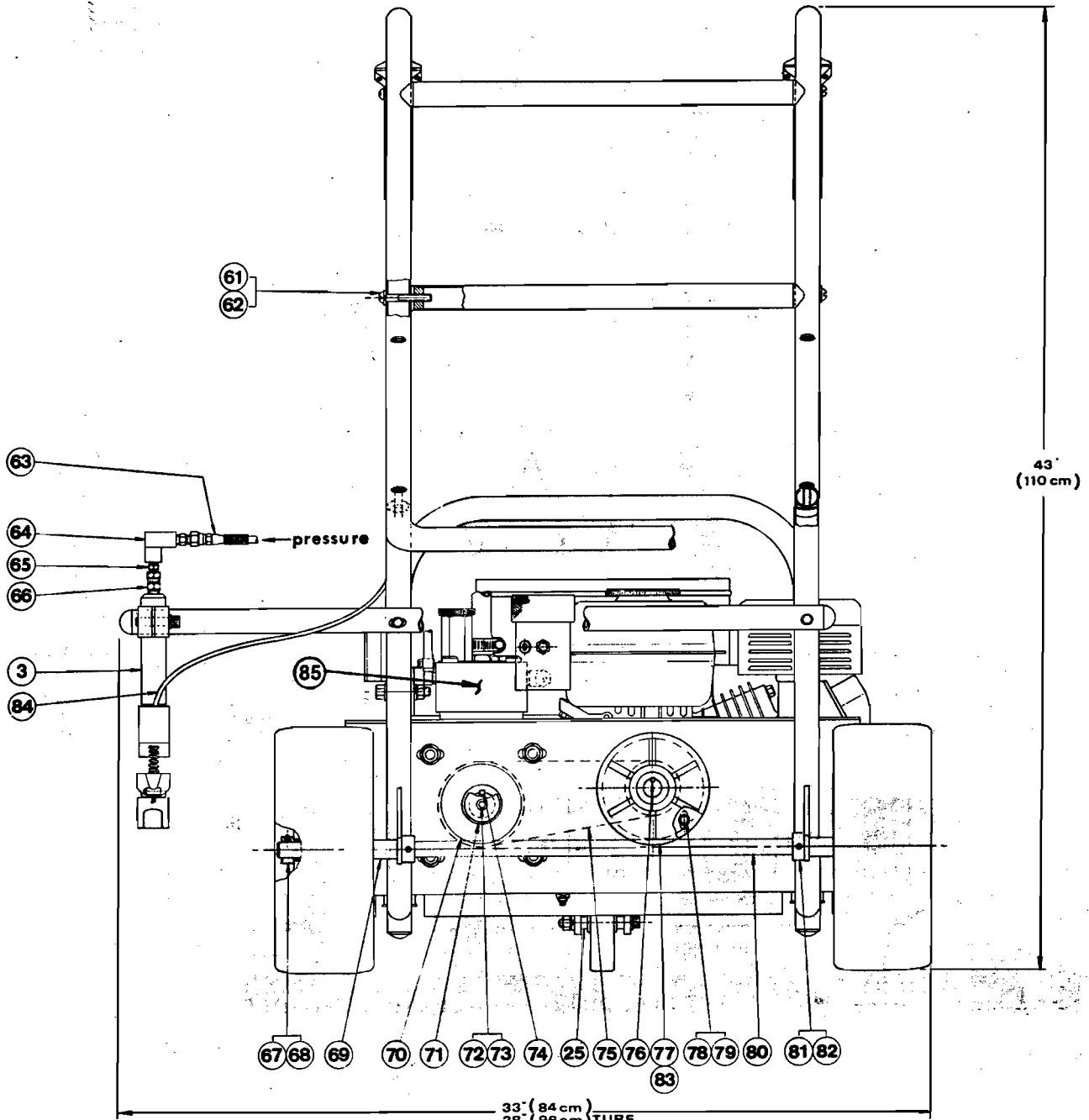
5397 COMMERCE AVENUE, MOORPARK, CALIFORNIA 93021-1764 • (805) 523-0211

3100GS PARTS LIST – SIDE VIEW



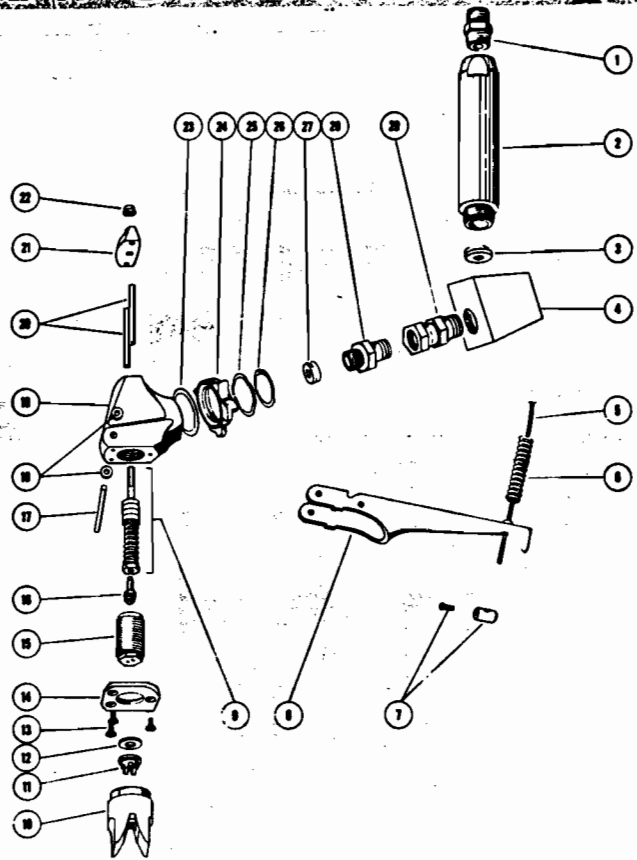
REF. NO.	PART NO.	QTY.	DESCRIPTION	REF. NO.	PART NO.	QTY.	DESCRIPTION
1		1	Airlessco 3100 Pump Ass'y	31	140-029	1	Flat Washer
2	146-001	1	Engine, Honda 3.5 HP	32	140-058	1	Nut
3	136-018	1	Gun Ass'y	33	140-050	6	Screw
4	136-006	1	Handle	34	113-027	6	Lock Washer
5	136-005	1	Frame Weldment	35	113-022	6	Nut
6	136-015	1	Main Frame Weldment	36	143-027	2	Ball Glide
7	136-022	1	Filter Ass'y	37	140-028	2	Shock Mount
8	136-035	2	Wheel	38	140-050	2	Screw
9	140-013	1	Skid	39	113-023	2	Lock Washer
10	136-041	2	Trigger Lever	40	143-021	4	Screw
11	171-019	2	Grip	41	140-006	1	Belt Guard
12	136-023	2	Cable End Lug	42	140-033	4	Screw
13	136-043	1	Cable Ass'y	43	140-034	4	Flat Washer
14	183-002	1	Control Lever	44	140-035	4	Lock Washer
15	136-077	1	Cable Ass'y	45	140-051	4	Nut
16	136-028	1	Bungie Cord	46	140-014	2	Bracket
17	136-027	1	Bucket Holder	47	140-030	2	Shock Mount
18	171-008	2	Bolt	48	113-023	2	Lock Washer
19	140-035	2	Washer	49	113-022	2	Nut
20	136-008	1	Angle	50	113-023	4	Lock Washer
21	136-030	1	Caster Ass'y	51	140-029	4	Flat Washer
22	136-033	1	Screw	52	140-036	4	Screw
23	140-035	1	Lock Washer	53	111-036	1	Clamp
24	140-051	1	Nut	54	111-037	2	Screw
25	140-034	1	Flat Washer	55	113-027	2	Washer
26	136-032	1	Caster Wheel	56	143-024	4	Screw
27	136-014	1	Spacer	57	140-048	4	Lock Washer
28	120-023	2	Screw	58	136-050	6	Tube Spacer
29	136-091	1	Screw	59	111-037	2	Screw
30	113-023	1	Lock Washer	60	111-027	2	Washer

3100GS PARTS LIST - FRONT VIEW



REF. NO.	PART NO.	QTY.	DESCRIPTION	REF. NO.	PART NO.	QTY.	DESCRIPTION
61	143-024	4	Screw	73	113-023	1	Lock Washer
62	140-048	4	Lock Washer	74	140-032	1	Key
63	100-012	1	Whip Hose	75	140-031	1	Belt
64	136-082	1	Elbow	76	112-017	1	Key
65	115-019	4	Hose Connector	77	136-045	1	Clutch
66	100-003	2	Swivel Nut	78	140-036	4	Screw
67	143-029	2	Set Collar	79	113-023	4	Lock Washer
68	143-030	2	Set Screw	80	136-088	1	Axle
69	143-011	2	Spacer	81	143-029	2	Set Collar
70	182-004	1	Pulley	82	143-030	2	Set Screw
71	140-027	1	Washer	83	136-048	1	Pulley
72	112-009	1	Screw	84	136-076	1	Cable Assy
				85	115-101	1	Pump Head Assy

3100GS SPRAY GUN ASSEMBLY



REF.NO.	PART NO.	QTY.	DESCRIPTION	REF.NO.	PART NO.	QTY.	DESCRIPTION
1	115-019	1	Connector	15	120-035	1	Valve Seat
2	120-003	1	Handle	16	120-037	1	Valve Ball with Holder
3	115-012	1	Nylon Washer	17	120-022	1	Trigger Pin
4	136-020	1	Adapter Elbow	18	120-046	2	Washer
5	136-076	1	Cable-Conduit Assy.	19	120-002	1	Gun Head
	136-011	1	Cable-Conduit Assy. "Turf"	20	120-045	2	Retainer Pin
6	136-067	1	Spring	21	120-020	1	Retainer
7	136-023	1	Cable End Lug	22	120-021	1	Nut
8	136-105	1	Trigger	23	120-056	1	Washer
9	120-011	1	Valve Spring Unit	24	120-048	1	Lock
10	120-036	1	Tip Holder with Guard	25	120-055	1	Wavey Washer
11	102-1504	1	Spray Tip (see tip selection chart)	26	120-049	1	Retaining Ring
12	120-008	1	Tip Washer	27	136-010	1	Washer
13	120-023	3	Screws	28	136-021	1	Adapter Fitting
14	136-063	1	Spacer	29	100-005	1	Swivel Nut

CLUTCH ASSEMBLY - Clutch with pulley Part No. 136-045 Available on exchange program

Periodically the clutch assembly needs adjustment.

1. Loosen set screws (D1) on front of the clutch housing (D2).
2. Insert feeler gauge (0.016th) between the clutch pads and the pulley (D3).
3. Turn clutch housing clockwise until pad and pulley touch feeler gauge.
4. Tighten set screws, making sure they align with slots in the shaft.

