

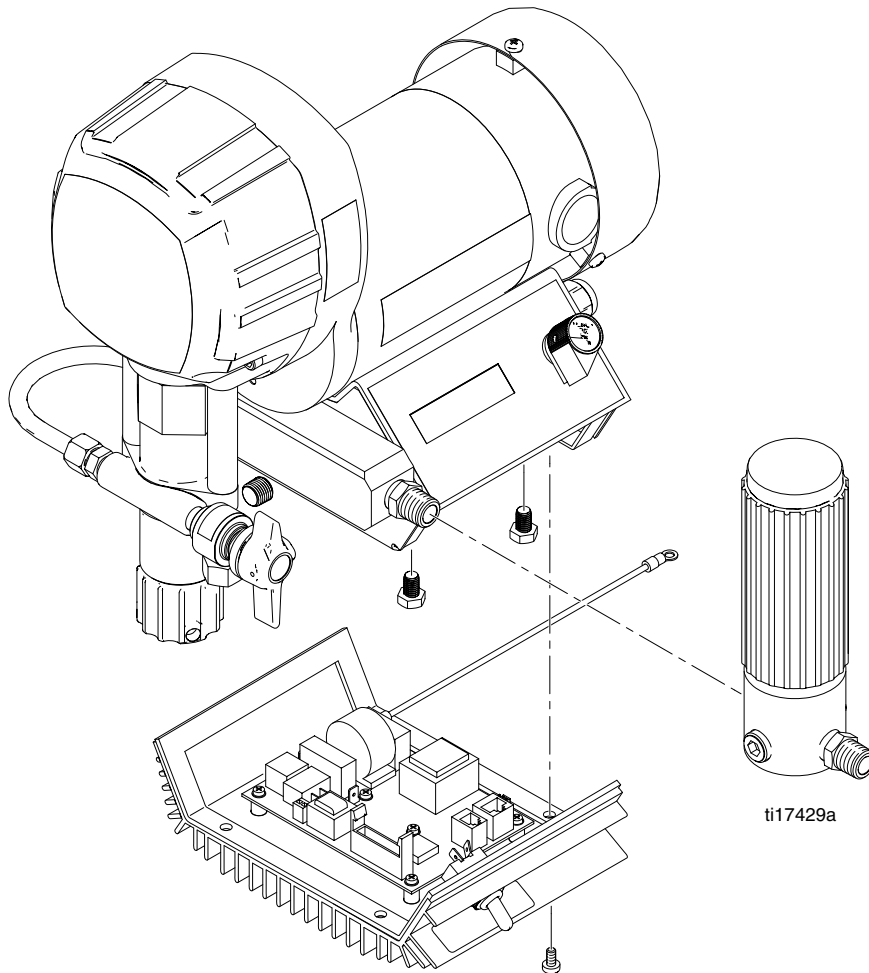
Control Board Conversion Kit For Airlessco LP Sprayers

3A1885A
ENG



IMPORTANT SAFETY INSTRUCTIONS

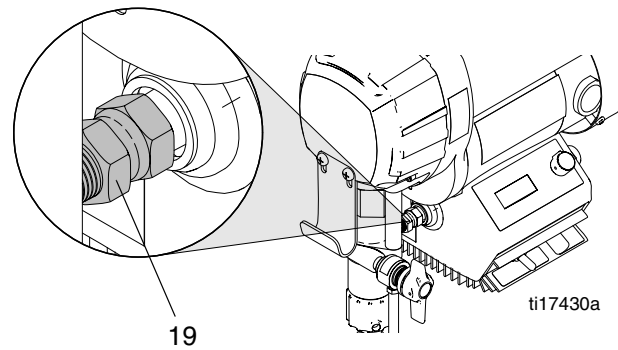
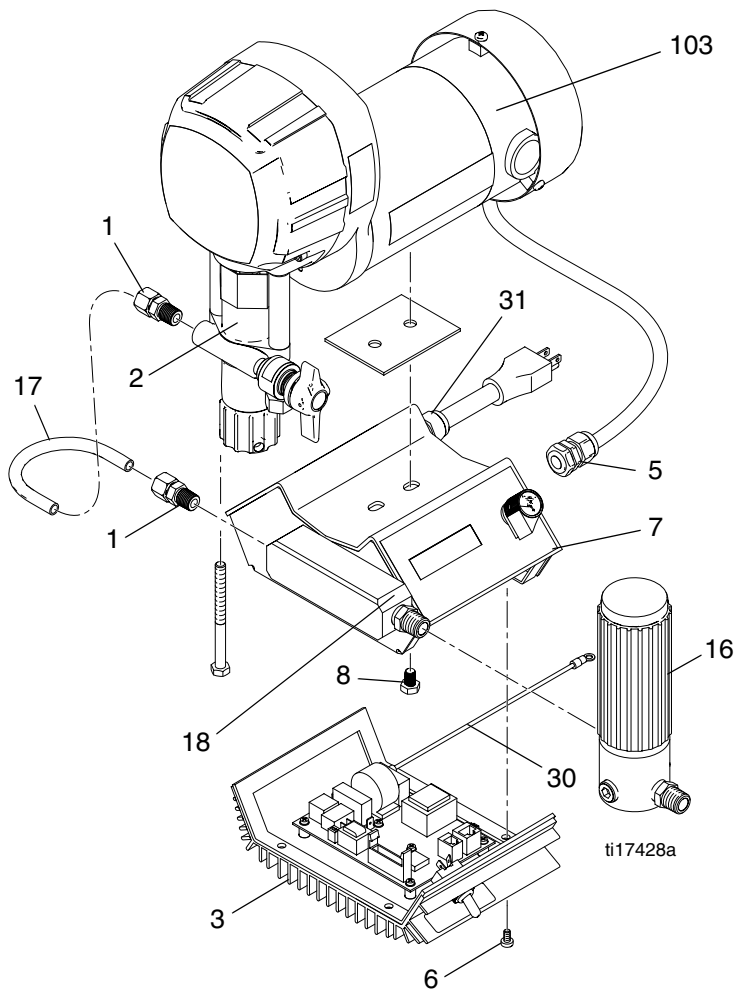
For detailed sprayer information and warnings, see the Operation manual included with your sprayer.



Removal

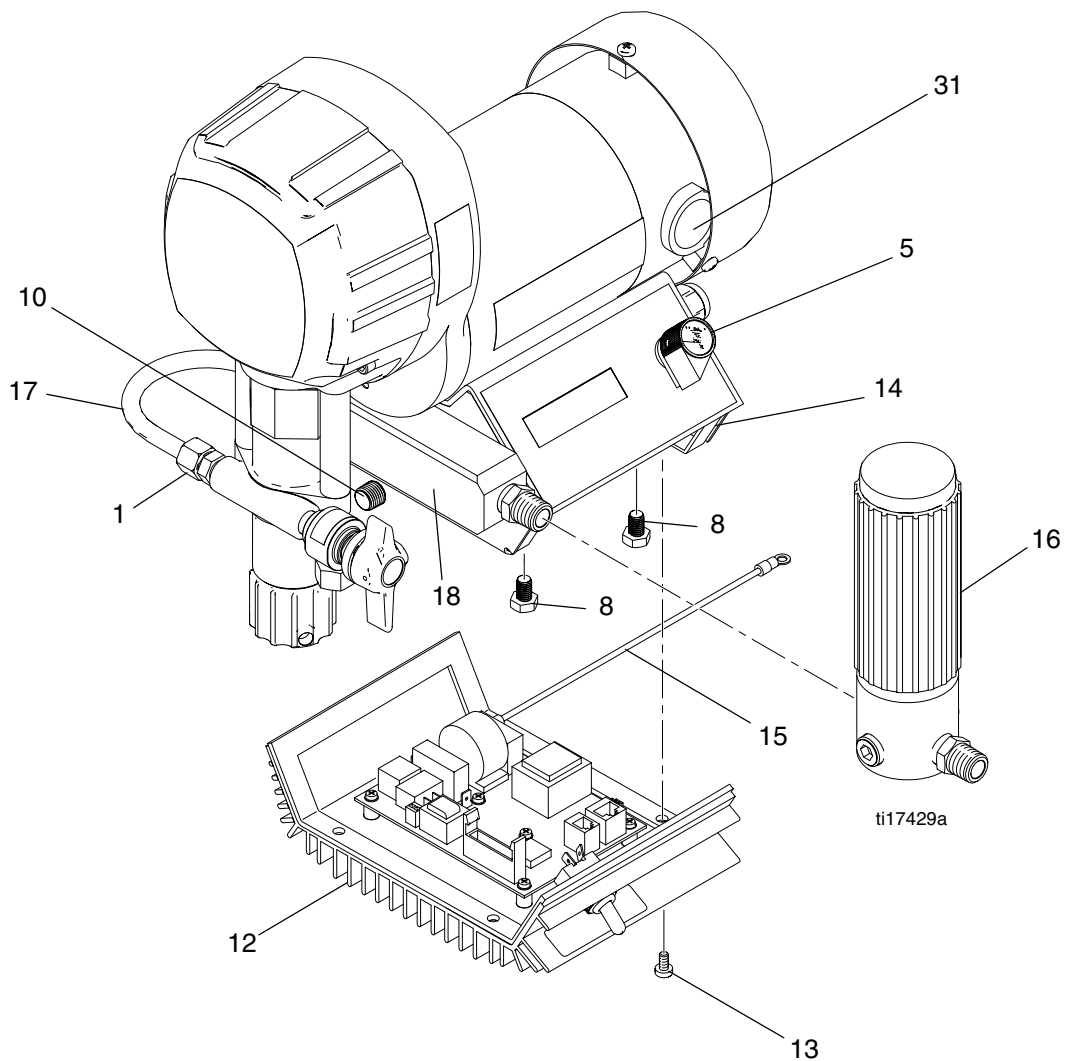
NOTE: If unit has fitting (1), tube (17) and manifold (18).

1. Disconnect power cord from outlet.
2. Remove fitting (1) which connects terminal box (7) to pump (2) and fitting (1).
3. Remove screws (6) to remove heatsink (3). Disconnect board wire connectors and motor wire connectors, then disconnect ground wire (30) from terminal box (7).
4. Remove wire strain reliefs (5, 31) and pull out the wires from terminal box (7).
5. Remove two screws (8) then remove terminal box (7) from motor (103).
6. If unit has fitting (19) instead of (1, 17, and 18), remove fitting (19).

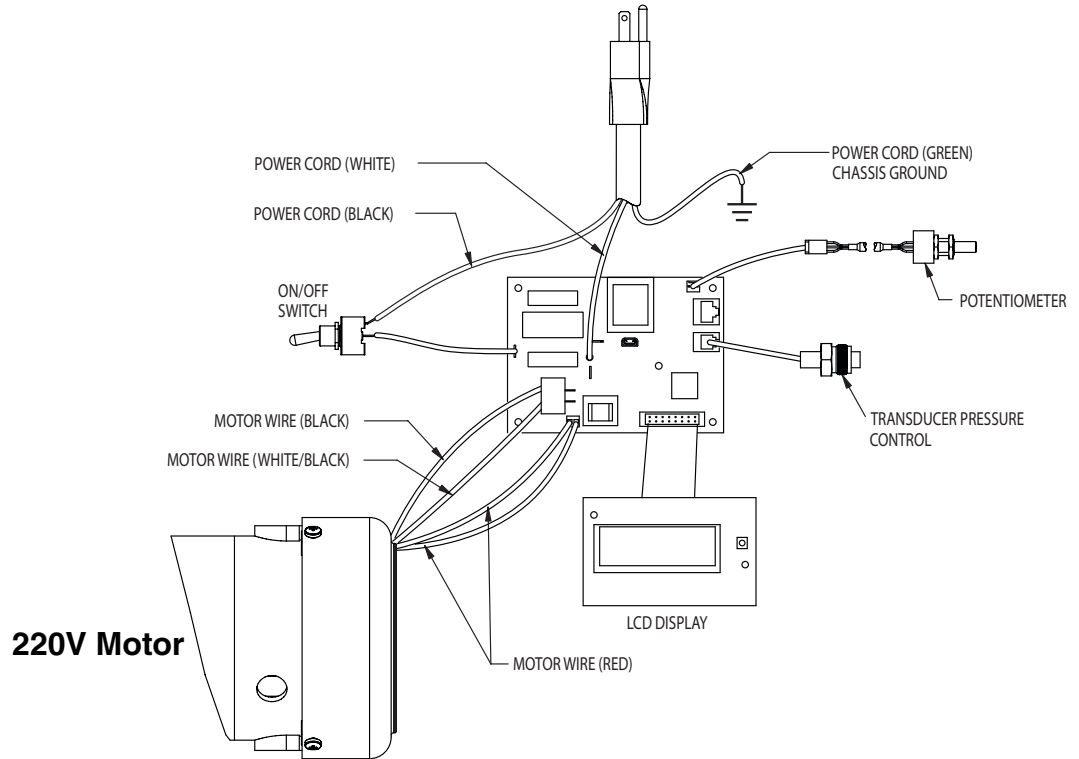
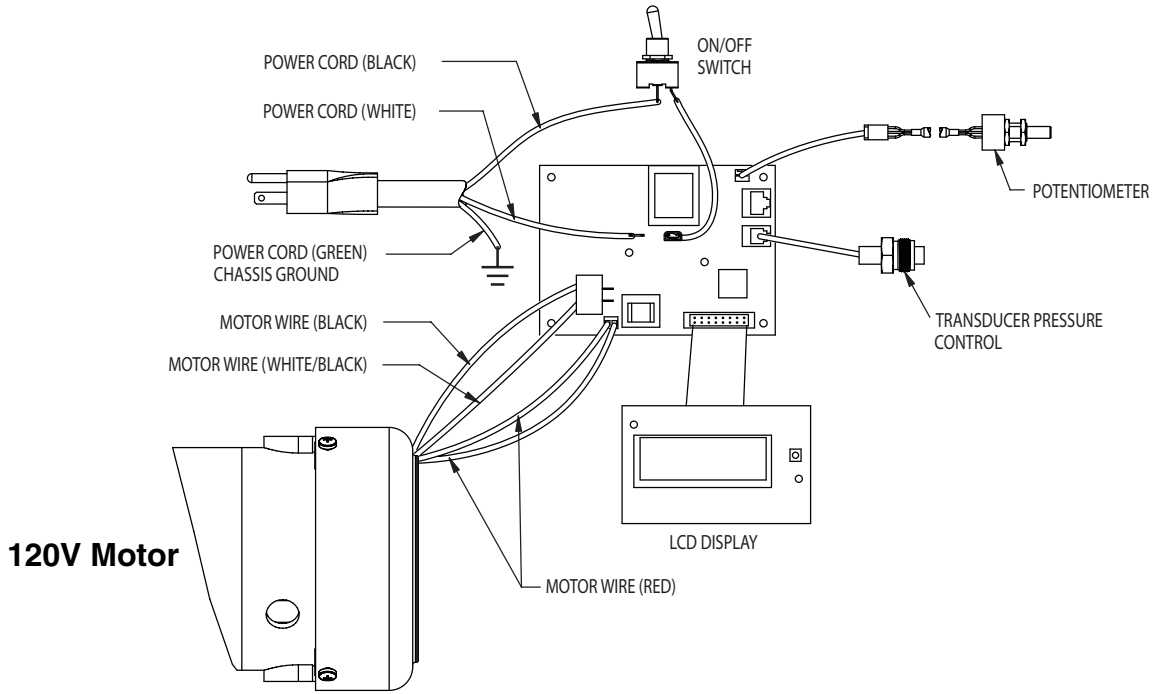


Assembly

1. Remove screws (13) to detach new heatsink (12) from new terminal box (14).
2. Hand-tighten screws (8) to attach new terminal box (14) to motor (103).
3. Assemble tube fitting (1) to pump (2). Adjust position of terminal box to align other fitting on tube (17) with fluid manifold (18).
4. Use wrench to fully tighten screws (8).
5. Route cord wires and motor wires into terminal box (14). Assemble strain relief (5) to terminal box.
6. Attach ground wire (15) to the inside of new terminal box (next to power cord).
7. Connect cord wires, motor wires (route wires to control board according to Wiring Diagram) then tighten screw (13) to secure heatsink (12).
8. If unit has filter (16), move filter from told terminal box to new terminal box (14).



Wiring Diagrams



TO PLACE AN ORDER OR FOR SERVICE, contact your Airlessco distributor,
 or call 1-800-223-8213 to identify the nearest distributor.

*All written and visual data contained in this document reflects the latest product information available at the time of publication.
 Airlessco reserves the right to make changes at any time without notice.*

This manual contains English. MM 3A1885
Airlessco, 3501 N. 4th Avenue, Sioux Falls, SD 57104
www.airlessco.com

05/2011