



Heated Fluid Regulator

Provides Precision Dispense for Therm-O-Flow® Systems



Maintains fluid pressure for consistent bead control

- Provides consistent bead width without pump cross-over effects
- Precise output and superior material delivery rates
- Dual element heater provides controlled temperature – no material charring or plugging
- For hot-melt adhesives and non-water-based temperature conditioned sealants and adhesives
- Precision pressure control from 200 to 3000 psi

PROVEN QUALITY. LEADING TECHNOLOGY.



Regulates fluid pressure for sealants and viscous materials

Technical Specifications

Maximum fluid working pressure	3000 psi (21 MPa, 210 bar)
Regulated fluid pressure range	200-3000 psi (1.4-21 MPa, 14-210 bar)
Maximum flow rate	1.2 gpm (4.56 lpm)*
Maximum fluid temperature	400°F (204°C)
Voltage	230/240 Vac
Wattage	220 W
Resistance temperature detector	(platinum RTD; 0.00385 ohm/ohm/°C) 108.2 ohms @ 70°F
Heater resistance individually	524 ohms, + 53/- 26 ohms
wired in parallel	262 ohms, + 26/- 13 ohms
Fluid inlet	3/8 npt(f)
Fluid outlet	3/8 npt(f)
Optional fluid outlet	1/4 npt(f)
Weight	6.5 lb (2.9 kg)
Wetted parts	Tungsten carbide, copper, cadmium and zinc-plated steel, PTFE, chrome-plated stainless steel
Manual	312396

*Maximum rated flow rate @ 3000 psi with PSA material. Flow rate will vary depending on pressure and type of material.

Long life

Tungsten carbide ball and seat design for maximum life in abrasive materials

Manual pressure adjustment screw

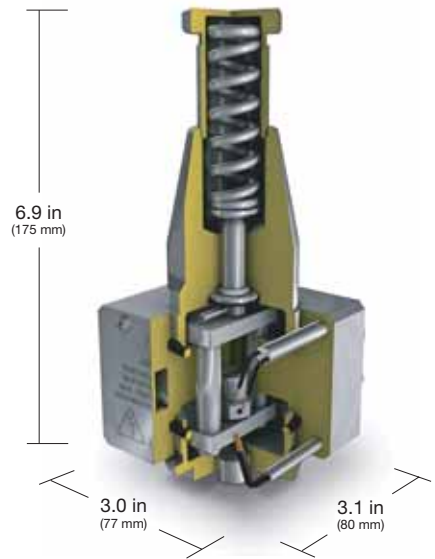
Includes visible pressure range adjustments

Dual 100W heaters

For rapid heating and stable temperature control

Compact size

For in-line mounting near dispense point offering consistent bead control



Ordering Information

Graco Heated Fluid Regulator

289208 Heated Fluid Regulator

Accessories

C34137 Fitting insulation, 1/8 in (3 mm) thick x 2 in (51 mm) wide. Sold by the foot

C33049 Adhesive tape, high temp for securing insulation (C34137), 1 in (25 mm) x 108 ft (33 m)

198422 Wrap, velcro, 10 in x 10 in (250 mm x 250 mm). Covers electrical connection on heated hose

198442 Strap, velcro. Use two around ends of wrap (198422) for security

113654 Fluid pressure gauge; 0-5000 psi (0-35 MPa, 0-350 bar); 1/4 npt(m) SST

196315 15 ft (4.57 m) cable, 16 pin to 8 pin extension cable

196316 25 ft (7.62 m) cable, 16 pin to 8 pin extension cable



Contact us today!

To receive product information or to request a hands-on demonstration, call 1-877-84GRACO or visit us online at www.graco.com.