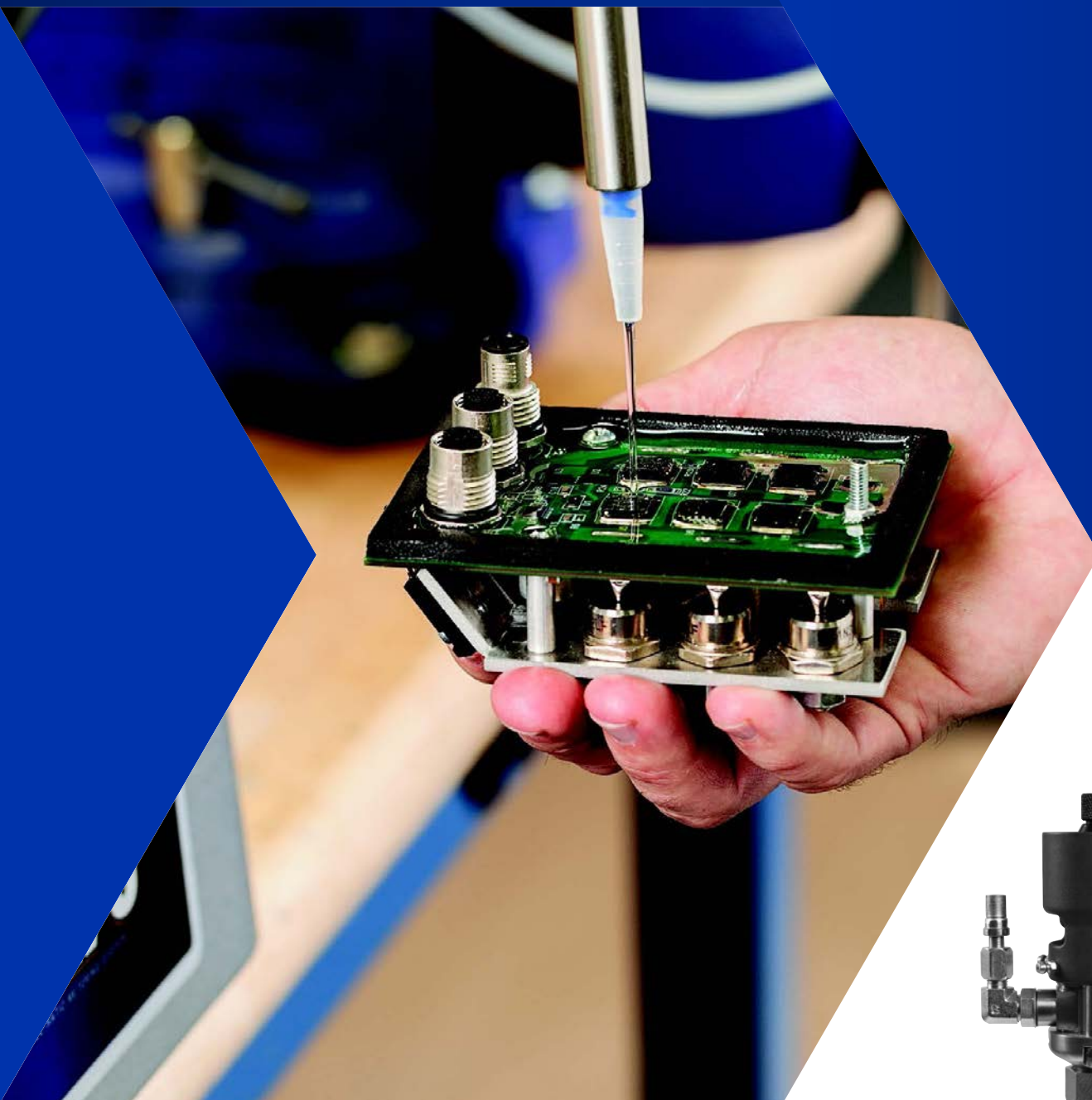




# MD2 DISPENSE VALVE

For Accurate Two-Component Dispensing



PROVEN QUALITY. LEADING TECHNOLOGY.

# MD2 DISPENSE VALVE

## FOR ACCURATE TWO-COMPONENT DISPENSING

### RELIABLY DISPENSES AND MIXES PLURAL-COMPONENT SEALANTS AND ADHESIVES

#### IDEAL TWO-COMPONENT STATIC MIXING VALVE FOR DISPENSING APPLICATIONS

High pressure dispense with multiple seat styles and adjustable snuff back for clean, precision dispense

- Minimizes maintenance time and costs while maximizing dispense time
- Handles a wide range of materials
- Complete modular design adapts to different installation needs

#### ELITE CONSTRUCTION

MD2 Valves with Elite construction withstand the most abrasive thermal interface materials (TIMs), silicones, urethanes, and epoxies. With wear-resistant seals and surfaces, Elite MD2 Valves last at least 10 times longer than standard valve construction. \*



#### Grease Isolation Chamber

- Ideal for moisture-sensitive materials
- Accessible grease fittings for easy maintenance

#### All-SST Wetted Section

Maximizes material compatibility

#### Two Nose Options

1:1 and 10:1 ratio available

#### Independent Air Cylinder

Improves mean time to repair (MTTR)

#### Adjustable Snuff-back Control

Fine-tune the shut-off performance for clean bead dispensing

#### Shaft Construction

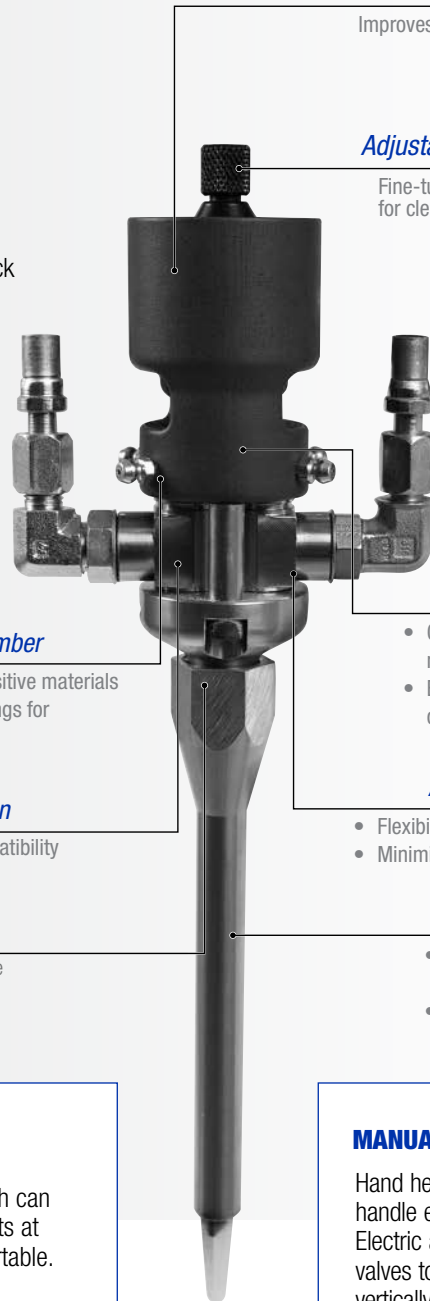
- Chromex™ for dispensing non-abrasive materials
- Elite construction for dispensing abrasive materials

#### Adjustable Inlet Position

- Flexibility during system installation
- Minimizes dead spaces in fluid path

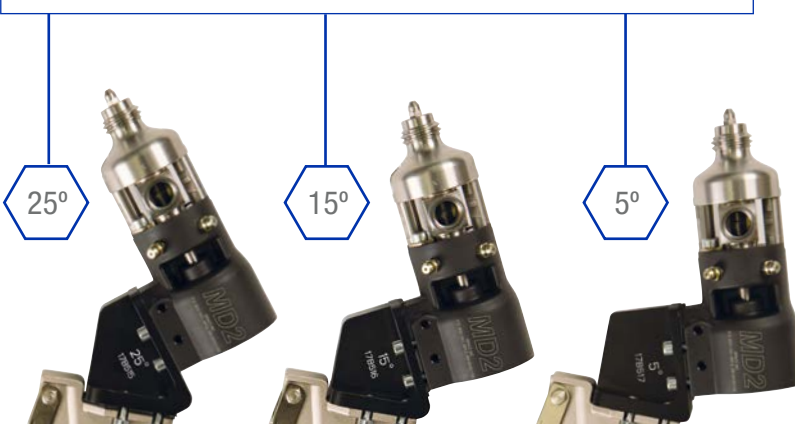
#### Dispense Flexibility

- Variety of shrouds and static mixers available
- Must be ordered separately



#### DISPENSE AT A MORE COMFORTABLE ANGLE

Certain applications require challenging dispense angles, which can create an ergonomic stress for the operator. Angled adapter kits at 25°, 15° and 5° angles make your the easier and more comfortable.



#### MANUAL DISPENSE OPTIONS

Hand held pneumatic or electric handle eases manual dispense. Electric actuated lever converts valves to dispense hanging vertically for improved ergonomics.



\*Data verified when pumping representative thermal interface material (TIM) in Graco test environment.

# TECHNICAL SPECIFICATIONS

MODEL	MD2 VALVE
MAXIMUM FLUID PRESSURE	3000 psi (276 bar, 27.6 MPa)
MAXIMUM CYLINDER AIR PRESSURE	120 psi (8.4 bar, 0.84 MPa)
MINIMUM AIR CYLINDER ACTUATING PRESSURE	40 psi (2.8 bar, 0.3 MPa)
MAXIMUM WORKING FLUID TEMPERATURE	140°F (60°C)
WETTED PARTS	stainless steel, carbide, UHMWPE, acetal, PEEK, PTFE
GUN WEIGHT	1.45 lbs (0.66 kg)
DIMENSION	6.64 in L x 2.32 in W x 2.25 in D (168.7 mm L x 59 mm W x 57 mm D)
FLUID INLETS	9/16-18 UNF (f) (06 SAE)
AIR INLETS	1/8 in NPT
INSTRUCTION MANUAL	312185

## ORDERING INFORMATION

### VALVE OPTIONS

255179	1:1 soft seat, adjustable snuff-back
255180	1:1 hard seat, non-adjustable snuff-back
255181	10:1 soft seat, adjustable snuff-back
255182	10:1 hard seat, non-adjustable snuff-back
255183	1:1 cold spray/joint fill valve
255900	1:1 Elite w/hard seats, adjustable stroke, forward acting
255901	1:1 Elite w/hard seats, non-adjustable snuff-back
255902	10:1 Elite w/hard seats, non-adjustable snuff-back

### MANUAL GUN OPTIONS

255442	1:1 hard seat, air-actuated gun, non-adjustable snuff-back, manual handle
255445	10:1 hard seat, air-actuated gun, non-adjustable snuff-back, manual handle
255443	1:1 hard seat, electric actuated, non-adjustable snuff-back, manual handle
255446	10:1 hard seat, electric actuated, non-adjustable snuff-back, manual handle
255444	1:1 hard seat, electric actuated, non-adjustable snuff-back, manual lever
255447	10:1 hard seat, electric actuated, non-adjustable snuff-back, manual lever
LC0004	1:1 soft seat, electric actuated, non-adjustable snuff-back, manual handle
LC0006	10:1 soft seat, electric actuated, adjustable snuff-back, manual handle
LC0005	1:1 soft seat, electric actuated, non-adjustable snuff-back, manual lever
LC0007	10:1 soft seat, electric actuated, adjustable snuff-back, manual lever

*Additional kitted models can be found in the HFR manual, 3A0237, PR70 manual, 334135, and AGP manual, 332452*

### MANUAL DISPENSE OPTIONS

255208	Handle – Electric
255206	Handle – Pneumatic
255249	Lever – Electric
255273	Hanger adapter

### MD2 ANGLE KITS

24W045	25° angle adapter kit
24W046	15° angle adapter kit
24W047	5° angle adapter kit



SCAN FOR MORE INFORMATION  
[GRACO.COM/MD2](https://graco.com/md2)



## OUR BRAND PROMISE TO YOU

Since 1926, **innovation**, **quality** and **A+ Service** have been at the centre of Graco.

### Experience Innovation

Our focus on innovation results in products and equipment that lead the industry with technologically-advanced features, pioneering design, high performance and unparalleled reliability. In short, innovation is how you get better products!

### Building Quality

You're investing in high-quality products built to last for years of reliable service. Moreover, we partner with our customers to better understand how you're deploying our products in the field, then use your experiences to improve performance and durability.



### A+ service, every time

You'll see A+ Service in action when you contact any of our support services options no matter where you are in the world. We'll listen to your situation and work methodically to resolve it as quickly as we can. We are guided by a mindset of integrity and a customer service view centred on collaboration and relationships, not transactions.



We're here to answer questions and help address your needs:

[www.graco.com/contact](http://www.graco.com/contact)

Graco is certified ISO 9001.

©2022 Graco Distribution BV 339117ENEU-B 12/23. Printed in Europe.

All written and visual data contained in this document are based on the latest product information available at the time of publication. Graco reserves the right to make changes at any time without notice.

All other brand names or marks are used for identification purposes and are trademarks of their respective owners. For more information on Graco's intellectual property, see [www.graco.com/patent](http://www.graco.com/patent) or [www.graco.com/trademarks](http://www.graco.com/trademarks).