



EP™ Pour Gun

Next Generation Polyurethane Mixhead



Innovative air-powered pour gun simplifies mixhead rebuilds

- Includes rebuild kit for quick, easy maintenance
- Offers both manual and automated application modes
- For open pour applications
- Mechanically self-cleaning - eliminates costly solvent flushing
- Provides flow rates of 1 to 50 lb/min (0.45 to 22.7 kg/min)

PROVEN QUALITY. LEADING TECHNOLOGY.

Graco EP Pour Gun

Economy and Performance

EP

The Graco EP™ Pour Gun is sure to change the way the industry thinks about mixheads. That's because it's engineered to be reliable, light, versatile – with features and technology that reduce your cost of ownership in the long run.

Low initial investment

- Designed to perform like a hydraulic mixing head, without the power pack, therefore lowering your initial investment

Easy, do-it-yourself mixhead rebuilds save money

- Lower capital outlay and rebuild costs
- Updated technology allows for on-site rebuilds
- Reduces downtime
- Eliminates expense of backup mixheads

Flexible – handles multiple materials

- Processes both rigid and flexible polyurethanes
- Handles filled materials

Accurate, on-ratio dispensing

- Maintains accurate mix ratio – without the need for circulation in the head of the gun

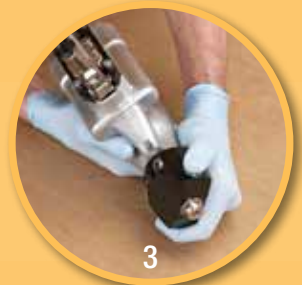
Lightweight, great performance

- Responsive trigger delivers repeatable and accurate shots
- Weighs 6.4 to 7.4 lb (2.9 to 3.4 kg)
- Manual and automated capabilities

Compatible with multiple proportioners

- Graco HFR Metering System™
- Reactor® IPH-25 and IPH-40

Easy Mixhead Rebuilds



Powerful pneumatic design improves uptime

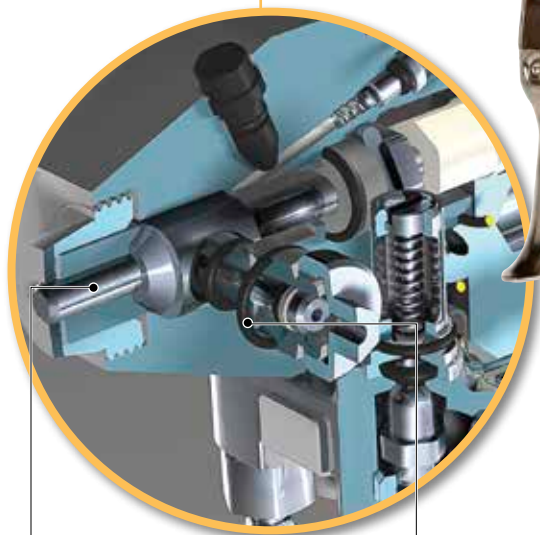
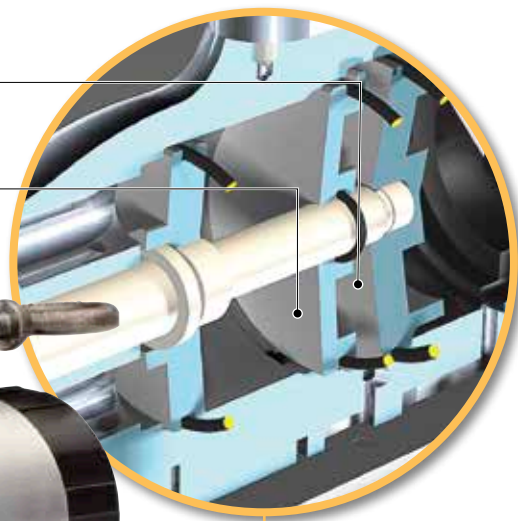
- Reduces sticking of the purge rod

Dual piston technology

- Reduces system costs by eliminating mixhead hydraulic power pack

Orifice and needle design adds flexibility

- Easy adjusted to deliver the exact material mix for your process
- Provides wide range of flow rates – up to 50 lb/min (22.7 kg/min)



Purge rod prevents sticking

- Lubricated purge rod reduces material sticking
- More uptime, better reliability
- Eliminates costly solvent flushing

Long-lasting impinger inserts

- Durable stainless steel impinger inserts for less maintenance
- Multiple flow rate and ratios – 1:1 to greater than 5:1
- 16 sizes available for various materials



Technical Specifications & Ordering Information

Everything you need to make an informed decision

Technical Specifications

Flow rates	1 lb/min (0.45 kg/min) up to 50 lb/min (22.7 kg/min)
Max. fluid working pressure	3000 psi (207 bar, 20.7 MPa)
Min. air inlet pressure	80 psi (5.5 bar, 0.55 MPa)
Max. air inlet pressure	100 psi (6.9 bar, 0.69 MPa)
Max. fluid temperature	180°F (82°C)
Air inlet size	1/4 npt quick disconnect nipple
A component inlet size	-5 JIC, 1/2 - 20 UNF
B component inlet size	-6 JIC, 9/16 - 18 UNF

Dimensions

With handle	10.8L x 3.1W x 11.7H in (274 x 79 x 297 mm)
Without handle	10.8L x 3.1W x 6.1H in (274 x 79 x 155 mm)

Weight

With handle	7.4 lb (3.4 kg)
Without handle	6.4 lb (2.9 kg)

Materials of construction Aluminum, stainless steel, acetal, chemically-resistant o-rings, carbon steel, fluoroelastomer o-rings

Wetted parts Aluminum, stainless steel, acetal, chemically-resistant o-rings

Manual 313872

Ordering Information

Graco EP250 Pour Gun

257999	Handheld gun with 0.250 in (6.35 mm) purge rod diameter and 0.031 in (0.79 mm) orifice size
24C932	Auto gun with 0.250 in (6.35 mm) purge rod diameter and 0.031 in (0.79 mm) orifice size
24D680	Fluid Housing Kit, 0.250 in (6.35 mm)

Contact us today!

To receive product information or talk with a Graco representative, call 800-746-1334 or visit us online at www.graco.com.

