



# REACTOR<sup>®</sup> 2 INTERNALLY HEATED HOSES

## Faster to Heat, Lighter Weight, Improved Flexibility

Designed to optimize weight and flexibility while providing faster heat up times.



### DESIGNED FOR SPEED AND RELIABILITY

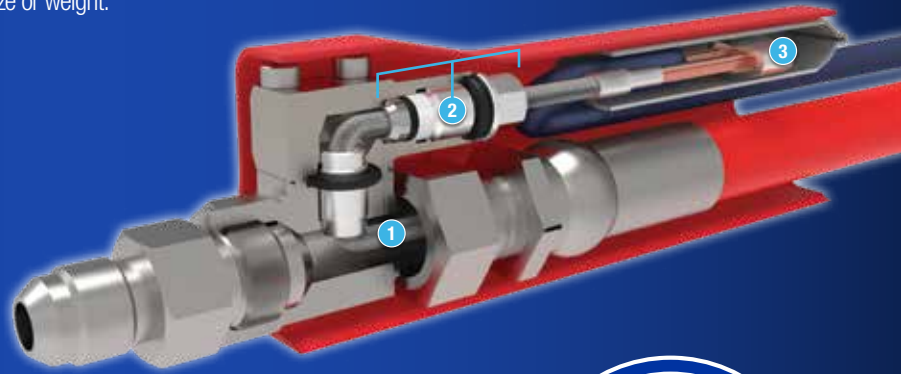
- Compatible with Reactor 2 proportioners, no new hardware required
- New hoses available in 50ft and 100ft length: Minimize fluid and electrical connections
- Optimized for Resistance Control Mode. Eliminates issues associated with temperature cables and sensors





# GRACO'S NEW INTERNAL HEATED HOSE HAS THE SMALLEST, LIGHTEST WEIGHT CONNECTIONS IN THE INDUSTRY

The robust, compact design allows the heating element to enter/exit the fluid stream at each hose joint without adding significant size or weight.



- 1 Heating Wire**  
Heating wire is located in hose ID for direct material contact and quick heating
- 2 Wire Seal Nut/Ferrule/O-ring/Bushing**  
These components allow the heating wire to transition out of fluid and provide a proper seal
- 3 Crimp Connector**  
Connects the heating wire to the multi-strand wire that allows the hose power to connect between hose joints

**INTERNAL HEATED HOSE**

**48% FASTER HEAT-UP TIME**

**35% MORE FLEXIBLE**

**25% LIGHTER WEIGHT**

## Reactor 2 Internal Heated Hoses\*

- 26D095 Hose: 3/8 in, Internal, 50 ft, Xtreme-Wrap, 2000 psi
- 26D098 Hose: 3/8 in, Internal, 50 ft, RTD, Xtreme-Wrap, 2000 psi
- 26D096 Hose: 3/8 in, Internal, 100 ft, Xtreme-Wrap, 2000 psi
- 26D099 Hose: 3/8 in, Internal, 100 ft, RTD, Xtreme-Wrap, 2000 psi



## Whip Hoses\*

- 25P770 Whip: LP, 10ft, 2000 psi
- 25P771 Whip: LP, 20ft, 2000 psi



\*Note: Internally heated hoses can not be combined with externally heated hoses. To optimize heat up time update your Reactor software 4.02.003 or greater.

## Reactor 2 Packages

### REACTOR 2 E-30\*\*



- IH2010 Package: 10kW, 100 ft int heated hose (qty 2), 20 ft whip
- IH2011 Package: 15kW, 100 ft int heated hose (qty 2), 20 ft whip
- IH2110 Package: Elite, 10kW, 100 ft int heated hose (qty 2), 20 ft whip
- IH2111 Package: Elite, 15kW, 100 ft int heated hose (qty 2), 20 ft whip

### REACTOR 2 H-30\*\*

- IHH031 Package: 10kW, 100 ft int heated hose (qty 2), 20 ft whip
- IHH032 Package: 15kW, 100 ft int heated hose (qty 2), 20 ft whip
- IHH131 Package: Elite, 10kW, 100 ft int heated hose (qty 2), 20 ft whip
- IHH132 Package: Elite, 15kW, 100 ft int heated hose (qty 2), 20 ft whip

### REACTOR 2 H-40\*\*

- IHH043 Package: 15kW, 230V, 3PH, 100 ft int heated hose (qty 3), 20 ft whip
- IHH044 Package: 20kW, 230V, 3PH, 100 ft int heated hose (qty 3), 20 ft whip
- IHH045 Package: 15kW, 400V, 3PH, 100 ft int heated hose (qty 3), 20 ft whip
- IHH046 Package: 20kW, 400V, 3PH, 100 ft int heated hose (qty 3), 20 ft whip
- IHH143 Package: Elite, 15kW, 230V, 3PH, 100 ft int heated hose (qty 3), 20 ft whip
- IHH144 Package: Elite, 20kW, 230V, 3PH, 100 ft int heated hose (qty 3), 20 ft whip
- IHH145 Package: Elite, 15kW, 400V, 3PH, 100 ft int heated hose (qty 3), 20 ft whip
- IHH146 Package: Elite, 20kW, 400V, 3PH, 100 ft int heated hose (qty 3), 20 ft whip

### REACTOR 2 H-50\*\*

- IHH053 Package: 20kW, 230V, 3PH, 100 ft int heated hose (qty 3), 20 ft whip
- IHH056 Package: 20kW, 400V, 3PH, 100 ft int heated hose (qty 3), 20 ft whip
- IHH153 Package: Elite, 20kW, 230V, 3PH, 100 ft int heated hose (qty 3), 20 ft whip
- IHH156 Package: Elite, 20kW, 400V, 3PH, 100 ft int heated hose (qty 3), 20 ft whip

\*\*All Reactor 2 packages include 100 ft hose part number 26D096 and whip hose 25P771.

## Hose Packages\*\*\*



- R2I170 R2 IHH 170 ft Package, Whip: 25P771, Hoses: 26D096: Qty 1, 26D095: Qty 1
- R2I220 R2 IHH 220 ft Package, Whip: 25P771, Hoses: 26D096: Qty 2
- R2I270 R2 IHH 270 ft Package, Whip: 25P771, Hoses: 26D096: Qty 2, 26D095: Qty 1
- R2I320 R2 IHH 320 ft Package, Whip: 25P771, Hoses: 26D096: Qty 3
- R2I370 R2 IHH 370 ft Package, Whip: 25P771, Hoses: 26D096: Qty 3, 26D095: Qty 1
- R2I420 R2 IHH 420 ft Package, Whip: 25P771, Hoses: 26D096: Qty 4

\*\*\*All hose packages include Reactor software token 17E206



For more information visit [graco.com/heatedhoses](http://graco.com/heatedhoses)