

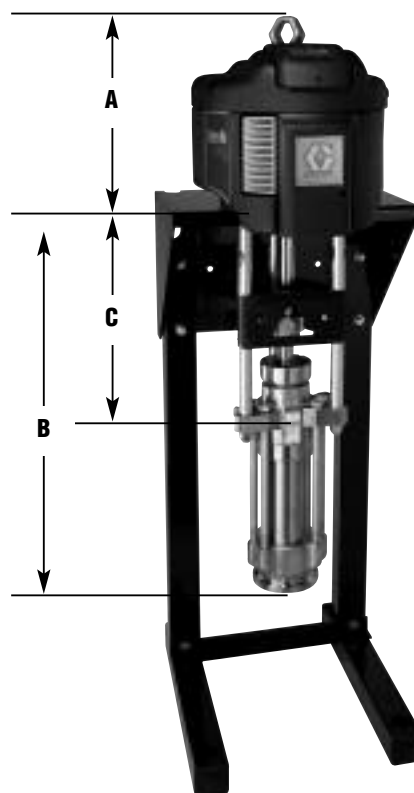
Dura-Flo™ & Xtreme®

180cc Pneumatic Supply Pumps

Durable pumps with long-life packing design

- Positive displacement, 2 ball piston design provides uniform and easily controlled delivery
- High pump pressure and flow performance to handle a broad range of paints and coatings
- Improved serviceability with fewer parts, faster repairs and lower ownership costs

Dimensions



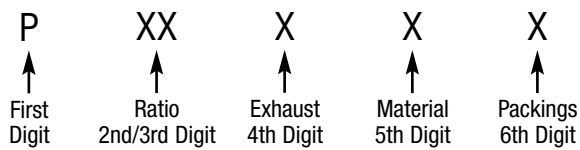
	A	B	C
Dura-Flo	34 cm (13.52 in)	73 cm (28.62 in)	43 cm (16.79 in)
Xtreme	34 cm (13.52 in)	74 cm (29.3 in)	47 cm (18.56 in)

Technical Specifications

Model	Ratio	Max Inlet Pressure bar (psi)	Max Fluid Pressure bar (psi)	Fluid Flow @ 60 cpm pm (gpm)	Inlet	Outlet	Pump Lower Material	Volume/ cycle cc (oz)	Weight
Dura-Flo 24S180	24:1	7 (100)	167.5 (2430)	11 (2.9)	1-1/2" npt	3/4" npt	SS	180 (6)	41 kg (89 lb)
Xtreme 24C180	24:1	7 (100)	167.5 (2430)	11 (2.9)	1-1/4" npt	3/4" npt	CS	180 (6)	41 kg (89 lb)
Dura-Flo 40S180	40:1	7 (100)	262.0 (3800)	11 (2.9)	1-1/2" npt	3/4" npt	SS	180 (6)	42 kg (93 lb)

Ordering Information

Dura-Flo and Xtreme 180cc



Ratio		Exhaust			Material	Packings		
Char	Motor	Char	Exhaust	Smarts	C = Carbon Steel S = Stainless Steel	Char	Packing	Lower part number
24	2200	D	De-Icing	None			1	3 Xtreme/2 Leather
40	3400	E	De-Icing	DataTrak		E	4 Leather/1 PTFE	236456 (SS) or 261657
		L	Low Noise	None				
		M	Low Noise	DataTrak				

Standard Kits

- 244851** Xtreme / Leather seal and ball kit (for Xtreme)
- 237240** Leather / PTFE seal and ball kit (for Dura-Flo)
- 197316** Xtreme cylinder
- 189857** Dura-Flo cylinder
- 15J094** Xtreme piston rod
- 189853** Dura-Flo piston rod

Optional Kits

- 244901** Tuff-Stack™ seal and ball kit
- 237608** XtremeSeal / PTFE seal and ball kit
- 244901** PTFE seal and ball kit (10)
- 244870** Leather throat seals (10)
- 244864** Xtreme throat seals (10)
- 244858** Tuff-Stack throat seals (10)

Accessories

- NXT011** Integrated air control
- 255143** Wall mount bracket kit
- 253679** Wall mount bracket
- 253692** Floor stand
- 112887** Packing wrench
- 247312** 2200 air motor adapter for mounting to floor stand (253692) or to wall mount bracket (253679)

Manuals

- 311828** Dura-Flo pump manual
- 311762** Xtreme lowers manual
- 311827** Dura-Flo pump lower manual
- 311238** NXT Air Motors manual