

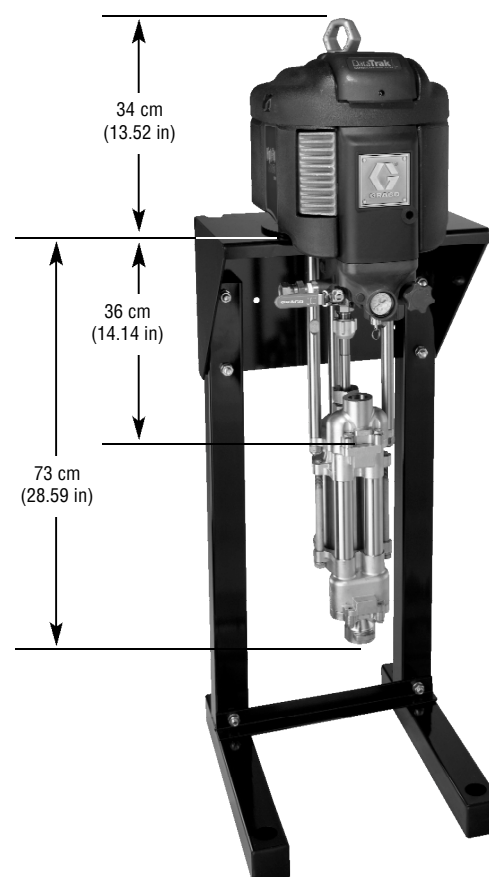
High-Flo®

2000 series Pneumatic Supply Pumps

Midrange High-Flo pumps provide increased performance and a lower cost of ownership.

- Positive displacement, 4 ball piston design provides large output per cycle for reduced pump wear
- Small displacement rod design reduces sealing area to minimize throat leakage
- Gentle pumping action produces a low shear output for shear sensitive materials
- Stainless steel and Severe Duty carbon steel models available to handle a variety of fluids

Dimensions

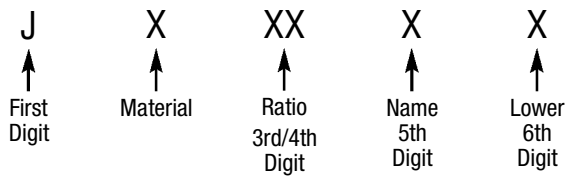


Technical Specifications

Model	2_2000	3.5_2000
Inlet air pressure	2.8-7 bar (40-100 psi)	2.8-7 bar (40-100 psi)
Max fluid pressure	14 bar (200 psi)	24 bar (350 psi)
Flow at 60 cpm	121 lpm (32 gpm)	121 lpm (32 gpm)
Volume per cycle	2 l (0.5 gal)	2 l (0.5 gal)
Air motor size	15 cm (6 in)	19 cm (7.5 in)
Pump inlet	1-1/2" npt	1-1/2" npt
Pump outlet	1" npt	1" npt
Weight	46 kg (101 lb)	48 kg (105 lb)
Instruction manual	311211	311211

Ordering Information

High Flo 2000



Material	Ratio		Name			Lower				
	Ratio x10	Motor	Digit	Exhaust	Smarts	Digit	Fittings	Rod Material	Cylinder Material	Lower Pin
C = carbon steel S = stainless steel	20	2200	L	Low Noise	None	1	NPT	Chromex	Chrome	253035
	35	3400	M	Low Noise	DataTrak	2	NPT	Maxlife	Maxlife	253570
			N	Low Noise	DataLink	3	BSPP	Chromex	Chrome	253086
			R	Remote	None	4	BSPP	Maxlife	Maxlife	253396
			S	Remote	DataTrak	5	Tri-Clamp	Chromex	Chrome	253522
			T	Remote	DataLink	6	Tri-Clamp	Maxlife	Maxlife	253525
						7	NPT	Chromex	Nitride	253063

Standard Kits

- 277358** UHMWPE piston seal kit
- 277357** UHMWPE/Leather throat seal kit
- 15H280** Chromex piston rod
- 15H589** Maxlife piston rod
- 15G882** Chrome cylinder
- 15H451** Maxlife cylinder
- 15G882** Nitride cylinder (CS)

Optional Kits

- 277359** PTFE piston seal kit
- 239866** PTFE throat seal kit
- 277356** Leather throat seal kit

Accessories

- NXT011** Integrated air control
- 255143** Wall mount bracket kit
- 253692** Floor stand
- 253679** Wall mount bracket
- 247312** Wall mount and floor stand adapter for 2200 motor
- 110335** Packing wrench
- 261721** Wet cup booster cup