

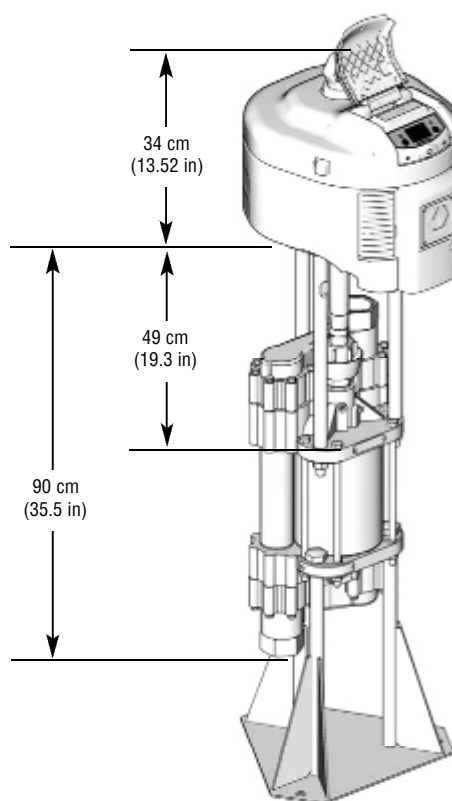
High-Flo®

Large Volume Pneumatic Circulation Pumps

Midrange High-Flo pumps provide increased performance and a lower cost of ownership.

- Positive displacement, 4 ball piston design provides large output per cycle for reduced pump wear
- Small displacement rod design reduces sealing area to minimize throat leakage
- Gentle pumping action produces a low shear output for shear sensitive materials
- Stainless steel and Severe Duty carbon steel models available to handle a variety of fluids

Dimensions

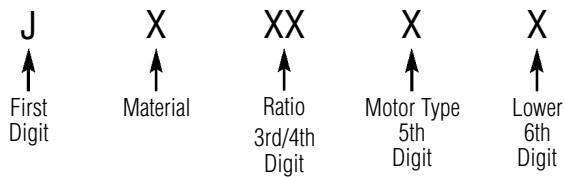


Technical Specifications

Pump	High-Flo 3.3_4000	High-Flo 4.4_3000	High-Flo 6_2000
Maximum fluid outlet pressure	(23 bar, 2.3 MPa) 330 psi	30 bar, 3.0 MPa (440 psi)	34 bar, 3.4 MPa (500 psi)
Maximum air input pressure	(6.9 bar, 0.7 MPa) 100 ps	6.9 bar, 0.7 MPa (100 psi)	5.2 bar, 0.5 MPa (75 psi)
Fluid flow @ 60 cpm	238 lpm (63 gpm)	179 lpm (47 gpm)	119 lpm (31 gpm)
Volume per cycle	4.0 l (1.0 gal)	3.0 l (0.8 gal)	2.0 l (0.5 gal)
Pump fluid inlet	2" npt(f) or 2" BSPP(f)	2" npt(f) or 2" BSPP(f)	2" npt(f) or 2" BSPP(f)
Pump fluid outlet	2" npt(f) or 2" BSPP(f)	2" npt(f) or 2" BSPP(f)	2" npt(f) or 2" BSPP(f)
Weight	105 kg (231 lb)	101 kg (222 lb)	100 kg (221 lb)

Ordering Information

High Flo Plus



Material	Ratio			Motor Type			Lower		
	Ratio x10	Motor	Lower	Digit	Exhaust	Smarts	Digit	Fittings	Material
C = carbon steel	33	6500	4000	L	Low Noise	None	1	NPT	SS
S = stainless steel	44	6500	3000	M	Low Noise	DataTrak	3	BSPP	SS
	60	6500	2000	N	Low Noise	DataLink			
				R	Remote	None			
				S	Remote	DataTrak			
				T	Remote	DataLink			

Standard Kits

	High-Flo 3.3_4000	High-Flo 4.4_3000	High-Flo 6_2000
UHMWPE piston seal kit	243729	243728	243727
UHMWPE/Leather throat seal kit	243671	243671	243671
SS/PlasmaCoat™ piston rod	196228	196228	196228
SST/ Chrome cylinder	180497	180498	180499
Pump lower CS NPT	N/A	243732	243731
Pump lower SS NPT	243773	243772	243771
Pump lower SS BSPP	243736	243735	243734

Optional Kits

	High-Flo 3.3_4000	High-Flo 4.4_3000	High-Flo 6_2000
PTFE piston seal kit	235854	235855	235856
PTFE throat seal kit/Leather	243672	243672	243672
UHMWPE Triple Lip™ throat seal kit	243673	243673	243673
SST/ Chrome piston rod	185197	185197	185197
Ceramic piston rod	685954	685954	685954
Ceramic cylinder	686522	N/A	N/A

Accessories

- 218742** Floor stand
- 196321** BSPP to NPT adapter
- 193424** Seal for adapter 196321
- NXT031** Integrated Air Control for High-Flo 6_2000
- NXT011** Integrated Air Control for High-Flo 4.4_3000 and High-Flo 3.3_4000