

Bulldog® 43:1 Air-Powered Pump

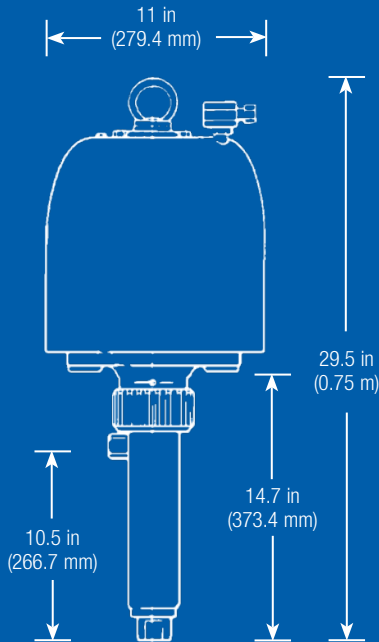
Ideal for blowout preventor systems



Compact, durable, and reliable
under tough working conditions.

PROVEN QUALITY. LEADING TECHNOLOGY.

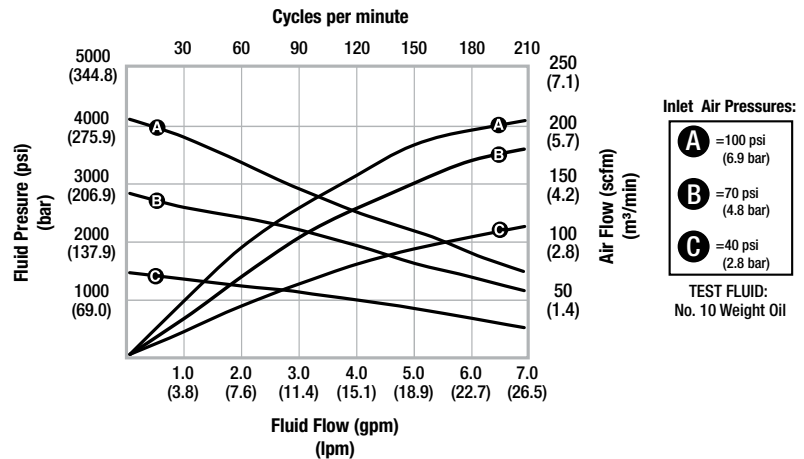
**Small,
Compact
Size**



Reliable Operation in the Harshest Environments

The Bulldog 43:1 air-powered pump, with its efficient, large ported air valve, is the highest-performing in its class. Downtime is minimized by an air motor design that has been developed and tested for more than 10 million cycles of operation.

- Compact, low-profile design makes installation easier
- Corrosion resistant – lightweight aluminum construction
- Reliable – tested to 10 million cycles without failure
- Added safety – grounded lug prevents static build-up



Technical Specifications

Maximum operating pressure	4300 psi (301 bar)
Maximum air input pressure	100 psi (7 bar)
Air inlet	3/4 inch npsm(f)
Fluid inlet	1 inch npt(f)
Fluid outlet	3/4 inch npt(f)
Materials of construction	Wetted materials on all models: carbon steel, stainless steel, chrome plating, zinc plating, nickel plating, brass, buna-n

Ordering Information

218334	43:1 Bulldog Hydraulic Supply Pump	Bleed-Type Master Air Valve	
Air Pressure Regulators		107142	1/2 inch npt inlet and outlet
206197	1/2 inch npt inlet and outlet	Air Line Lubricator	
207755	3/4 inch npt inlet and outlet	214848	1/2 inch npt inlet and outlet
Air Line Filters		214849	3/4 inch npt inlet and outlet
106149	1/2 inch npt inlet and outlet	Repair Kits	
106150	3/4 inch npt inlet and outlet	24U227	Pump lower repair kit
Grounding Clamp and Wire		24U228	Air motor repair kit
103538	Grounding clamp	24W515	Pump and air motor repair kit
222011	Ground wire		

Contact us today!

Call **800-533-9655** to speak with a Graco representative, or visit www.graco.com for more information.

