

# GL-1™ Series Injectors

Metering for Heavy Equipment



Reliable and high-performing injectors built to last in the most demanding applications.

# GL-1 Series Injectors – Heavy-Duty Performance

Graco quality provides consistent performance in rugged environments.

- No vent holes to leak lubricants
- Fully-enclosed press fittings

## Injector Covers

Clear, polycarbonate covers protect cycle pin indicators from contamination. (Included with GL-1 X and GL-1 XL models)

## Hex-Head Adjustment Nut

Heavy-duty hex-head nut makes output adjustments simple.

## Unibody Design

Rugged, single-piece body for use in shock and vibration environments.

## GL-1 Manifold

6,000 psi, 3/8 in NPT port manifolds fit pre-existing mounting patterns.

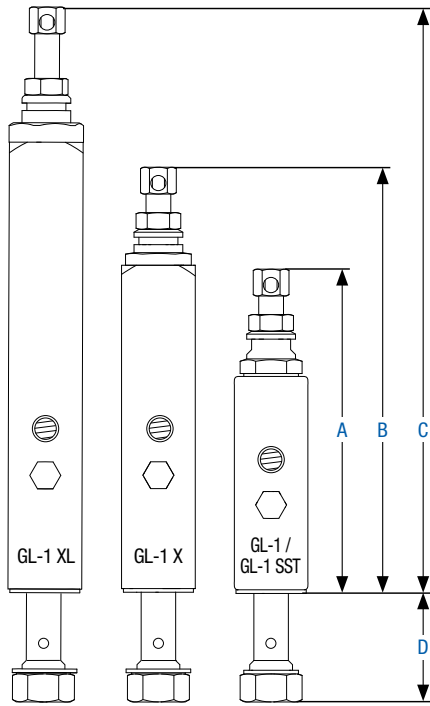
## Optional Output Spectrum Sleeves

Color-coded spacers enable simple, targeted output volume.



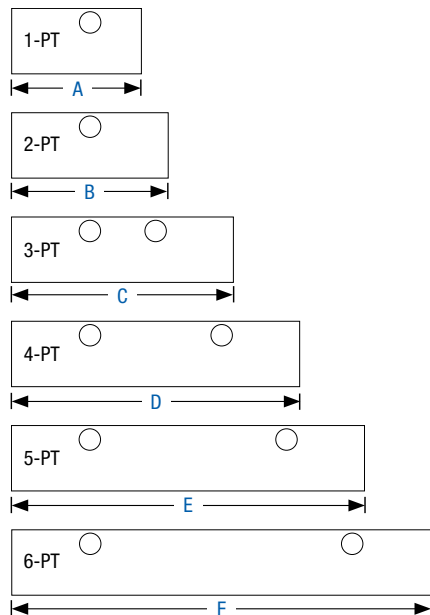
## Technical Specifications

	GL-1	GL-1 316 SST	GL-1 X	GL-1 XL
Maximum operating pressure	3,500 psi (241 bar)	3,500 psi (241 bar)	6,000 psi (414 bar)	6,000 psi (414 bar)
Minimum operating pressure	1,850 psi (128 bar)	1,850 psi (128 bar)	1,850 psi (128 bar)	1,850 psi (128 bar)
Reset pressure	600 psi (41 bar)	600 psi (41 bar)	1,000 psi (69 bar)	1,000 psi (69 bar)
Output volume per cycle	0.008 to 0.08 in <sup>3</sup> (0.13 to 1.31 cm <sup>3</sup> )	0.008 to 0.08 in <sup>3</sup> (0.13 to 1.31 cm <sup>3</sup> )	0.015 to 0.08 in <sup>3</sup> (0.25 to 1.31 cm <sup>3</sup> )	0.035 to 0.305 in <sup>3</sup> (0.57 to 5.0 cm <sup>3</sup> )
Materials	Zinc-plated carbon steel	316 stainless steel	Zinc-plated carbon steel	Zinc-plated carbon steel



### GL-1 Injector Dimensions

<b>A</b>	5.3 in (13.46 cm)
<b>B</b>	6.9 in (17.53 cm)
<b>C</b>	9.5 in (24.13 cm)
<b>D</b>	1.7 in (4.32 cm)



### GL-1 Manifold Dimensions

<b>A</b>	2.5 in (6.35 cm)
<b>B</b>	3.0 in (7.62 cm)
<b>C</b>	4.2 in (10.67 cm)
<b>D</b>	5.5 in (13.97 cm)
<b>E</b>	6.7 in (17.02 cm)
<b>F</b>	8.0 in (20.32 cm)

## Ordering Information

### GL-1 Injectors and Manifold Assemblies

	GL-1	GL-1 316 SST	GL-1 X	GL-1 XL
One-point assembly	114901	—	24X801	24X811
Two-point assembly	114902	—	24X802	24X812
Three-point assembly	114903	—	24X803	24X813
Four-point assembly	114904	—	24X804	24X814
Five-point assembly	114905	—	24X805	24X815
Six-point assembly	117206	—	24X806	24X816
Single replacement injector, no manifold	114909	25N109	24X807	24X817

### GL-1 Bare Injector Manifolds (no injectors included)

	GL-1	GL-1 316 SST	GL-1 X	GL-1 XL
One-point manifold	114911	25N101	114911	114911
Two-point manifold	114912	25N102	114912	114912
Three-point manifold	114913	25N103	114913	114913
Four-point manifold	114914	25N104	114914	114914
Five-point manifold	114915	25N105	114915	114915
Six-point manifold	118206	25N106	118206	118206

### Injector Accessories

	GL-1	GL-1 316 SST	GL-1 X	GL-1 XL
Injector cover kit, polycarbonate	17L754	17L754	17L754*	17L755*
Injector crossport kit	115120	—	115120	115120
Zerk and cap kit (5 pack)	17Y511	17Y498	17Y511	17Y511
Adjustment screw and lock nut (5 pack)	17Y510	17Y489	—	—
GL-1 oil conversion kit	25E349	25E349	—	—
Seal repair kit	241234	241234	25A081	25A080

\*Included with every GL-1 X and GL-1 XL injector.

### Output Spectrum Sleeves

GL-1 Output Target in <sup>3</sup> (cm <sup>3</sup> )	Output Target Ratio		Color	10-Pack Part Number
	From Minimum	From Maximum		
<b>GL-1 / GL-1 SST Injectors</b>				
0.01 (0.1)	1.0	0.10	N/A	N/A
0.03 (0.5)	4.0	0.50	Red	17K601
0.05 (0.8)	6.0	0.60	Silver	17K602
0.06 (1.0)	8.0	0.80	Gold	17K603
0.08 (1.3)	10.0	1.00	Green	17K604
<b>GL-1 X Injectors</b>				
0.01 (0.3)	1.0	0.20	N/A	N/A
0.03 (0.5)	4.0	0.40	Red	17K601
0.04 (0.7)	6.0	0.50	Silver	17K602
0.06 (0.8)	8.0	0.60	Gold	17K603
0.07 (1.2)	10.0	0.75	Green	17K604
<b>GL-1 XL Injectors</b>				
0.04 (0.6)	1.0	0.10	N/A	N/A
0.05 (0.8)	1.5	0.15	Red	17K601
0.06 (1.0)	2.1	0.25	Silver	17K602
0.09 (1.5)	2.8	0.30	Gold	17K603
0.12 (2.0)	3.4	0.40	Green	17K604
0.13 (2.0)	3.9	0.45	Black	17N453
0.15 (2.5)	4.3	0.50	Purple	17N454
0.18 (3.0)	5.4	0.60	Blue	17N455
0.21 (3.5)	6.4	0.75	Orange	17N456
0.24 (4.0)	7.5	0.90	Brown	17N457
0.30 (5.0)	8.6	1.00	Yellow	17N458

## AMERICAS

### MINNESOTA

Worldwide Headquarters  
Graco Inc.  
88-11th Avenue N.E.  
Minneapolis, MN 55413

### MAILING ADDRESS

P.O. Box 1441  
Minneapolis, MN 55440-1441  
Tel: 800-275-5574 Fax: 612-623-6777

## EUROPE

### BELGIUM

Graco BVBA  
Industrieterrein-Oude Bunders  
Slakweidestraat 31  
B-3630 Maasmechelen,  
Belgium  
Tel: 32 89 770 700 Fax: 32 89 770 777

## ASIA PACIFIC

### AUSTRALIA

Graco Australia Pty Ltd.  
Suite 17, 2 Enterprise Drive  
Bundoora, Victoria 3083  
Australia  
Tel: 61 3 9468 8500 Fax: 61 3 9468 8599

### CHINA

Graco Fluid Equipment (Shanghai) Co., Ltd.  
Building 7, No.1-2  
Wenshui Road 299,  
Jing'an District  
Shanghai 200436  
P.R.China  
Tel: 86 21 649 50088 Fax: 86 21 649 50077

### INDIA

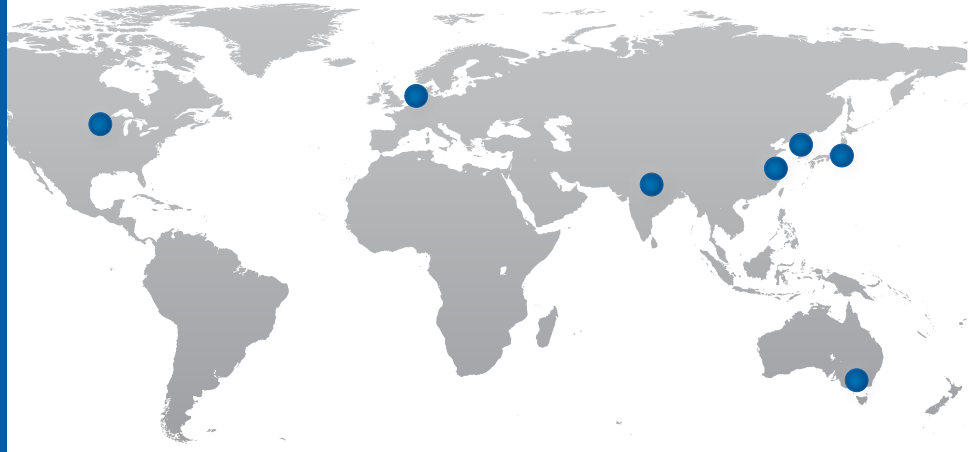
Graco Hong Kong Ltd.  
India Liaison Office  
Room 443, Level 4  
Augusta Point, Golf Course Road  
Gurgaon, Haryana, India 122001  
Tel: 91 124 435 4208 Fax: 91 124 435 4001

### JAPAN

Graco K.K.  
1-27-12 Hayabuchi  
Tsuzuki-ku  
Yokohama City, Japan 2240025  
Tel: 81 45 593 7300 Fax: 81 45 593 7301

### KOREA

Graco Korea Inc.  
Shinhan Bank Building  
4th Floor #1599  
Gwanyang-Dong, Dongan-Ku,  
Anyang-si, Korea 431-060  
Tel: 82 31 476 9400 Fax: 82 31 476 9801



# Graco's got you covered

Facilities Worldwide for Global Support



## Quality First

At Graco we pride ourselves on providing best-in-class products. Engineered solutions are manufactured in our own facilities, with the highest standards in the industry. We provide you with world-class customer support and expertise to help solve your lubrication challenges.



## Global Reach

Graco has facilities and distribution partners across the globe to provide you with the products and service *you* need, where *you* live. Plus, Graco has dedicated field experts in all areas of the world to support the products we sell.



## Product Capabilities

Graco has a broad range of products to provide solutions that meet your needs. Our products are engineered and tested to perform in the harshest environments so you can be certain your equipment is protected and working at peak performance.

©2019 Graco Inc. 352429 Rev. J. 11/19 All other brand names or marks are used for identification purposes and are trademarks of their respective owners. All written and visual data contained in this document are based on the latest product information available at the time of publication. Graco reserves the right to make changes at any time without notice. For more information on Graco's intellectual property, see [www.graco.com/patent](http://www.graco.com/patent) or [www.graco.com/trademarks](http://www.graco.com/trademarks).

Contact us today!

Call **800-533-9655** to speak with a Graco representative,  
or visit [www.graco.com](http://www.graco.com) for more information.

