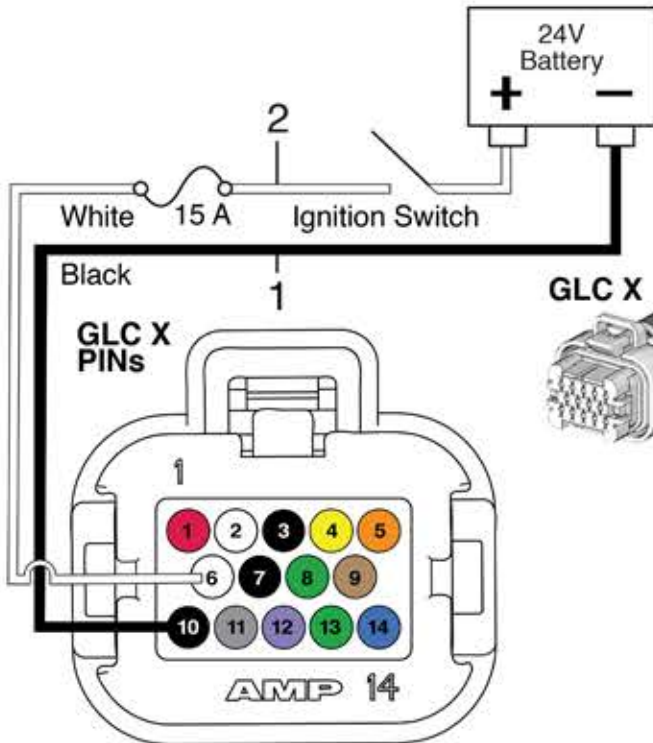


Compact Dyna-Star[®]

Series Progressive - Divider Valves



P/N: 26A882
GLC X 20 ft (6 m) Cable
(Cut to Length)

Cable	GLC X PIN	CDS PIN	AWG	Color	Function
Signal	1	4	16	Red	Pump/Motor
Signal	2	9	18	White	Auxiliary/Alarm
Signal	3	5	16	Black	GND (Pump/Motor)
Signal	4	7	18	Yellow	Sensor Power 1
Signal	5	1	18	Orange	Sensor Power 2 (Low Level)
Power	6	N/A	16	White	Voltage Source
Signal	7	10	18	Black	GND
Signal	8	2	18	Green	GND (Low Level)
Signal	9	3	18	Brown	Input 2 (Low Level)
Power	10	N/A	16	Black	Voltage Source Ground
Signal	11	11	18	Slate	Input 3 (Cycle)
Signal	12	12	18	Violet	Input 4 (Machine Count)
Signal	13	6	18	Green	GND
Signal	14	8	18	Blue	Input 1 Not-Used

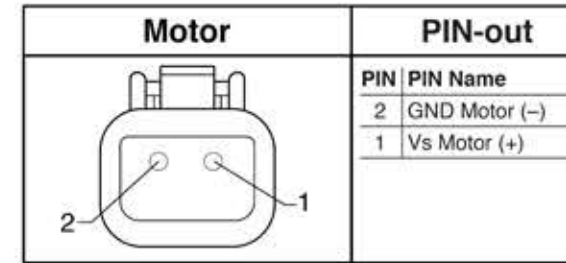
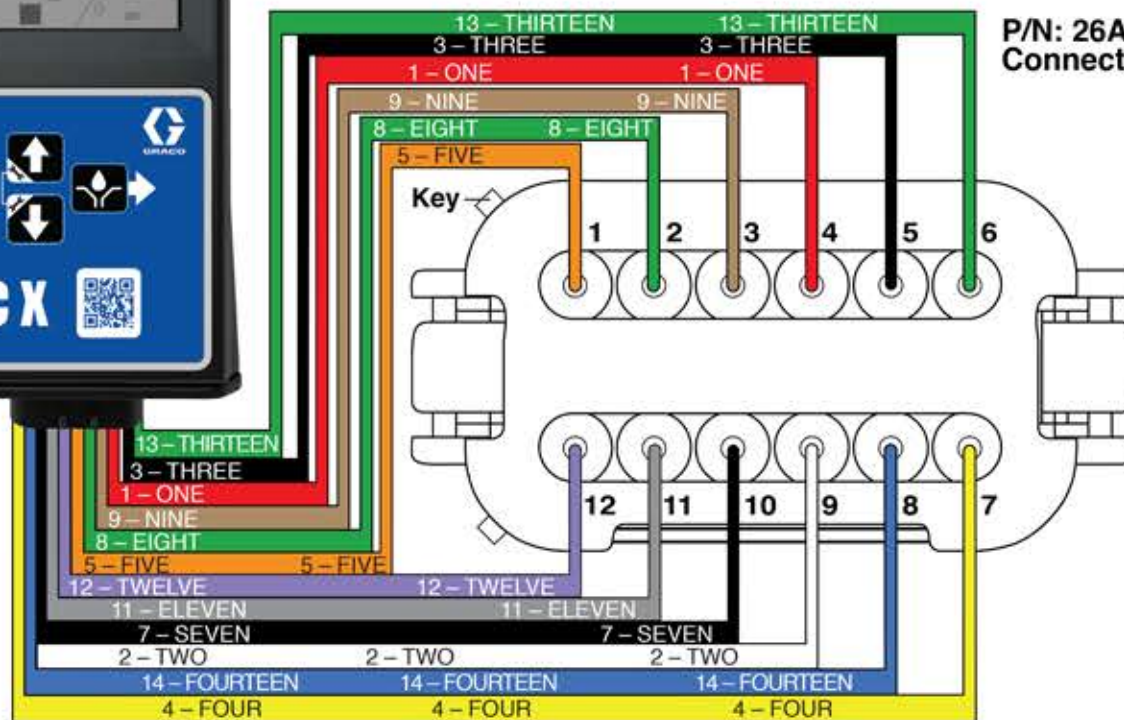


CDS

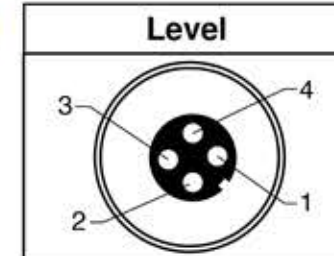
P/N: 26A889
Connector Kit



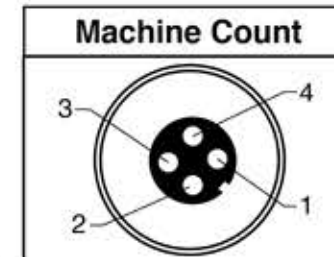
P/N: 26A814
GLC X Controller



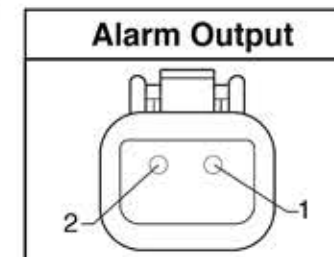
PIN	PIN Name
2	GND Motor (-)
1	Vs Motor (+)



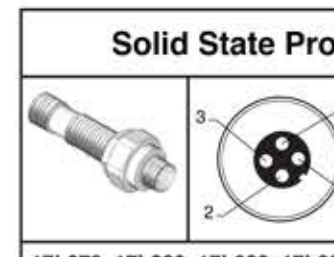
PIN	PIN Name
1	Vs (Brown)
2	Not used (White)
3	GND (Blue)
4	Level Out (Black)



PIN	PIN Name
1	Vs (Brown)
2	Not used (White)
3	GND (Blue)
4	Normally Open (Black)

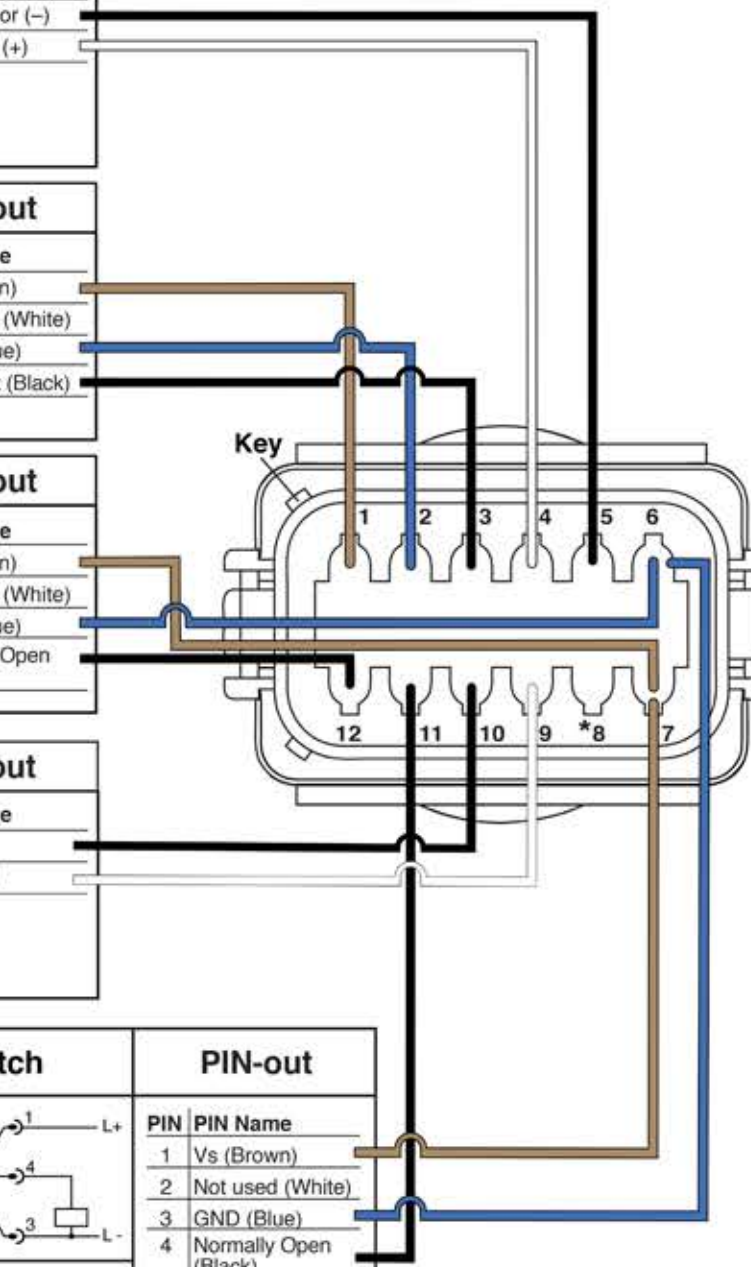


PIN	PIN Name
2	GND (-)
1	Alarm (+)



PIN	PIN Name
1	Vs (Brown)
2	Not used (White)
3	GND (Blue)
4	Normally Open (Black)

P/N 25R560



* Not Used (Plugged)

NOTE:
For wire gauges smaller than 20 AWG,
foldback the wire to fit in crimp.

