

INSTRUCTIONS-PARTS LIST



306-863

Rev. G
Supersedes Rev. F



This manual contains important warnings and information.
READ AND KEEP FOR REFERENCE.

INSTRUCTIONS

HYDRA-MASTIC SPRAY GUN

3000 psi (210 bar) MAXIMUM WORKING PRESSURE

U.S. Patent No. 3,362,644

Model 206-718, Series M
Standard Gun with Diffuser

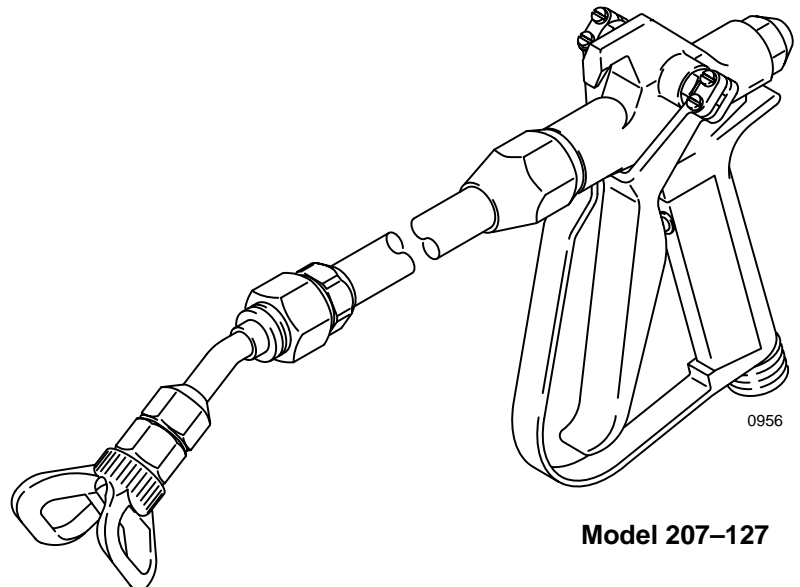
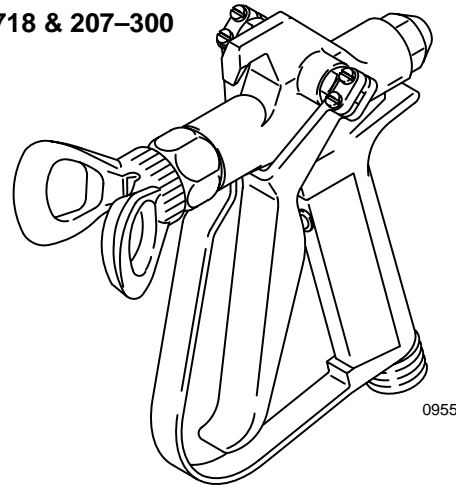
Models 206-718 & 207-300

Model 207-300, Series J
Standard Gun without Diffuser

Model 207-127, Series K
Pole Gun with Diffuser and 37.5" (950 mm) Extension

NOTE: Spray tip not included; order separately.

EXTENSION KIT 207-049
Adds 37.5" (950 mm) Extension to Standard Gun
206-718 or 207-300



Model 207-127

Table of Contents

Warnings	2	Extension Kit 207-049	14
Installation	5	Accessories	15
Operation	6	Technical Data	15
Troubleshooting	8	Graco Warranty and Disclaimers	16
Service	8		
Model 206-718	11		
Model 207-300	12		
Model 207-127	13		

Symbols

Warning Symbol



This symbol alerts you to the possibility of serious injury or death if you do not follow the instructions.

Caution Symbol



This symbol alerts you to the possibility of damage to or destruction of equipment if you do not follow the instructions.

! WARNING



FIRE AND EXPLOSION HAZARD

Improper grounding, poor ventilation, open flames or sparks can cause a hazardous condition and result in a fire or explosion and serious injury.



- If there is any static sparking or you feel an electric shock while using this equipment, **stop spraying immediately**. Do not use the equipment until you identify and correct the problem.
- Provide fresh air ventilation to avoid the buildup of flammable fumes from solvents or the fluid being sprayed.
- Keep the spray area free of debris, including solvent, rags, and gasoline.
- Electrically disconnect all equipment in the spray area.
- Extinguish all open flames or pilot lights in the spray area.
- Do not smoke in the spray area.
- Do not turn on or off any light switch in the spray area while operating or if fumes are present.
- Do not operate a gasoline engine in the spray area.
- Ground the equipment and the object being sprayed. See **Grounding** on page 5.

WARNING



INJECTION HAZARD

Spray from the gun, leaks or ruptured components can inject fluid into your body and cause extremely serious injury, including the need for amputation. Fluid splashed in the eyes or on the skin can also cause serious injury.

- Fluid injected into the skin is a serious injury. The injury may look like just a cut, but it is a serious injury. Get immediate medical attention.
- Do not point the gun at anyone or at any part of the body.
- Do not put your hand or fingers over the spray tip.
- Do not stop or deflect leaks with your hand, body, glove or rag.
- Do not “blow back” fluid; this is not an air spray system.
- Always have the tip guard and the trigger guard on the gun when spraying.
- Check the gun diffuser operation weekly. Refer to the gun manual.
- Be sure the gun trigger safety operates before spraying.
- Lock the gun trigger safety when you stop spraying.
- Follow the **Pressure Relief Procedure** on page 6 if the spray tip clogs and before cleaning, checking or servicing the equipment.
- Tighten all fluid connections before operating the equipment.
- Check the hoses, tubes, and couplings daily. Replace worn or damaged parts immediately. Do not repair high pressure couplings; you must replace the entire hose.
- Fluid hoses must have spring guards on both ends, to help protect them from rupture caused by kinks or bends near the couplings.



TOXIC FLUID HAZARD

Hazardous fluid or toxic fumes can cause serious injury or death if splashed in the eyes or on the skin, inhaled, or swallowed.

- Know the specific hazards of the fluid you are using.
- Store hazardous fluid in an approved container. Dispose of hazardous fluid according to all local, state and national guidelines.
- Always wear protective eyewear, gloves, clothing and respirator as recommended by the fluid and solvent manufacturer.



RECOIL HAZARD

Due to the high pressure fluid emitted, a strong recoil action may occur when you trigger this gun. If you are unprepared, your hand could be forced back toward your body or you could lose your balance and fall, resulting in serious injury.

WARNING



INSTRUCTIONS

EQUIPMENT MISUSE HAZARD

Equipment misuse can cause the equipment to rupture or malfunction and result in serious injury.

- This equipment is for professional use only.
- Read all instruction manuals, tags, and labels before operating the equipment.
- Use the equipment only for its intended purpose. If you are not sure, call Graco Technical Assistance at 1-800-543-0339.
- Do not alter or modify this equipment.
- Check equipment daily. Repair or replace worn or damaged parts immediately.
- Do not exceed the maximum working pressure of the lowest rated system component. Refer to the **Technical Data** on page 15 for the maximum working pressure of this equipment.
- Use fluids and solvents which are compatible with the equipment wetted parts. Refer to the **Technical Data** section of all equipment manuals. Read the fluid and solvent manufacturer's warnings.
- Do not use 1,1,1-trichloroethane, methylene chloride, other halogenated hydrocarbon solvents or fluids containing such solvents in pressurized aluminum equipment. Such use could result in a chemical reaction, with the possibility of explosion.
- Do not use hoses to pull equipment.
- Route hoses away from traffic areas, sharp edges, moving parts, and hot surfaces. Do not expose Graco hoses to temperatures above 82°C (180°F) or below -40°C (-40°F).
- Do not lift pressurized equipment.
- Comply with all applicable local, state, and national fire, electrical, and safety regulations.
- Wear ear protection when operating this equipment.

Installation

System Requirements

WARNING

The equipment must have a bleed-type master air valve (pneumatic pumps only) and a pressure drain valve. These accessories help reduce the risk of serious injury from fluid injection, splashing in the eyes or on the skin, or moving parts, when adjusting or repairing the pump or gun.

1. The bleed-type master air valve relieves air trapped between this valve and the pneumatic pump after the air regulator is shut off. Trapped air can cause the pump to cycle unexpectedly.
2. The pressure drain valve assists in relieving fluid pressure in the displacement pump, hose and gun; triggering the gun to relieve pressure may not be sufficient.
3. Strain the fluid you are spraying if it contains particles which could clog the spray tip.

Grounding

WARNING



FIRE AND EXPLOSION HAZARD

To reduce the risk of static sparking, ground the pump and all other equipment used or located in the spray area. Also read **FIRE OR EXPLOSION HAZARD** on page 2.

1. Check your local electrical code for detailed grounding instructions for your area and type of equipment.
2. Follow the grounding instructions provided in your pump or sprayer manual. The gun obtains grounding through connection to a properly grounded fluid hose and pump or sprayer.

Installation

1. Connect a grounded fluid hose to the gun inlet.
2. With no tip installed, start the pump/sprayer. Flush it according to the instructions supplied with it. Prime the system with the fluid you are using.
3. Follow the **Pressure Relief Procedure**, page 2.

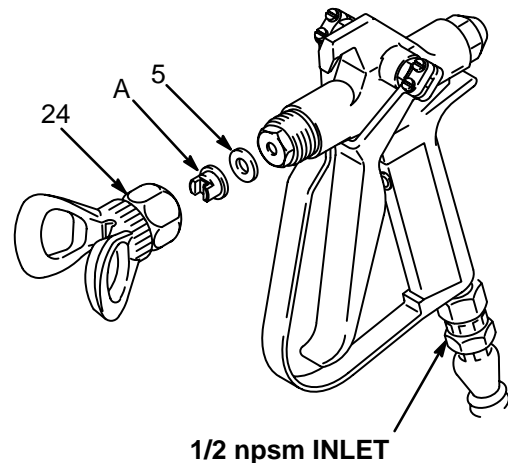


Fig 1 _____ 0957

4. With the gun safety latch engaged (see Fig 2), unscrew the tip guard (21) and install the tip (A) and gasket (5) in the nut of the tip guard. Screw the assembly firmly onto the gun. Tighten with a wrench. See Fig 1.

NOTE: Failure to install the tip gasket (5) will result in leaking.

5. Strain the fluid you are spraying if it contains particles which could clog the spray tip.

Operation

Pressure Relief Procedure

WARNING



INJECTION HAZARD

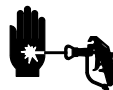
The system pressure must be manually relieved to prevent the system from starting or spraying accidentally. Fluid under high pressure can be injected through the skin and cause serious injury. To reduce the risk of an injury from injection, splashing fluid, or moving parts, follow the **Pressure Relief Procedure** whenever you:

- are instructed to relieve the pressure,
- stop spraying,
- check or service any of the system equipment,
- or install or clean the spray tip.

1. Engage the gun safety latch.
2. Turn the ON/OFF switch to OFF.
3. Unplug the power supply cord.
4. Disengage the gun safety latch. Hold a metal part of the gun firmly to a grounded metal pail. Trigger the gun to relieve pressure.
5. Engage the gun safety latch.
6. Open the pressure drain valve. Leave the pressure drain valve open until you are ready to spray again.

If you suspect that the spray tip or hose is completely clogged, or that pressure has not been fully relieved after following the steps above, VERY SLOWLY loosen the tip guard retaining nut or hose end coupling to relieve pressure gradually, then loosen completely. Now clear the tip or hose obstruction.

WARNING



INJECTION HAZARD

To reduce the risk of serious injury, whenever you are instructed to relieve pressure, follow the **Pressure Relief Procedure** on page 6.

WARNING

The wallet-sized warning card provided with this gun should be kept with the operator at all times. The card contains important treatment information should an injection injury occur. Additional cards are available at no charge from Graco Inc.

1. Start the pump. Adjust the fluid pressure so the spray is completely atomized. Always use the lowest pressure necessary to get the desired results. Higher pressure may not improve the spray pattern and will cause premature tip and pump wear.
2. If adjusting the pressure does not give a good spray pattern, try another tip size. Be sure to relieve pressure completely before changing tips.
3. Use a full open, full close trigger action. Hold the gun about 14 in. (350 mm) from and at right angles to the work surface. Don't swing the gun in an arc. Practice to find the best length and speed of stroke.

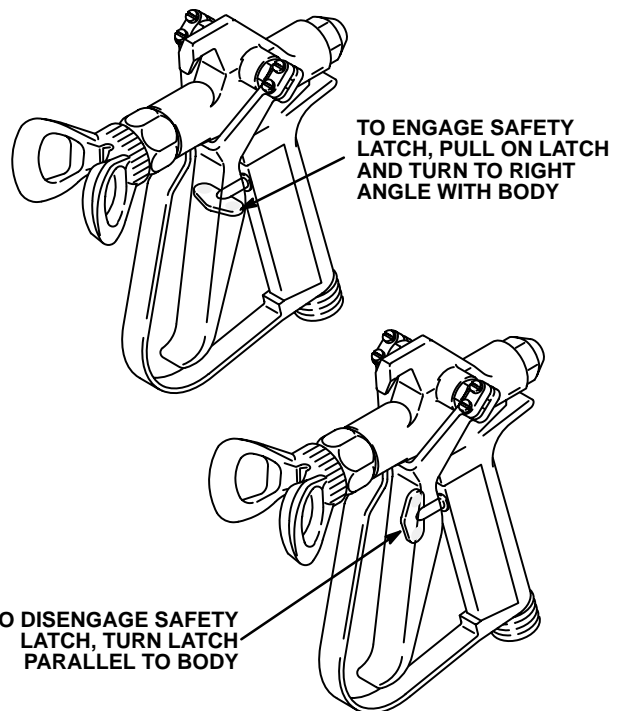


Fig 2

0958

Operation

Adjust the Spray Pattern

⚠ WARNING

INJECTION HAZARD

To reduce the risk of serious injury, whenever you are instructed to relieve pressure, follow the **Pressure Relief Procedure** on page 6.

1. Relieve pressure.
2. To adjust the spray pattern direction, engage the safety latch. Loosen the tip guard retaining nut. Turn the spray tip so the groove is horizontal for a horizontal spray pattern and vertical for a vertical pattern. Tighten the nut.
3. The spray tip orifice size and spray angle determines the coverage and size of pattern. When more coverage is needed, use a larger spray tip rather than increasing fluid pressure.

⚠ WARNING

To reduce the risk of a fluid injection injury, NEVER use the gun with the tip guard or trigger guard removed

⚠ CAUTION

Openings in the tip guard are designed to reduce paint buildup on the guard while spraying. Any damage to the sharp edges of the openings causes paint to collect at that area. To reduce the risk of damage, never hang the gun by the tip guard.

Cleaning and Clearing the Spray Tip

⚠ WARNING

To reduce the risk of serious injury from fluid injection or splashing, always follow the **Pressure Relief Procedure** on page 6 before cleaning and clearing the spray tip.

Clean off the front of the tip frequently during the day's operation and at the end of the work day. Then use a solvent soaked brush to clean the spray tip and to keep fluid buildup from drying in and clogging the spray tip.

If the spray tip clogs while spraying, release the spray gun trigger, engage the safety latch, shut off the pump, and follow the **Pressure Relief Procedure** on page 2. Then remove the spray tip and blow out the obstruction with air from the front of the spray tip, or let the spray tip and gun nozzle soak long enough to dissolve the obstruction. If the obstruction won't dissolve, jar it out by tapping the back of the spray tip against a flat surface.

When changing spray tips, take a moment to check the tightness of the valve seat (21). It should be torqued to 190–210 in-lb (23–24 N.m). See Fig 3.

⚠ CAUTION

NEVER soak the entire gun in solvent. Prolonged exposure to solvent can ruin the packings.

Flushing the Gun

⚠ WARNING

Before flushing, be sure the entire system and flushing pails are properly grounded. Refer to **Grounding** on page 5. Follow the **Pressure Relief Procedure** on page 6, and *remove the spray tip from the gun*. Always use the lowest possible fluid pressure, and maintain firm metal-to-metal contact between the gun and the pail during flushing to reduce the risk of a fluid injection injury, static sparking and splashing. See Fig 3.

Relieve pressure. Remove the spray tip. Flush the gun and spray system with a compatible solvent. Always flush the gun before the fluid being sprayed can dry in it.

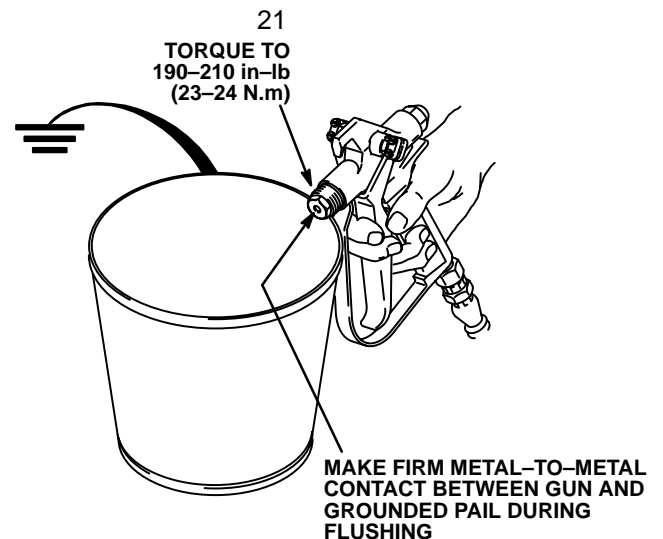


Fig 3

0959

Troubleshooting

If the nozzle leaks, check the tightness of the valve seat (21); it should be torqued to 190–210 in–lb (23–24 N.m). See Fig 3. If the problem is not corrected, service the gun. See page 6.

If fluid does not stop when the gun trigger is released, adjust the needle. See page 6. If the problem is not corrected, check and/or replace the packings and needle. See page 6.

Service

Models 206–718 & 207–300

Model 207–127

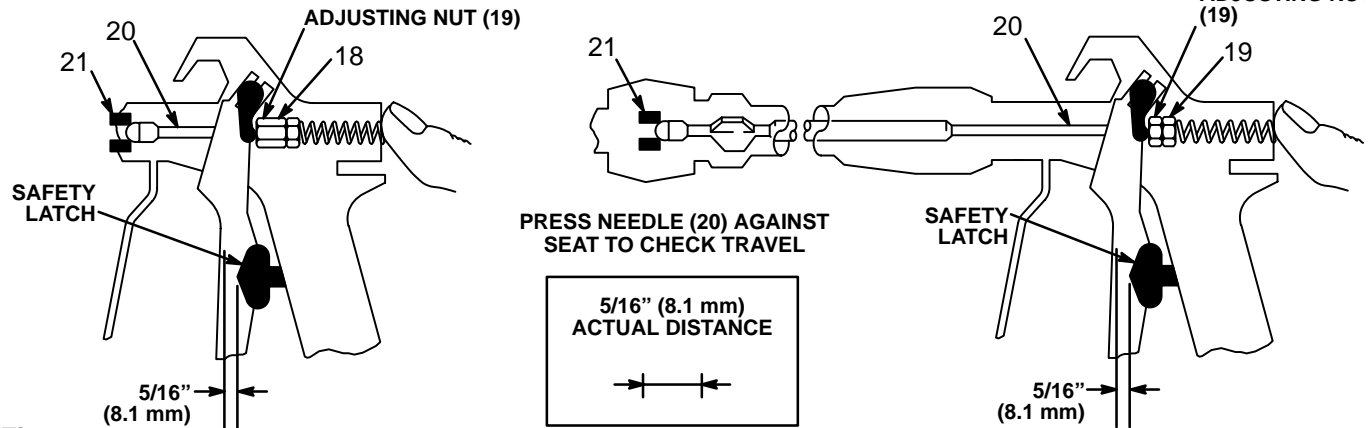


Fig 4

0960

⚠ WARNING



INJECTION HAZARD

To reduce the risk of serious injury, whenever you are instructed to relieve pressure, follow the **Pressure Relief Procedure** on page 6.

Procedure on page 6.

1. Relieve pressure. Disconnect the fluid hose. Remove the spring retainer (22).
2. Press the needle into the seat (21) with a finger. With the safety latch disengaged, check the travel of the gun trigger. It should be 5/16 in. (8.1 mm). See Fig 4.
3. Turn the first adjusting nut (19**) in or out as needed to obtain the proper travel. Then lock it in place with the locknut (18 or 19).
4. Install the gasket (6) and retainer (22).
5. Connect the fluid hose. Prime the system. Point the gun into a grounded container and trigger and release it. The fluid should stop flowing immediately. Now engage the safety latch and try to trigger the gun. There should be no fluid flow. **IF THE GUN FAILS EITHER TEST**, relieve pressure, disconnect the hose and readjust the needle.

Adjusting the Needle

⚠ WARNING

Proper needle adjustment is essential to be sure the safety latch makes the gun inoperative when engaged. Improper adjustment may allow the gun to be triggered, even with the safety latch engaged, resulting in serious injury, including fluid injection and splashing in the eyes or on the skin.

Service

Gun Repair (See Fig 5 except where noted)

NOTE: A repair kit is available for the standard guns only. See pages 8 and 9. Use all the parts in the kit for the best results.

NOTE: Parts included in the kit are marked with two asterisks, for example (16**), in the text and drawings.

NOTE: Order parts separately as needed for the pole gun (Model 207–127), being sure to replace the packings, o-rings and glands at the same time.

1. Relieve pressure. Disconnect the hose. Remove the tip guard (24) and tip.
2. Remove the trigger screws (1) and trigger (14).
3. Remove the spring retainer (22), gasket (6**) and spring (7).
4. Remove the packing nut (13), packings (4**,9**,16**) and cam shaft (10). See Fig 6.
5. Model 207–127 only: Remove the nozzle adapter (31), washer (5), seat (21), gasket (15), extension (30) and needle (20).
6. Models 206–718 and 207–300 only: Remove the seat (21**) and gasket (15**). Remove the needle (20) from the rear of the gun.
7. **Noting the number of full turns required to remove each one,** remove the two nuts from the needle: one each 18** and 19** for Models 206–718 and 207–300, and two 19** for Model 207–127.
8. Clean all parts and inspect. Replace any worn or damaged parts.
9. Install a new gasket (15**) and seat (21**). Torque the seat to 190–210 in–lb (23–24 N.m).
10. Model 207–127 only: Install the nozzle adapter (31).
11. Install the cam lever (8) and then the cam shaft (10). Turn the shaft so the trigger clamps fit over the flat ends of the shaft. See Fig 6.
12. Install the gland (16**), o–ring (4**), leather packings (9**) and packing nut (13) on each side of the gun. See Fig 6.
13. Position the forks of the trigger clamps over the cam shaft. Install the screws, tightening the inner ones first as indicated in Fig 5.
14. **Using the same number of turns noted in Step 4,** install the adjusting nut (19**) and then the lock-nut (18** or 19 as shown in Fig 5) on the needle.
15. Install the needle and spring. Now adjust the needle as instructed to the left.

Service

Model 207-127

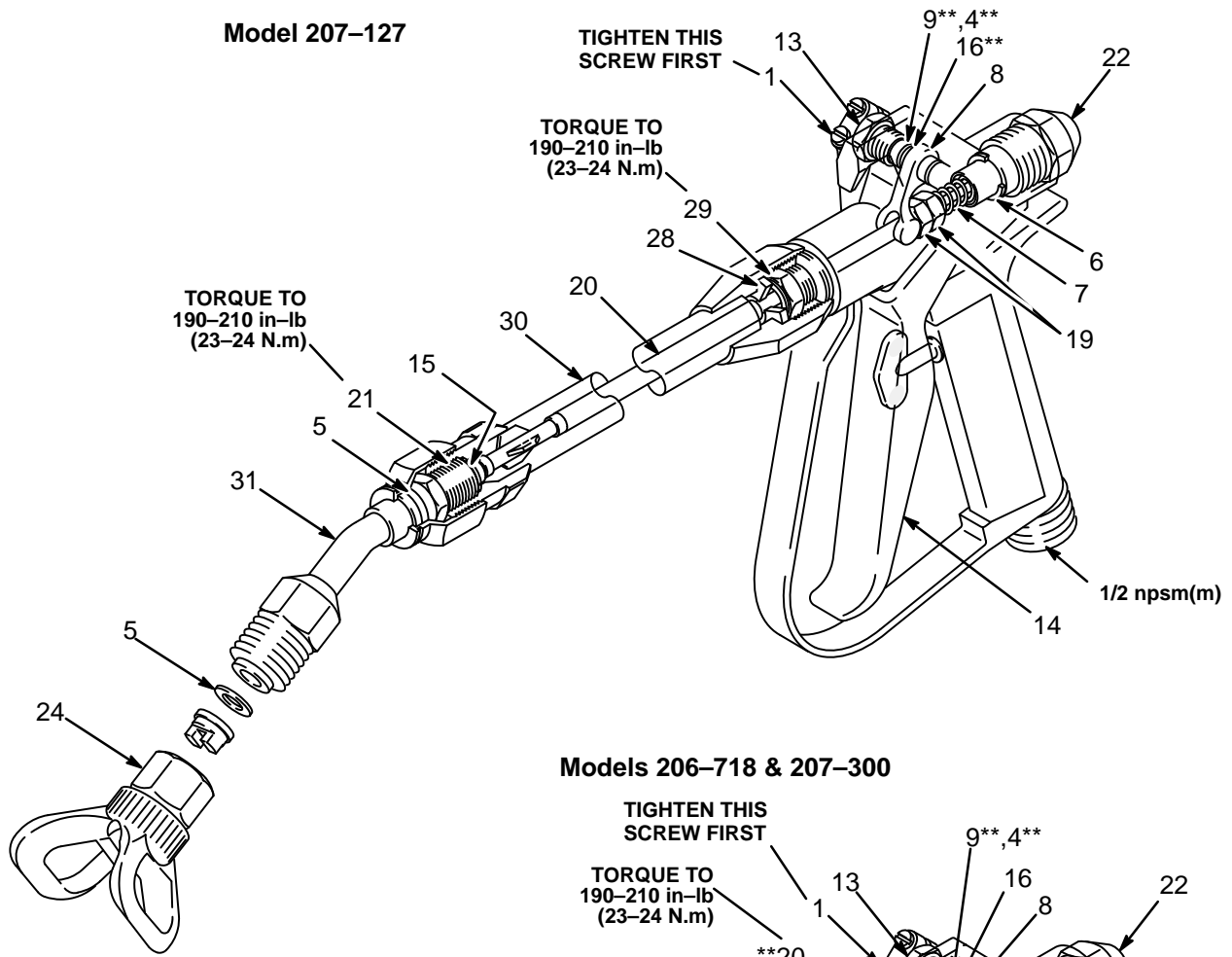


Fig 5

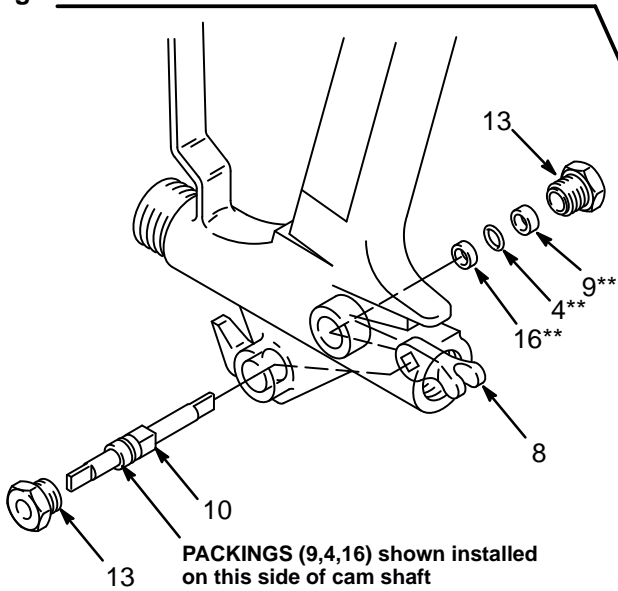
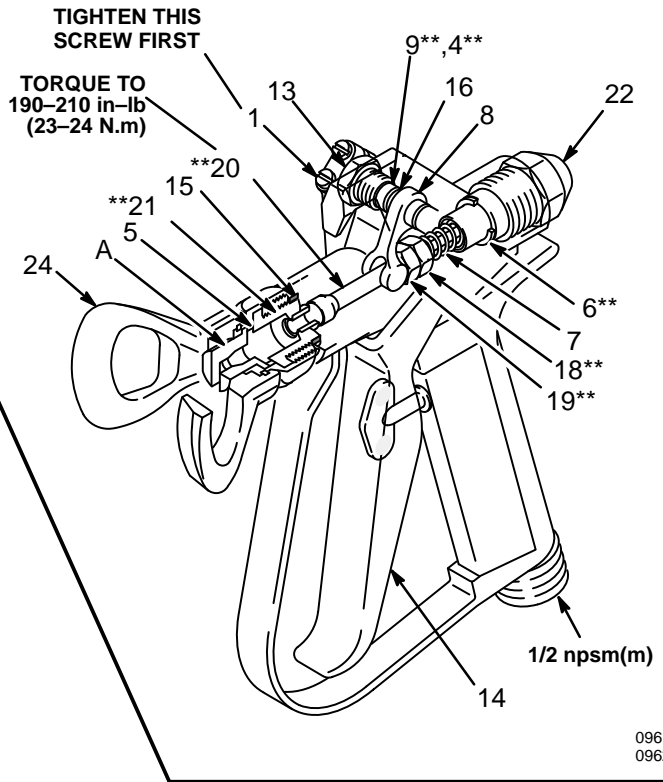


Fig 6

Models 206-718 & 207-300

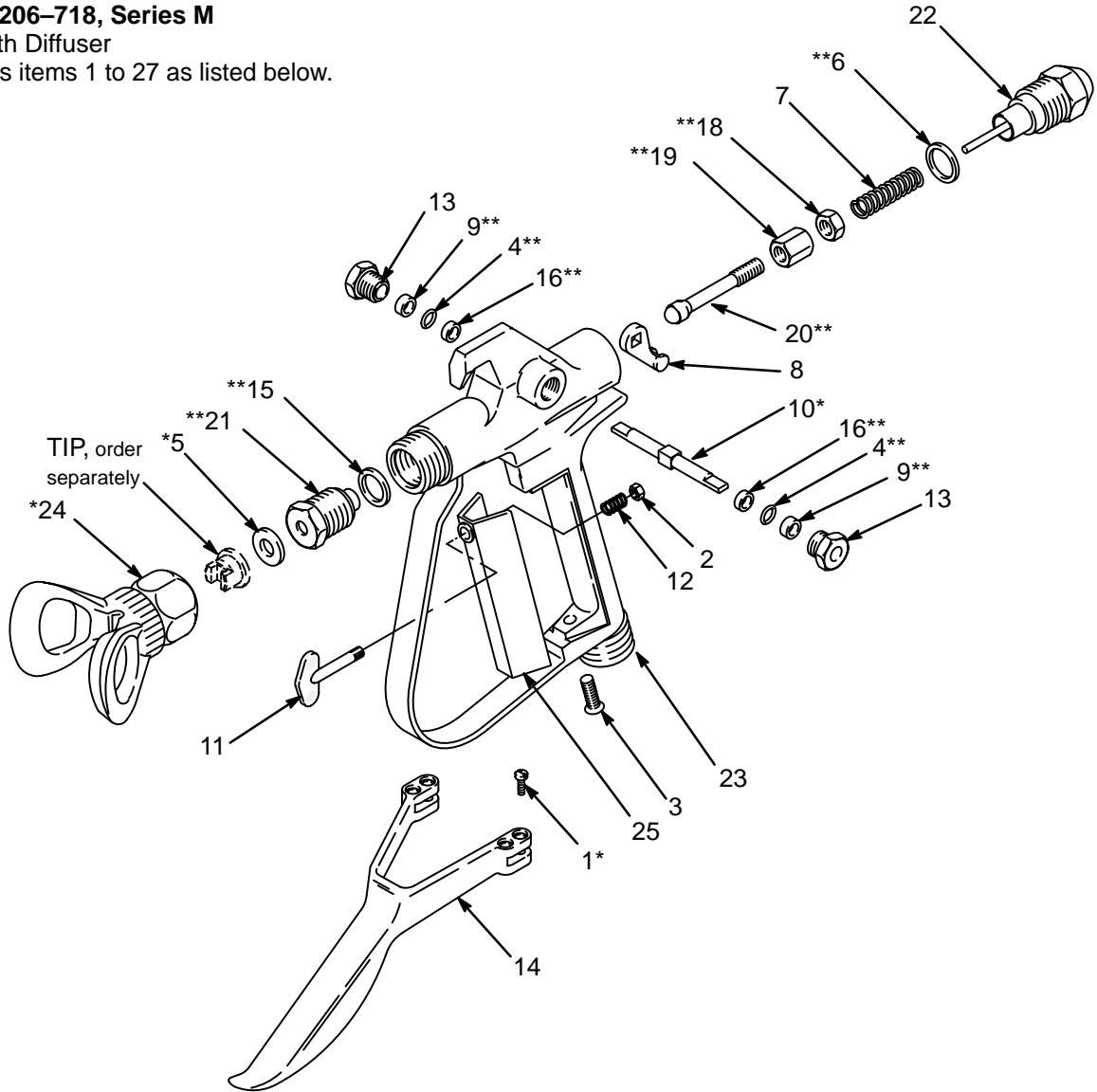


0961
0962

0963

Parts Drawing

Model 206-718, Series M
 Gun with Diffuser
 Includes items 1 to 27 as listed below.



0964

Parts List

REF NO.	PART NO.	DESCRIPTION	QTY	REF NO.	PART NO.	DESCRIPTION	QTY
1	101-890*	SCREW, fill hd, no. 6-32 x 7/16"	4	19	171-241**	NUT, adjusting	1
2	101-965	LOCKNUT, hex, no. 5-40	1	20	206-986**	NEEDLE, valve	1
3	102-365	SCREW, flat hd slotted, no. 8-32 x 3/4"	1	21	207-149**	HOUSING & SEAT	1
4	158-486**	O-RING, nitrile rubber	2	22	207-075	GUIDE & RETAINER	1
5	166-969*	WASHER, non metallic	1	23	207-502	BODY, gun	1
6	164-111**	GASKET, nylon	1	24	220-222*	GUARD, tip	1
7	164-112	SPRING, compression	1	25	210-682	GRIP, gun	1
8	164-114	LEVER, cam	1	26	172-479†	WARNING TAG (not shown)	1
9	164-116**	PACKING, flat, leather	2	27	222-385†	WARNING CARD, wallet, (not shown)	1
10	164-118*	SHAFT, cam	1				
11	166-936	STOP, trigger safety	1				
12	166-938	SPRING, helical compression	1				
13	167-045	NUT, packing, cam shaft	2				
14	167-047	TRIGGER	1				
15	167-730**	GASKET, copper, housing and seat	1				
16	167-957**	GLAND, packing	2				
18	171-240**	NUT, lock	1				

Included in **Repair Kit 207-018. Purchase separately.

* Recommended spare parts.
 Keep on hand to reduce down time.

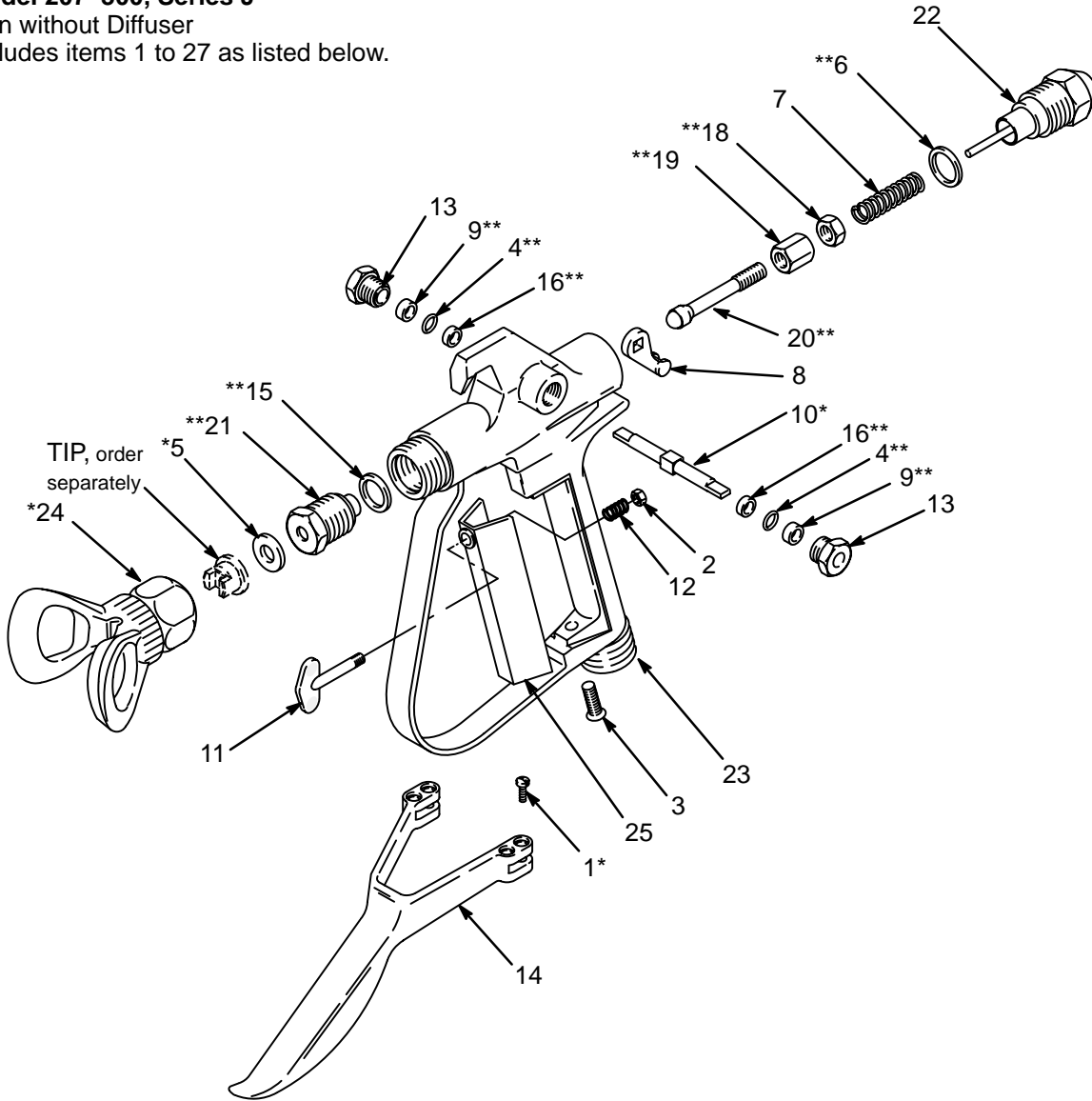
† Extra warning tags and cards available at no charge.

Parts Drawing

Model 207-300, Series J

Gun without Diffuser

Includes items 1 to 27 as listed below.



0964

Parts List

REF NO.	PART NO.	DESCRIPTION	QTY	REF NO.	PART NO.	DESCRIPTION	QTY
1	101-890*	SCREW, fill hd, no. 6-32 x 7/16"	4	19	171-241**	NUT, adjusting	1
2	101-965	LOCKNUT, hex, no. 5-40	1	20	206-986**	NEEDLE, valve	1
3	102-365	SCREW, flat hd slotted, no. 8-32 x 3/4"	1	21	206-987**	HOUSING & SEAT	1
4	158-486**	O-RING, nitrile rubber	2	22	207-075	GUIDE & RETAINER	1
5	162-863*	WASHER, non metallic	1	23	207-502	BODY, gun	1
6	164-111**	GASKET, nylon	1	24	220-222*	GUARD, tip	1
7	164-112	SPRING, compression	1	25	210-682	GRIP, gun	1
8	164-114	LEVER, cam	1	26	172-479†	WARNING TAG (not shown)	1
9	164-116**	PACKING, flat, leather	2	27	222-385†	WARNING CARD, wallet, (not shown)	1
10	164-118*	SHAFT, cam	1				
11	166-936	STOP, trigger safety	1				
12	166-938	SPRING, helical compression	1				
13	167-045	NUT, packing, cam shaft	2				
14	167-047	TRIGGER	1				
15	167-730**	GASKET, copper, housing and seat	1				
16	167-957**	GLAND, packing	2				
18	171-240**	NUT, lock	1				
12	306-863						

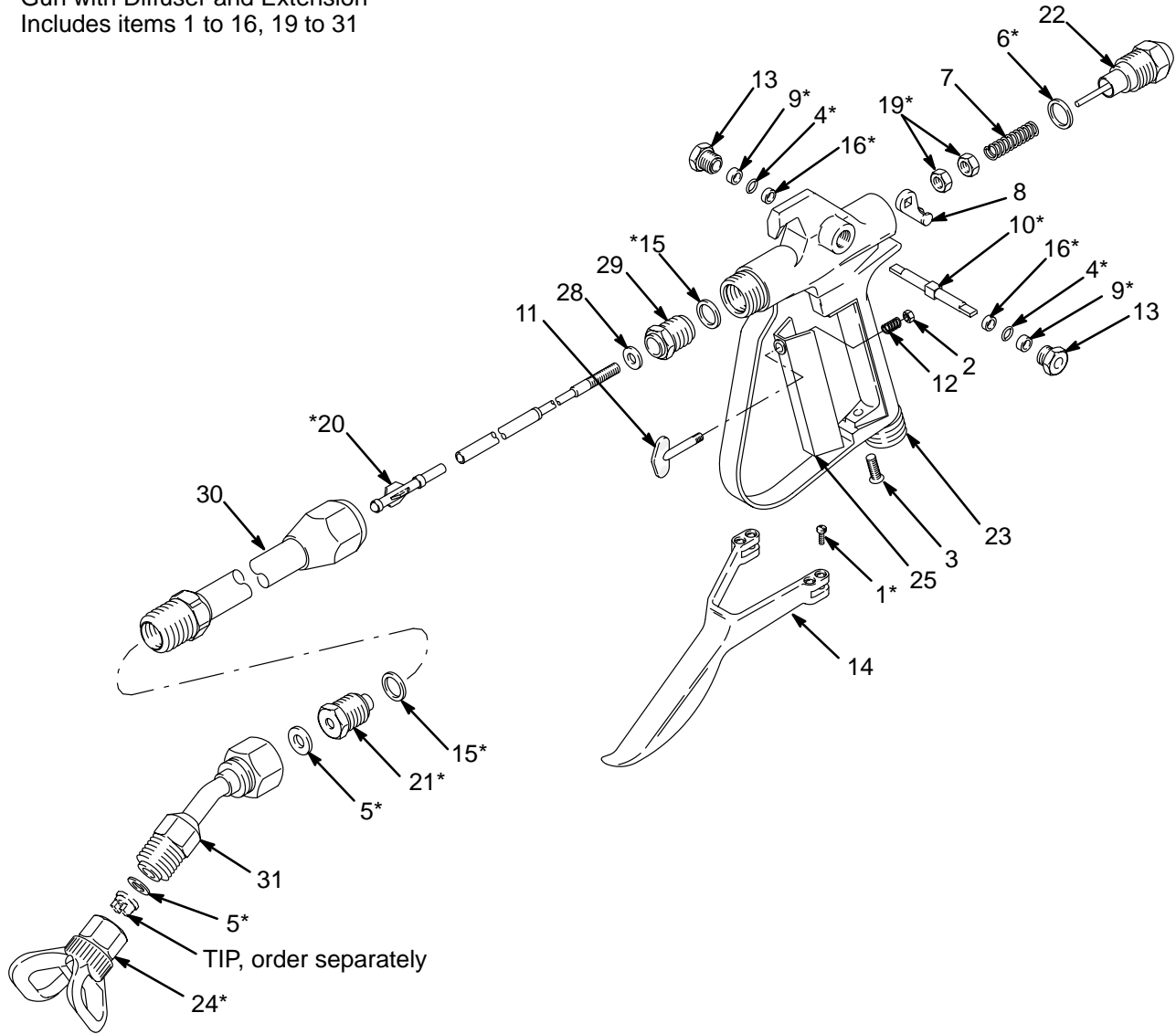
Included in **Repair Kit 207-371. Purchase separately.

* Recommended spare parts.
Keep on hand to reduce down time.

† Extra warning tags and cards available at no charge.

Parts Drawing

Model 207-127, Series K
 Gun with Diffuser and Extension
 Includes items 1 to 16, 19 to 31



0965

Parts Drawing

REF NO.	PART NO.	DESCRIPTION	QTY	REF NO.	PART NO.	DESCRIPTION	QTY
1	101-890*	SCREW, fill hd, no. 6-32 x 7/16"	4	22	207-075	GUIDE & RETAINER	1
2	101-965	LOCKNUT, hex, no. 5-40	1	23	207-502	BODY, gun	1
3	102-365	SCREW, flat hd slotted, no. 8-32 x 3/4"	1	24	220-222*	GUARD, tip	1
4	158-486*	O-RING, nitrile rubber	2	25	210-682	GRIP, gun	1
5	166-969*	WASHER, non metallic	2	26	172-479†	WARNING TAG (not shown)	1
6	164-111*	GASKET, nylon	1	27	222-385†	WARNING CARD, wallet, (not shown)	1
7	164-112	SPRING, compression	1	28	167-284	GASKET, nylon	1
8	164-114	LEVER, cam	1	29	167-285	RETAINER, gasket	1
9	164-116*	PACKING, flat, leather	2	30	207-135	EXTENSION, gun; 37.5" (950 mm) lg	1
10	164-118*	SHAFT, cam	1	31	207-136	ADAPTER, nozzle, 30°	1
11	166-936	STOP, trigger safety	1				
12	166-938	SPRING, helical compression	1				
13	167-045	NUT, packing, cam shaft	2				
14	167-047	TRIGGER	1				
15	167-730*	GASKET, copper, housing and seat	2				
16	167-957*	GLAND, packing	2				
19	167-283*	NUT, adjusting	2				
20	207-134*	NEEDLE, valve	1				
21	207-149*	HOUSING & SEAT	1				

NOTE: No repair kit is available for this model.

* Recommended spare parts.
 Keep on hand to reduce down time.

† Extra warning tags and cards available at no charge.

Extension Kit 207-049

Converts Standard Gun 206-718 or 207-300 to a pole gun.

INSTALLATION

⚠ WARNING



INJECTION HAZARD

To reduce the risk of serious injury, whenever you are instructed to relieve pressure, follow the **Pressure Relief Procedure** on page 6.

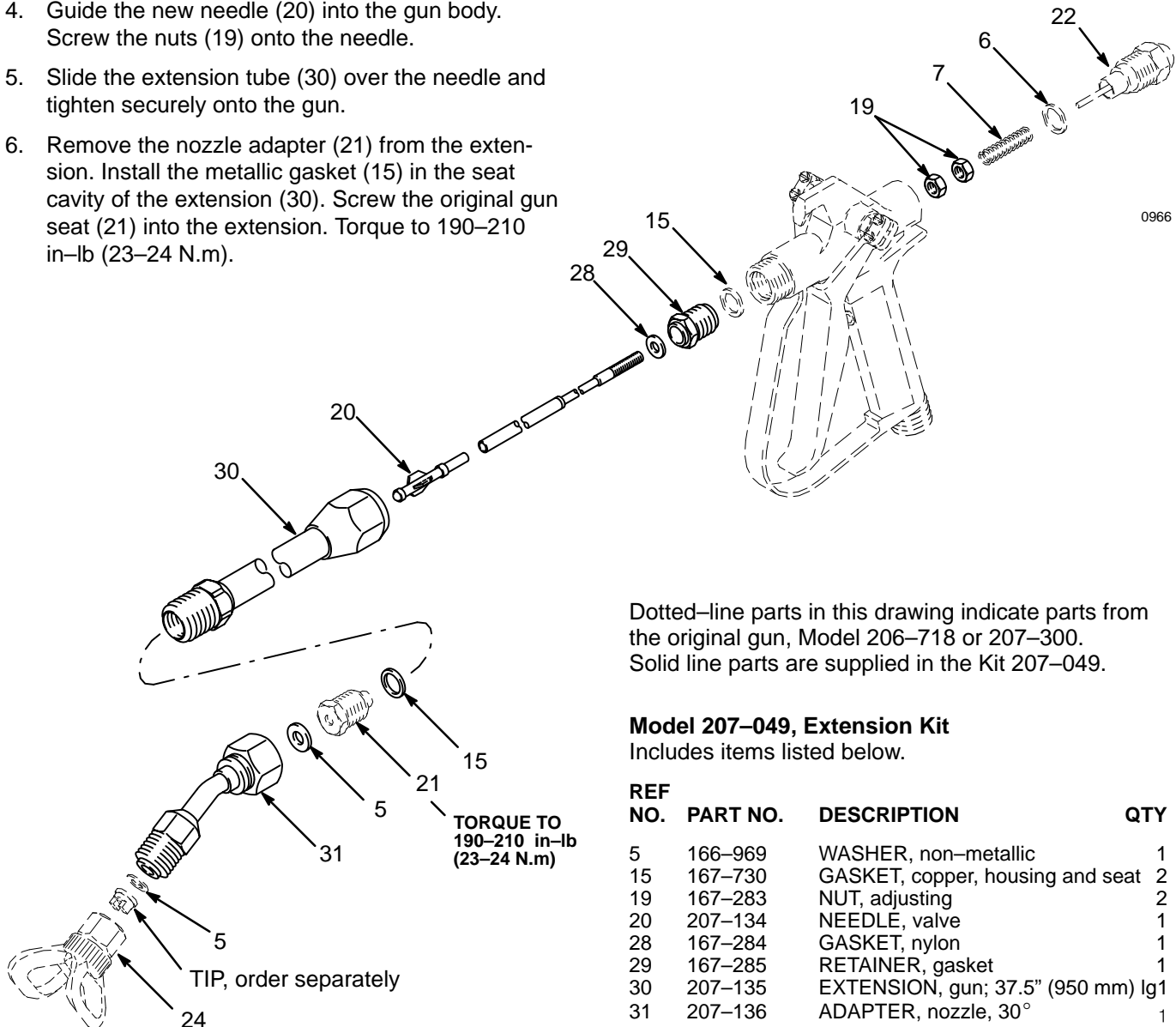
Procedure on page 6.

1. Relieve pressure. Disconnect the fluid hose.
2. Remove the nuts (19) and gasket retainer (29) and gasket (15) from the kit needle (20). Leave the large gasket (28) on the needle.
3. Install the new gasket (15) and gasket retainer (29) in the gun outlet. Torque to 190-210 in-lb (23-24 N.m).
4. Guide the new needle (20) into the gun body. Screw the nuts (19) onto the needle.
5. Slide the extension tube (30) over the needle and tighten securely onto the gun.
6. Remove the nozzle adapter (21) from the extension. Install the metallic gasket (15) in the seat cavity of the extension (30). Screw the original gun seat (21) into the extension. Torque to 190-210 in-lb (23-24 N.m).

7. Install the gasket (5) and screw on the nozzle adapter (31). Install the spring (7) on the rear of the needle.
8. Before completing the assembly, adjust the needle. See page 6.

⚠ WARNING

Proper needle adjustment is essential to be sure the safety latch makes the gun inoperative when engaged. Improper adjustment may allow the gun to be triggered, even with the safety latch engaged, resulting in serious injury, including fluid injection and splashing in the eyes or on the skin.



Dotted-line parts in this drawing indicate parts from the original gun, Model 206-718 or 207-300. Solid line parts are supplied in the Kit 207-049.

Model 207-049, Extension Kit

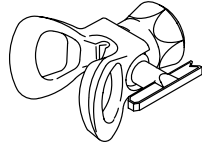
Includes items listed below.

REF NO.	PART NO.	DESCRIPTION	QTY
5	166-969	WASHER, non-metallic	1
15	167-730	GASKET, copper, housing and seat	2
19	167-283	NUT, adjusting	2
20	207-134	NEEDLE, valve	1
28	167-284	GASKET, nylon	1
29	167-285	RETAINER, gasket	1
30	207-135	EXTENSION, gun; 37.5" (950 mm) lg	1
31	207-136	ADAPTER, nozzle, 30°	1

Accessories

REVERSE-A-CLEAN IV DripLess™ Tip Guard 220-422

5000 psi (350 bar) MAXIMUM WORKING PRESSURE
Uses fluid pressure to clear tip clogs. Unique tip guard resists paint buildup. Spray tip not included; order separately.



SWIVELS

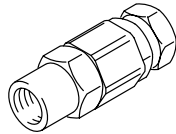
Use for more flexible gun movement

207-946 1/2 npsm (f) x 3/8 npt(f)
5000 psi (350 bar) MAX. WORKING PRES-

SURE

204-940 1/4 npt x 1/4 npsm
3000 psi (210 bar) MAX. WORKING PRES-

SURE



Manual Change Summary

The series levels of the spray guns in this manual have been updated to reflect levels directed by ECO F4440.

Technical Data

Maximum Working Pressure 3000 psi (210 bar)
Fluid Orifice Size 0.17 in. (4.32 mm) dia.
Wetted Parts Cast silicon brass,
Stainless steel, Tungsten carbide,
Acetal homopolymer, Buna-n,
Thiokol®-impregnated leather
Fluid Inlet Size 1/2 npsm(m)
Height 7.5 in. (216 mm)
Length 5 in. (127 mm)
Width 2.6 in. (67 mm)
Weight 2 lb (0.9 kg)

Sound Data*

Sound Pressure Level 78 dB(A)
Sound Power Level 87 dB(A)

*Measured while spraying water-base paint, gravity
1-36, through a 517 tip @ 3000 psi (bar) per ISO 3744.
Thiokol® is a registered trademark of the Thiokol Chemical Corporation.

The Graco Warranty and Disclaimers

Graco warrants all equipment manufactured by Graco and bearing its name to be free from defects in material and workmanship on the date of sale by an authorized Graco distributor to the original purchaser for use. With the exception of any special, extended, or limited warranty published by Graco, Graco will, for a period of twelve months from the date of sale, repair or replace any part of the equipment determined by Graco to be defective. This warranty applies only when the equipment is installed, operated and maintained in accordance with Graco's written recommendations.

This warranty does not cover, and Graco shall not be liable for general wear and tear, or any malfunction, damage or wear caused by faulty installation, misapplication, abrasion, corrosion, inadequate or improper maintenance, negligence, accident, tampering, or substitution of non-Graco component parts. Nor shall Graco be liable for malfunction, damage or wear caused by the incompatibility of Graco equipment with structures, accessories, equipment or materials not supplied by Graco, or the improper design, manufacture, installation, operation or maintenance of structures, accessories, equipment or materials not supplied by Graco.

This warranty is conditioned upon the prepaid return of the equipment claimed to be defective to an authorized Graco distributor for verification of the claimed defect. If the claimed defect is verified, Graco will repair or replace free of charge any defective parts. The equipment will be returned to the original purchaser transportation prepaid. If inspection of the equipment does not disclose any defect in material or workmanship, repairs will be made at a reasonable charge, which charges may include the costs of parts, labor, and transportation.

THIS WARRANTY IS EXCLUSIVE, AND IS IN LIEU OF ANY OTHER WARRANTIES, EXPRESS OR IMPLIED, INCLUDING BUT NOT LIMITED TO WARRANTY OF MERCHANTABILITY OR WARRANTY OF FITNESS FOR A PARTICULAR PURPOSE.

Graco's sole obligation and buyer's sole remedy for any breach of warranty shall be as set forth above. The buyer agrees that no other remedy (including, but not limited to, incidental or consequential damages for lost profits, lost sales, injury to person or property, or any other incidental or consequential loss) shall be available. Any action for breach of warranty must be brought within two (2) years of the date of sale.

Graco makes no warranty, and disclaims all implied warranties of merchantability and fitness for a particular purpose in connection with accessories, equipment, materials or components sold but not manufactured by Graco. These items sold, but not manufactured by Graco (such as electric motors, switches, hose, etc.), are subject to the warranty, if any, of their manufacturer. Graco will provide purchaser with reasonable assistance in making any claim for breach of these warranties.

In no event will Graco be liable for indirect, incidental, special or consequential damages resulting from Graco supplying equipment hereunder, or the furnishing, performance, or use of any products or other goods sold hereto, whether due to a breach of contract, breach of warranty, the negligence of Graco, or otherwise.

FOR GRACO CANADA CUSTOMERS

The parties acknowledge that they have required that the present document, as well as all documents, notices and legal proceedings entered into, given or instituted pursuant hereto or relating directly or indirectly hereto, be drawn up in English. Les parties reconnaissent avoir convenu que la rédaction du présente document sera en Anglais, ainsi que tous documents, avis et procédures judiciaires exécutés, donnés ou intentés à la suite de ou en rapport, directement ou indirectement, avec les procédures concernées.

Graco Phone Numbers

TO PLACE AN ORDER, contact your Graco distributor, or call this number to identify the distributor closest to you:
1-800-367-4023 Toll Free

*All written and visual data contained in this document reflects the latest product information available at the time of publication.
Graco reserves the right to make changes at any time without notice.*

Sales Offices: Minneapolis, Detroit, Los Angeles
Foreign Offices: Belgium, Canada, England, Korea, France, Germany, Hong Kong, Japan

GRACO INC. P.O. BOX 1441 MINNEAPOLIS, MN 55440-1441

<http://www.graco.com>

©1998-1965 Graco Inc. 306-863 Rev. G February 1998 PRINTED IN U.S.A.