

# Instructions - Parts List



## Model 205715 Agitator

307277L

EN

***For mastic fluids.***

*0.7 MPa (7 bar, 100 psi) Maximum Working Pressure*



### **Important Safety Instructions**

Read all warnings and instructions in this manual.  
Save these instructions.

PROVEN QUALITY. LEADING TECHNOLOGY.

# Table of Contents

Warnings .....	2
Installation .....	4
Operation .....	5
Maintenance .....	6
Parts .....	7
Dimensions .....	7
Warranty .....	8
Graco Information .....	8

# Symbols

## Warning Symbol



This symbol alerts you to the possibility of serious injury or death if you do not follow the instructions.

## Caution Symbol



This symbol alerts you to the possibility of damage to or destruction of equipment if you do not follow the corresponding instructions.

# WARNING



INSTRUCTIONS

## EQUIPMENT MISUSE HAZARD

Equipment misuse can cause the equipment to rupture or malfunction and result in serious injury.

- This equipment is for professional use only.
- Read all instruction manuals, tags, and labels before operating the equipment.
- Use the equipment only for its intended purpose. If you are uncertain about usage, call your Graco distributor.
- Do not alter or modify this equipment. Use only genuine Graco parts and accessories.
- Check equipment daily. Repair or replace worn or damaged parts immediately.
- Use fluids and solvents which are compatible with the equipment wetted parts. Refer to the **Technical Data** section of all equipment manuals. Read the fluid and solvent manufacturer's warnings.
- Do not exceed the maximum working pressure of the lowest rated system component. This equipment has a **0.7 MPa (7 bar, 100 psi) maximum working pressure**.
- Do not kink or overbend hoses or use hoses to pull equipment.
- Route hoses away from traffic areas, sharp edges, moving parts, and hot surfaces. Do not expose Graco hoses to temperatures above 82°C (180°F) or below -40°C (-40°F).
- Wear hearing protection when operating this equipment.
- Do not lift pressurized equipment.
- Comply with all applicable local, state, and national fire, electrical, and safety regulations.
- Never use 1.1.1-trichloroethane, methylene chloride, other halogenated hydrocarbon solvents or fluids containing such solvents in pressurized aluminum equipment. Such use could result in a chemical reaction, with the possibility of explosion.

# WARNING



## FIRE AND EXPLOSION HAZARD

Improper grounding, poor ventilation, open flames or sparks can cause a hazardous condition and result in a fire or explosion and serious injury.

- Ground the equipment and the object being sprayed. Refer to **Grounding** on page NO TAG.
- If there is any static sparking or you feel an electric shock while using this equipment, **stop spraying immediately**. Do not use the equipment until you identify and correct the problem.
- Provide fresh air ventilation to avoid the buildup of flammable fumes from solvents or the fluid being sprayed.
- Keep the spray area free of debris, including solvent, rags, and gasoline.
- Electrically disconnect all equipment in the spray area.
- Extinguish all open flames or pilot lights in the spray area.
- Do not smoke in the spray area.
- Do not turn on or off any light switch in the spray area while operating or if fumes are present.
- Do not operate a gasoline engine in the spray area.
- Keep a fire extinguisher in the work area.



## TOXIC FLUID HAZARD

Hazardous fluid or toxic fumes can cause serious injury or death if splashed in the eyes or on the skin, inhaled, or swallowed.

- Know the specific hazards of the fluid you are using.
- Store hazardous fluid in an approved container. Dispose of hazardous fluid according to all local, state and national guidelines.
- Always wear protective eyewear, gloves, clothing and respirator as recommended by the fluid and solvent manufacturer.

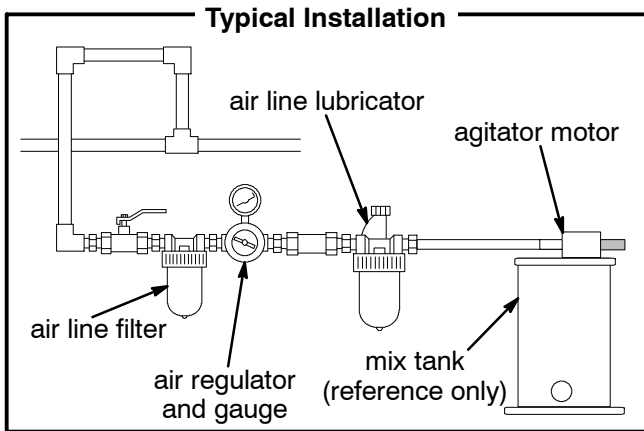


## MOVING PARTS HAZARD

Moving parts, such as the rotating blades of the agitator, can pinch or amputate your fingers or other body parts and can cause splashing in the eyes or on the skin.

- Keep clear of all moving parts when starting or operating the agitator.
- Always shut off the agitator and disconnect the air line before adjusting the angle of the agitator, removing the agitator from the drum, or checking or repairing any part of the agitator.

# Installation



## Grounding

Proper grounding is an essential part of maintaining a safe system.

To reduce the risk of static sparking, the mounting cover and all electrically conductive objects or devices in the spray area **must** be properly grounded. Check your local electrical code for detailed grounding instructions for your area and type of equipment.

**To ground the agitator**, connect one end of the ground wire (A) to the ground connector (B) on the rim of the drum cover. See Fig. 1. Connect the other end of the ground wire to a true earth ground.

For a ground wire and clamp, order Part No. 237569.

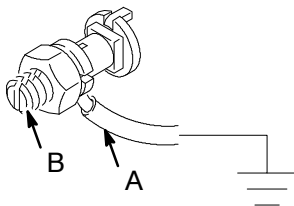


Fig. 1

## Installing the Agitator

This air operated agitator is for use with heavy materials, such as mastics. It has a 2.5 HP, 1000 RPM motor, and a shaft length of 825 mm (33.5 in.).

1. Remove the cover plate from the drum cover.
2. Loosen the nuts (206) and screws (210) and disassemble the shaft clamp (224).
3. Loosen the setscrews (208) while holding the agitator propellers (219) to the shaft. Use the 5/16 in. wrench (211). Remove the propellers.
4. Guide the agitator shaft (223) through the drum cover. The agitator will sit at an angle.
5. Fasten the agitator support (204) to the drum cover.
6. Assemble the propellers in their original positions and torque the setscrews to 11 to 15 N•m (96 to 132 in-lb).
7. Be sure the agitator shaft (223) is pushed into the agitator support (204) as far as possible, and the setscrew (213) is tightened firmly. Use the No. 10 setscrew wrench (215).
8. Position the shaft clamp (224) around the agitator shaft (223) and the cylinder of the displacement pump. Fasten with the screws (210), lockwashers (207) and nuts (206), and tighten firmly.

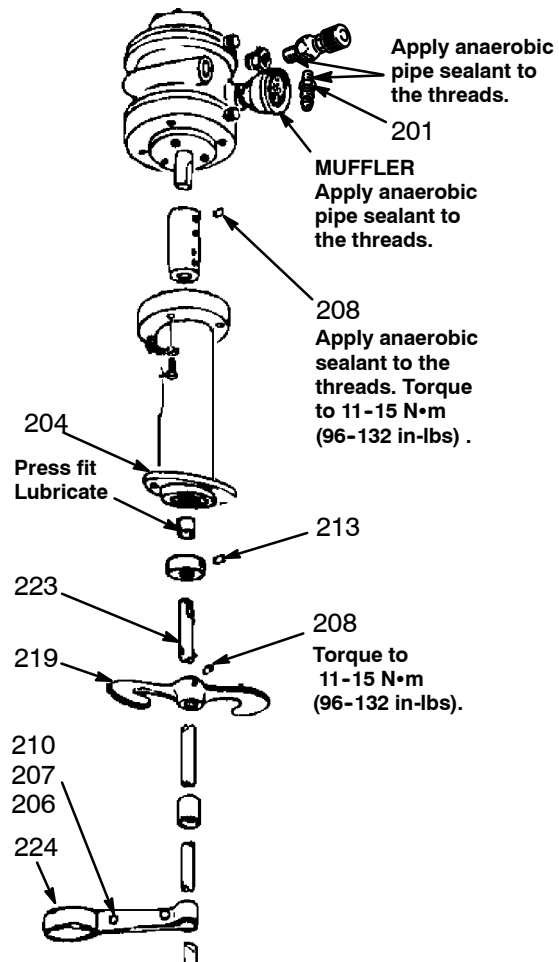


Fig. 2

# Operation

Provide clean, dry air to the agitator.

## CAUTION

Not lubricating the air motor will cause air motor failure.

For automatic lubrication of the agitator's air motor, install an air line lubricator. Set the lubricator feed rate at 1 drop of oil per minute for high speed or continuous duty usage. Do not overfeed oil or exhaust air may become contaminated. To manually lubricate the air motor, see **Lubricating the Air Motor** on page 6. *To order a 3/8" npt air line lubricator, order Part No. 214847.*

Use the needle valve (201) to control the speed of the motor. Do not exceed 0.7 MPa (7 bar, 100 psi) air pressure. Always use the lowest agitator speed necessary to thoroughly mix the material. Excessive speeds cause the fluid to aerate.

## WARNING

To reduce the risk of serious, including amputation of fingers or splashing fluid in the eyes or on the skin, always fully close the agitator needle valve (201) and disconnect the agitator air line before raising the drum cover, and before checking or repairing the agitator.

# Maintenance

## Lubricating the Air Motor

### CAUTION

Not lubricating the air motor will cause air motor failure.

If an air line lubricator is not installed, the air motor must be manually lubricated every 8 hours. Lubricate the agitator air motor by placing 10–20 drops of SAE #10 light oil in the motor's air inlet. Run the agitator for about 30 seconds.

*If the air motor is erratic or sluggish, clean the air motor as follows:*

### WARNING

Do not use kerosene or other flammable solvents to flush the air motor. Flushing with flammable solvents could cause fire or explosion and result in serious injury or property damage.

### WARNING

Hazardous fluids or toxic fumes can cause serious injury or death if splashed in the eyes or on the skin, swallowed, or inhaled. When flushing the air motor:

- Keep your face away from the exhaust port.
- Wear the appropriate protective clothing, gloves, eyewear, and respirator.

If the motor is sluggish or inefficient, flush it with non-flammable solvent in a well ventilated area.

The recommended solvent for air motors and lubricated pumps is Gast Flushing Solvent, Gast Part No. AH255 or AH255A, Loctite Safety Solvent, or Inhibisol Safety Solvent.

1. Disconnect the air line and muffler.
2. Add several teaspoons of solvent directly into the motor.
3. Rotate the shaft by hand in both directions for a few turns.
4. Reconnect the air line and slowly apply pressure until there is no trace of solvent in the exhaust air.
5. Re-lubricate the motor with a squirt of light-weight oil in the chamber.

## Service

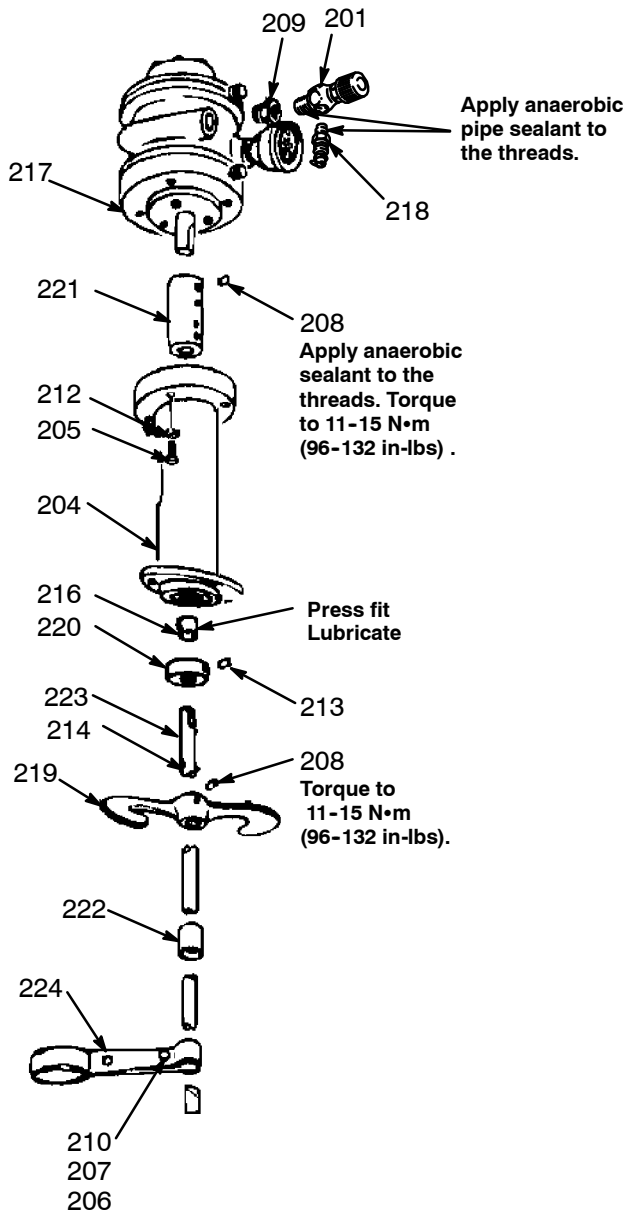
If the unit requires more than installation of a service kit, it is usually quickest and easiest to send the unit to the nearest Graco distributor for repair or replacement.

**NOTE:** If the vanes need replacing or foreign material is present in the motor chamber, and experienced mechanic may remove the end plate opposite the drive shaft end. Do not pry with a screwdriver. It will dent the surface of the plate and body, causing leaks.

Use a puller tool, which will remove the end plate while maintaining the position of the shaft. New vanes should have the edge with the corners cut at an angle or the notched edge (if reversible) toward the bottom of the vane slot.

**NOTE:** If the air motor still does not operate properly, contact a Graco distributor. Do not try to repair the air motor yourself.

# Parts



## Model 205715

Agitator  
Includes items 201 to 224

REF NO.	PART NO.	DESCRIPTION	QTY
201	206264	VALVE, needle; 1/8 npt(f); 1/4 npt (m)	1
202	202659	LUBRICANT, air motor	1
204	205755	SUPPORT, agitator	1
205	100003	SCREW, hex hd cap; 3/8-16 x 1-1/2"	4
206	100015	NUT, hex; 1/4-20	2
207	100016	LOCKWASHER, spring; 1/4"	2
208	100053	SCREW, soc hd cup pt set; 5/16 x 1/4"	6
209	100206	BUSHING, hex; 1/2 x 1/4 npt	1
210	100270	SCREW, hex hd cap; 1/4-20 x 5/8"	2
211	100633	WRENCH, 5/6"	1
212	100639	LOCKWASHER, ext shkprf; 3/8"	4
213	101118	SCREW, soc hd cup pt set; 10-24 x 1/4"	1
214	101349	PIN, drive; 4.1 mm (0.16") dia; 22.4 mm (0.88") lg	2
215	101369	WRENCH, for no. 10 setscrew	1
216	104391	BEARING, sleeve	1
217	101487	MOTOR, air	1
218	169969	FITTING, air line; 1/8 npt	1
219	159703	PROPELLER, agitator	2
220	159704	CUP, bearing protector	1
221	159705	COUPLING, agitator	1
222	162499	GUIDE, agitator	1
223	164984	SHAFT, drive	1
224	164985	CLAMP, agitator shaft	2

## Dimensions

Height ..... 1.42 m (56 in.)  
 Width ..... 675 mm (26.5 in.)  
 Weight ..... 135 kg (300 lb)

See separate component manuals for wetted parts.

# Graco Standard Warranty

Graco warrants all equipment manufactured by Graco and bearing its name to be free from defects in material and workmanship on the date of sale to the original purchaser for use. With the exception of any special, extended, or limited warranty published by Graco, Graco will, for a period of twelve months from the date of sale, repair or replace any part of the equipment determined by Graco to be defective. This warranty applies only when the equipment is installed, operated and maintained in accordance with Graco's written recommendations.

This warranty does not cover, and Graco shall not be liable for general wear and tear, or any malfunction, damage or wear caused by faulty installation, misapplication, abrasion, corrosion, inadequate or improper maintenance, negligence, accident, tampering, or substitution of non-Graco component parts. Nor shall Graco be liable for malfunction, damage or wear caused by the incompatibility of Graco equipment with structures, accessories, equipment or materials not supplied by Graco, or the improper design, manufacture, installation, operation or maintenance of structures, accessories, equipment or materials not supplied by Graco.

This warranty is conditioned upon the prepaid return of the equipment claimed to be defective to an authorized Graco distributor for verification of the claimed defect. If the claimed defect is verified, Graco will repair or replace free of charge any defective parts. The equipment will be returned to the original purchaser transportation prepaid. If inspection of the equipment does not disclose any defect in material or workmanship, repairs will be made at a reasonable charge, which charges may include the costs of parts, labor, and transportation.

**THIS WARRANTY IS EXCLUSIVE, AND IS IN LIEU OF ANY OTHER WARRANTIES, EXPRESS OR IMPLIED, INCLUDING BUT NOT LIMITED TO WARRANTY OF MERCHANTABILITY OR WARRANTY OF FITNESS FOR A PARTICULAR PURPOSE.**

Graco's sole obligation and buyer's sole remedy for any breach of warranty shall be as set forth above. The buyer agrees that no other remedy (including, but not limited to, incidental or consequential damages for lost profits, lost sales, injury to person or property, or any other incidental or consequential loss) shall be available. Any action for breach of warranty must be brought within two (2) years of the date of sale.

Graco makes no warranty, and disclaims all implied warranties of merchantability and fitness for a particular purpose in connection with accessories, equipment, materials or components sold but not manufactured by Graco. These items sold, but not manufactured by Graco (such as electric motors, switches, hose, etc.), are subject to the warranty, if any, of their manufacturer. Graco will provide purchaser with reasonable assistance in making any claim for breach of these warranties.

In no event will Graco be liable for indirect, incidental, special or consequential damages resulting from Graco supplying equipment hereunder, or the furnishing, performance, or use of any products or other goods sold hereto, whether due to a breach of contract, breach of warranty, the negligence of Graco, or otherwise.

## **FOR GRACO CANADA CUSTOMERS**

The parties acknowledge that they have required that the present document, as well as all documents, notices and legal proceedings entered into, given or instituted pursuant hereto or relating directly or indirectly hereto, be drawn up in English. Les parties reconnaissent avoir convenu que la rédaction du présente document sera en Anglais, ainsi que tous documents, avis et procédures judiciaires exécutés, donnés ou intentés à la suite de ou en rapport, directement ou indirectement, avec les procédures concernées.

# Graco Information

**TO PLACE AN ORDER**, contact your Graco distributor, or call to identify the nearest distributor:

**1-800-328-0211 Toll Free**

**612-623-6921**

**612-378-3505 Fax**

*All written and visual data contained in this document reflects the latest product information available at the time of publication.  
Graco reserves the right to make changes at any time without notice.*

MM 307277

**Graco Headquarters:** Minneapolis

**International Offices:** Belgium, China, Japan, Korea

**GRACO INC. P.O. BOX 1441 MINNEAPOLIS, MN 55440-1441**

**<http://www.graco.com>**

PRINTED IN U.S.A. 307277 12/1977, Revised 02/2019