

Dispenser Bar

307742P

EN

Used for low volume dispense of petroleum-based lubricants. For professional use only.

Model 220107, Series A

900 psi (6.2 MPa, 62 bar) Maximum Working Pressure

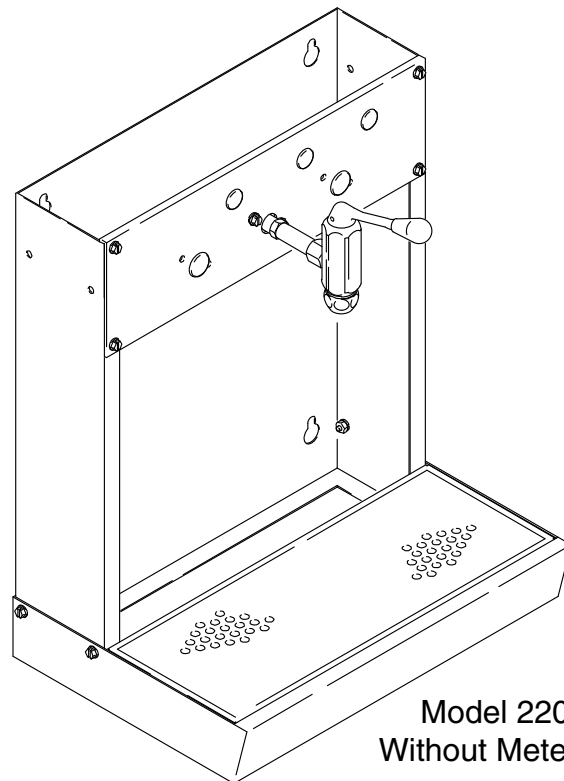
Model 220107, Series A, with Meter Kit 239706

500 psi (3.4 MPa, 34 bar) Maximum Working Pressure



Important Safety Instructions

Read all warnings and instructions in this manual. Save these instructions.








Model 220107
Without Meter Kit

Table of Contents

Warnings	3
Installation	4
Service	5
Parts	6
Accessories	8
Dimensions	9
Graco Standard Warranty	10

Warnings


The following warnings are for the setup, use, grounding, maintenance, and repair of this equipment. The exclamation point symbol alerts you to a general warning and the hazard symbols refer to procedure-specific risks. When these symbols appear in the body of this manual, refer back to these Warnings. Product-specific hazard symbols and warnings not covered in this section may appear throughout the body of this manual where applicable.

 WARNING	
 	<p>SKIN INJECTION HAZARD</p> <p>High-pressure fluid from dispensing device, hose leaks, or ruptured components will pierce skin. This may look like just a cut, but it is a serious injury that can result in amputation. Get immediate surgical treatment.</p> <ul style="list-style-type: none"> • Do not point dispensing device at anyone or at any part of the body. • Do not put your hand over the fluid outlet. • Do not stop or deflect leaks with your hand, body, glove, or rag. • Follow the Pressure Relief Procedure when you stop dispensing and before cleaning, checking, or servicing equipment. • Tighten all fluid connections before operating the equipment. • Check hoses and couplings daily. Replace worn or damaged parts immediately.
 	<p>EQUIPMENT MISUSE HAZARD</p> <p>Misuse can cause death or serious injury.</p> <ul style="list-style-type: none"> • Do not operate the unit when fatigued or under the influence of drugs or alcohol. • Do not exceed the maximum working pressure or temperature rating of the lowest rated system component. See Technical Data in all equipment manuals. • Use fluids and solvents that are compatible with equipment wetted parts. See Technical Data in all equipment manuals. Read fluid and solvent manufacturer's warnings. For complete information about your material, request MSDS from distributor or retailer. • Do not leave the work area while equipment is energized or under pressure. • Turn off all equipment and follow the Pressure Relief Procedure when equipment is not in use. • Check equipment daily. Repair or replace worn or damaged parts immediately with genuine manufacturer's replacement parts only. • Do not alter or modify equipment. Alterations or modifications may void agency approvals and create safety hazards. • Make sure all equipment is rated and approved for the environment in which you are using it. • Use equipment only for its intended purpose. Call your distributor for information. • Route hoses and cables away from traffic areas, sharp edges, moving parts, and hot surfaces. • Do not kink or over bend hoses or use hoses to pull equipment. • Keep children and animals away from work area. • Comply with all applicable safety regulations.

Installation

NOTE: Be sure to install a fluid shutoff valve, located close to the dispenser bar, to shut off fluid to the dispenser when servicing.

Refer to the Parts Drawing on page 6 to assembly the dispenser. The numbers in parentheses in the text refer to the numbers in the Parts Drawing.

						
COMPONENT RUPTURE HAZARD						
<ul style="list-style-type: none">Do not exceed 900 psi (3.4 MPa, 34 bar) fluid pressure to the dispenser.Do not exceed 500 psi (6.2 MPa, 62 bar) fluid pressure to the dispenser with a meter kit. Exceeding this pressure could cause the component to rupture and result in serious injury. A thermal pressure relief kit (235998) is required in closed systems that use this meter kit.						

- Secure the manifold to the front panel with two lockwashers (2) and screws (5).
- Screw the valve (16) onto the adapter (8). Make sure the valve's outlet points down.
- Screw the swivel union (9) into the manifold (13).
- Connect the front panel (11) to the back panel (12) with the screws (5), lockwashers (2), and nuts (1).
- Plug each unused hole in the front panel (11) with screws (5) and lock washers (2), the 7/8 in. button plugs (3), or the 1-1/16 in. button pugs (6), as appropriate.

NOTE: A Solenoid Valve and Ready Light Kit are available for signaling when an order is ready to dispense. See Accessories on page 8.

- Connect the fluid line to the swivel union (9).

Assembly

- Slide strainer (14) into the front of the drain pan (15).
- Slide the back panel (12) into the drain pan (15) and secure it with screw (5), lockwasher (2) and nuts (1).
- Screw the pipe plug (4) into the bottom of the drain pan (15).
- Mount the dispenser on the wall with the washers (7) and other suitable hardware.

NOTICE
Be sure the wall and mounting hardware used can support the combined weight of the dispenser, fluid, receiving containers, and any other stress caused by operating the valve. Allow enough room under the drain pan (15) to drain fluid into a container.

NOTE: Extra washers (7), screw (5), locker washers (2), and nuts (1) are included for connecting the sides of two dispenser bars together. See the DETAIL in the Parts Drawing on page 6.

- Insert the adapter (8) through the front panel (11).
- Screw the manifold (13) onto the adapter (11).

Service

Dispensing Valve Service and Adjustment

Refer to Parts Drawing on page 7 for the following instructions.

To clean the valve seal (107):

- a. Screw the valve nozzle (106) off the valve housing (111).
- b. Remove the gasket (109).
- c. Unscrew the retaining screw (108) from the valve stem (110).
- d. Remove the valve seal (107).
- e. Clean and inspect all parts and replace as necessary. Reassemble the valve making sure the gasket (109) is in place.

To adjust the dispensing valve:

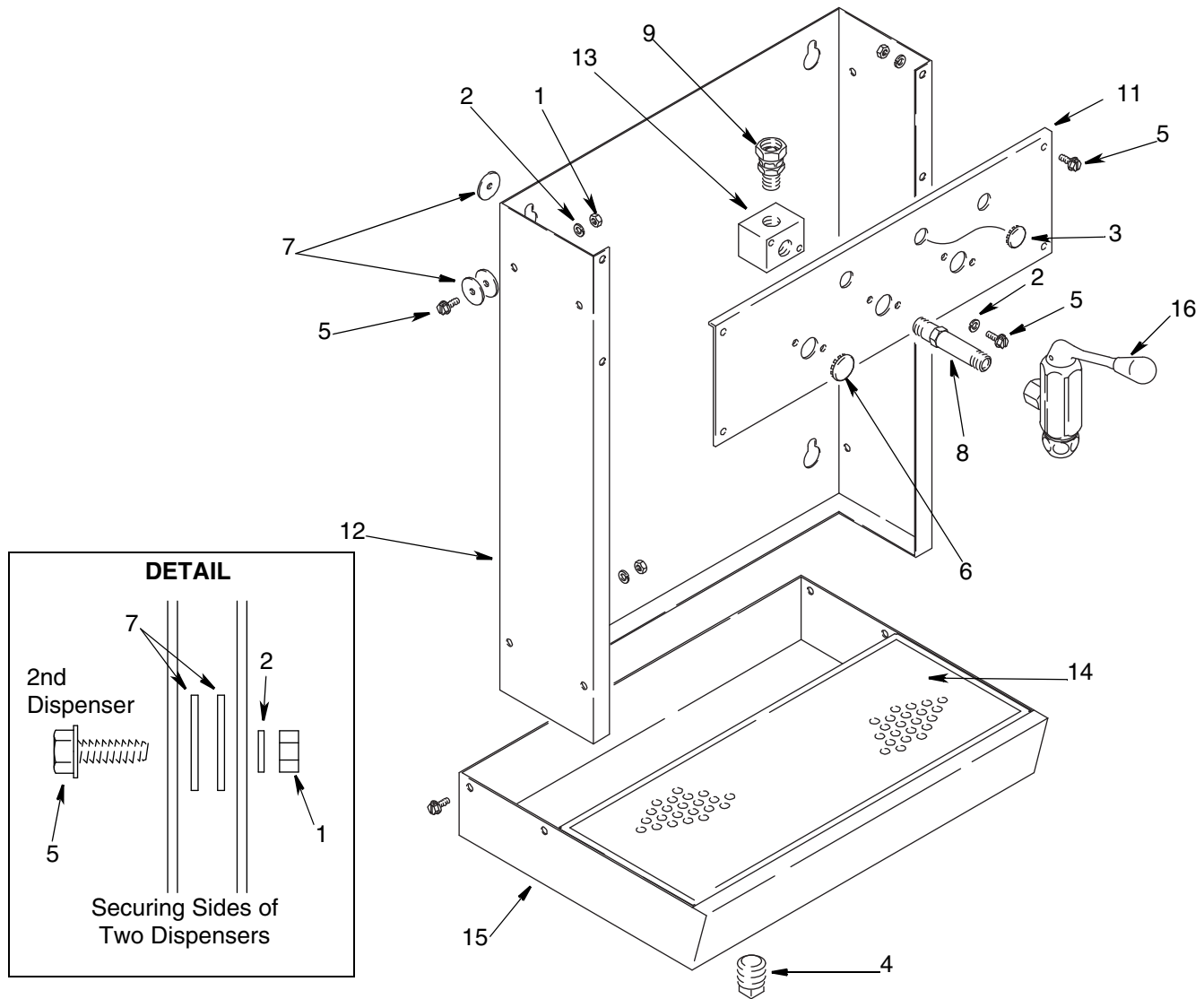
- a. Drive the pin (113) out of the handle (103) with a 1/8 in. drift pin.
- b. Remove the valve handle (103) from the stem (110).
- c. Turn the adjusting nut (104) upward until a small gap (0.040 in maximum) exists between the handle (103) and the valve housing (111) when the valve is reassembled.
- d. Reinstall the handle on the stem.
- e. Reinstall the pin.

NOTE: Clearance between the valve handle (103) and the valve housing (111) is necessary to ensure proper dispensing valve operation.

To replace the valve stem (110), spring (112) or packings (105):

- a. Drive the pin (113) out of the handle (103) with a 1/8 in. drift pin.
- b. Remove the valve handle (103) from the stem (110).
- c. Screw the valve nozzle (106) off the valve housing (111).
- d. Remove the gasket (109).
- e. Screw adjusting nut (104) off the valve stem (110).
- f. Pull the stem out through the bottom of the valve housing (111).
- g. Clean and inspect all parts and replace as necessary.
- h. Reassemble valve.
- i. Turn the adjusting nut (104) upward until a small gap (0.040 in maximum) exists between the handle (103) and the valve housing (111) when the valve is reassembled.
- j. Reinstall the handle on the stem.
- k. Reinstall the pin.

Parts



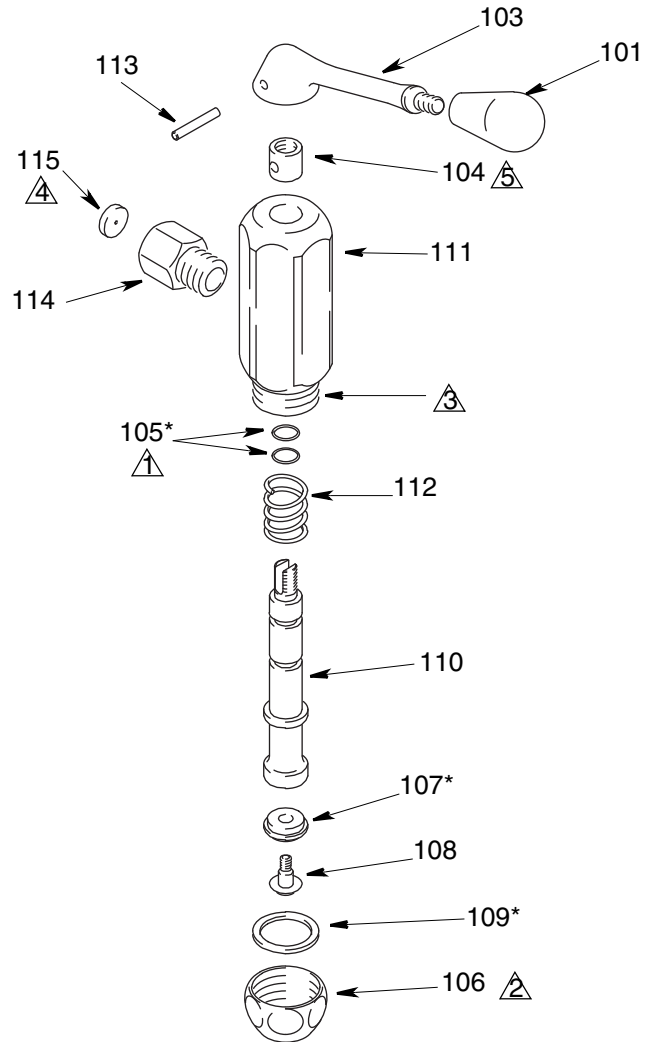
Oil Dispenser Model 220107, Series A

Ref No.	Part No.	Description	Qty.	Ref No.	Part No.	Description	Qty.
1	100015	NUT, hex, 1/4-20 unc-2A	16	13*	181317	MANIFOLD, dispenser	1
2	100016	LOCKWASHER, 1/4 in.	18	14	181319	STAINER, pan	1
3	102521	BUTTON, plug, 7/8 in. dia.	3	15	16D537	PAN, drain	1
4	104663	PLUG, pipe, sq head, 3/4-14 npt	1	16*	220110	VALVE (See page 7 for parts)	1
5	108296	SCREW, hex washer hd, 1/4-20 unc-2A, 5/8 in. long	18	* Supplied in dispenser valve kit 220112. See Accessories			
6	108297	BUTTON, plug, 1-1/16 in. dia	2				
7	159346	WASHER, 1/4 in.	6				
8*	160790	NIPPLE, adapter	1				
9*	162505	UNION, swivel	1				
11	181315	PANEL, front	1				
12	181316	PANEL, back	1				

Ref. No. 16
Model 220110
 Dispensing Valve

Ref No.	Part No.	Description	Qty.
101	108789	KNOB, handle	1
103	154773	HANDLE	1
104	154891	NUT, adjusting	1
105*	154594	PACKING, o-ring, nitrile rubber	2
106	166779	NOZZLE, valve	1
107*	156312	SEAL, valve, nitrile rubber	1
108	156311	SCREW, valve	1
109*	558690	O-RING	1
110	154781	STEM, valve	1
111	179932	HOUSING, valve	1
112	150534	SPRING, compression	1
113	155473	PIN, 5/32 in. x 1 in. long	1
114	112122	ADAPTER, 3/8 in (m x f) npt	1
115	190223	RESTRICTOR	1

* Recommended "tool box" spare parts. Keep on hand to reduce downtime



- 1 Apply lubricant to o-ring.
- 2 Torque to 120 to 130 in-lb (14 to 15 N.m)
- 3 Apply lubricant to housing threads.
- 4 Press fit.
- 5 Turn nut (104) upward until a small gap (0.04 in. max.) exists between the handle (103) and the housing (111). See Step 2 under Maintenance.

Accessories

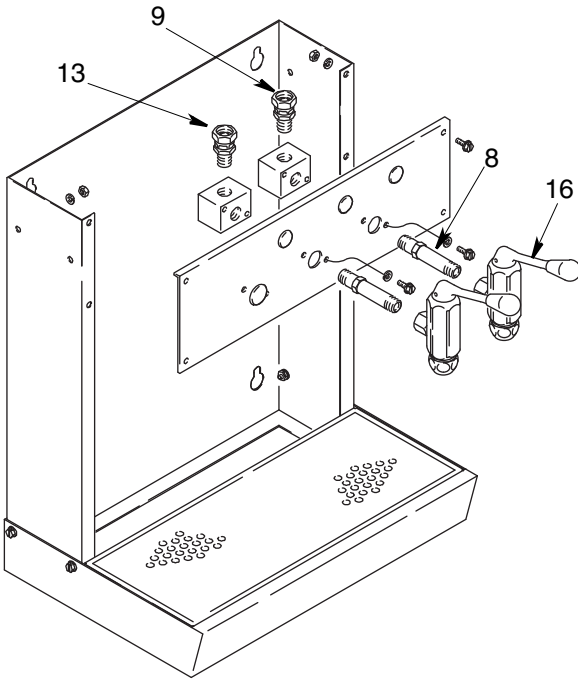
Solenoid Valve and Ready Light Kit 218588

Air operated solenoid valve opens and closes to control fluid flow to the dispensing station. Light signals the operator when the order is ready to dispense. See manual 307696.

Dispenser Valve Kit 220112

To add an additional dispenser valve.

Ref No.	Description	Qty.
8	Nipple, adapter	1
9	UNION, swivel	1
13	MANIFOLD, dispenser	1
16	VALVE	1



Thermal Relief Kit 235998

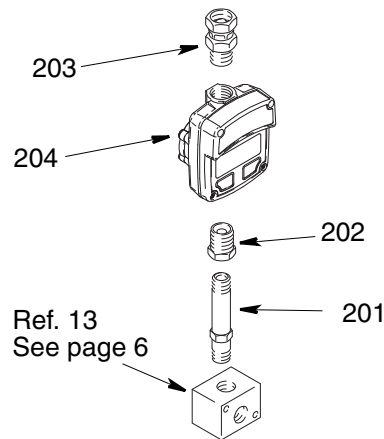
(1/2 npt (m) x 1/2 npt (f))

Install downstream from the pump.

Dispenser Meter Kit 239706

To add an electronic gallon/quart/ pint/liter totalizing meter.

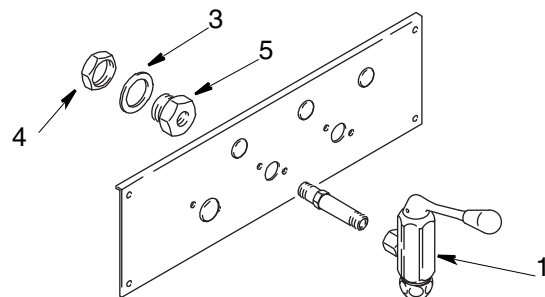
Ref No.	Description	Qty.
201	NIPPLE, adapter	1
202	BUSHING, pipe, 1/2 x 3/8 npt	1
203	UNION, adapter	1
204	METER, electronic	1



Dispenser Valve Kit 221127

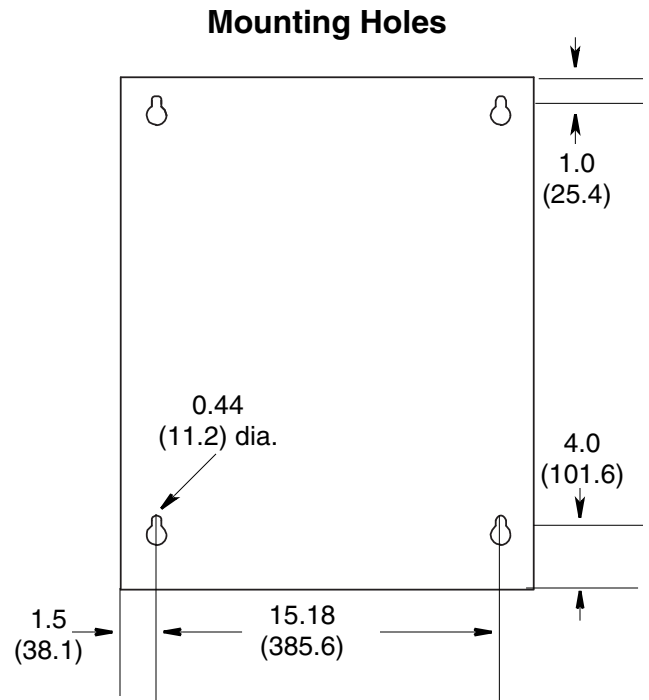
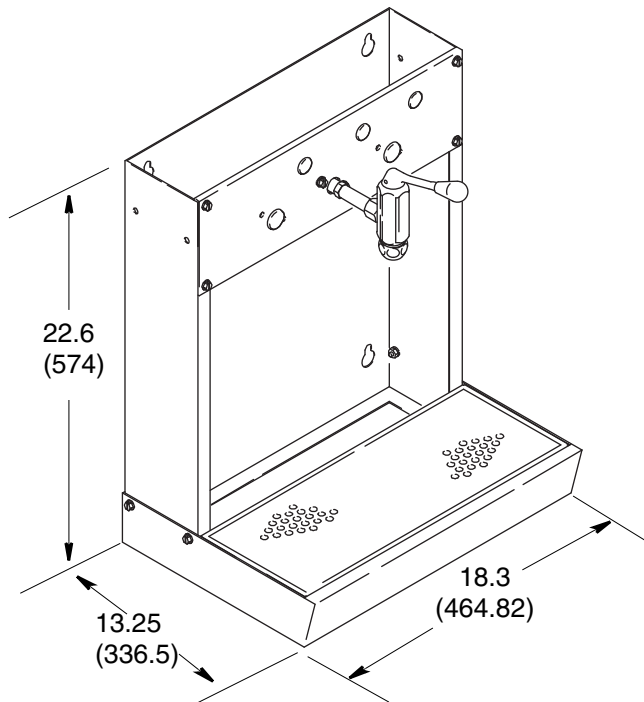
Adapts dispensing valve 220110 to the old style dispensing bars.

Ref No.	Description	Qty.
1	VALVE, dispensing	1
2	NIPPLE, adapter	1
3	WASHER	1
4	NUT	1
5	ADAPTER	1



Dimensions

Inches (mm)



Technical Data

Dispenser Bar	US	Metric
Maximum fluid working pressure		
Dispenser Only	900 psi	6.2 MPa, 62 bar
Dispenser with meter kit	500 psi	3.4 MPa, 34 bar
Fluid inlet size	1/2 npt	
Drain hose size	3/4 npt	
Weight	35 lbs	15.75 kg

Graco Standard Warranty

Graco warrants all equipment referenced in this document which is manufactured by Graco and bearing its name to be free from defects in material and workmanship on the date of sale to the original purchaser for use. With the exception of any special, extended, or limited warranty published by Graco, Graco will, for a period of twelve months from the date of sale, repair or replace any part of the equipment determined by Graco to be defective. This warranty applies only when the equipment is installed, operated and maintained in accordance with Graco's written recommendations.

This warranty does not cover, and Graco shall not be liable for general wear and tear, or any malfunction, damage or wear caused by faulty installation, misapplication, abrasion, corrosion, inadequate or improper maintenance, negligence, accident, tampering, or substitution of non-Graco component parts. Nor shall Graco be liable for malfunction, damage or wear caused by the incompatibility of Graco equipment with structures, accessories, equipment or materials not supplied by Graco, or the improper design, manufacture, installation, operation or maintenance of structures, accessories, equipment or materials not supplied by Graco.

This warranty is conditioned upon the prepaid return of the equipment claimed to be defective to an authorized Graco distributor for verification of the claimed defect. If the claimed defect is verified, Graco will repair or replace free of charge any defective parts. The equipment will be returned to the original purchaser transportation prepaid. If inspection of the equipment does not disclose any defect in material or workmanship, repairs will be made at a reasonable charge, which charges may include the costs of parts, labor, and transportation.

THIS WARRANTY IS EXCLUSIVE, AND IS IN LIEU OF ANY OTHER WARRANTIES, EXPRESS OR IMPLIED, INCLUDING BUT NOT LIMITED TO WARRANTY OF MERCHANTABILITY OR WARRANTY OF FITNESS FOR A PARTICULAR PURPOSE.

Graco's sole obligation and buyer's sole remedy for any breach of warranty shall be as set forth above. The buyer agrees that no other remedy (including, but not limited to, incidental or consequential damages for lost profits, lost sales, injury to person or property, or any other incidental or consequential loss) shall be available. Any action for breach of warranty must be brought within two (2) years of the date of sale.

GRACO MAKES NO WARRANTY, AND DISCLAIMS ALL IMPLIED WARRANTIES OF MERCHANTABILITY AND FITNESS FOR A PARTICULAR PURPOSE, IN CONNECTION WITH ACCESSORIES, EQUIPMENT, MATERIALS OR COMPONENTS SOLD BUT NOT MANUFACTURED BY GRACO. These items sold, but not manufactured by Graco (such as electric motors, switches, hose, etc.), are subject to the warranty, if any, of their manufacturer. Graco will provide purchaser with reasonable assistance in making any claim for breach of these warranties.

In no event will Graco be liable for indirect, incidental, special or consequential damages resulting from Graco supplying equipment hereunder, or the furnishing, performance, or use of any products or other goods sold hereto, whether due to a breach of contract, breach of warranty, the negligence of Graco, or otherwise.

FOR GRACO CANADA CUSTOMERS

The Parties acknowledge that they have required that the present document, as well as all documents, notices and legal proceedings entered into, given or instituted pursuant hereto or relating directly or indirectly hereto, be drawn up in English. Les parties reconnaissent avoir convenu que la rédaction du présente document sera en Anglais, ainsi que tous documents, avis et procédures judiciaires exécutés, donnés ou intentés, à la suite de ou en rapport, directement ou indirectement, avec les procédures concernées.

Graco Information

For the latest information about Graco products, visit www.graco.com.

TO PLACE AN ORDER, contact your Graco distributor or call to identify the nearest distributor.

Phone: 612-623-6928 or **Toll Free:** 1-800-533-9655, **Fax:** 612-378-3590

*All written and visual data contained in this document reflects the latest product information available at the time of publication.
Graco reserves the right to make changes at any time without notice.*

For patent information, see www.graco.com/patents.

Original instructions. This manual contains English. MM 307742

Graco Headquarters: Minneapolis
International Offices: Belgium, China, Japan, Korea

GRACO INC. AND SUBSIDIARIES • P.O. BOX 1441 • MINNEAPOLIS MN 55440-1441 • USA

Copyright 1985, Graco Inc. All Graco manufacturing locations are registered to ISO 9001.

www.graco.com
Revised February 2017