


# INSTRUCTIONS—PARTS LIST



# 307-900

Rev. H  
Supersedes Rev. F  
and includes Rev. G



This manual contains important warnings and information.  
**READ AND RETAIN FOR REFERENCE**

**INSTRUCTIONS**

## STAINLESS STEEL (ASME) Pressure Tanks

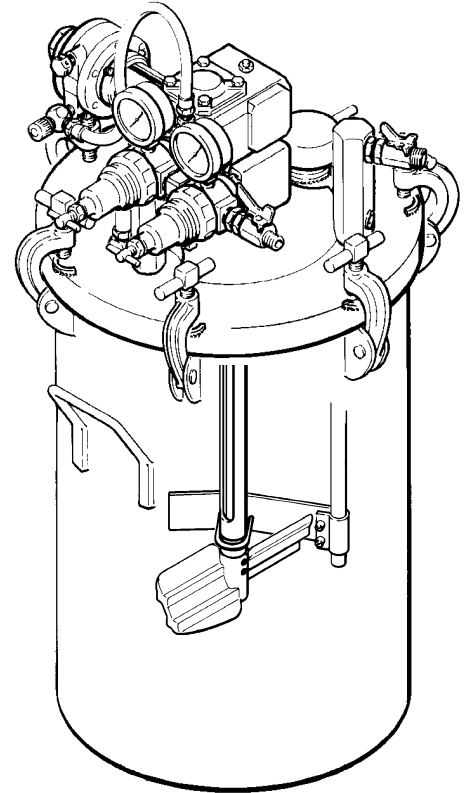
*100 psi (7 bar) Maximum Working Pressure*



**Approved**

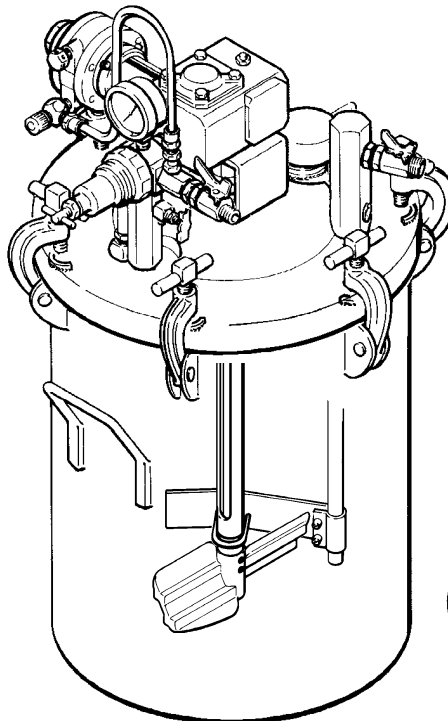
with **DUAL AIR REGULATOR**  
and **AGITATOR**

Model 222-230; 5 gallon  
Model 222-231; 10 gallon  
Model 222-232; 15 gallon



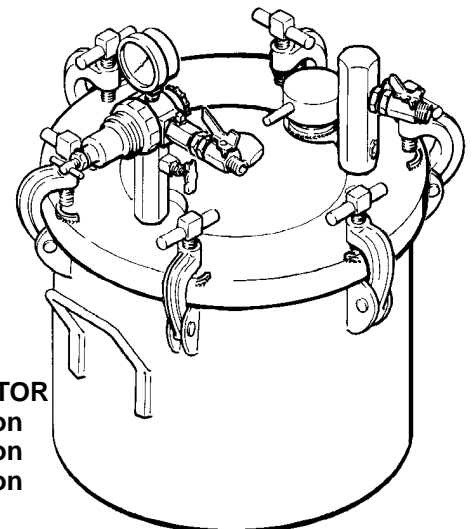
with **SINGLE AIR REGULATOR**  
and **AGITATOR**

Model 222-179; 5 gallon  
Model 222-180; 10 gallon  
Model 222-181; 15 gallon



with **SINGLE AIR REGULATOR**

Model 222-183; 5 gallon  
Model 222-184; 10 gallon  
Model 222-185; 15 gallon



**GRACO INC. P.O. BOX 1441 MINNEAPOLIS, MN 55440-1441**

©COPYRIGHT 1988 GRACO INC.

# WARNINGS

**For Professional Use Only. Observe All Warnings.**  
**Read and understand all instruction manuals before operating equipment.**

## EQUIPMENT MISUSE HAZARD

### General Safety

Any misuse of the equipment or accessories, such as overpressurizing, modifying parts, using incompatible chemicals and fluids, or using worn or damaged parts, can cause them to rupture and result in serious injury, including splashing in the eyes or on the skin, fire, explosion or property damage.

Never alter or modify any part of this equipment; doing so could cause it to malfunction and make it dangerous to operate.

Check all spray equipment regularly and repair or replace worn or damaged parts immediately.

Take precautions to avoid any fluid spills. See **HAZARDOUS FLUID HAZARD**, below.

### System Pressure

The *Maximum Working Pressure* of the pressure tanks is 100 psi (7 bar). Overpressurizing the tank or accessories could cause a part to rupture. To reduce the risk of serious injury, including splashing in the eyes or on the skin, and property damage, never exceed the maximum air and fluid working pressure of any component or accessory used in the system.

### Fluid Compatibility

Be sure all fluids and solvents used are chemically compatible with the "Wetted Parts" shown in the **Technical Data** on page 15. Always read the fluid and solvent manufacturer's literature before using the fluid or solvent in this pressure tank.

### Pressure Relief Procedure

This is a pressurized tank. Always follow this procedure before opening the tank cover or fill port. This reduces the risk of serious injury, including splashing in the eyes or on the skin, or injury from moving parts, which can result if the tank pressure is not fully relieved.

1. Shut off the air supply to the tank.
2. Close the air inlet valve (20 or 36). Refer to Fig. 1.
3. Open the drain cock fitting (7) by turning it counter-clockwise.
4. Wait until there is no air escaping through the valve before removing the cover or opening the fill port.
5. Leave the drain cock fitting (7) open until you have reinstalled the cover or fill port.

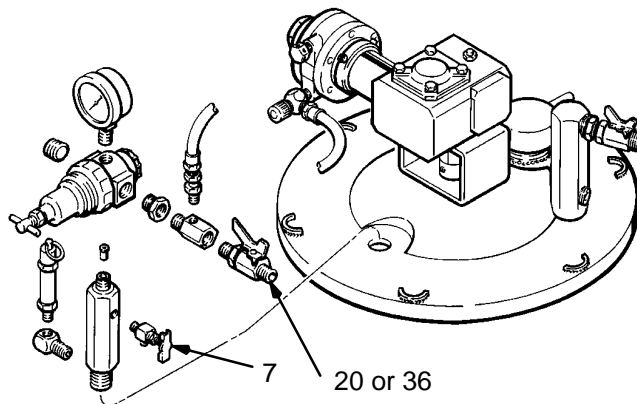


Fig. 1

## HAZARDOUS FLUID HAZARD

Improper handling of hazardous fluids or inhaling vapors can cause extremely serious injury, even death, due to splashing in the eyes, ingestion, inhalation, or bodily contamination. Know what fluid you are pumping and its specific hazards. Store hazardous fluids in approved containers. Dispose of any waste fluid according to all Local, State and Federal regulations pertaining to the disposal of hazardous wastes. Observe all precautions when handling known or potentially hazardous fluids, including, but not limited to, the following.

1. Always wear appropriate, protective clothing and equipment, such as eye protection, respiratory protection, and gloves.
2. Provide for the safe piping and disposal of all exhaust air.
3. Provide proper ventilation in accordance with accepted industry standards and governmental regulations.

---

## FIRE OR EXPLOSION HAZ-

---

### ARD

Static electricity is created by the flow of fluid through the pressure tank and hose. If every part of the equipment is not properly grounded, sparking may occur. Sparks can ignite vapors from solvents and the fluid being sprayed, dust particles and other flammable substances, whether you are spraying indoors or outdoors, and cause a fire or explosion, serious injury, and property damage. Sparks may also occur when plugging in or unplugging a power supply cord. Do not plug in or unplug any power supply cords in the spray area when there is any chance of igniting vapors still in the air.

If you experience any static sparking or even a slight shock while using this equipment, **stop spraying immediately**. Do not use the system again until the cause of the problem is identified and corrected.

Check your local code for detailed grounding instructions for your area and type of equipment. Be sure to ground the pressure tank by connecting one end of a 12 ga (1.5 mm<sup>2</sup>) minimum ground wire to the pressure tank and the other end of the wire to a true earth ground. See page 14 to order a ground wire and clamp.

---

## MOVING PARTS HAZARD

---

The rotating blades of the agitator can pinch or amputate your fingers or other body parts and can cause splashing in the eyes or on the skin. To reduce this

risk, always shut off the agitator and disconnect the air line before checking or repairing any part of the pressure tank or agitator.

---

## IMPORTANT

---

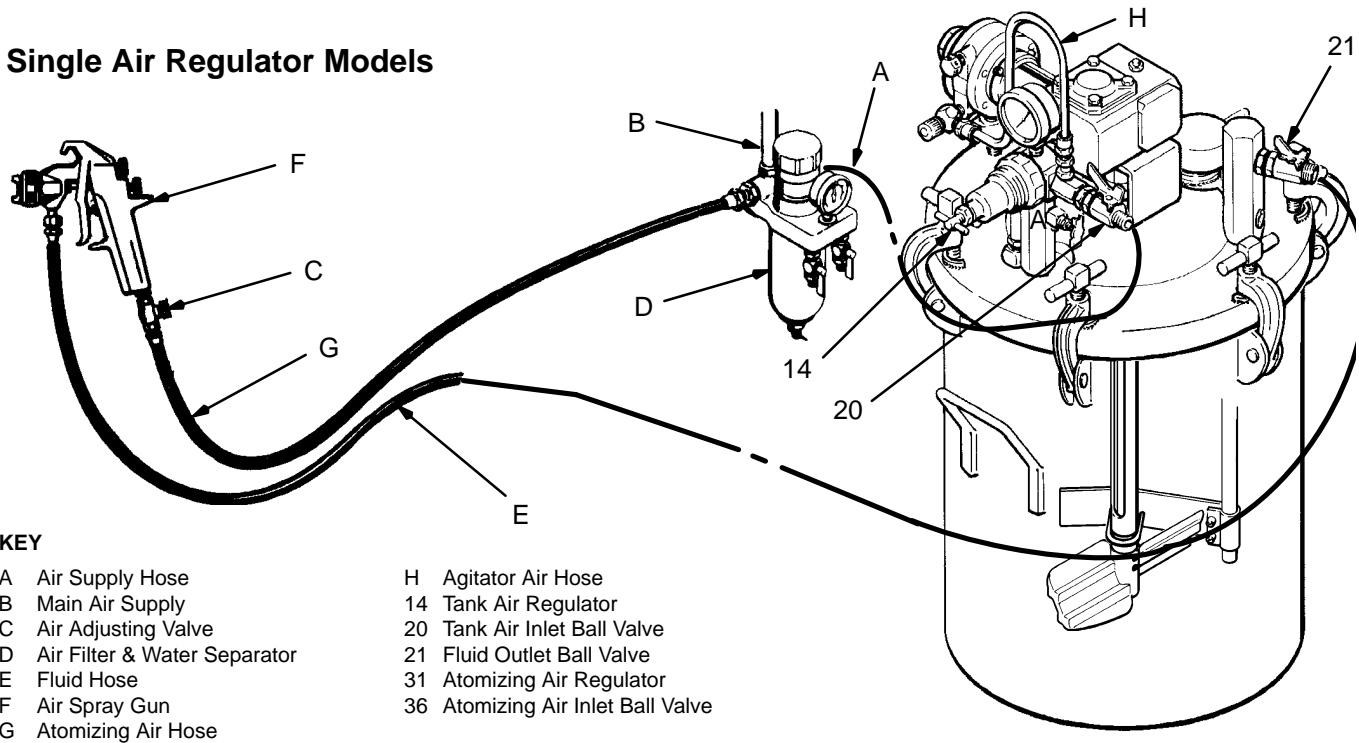
United States Government safety standards have been adopted under the Occupational Safety and Health Act. These standards – particularly the General Standards, Part 1910, and the Construction Standards, Part 1926 – should be consulted.

# Table of Contents

<b>Warnings</b> .....	2	<b>Parts</b>	
<b>Typical Systems</b> .....	4	Models 222–183, 222–184 and 222–185 .....	8
<b>Installation</b> .....	5	Models 222–179, 222–180 and 222–181 .....	10
<b>Operation</b> .....	6	Models 222–230, 222–231 and 222–232 .....	12
<b>Maintenance</b> .....	7	<b>Accessories</b> .....	14
		<b>Dimensions</b> .....	15
		<b>Technical Data</b> .....	15
		<b>Warranty</b> .....	Back Cover

# Typical Systems

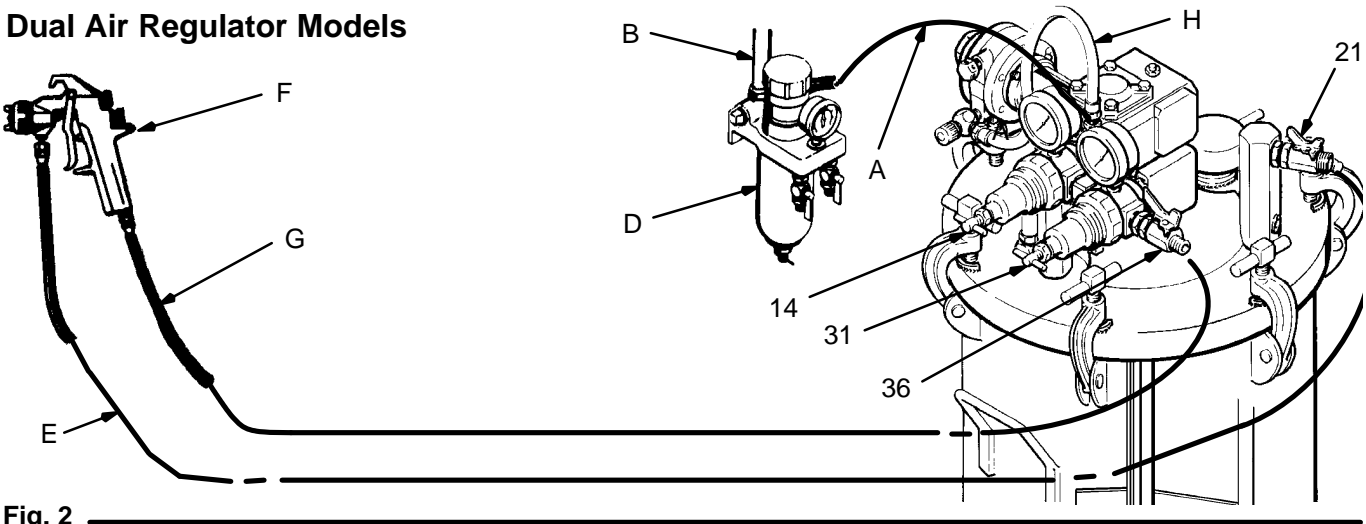
## Single Air Regulator Models



**KEY**

- |                                |                                   |
|--------------------------------|-----------------------------------|
| A Air Supply Hose              | H Agitator Air Hose               |
| B Main Air Supply              | 14 Tank Air Regulator             |
| C Air Adjusting Valve          | 20 Tank Air Inlet Ball Valve      |
| D Air Filter & Water Separator | 21 Fluid Outlet Ball Valve        |
| E Fluid Hose                   | 31 Atomizing Air Regulator        |
| F Air Spray Gun                | 36 Atomizing Air Inlet Ball Valve |
| G Atomizing Air Hose           |                                   |

## Dual Air Regulator Models

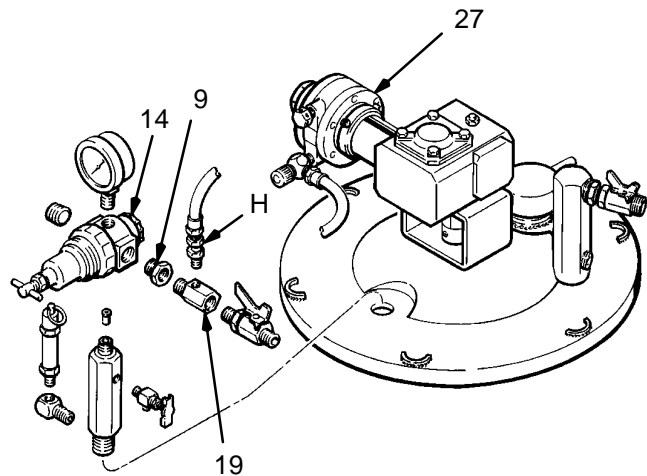


**Fig. 2**

Reference numbers and letters in parentheses in the text refer to references in the illustrations and the parts drawings.

See page 14 for accessories that are available from Graco. Be sure that all accessories are properly sized to withstand the pressures in the system.

**NOTE:** The dual regulated models are shipped as a fully assembled, single-regulator model with agitator, plus a partially assembled, air atomizing regulator, which must be installed on the tank.



**Fig. 3**

# Installation

## Recommended Hose Sizes (general purpose)

Material		Air	
For runs of:	Use:	For runs of:	Use:
0–35 ft (0–11 m)	3/8" ID	0–100 ft (0–30 m)	5/16" ID
35–100 ft (11–30 m)	1/2" ID	100–200 ft (30–61 m)	3/8" ID
100–200 ft (30–61 m)	3/4" ID		

## Installing Air Atomizing Regulator Kit

Disconnect the air hose (H) from the agitator air motor (27) and the air manifold (19). See Fig. 3. Remove the bushing (9), the air manifold and the ball valve from the original air regulator (14).

Connect the inlets of the two regulators (14, 31) with the regulator nipple (35). Screw the bushing (30) and the ball valve (36) into the atomizing air regulator (31) outlet. See Fig. 4.

Screw the nipple (32) into the regulator nipple (35). Screw the elbow (34) tightly onto the nipple (32), lifting the elbow at an angle to clear the agitator. See Fig. 4.

Turn the elbow back just enough to permit the manifold (19) and the ball valve (20) to be screwed into the elbow (34). See Fig 5. Connect the agitator hose between the agitator motor and the air manifold.

**NOTE:** Plug any unused regulator and manifold ports with steel plugs to prevent air from escaping.

## Installing An Accessory Agitator

To install an accessory air operated agitator, see manual 307-792. Connect the agitator hose (H) to the air inlet manifold (19) as shown in Fig. 4.

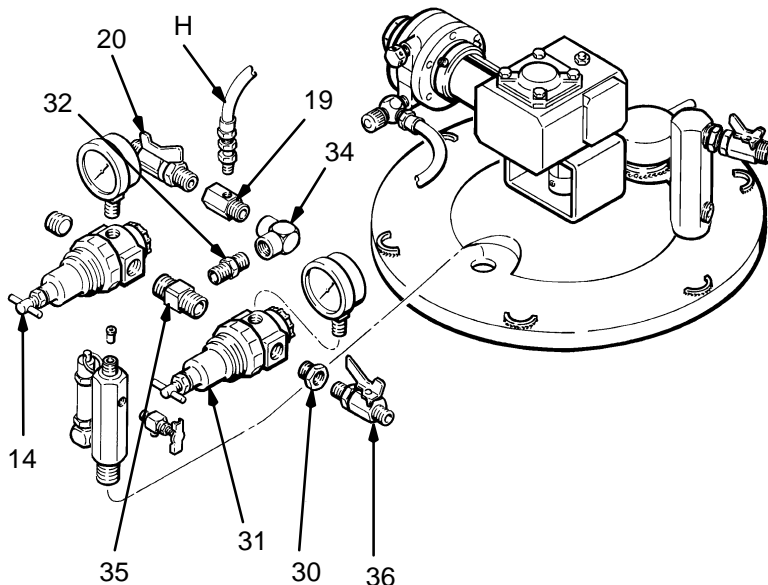


Fig. 4

## Connecting Hoses

Connect an air supply hose (A) between the 3/8 npt(m) air inlet valve (20) and your air supply (B). Refer to Fig. 2 on page 4. Install an air filter (D) upstream from the air inlet valve to remove dirt and moisture from your compressed air supply.

Connect a fluid hose (E) between the 3/8 npt(m) outlet valve (21) and the fluid inlet of your spray gun (F).

## Dual Air Regulated Models

Connect an air atomizing hose (G) between the 1/4 npt ball valve (36) of the atomizing air regulator (31) and the air inlet of your gun (F). See Fig. 2, Dual Air Regulator Models.

## Single Air Regulated Model

There are three ways to provide atomizing air in a Single Air Regulated Model:

1. Plumb the atomizing air to the gun off the main air supply line (B), upstream from the hose connections to the tank. See Fig. 2, Single Air Regulated Model.
2. Provide the atomizing air to the gun from another source.
3. Use the tank regulator to control both the tank and the atomizing air pressure. Remove a plug from the regulator (14) and connect an air valve and atomizing hose to the 1/2 npt(f) port on the regulator. Refer to the parts drawing, page 8.

**NOTE:** Use an air adjusting valve (C) to adjust the atomizing air at the gun. See Fig. 2, Single Air Regulated Model.

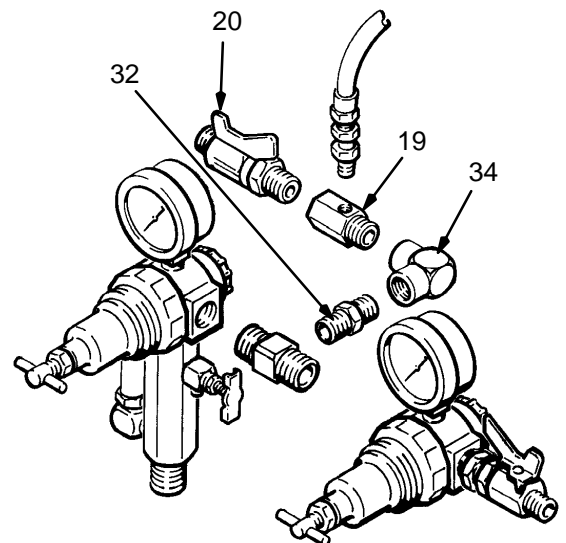


Fig. 5

# Installation

## Installing Two Spray Guns

Remove the plug (5) from the outlet manifold (18) and install an additional nipple (11) and ball valve (21) in the manifold. Refer to Fig. 6. With dual regulator models, also remove the 1/4 npt ball valve (36) and screw a 1/2 x 1/4 npt(mbe) nipple into the bushing (30) and then a 1/4 npt(f) tee. Install a 1/4 npt ball valve (36) on both outlets of the tee.

## Using Bottom Outlet Port

There is a 1 in. npt drain port (see Fig. 6) in the bottom of the tank that may be fitted with an elbow, nipple, fluid regulator, hose and spray gun for use when top outlet feed is not desirable or possible. Mount the tank on a dolly when using this port. See **Accessories**, page 14, for a dolly.

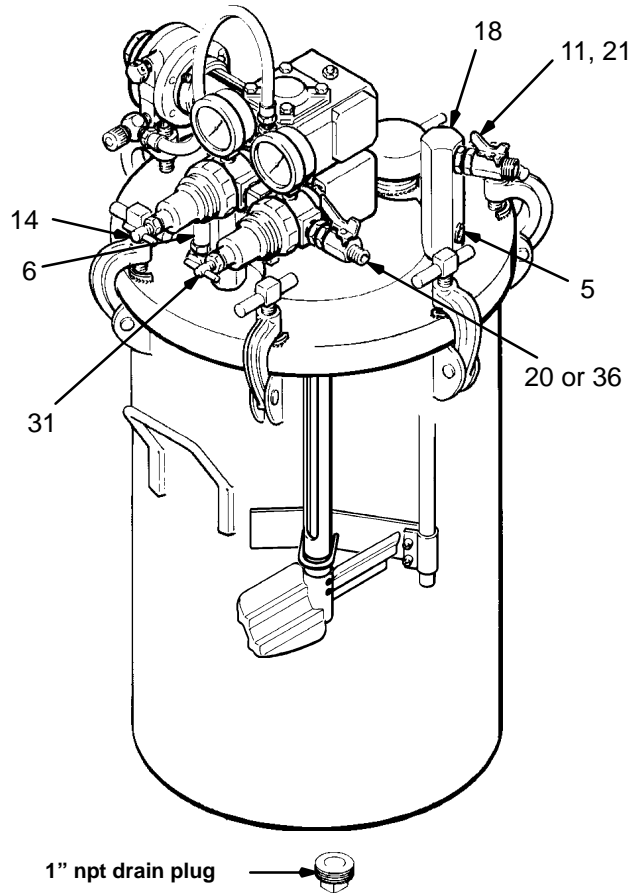


Fig. 6

# Operation

## WARNING

This is a pressurized tank. Always follow the **Pressure Relief Procedure** on page 2 before opening the tank cover or fill port. This reduces the risk of serious injury, including splashing in the eyes or on the skin, or injury from moving parts. These injuries can result if the tank pressure is not fully relieved.

## Preparing the Fluid

Prepare the fluid according to the manufacturer's instructions. Strain the fluid to remove large particles that could clog the spray gun or the siphon tube.

## Filling the Tank

1. Before filling the tank, follow the **Pressure Relief Procedure** on page 2.
2. Fill the tank through the fill port in the lid, or remove the lid and place a U.S. 5 gallon pail of fluid in the tank. Do not exceed the suggested capacity (5, 10 or 15 gallons) of your tank.
3. Replace the cover or the fill port cap (23) and tighten the c-clamp handles securely.

# Operation

## Operating the Pressure Tank

1. Close the air regulators (14 and 31 if used) by turning the knob(s) *counterclockwise* and turn on the air supply. See Fig. 6.
2. Start and adjust the agitator (if it is used) as explained in the separate instruction manual 307-792.
3. Open the tank air inlet valve (20 or 36) and the fluid outlet ball valve (21) and adjust the air regulator to the approximate pressure desired. See Fig. 6.
4. Turn on the atomizing air to the spray gun. Test spray a small area and adjust the pressure as necessary. Always use the lowest possible air pressure to obtain the desired results.

### WARNING

Over pressurizing the tank or accessories could cause a part to rupture. To reduce the risk of serious injury, including splashing in the eyes or on the skin, and property damage, never exceed the maximum air and fluid working pressure of the lowest rated component in your system.

### CAUTION

Do not operate the agitator at a high speed for a long period of time. Excessive agitator speed can cause foaming of fluid (making the fluid unusable), vibration, and increased wear on the parts. Always agitate the fluid only enough to maintain even mixing.

### CAUTION

Do not switch the positions of the tank air regulator (14) and the atomizing air regulator (31). See Fig. 6. The tank air regulator has a Mylar® diaphragm which resists corrosion by paint and solvents. If the tank air regulator is replaced, be sure it has a Mylar diaphragm.

## Safety Relief Valve

A safety relief valve (6) will automatically relieve the tank pressure when the air pressure exceeds 100 psi (7 bar). Refer to Fig. 6 or the parts drawings.

Each week, check the working order of the relief valve. *Only as a test*, raise the air pressure to 100 to 105 psi (6.9 to 7.2 bar). If the valve doesn't relieve the pressure, replace it immediately. Do not attempt to repair it. The valve will reset automatically when the pressure is relieved.

# Maintenance

## Cleaning the Tank

1. First follow the **Pressure Relief Procedure** on page 2.
2. *If the atomizing air is fed from the tank regulator*, elevate the hose and gun to drain the fluid through the hose and into the tank.  
  
*If the atomizing air is not fed from the tank regulator*, follow the procedure below to force the fluid back through the hose and into the tank:
  - a. Remove the fill port cap (23).
  - b. Loosen the spray gun air cap retaining ring about three turns.
  - c. Hold a rag over the air cap and trigger the gun for a few seconds, until the fluid is forced back into the tank.
3. Empty the fluid from the tank and pour a suitable amount of solvent into it.

### CAUTION

Be sure that the solvent you use is compatible with the fluid being sprayed. Read **Fluid Compatibility** on page 2.

4. Replace the fill port cap.
5. Remove the spray gun air cap.
6. Turn on the air supply.
7. Hold a metal part of the gun against a grounded metal waste container and trigger the gun into the waste container until clean solvent comes from the gun.
8. Remove the solvent from the system and wipe the inside of the tank and the rest of the equipment clean with a solvent-dampened rag.

**NOTE:** See separate instruction manual 307-792 for information on agitator maintenance.

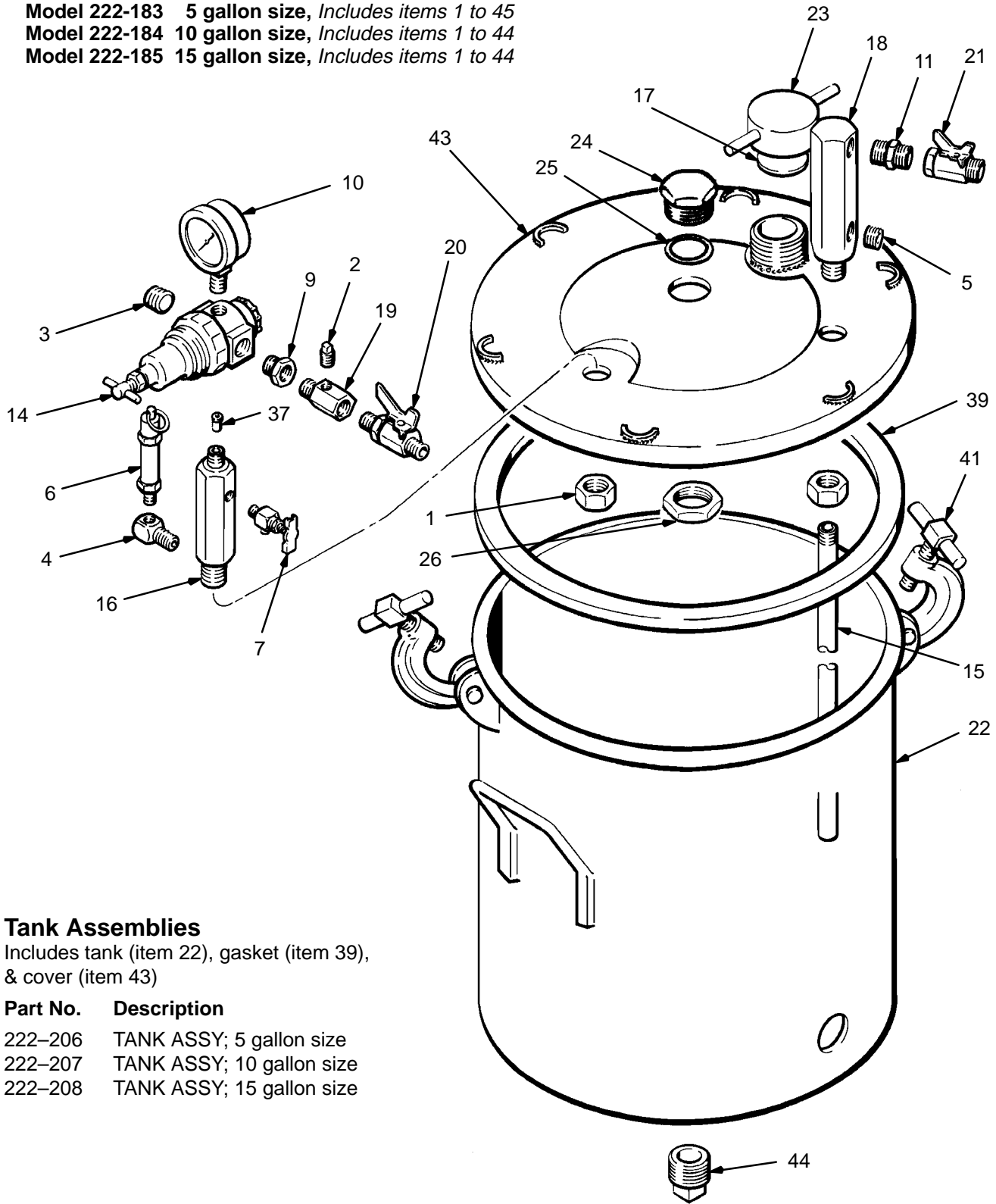
# Parts

## SINGLE REGULATOR MODELS

Model 222-183 5 gallon size, Includes items 1 to 45

Model 222-184 10 gallon size, Includes items 1 to 44

Model 222-185 15 gallon size, Includes items 1 to 44



### Tank Assemblies

Includes tank (item 22), gasket (item 39), & cover (item 43)

#### Part No. Description

222-206	TANK ASSY; 5 gallon size
222-207	TANK ASSY; 10 gallon size
222-208	TANK ASSY; 15 gallon size



# Parts

Ref. No.	Part No.	Description	Qty.	Ref. No.	Part No.	Description	Qty.
1	111-014	NUT, hex jam; 7/8-14	2	22*	222-020	TANK; 5 gallon size; SST Includes items 41 & 44	1
2	100-139	PLUG, pipe; 1/8 npt	2		222-021	TANK; 10 gallon size; SST Includes items 41 & 44	1
3	100-361	PLUG, pipe; hdls; 1/2 npt	1		222-022	TANK; 15 gallon size; SST Includes items 41 & 44	1
4	100-840	ELBOW, street; 1/4 npt(m x f)	1	23	210-575	CAP, filter	1
5	101-748	PLUG, pipe; hdls; 3/8 npt	1	24	169-940	PLUG; 1-1/2 npt	1
6	103-347	VALVE, air relief; 100 psi (14 bar)	1	25✓	103-414	O-RING; Viton®	1
7	101-759	FITTING, drain cock	1	26	186-521	NUT, hex jam; SST; 1-1/2-12	1
9	100-081	BUSHING, pipe; 1/2 npt(m) x 3/8 npt(f)	1	37	174-026	RESTRICTOR	1
10✓	160-430	GAUGE, air pressure; 0-100 psi (0-14 bar) range	1	39✓	171-966	GASKET; Thiokol®	1
11	166-469	NIPPLE, hex; stainless steel; 3/8 npt(m)	1	41✓†	110-143	T-HANDLE	6
13	175-078	LABEL, Warning ( <i>not shown</i> )	1	43	223-554	COVER, tank; SST	1
14✓	171-937	REGULATOR, tank air; Mylar® diaphragm; 0-125 psi (0-8 bar) range, See 307-204 for parts	1	44	110-133	PLUG, bottom	1
15	171-974	TUBE; 15 gallon size; SST	1	45‡	111-329	LINER, polyurethane; for 5 gallon size only ( <i>not shown</i> )	1
	171-975	TUBE; 10 gallon size; SST	1				
	171-976	TUBE; 5 gallon size; SST	1				
16	171-981	ADAPTER, regulator	1				
17✓	171-988	GASKET; chlororene rubber and cork	1				
18	171-991	ADAPTER, outlet; stainless steel	1				
19	171-992	MANIFOLD, air; (2) 3/8 npt; (2) 1/8 npt	1				
20✓	208-393	VALVE, ball; 3/8 npt(m) See 307-068 for parts	1				
21✓	210-071	VALVE, ball; stainless steel; 3/8 npt(m x f), See 307-068 for parts	1				

\* See page 8 for tank assembly numbers.

✓ Keep these spare parts on hand to reduce down time.

† A C-clamp replacement Kit is available. It includes the T-clamp, C-clamp, pin, and cotter pin. Order part no. 111-381.

‡ To purchase a box of 20 polyurethane liners (5 gal. size), order part no. 111-330.

**NOTE:** The 307 numbers in the descriptions refer to separate instruction manuals.

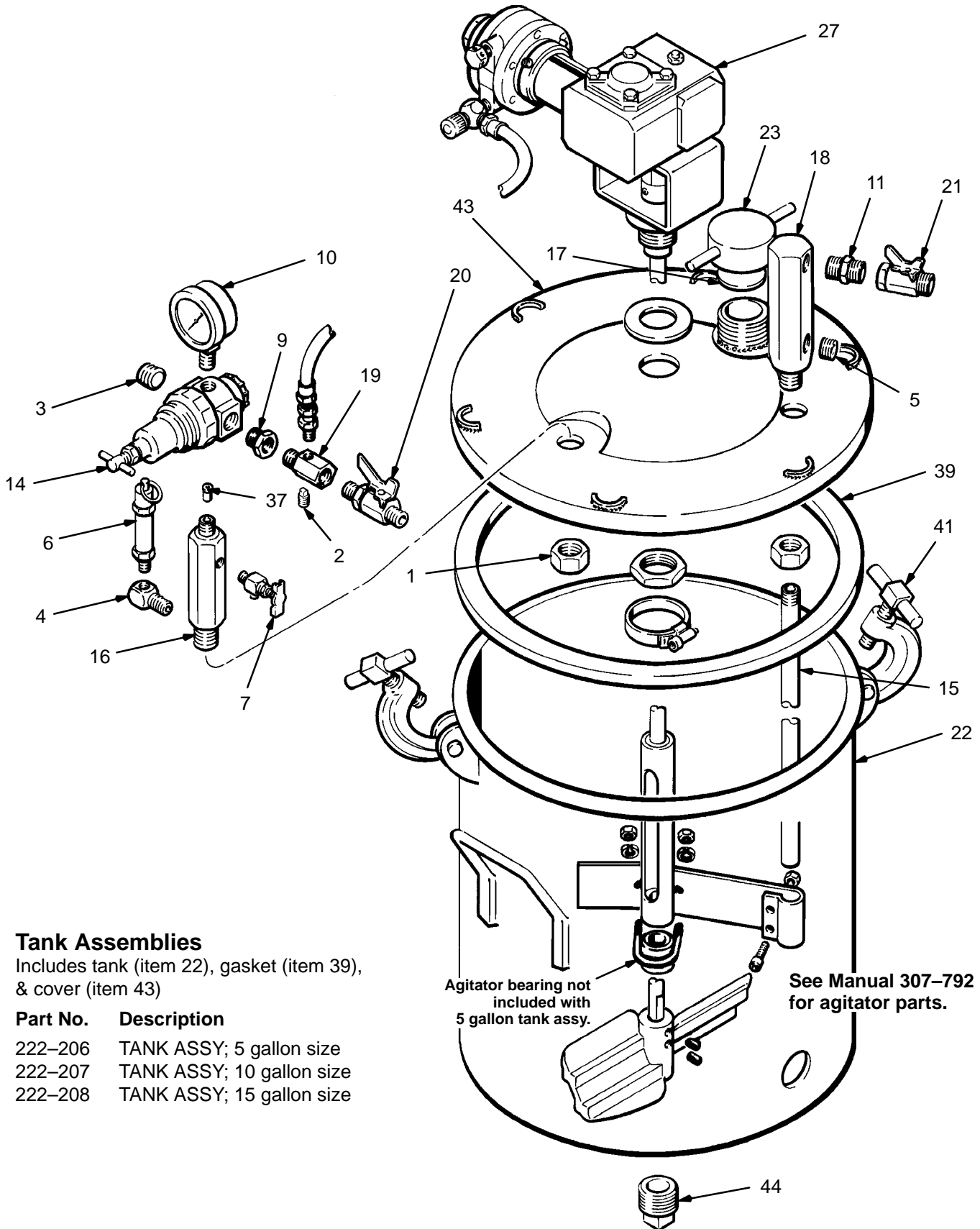
# Parts

## SINGLE REGULATOR MODELS w/AGITATOR

Model 222-179 5 gallon size, Includes items 1 to 45

Model 222-180 10 gallon size, Includes items 1 to 44

Model 222-181 15 gallon size, Includes items 1 to 44



### Tank Assemblies

Includes tank (item 22), gasket (item 39), & cover (item 43)

#### Part No. Description

222-206	TANK ASSY; 5 gallon size
222-207	TANK ASSY; 10 gallon size
222-208	TANK ASSY; 15 gallon size

Agitator bearing not included with 5 gallon tank assy.

See Manual 307-792 for agitator parts.

# Parts

Ref. No.	Part No.	Description	Qty.	Ref. No.	Part No.	Description	Qty.	
1	111-014	NUT, hex jam; 7/8-14	2		222-020	TANK; 5 gallon size; SST Includes items 41 & 44	1	
2	100-139	PLUG, pipe; 1/8 npt	1		222-021	TANK; 10 gallon size; SST Includes items 41 & 44	1	
3	100-361	PLUG, pipe; hdls; 1/2 npt	1	22*	222-022	TANK; 15 gallon size; SST Includes items 41 & 44	1	
4	100-840	ELBOW, street; 1/4 npt(m x f)	1		210-575	CAP, filter	1	
5	101-748	PLUG, pipe; hdls; 3/8 npt	1	23	220-356	AGITATOR; 5 gallon size See 307-792 for parts	1	
6	103-347	VALVE, air relief; 100 psi (14 bar)	1		220-357	AGITATOR; 10 gallon size See 307-792 for parts	1	
7	101-759	FITTING, drain cock	1	27	220-358	AGITATOR; 15 gallon size See 307-792 for parts	1	
9	100-081	BUSHING, pipe; 1/2 npt(m) x 3/8 npt(f)	1		37	174-026	RESTRICTOR	1
10✓	160-430	GAUGE, air pressure; 0-100 psi (0-14 bar) range	1	39✓	171-966	GASKET; Thiokol®	1	
11	166-469	NIPPLE, hex; stainless steel; 3/8 npt(m)	1	41✓†	110-143	T-HANDLE	6	
13	175-078	LABEL, Warning ( <i>not shown</i> )	1	43	223-554	COVER, tank; SST	1	
14✓	171-937	REGULATOR, tank air; Mylar® diaphragm; 0-125 psi (0-8 bar) range, See 307-204 for parts	1	44	110-133	PLUG, bottom	1	
		171-974	TUBE; 15 gallon size; SST	1	45‡	111-329	LINER, polyurethane; for 5 gallon size only ( <i>not shown</i> )	1
15		171-975	TUBE; 10 gallon size; SST	1				
		171-976	TUBE; 5 gallon size; SST	1				
16	171-981	ADAPTER, regulator	1					
17✓	171-988	GASKET; chlororene rubber and cork	1					
18	171-991	ADAPTER, outlet; stainless steel	1					
19	171-992	MANIFOLD, air; (2) 3/8 npt; (2) 1/8 npt	1					
20✓	208-393	VALVE, ball; 3/8 npt(m) See 307-068 for parts	1					
21✓	210-071	VALVE, ball; stainless steel; 3/8 npt(m x f), See 307-068 for parts	1					

\* See page 10 for tank assembly numbers.

✓ Keep these spare parts on hand to reduce down time.

† A C-clamp replacement Kit is available. It includes the T-clamp, C-clamp, pin, and cotter pin. Order part no. 111-381.

‡ To purchase a box of 20 polyurethane liners (5 gal. size), order part no. 111-330.

**NOTE:** The 307 numbers in the descriptions refer to separate instruction manuals.

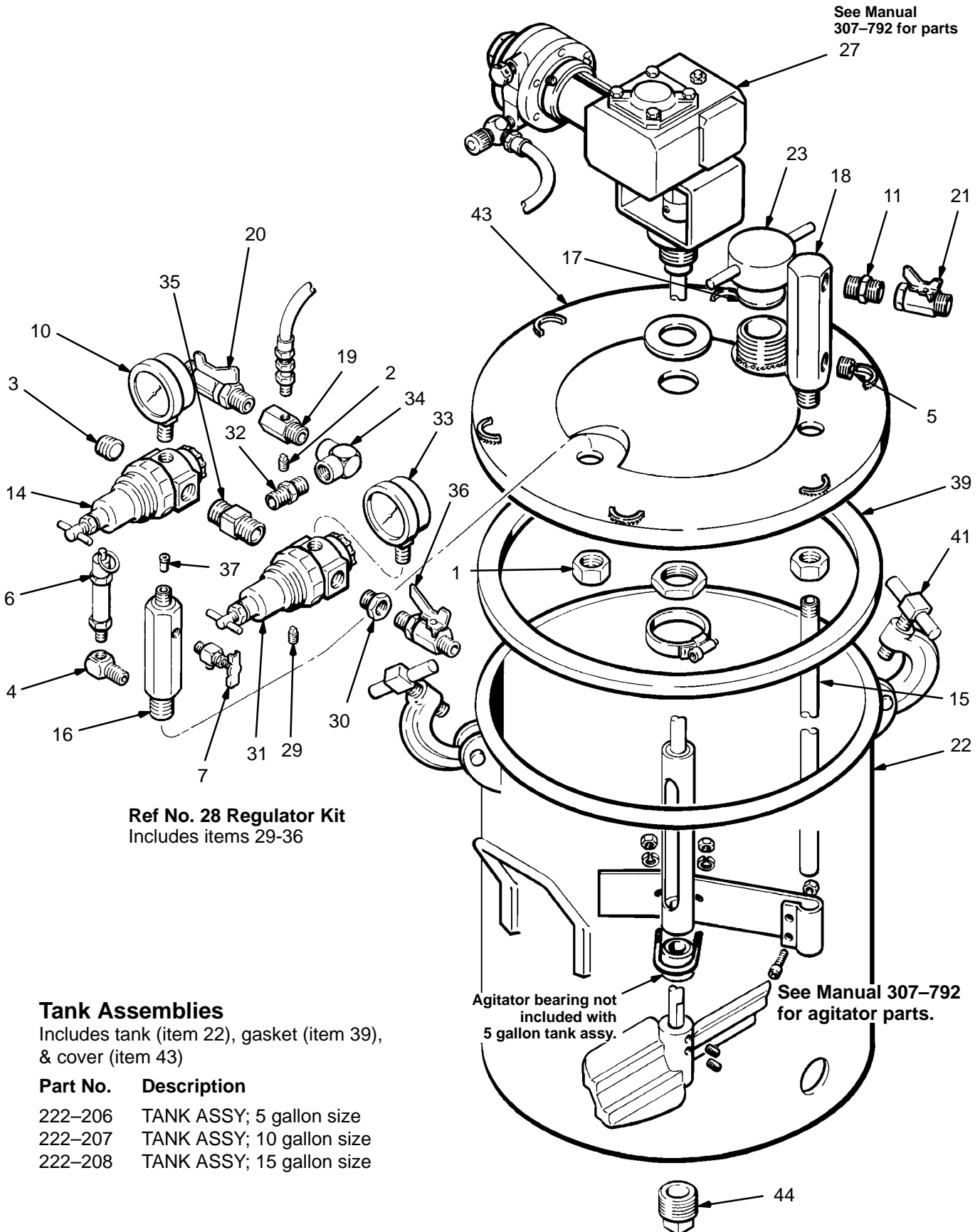
# Parts

## DOUBLE REGULATOR MODELS w/AGITATOR

Model 222-230 5 gallon size, Includes items 1 to 45

Model 222-231 10 gallon size, Includes items 1 to 44

Model 222-232 15 gallon size, Includes items 1 to 44



### Tank Assemblies

Includes tank (item 22), gasket (item 39), & cover (item 43)

Part No.	Description
222-206	TANK ASSY; 5 gallon size
222-207	TANK ASSY; 10 gallon size
222-208	TANK ASSY; 15 gallon size

# Parts

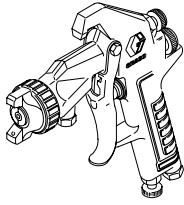
Ref. No.	Part No.	Description	Qty.	Ref. No.	Part No.	Description	Qty.
1	111-014	NUT, hex jam; 7/8-14	2	27	220-356	AGITATOR; 5 gallon size See 307-792 for parts	1
2	100-139	PLUG, pipe; 1/8 npt	1		220-357	AGITATOR; 10 gallon size See 307-792 for parts	1
3	100-361	PLUG, pipe; hdls; 1/2 npt	1		220-358	AGITATOR; 15 gallon size See 307-792 for parts	1
4	100-840	ELBOW, street; 1/4 npt(m x f)	1	28	210-613	REGULATOR KIT Includes items 29-36	1
5	101-748	PLUG, pipe; hdls; 3/8 npt	1	29	100-509	.PLUG, sq hd pipe; 1/4 npt(f)	1
6	103-347	VALVE, air relief; 100 psi (14 bar)	1	30	100-206	.BUSHING, pipe; 1/2 npt(m)x 1/4 npt(f)	1
7	101-759	FITTING, drain cock	1	31	104-267	.REGULATOR, atomizing air; See 307-204 for parts	1
10✓	160-430	GAUGE, air pressure; 0-100 psi (0-14 bar) range	1	32	156-849	.NIPPLE, pipe; 3/8 npt	1
11	166-469	NIPPLE, hex; stainless steel; 3/8 npt(m)	1	33	160-430	.GAUGE, air pressure; 0-100 psi (0-14 bar) range	1
13	175-078	LABEL, Warning ( <i>not shown</i> )	1	34	165-472	.ELBOW, 90° pipe; 3/8 npt(f)	1
14✓	171-937	REGULATOR, tank air; Mylar® diaphragm; 0-125 psi (0-8 bar) range, See 307-204 for parts	1	35	172-124	.NIPPLE, regulator	1
15	171-974	TUBE; 15 gallon size; SST	1	36	*208-390	.BALL VALVE See 307-068 for parts	1
	171-975	TUBE; 10 gallon size; SST	1	37	174-026	RESTRICTOR	1
	171-976	TUBE; 5 gallon size; SST	1	39✓	171-966	GASKET; Thiokol®	1
16	171-981	ADAPTER, regulator	1	41✓†	110-143	T-HANDLE	6
17✓	171-988	GASKET; chlororene rubber and cork	1	43	223-554	COVER, tank; SST	1
18	171-991	ADAPTER, outlet; stainless steel	1	44	110-133	PLUG, bottom	1
19	171-992	MANIFOLD, air; (2) 3/8 npt; (2) 1/8 npt	1	45‡	111-329	LINER, polyurethane; for 5 gallon size only ( <i>not shown</i> )	1
20✓	208-393	VALVE, ball; 3/8 npt(m) See 307-068 for parts	1	* See page 12 for tank assembly numbers.			
21✓	210-071	VALVE, ball; stainless steel; 3/8 npt(m x f), See 307-068 for parts	1				
22*	222-020	TANK; 5 gallon size; SST Includes items 41 & 44	1	✓ Keep these spare parts on hand to reduce down time.			
	222-021	TANK; 10 gallon size; SST Includes items 41 & 44	1				
	222-022	TANK; 15 gallon size; SST Includes items 41 & 44	1				
23	210-575	CAP, filter	1	† A C-clamp replacement Kit is available. It includes the T-clamp, C-clamp, pin, and cotter pin. Order part no. 111-381.			
				‡ To purchase a box of 20 polyurethane liners (5 gal. size), order part no. 111-330.			

**NOTE:** The 307 numbers in the descriptions refer to separate instruction manuals.

# Accessories

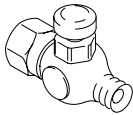
## Models 600N, 700N, & 800 Air Spray Gun

100 psi (7 bar) Maximum Working Pressure  
See Manuals 307-451, 307-452, and 307-453 for available guns and applications.



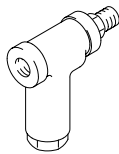
## Air Adjusting Valve 205-090

100 psi (7 bar) Maximum Working Pressure  
For controlling atomizing air to the gun. Install at the spray gun.



## Strainer 202-271

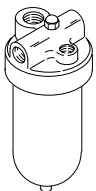
300 psi (21 bar) Maximum Working Pressure  
Install at the tank air inlet to remove dirt and moisture from the air supply, or at the tank fluid outlet to remove particles from the paint which could clog the spray gun nozzle.



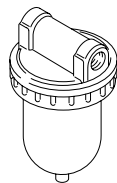
## Air Filter & Water Separator

200 psi (14 bar) Maximum Working Pressure  
Removes harmful dirt and moisture from the compressed air supply.

217-074



106-149



## Reusable Hose Coupling 104-416

1/2 npt(m) rigid coupling for bulk hose No. 061-200

## Buna-n Air Supply Hose

200 psi (14 bar) Maximum Working Pressure  
5/16" ID; cpld 1/4 npsm(f) swivel

210-866 15 ft (4.6 m) long

210-867 25 ft (7.6 m) long

## Nylon Fluid Supply Hose

300 psi (21 bar) Maximum Working Pressure  
3/8" ID; cpld 3/8 npsm(fbe) swivel; neoprene cover

205-160 15 ft (4.6 m) long

205-142 25 ft (7.6 m) long

205-143 50 ft (15.2 m) long

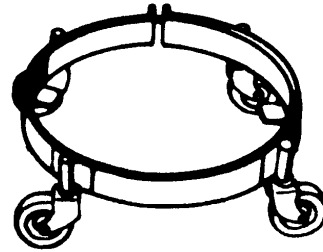
## Bulk Fluid Hose 061-200

500 psi (35 bar) Maximum Working Pressure  
1/2" ID, Nylon tube, neoprene cover

See your local Graco Distributor for larger diameter hose.

## Band-Type Dolly 204-144

For increased portability on level surfaces. Fits 5, 10 and 15 gallon tanks.



## Leg Kit 223-377

For 5 gallon tanks only.

## C-clamp Replacement Kit 111-381

To replace the pressure tank C-clamp assembly. The kit includes the T-clamp, C-clamp, pin, and cotter pin.

## Air Operated Agitators

With gear reducer

220-356 5 gallon tank size

220-357 10 gallon tank size

220-358 15 gallon tank size

## Stainless Steel Tank Liners & Cover

Liners fit inside the tank. For ease of clean-up and maintenance.

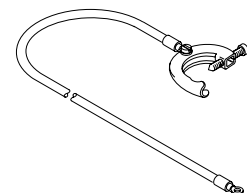
210-602 5 gallon tank size

210-603 10 gallon tank size

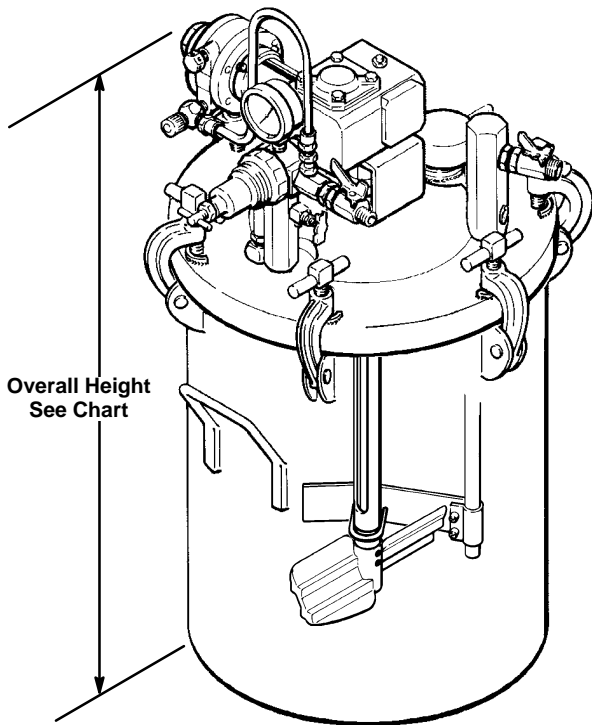
210-604 15 gallon tank size

## Grounding Clamp and Wire 222-011

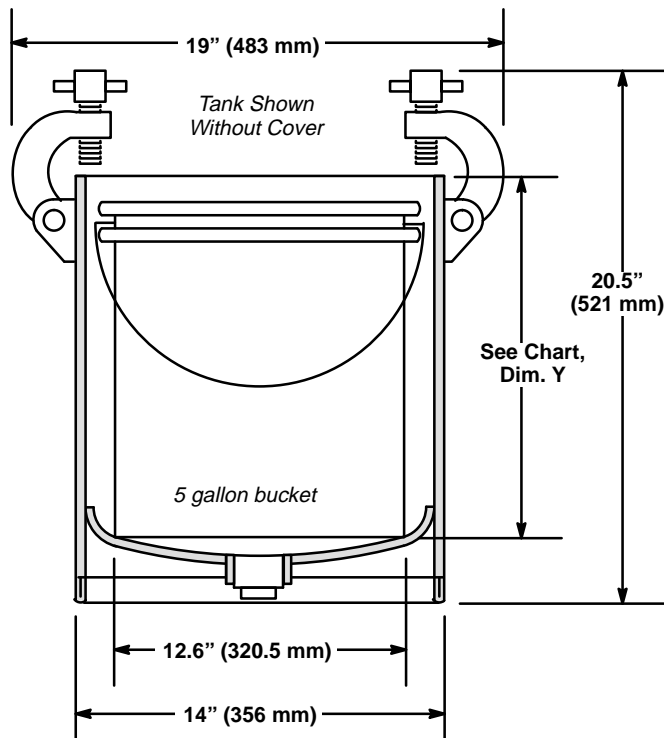
12 ga, 25 ft (7.6 m) wire



# Dimensions



Size	Model	Overall Height	Net Weight	Paint Bucket Dim. Y
5 Gallon	222-183	26.38" (670 mm)	75 lb (34 kg)	13.19" (335 mm)
	222-179	26.81" (681 mm)	91 lb (41 kg)	
	222-230	26.81" (681 mm)	93 lb (42 kg)	
10 Gallon	222-184	29.43" (746 mm)	86 lb (39 kg)	18.19" (462 mm)
	222-180	30.18" (767 mm)	102 lb (46 kg)	
	222-231	30.18" (767 mm)	104 lb (47 kg)	
15 Gallon	222-185	42.12" (1070 mm)	100 lb (45 kg)	28.94" (735 mm)
	222-181	42.88" (1089 mm)	118 lb (54 kg)	
	222-232	42.88" (1089 mm)	120 lb (55 kg)	



# Technical Data

## Actual Tank Capacities

- 5 gallon size: 8.8 U.S. gal (33 liter)
- 10 gallon size: 12.6 U.S. gal (48 liter)
- 15 gal size: 19.3 U.S. gal (72 liter)

Maximum Working Pressure: 100 psi (7 bar)

Relief Valve Setting: 100 psi (7 bar)

## Agitator Air Consumption (continuous duty):

- 6 cfm (0.17 m<sup>3</sup>/min) at 50 rpm and 30 psi (2 bar) air supply pressure

Air Inlet Size: 3/8 npt(m)

Fluid Outlet Size: 3/8 npt(m)

## Air Outlet (dual air regulator models only):

- 1/4 npt(m)

## Weight:

- 5 gallon size: 86.5 lbs (39.2 Kg)
- 10 gallon size: 93 lbs (42.2 Kg)
- 15 gal size: 100 lbs (45.4 Kg)

## Wetted Parts

*Models Without Agitator:* 303, 304, 410 & 416 Stainless Steel, Thiokol®, Zytel®, Mylar®, Viton®

*Models With Agitator:* 303, 304 & 416 Stainless Steel, Thiokol®, Zytel®, Mylar®, PTFE®, Viton®, Bronze

Zytel®, Mylar®, PTFE®, and Viton® are registered trademarks

Thiokol® is a registered trademark of the Thiokol Chemical Corporation.

# The Graco Warranty and Disclaimers

## WARRANTY

Graco warrants all equipment manufactured by it and bearing its name to be free from defects in material and workmanship on the date of sale by an authorized Graco distributor to the original purchaser for use. As purchaser's sole remedy for breach of this warranty, Graco will, for a period of twelve months from the date of sale, repair or replace any part of the equipment proven defective. This warranty applies only when the equipment is installed, operated and maintained in accordance with Graco's written recommendations.

This warranty does not cover, and Graco shall not be liable for, any malfunction, damage or wear caused by faulty installation, misapplication, abrasion, corrosion, inadequate or improper maintenance, negligence, accident, tampering, or substitution of non-Graco component parts. Nor shall Graco be liable for malfunction, damage or wear caused by the incompatibility with Graco equipment of structures, accessories, equipment or materials not supplied by Graco, or the improper design, manufacture, installation, operation or maintenance of structures, accessories, equipment or materials not supplied by Graco.

This warranty is conditioned upon the prepaid return of the equipment claimed to be defective to an authorized Graco distributor for verification of the claim. If the claimed defect is verified, Graco will repair or replace free of charge any defective parts. The equipment will be returned to the original purchaser transportation prepaid. If inspection of the equipment does not disclose any defect in material or workmanship, repairs will be made at a reasonable charge, which charges may include the costs of parts, labor and transportation.

## DISCLAIMERS AND LIMITATIONS

The terms of this warranty constitute purchaser's sole and exclusive remedy and are in lieu of any other warranties (express or implied), **including warranty of merchantability or warranty of fitness for a particular purpose**, and of any non-contractual liabilities, including product liabilities, based on negligence or strict liability. Every form of liability for direct, special or consequential damages or loss is expressly excluded and denied. In no case shall Graco's liability exceed the amount of the purchase price. Any action for breach of warranty must be brought within two (2) years of the date of sale.

## EQUIPMENT NOT COVERED BY GRACO WARRANTY

Graco makes no warranty, and disclaims all implied **warranties of merchantability and fitness for a particular purpose**, with respect to accessories, equipment, materials, or components sold but not manufactured by Graco. These items sold, but not manufactured by Graco (such as electric motor, switches, hose, etc.) are subject to the warranty, if any, of their manufacturer. Graco will provide purchaser with reasonable assistance in making any claim for breach of these warranties.

## Manual Change Summary

The manual was changed from Rev. F to Rev. H to add a polyurethane liner, part number 111-329, to the 5 gallon pressure tanks and note that a box of 20 liners, part number 111-330, is available. It also includes the Rev. G change to add a C-clamp Replacement Kit, part number 111-381 to the Accessories section.

## Graco Phone Numbers

**TO PLACE AN ORDER**, contact your Graco distributor, or call this number to identify the distributor closest to you: **1-800-328-0211 Toll Free**

**FOR TECHNICAL ASSISTANCE**, service repair information or assistance regarding the application of Graco equipment: **1-800-543-0339 Toll Free**

**Sales Offices:** Atlanta, Chicago, Dallas, Detroit, Los Angeles, Mt. Arlington (N.J.)  
**Foreign Offices:** Canada; England; Korea; Switzerland; France; Germany; Hong Kong; Japan

**GRACO INC. P.O. BOX 1441 MINNEAPOLIS, MN 55440-1441**

PRINTED IN U.S.A. 307-900 7/88 Revised 10/93