

Instructions – Parts List



STAINLESS STEEL

Check-Mate™ 1000 Pumps

308356E

With Priming Piston, and Severe-Duty Rod and Cylinder

**Part No. 237708 Pump, Series B,
50:1 Ratio, with King™ Air Motor**

34.5 MPa, 345 bar (5000 psi) Maximum Fluid Working Pressure

0.7 MPa, 7 bar (100 psi) Maximum Air Input Pressure

**Part No. 237520 Pump, Series A,
80:1 Ratio, with Premier™ Air Motor**

40.3 MPa, 403 bar (5850 psi) Maximum Fluid Working Pressure

0.5 MPa, 5 bar (73 psi) Maximum Air Input Pressure

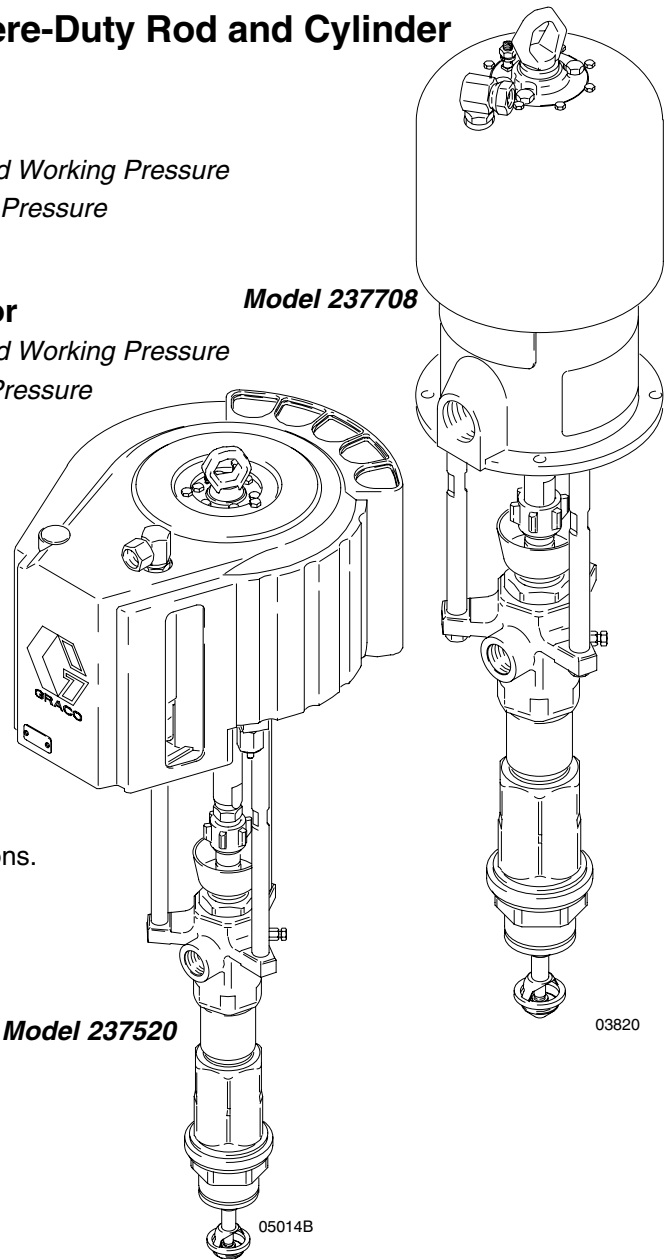
US Patent Nos. 5,147,188 and 5,154,532.
Other Patents Pending.



Important Safety Instructions

Read all warnings and instructions
in this manual. Save these instructions.

See page 2 for **Table of Contents**.



PROVEN QUALITY. LEADING TECHNOLOGY.



Table of Contents

Symbols	2
Warnings	3
Installation	6
Operation/Maintenance	9
Service	
Troubleshooting	12
Required Tools	14
Disconnecting the Displacement Pump	14
Reconnecting the Displacement Pump	14
Displacement Pump Service	16
Parts	24
Technical Data and Performance Chart	28
Dimensions	31
Mounting Hole Layout	31
Graco Standard Warranty	32
Graco Information	32

Symbols

Warning Symbol



This symbol alerts you to the possibility of serious injury or death if you do not follow the instructions.

Caution Symbol



This symbol alerts you to the possibility of damage to or destruction of equipment if you do not follow the instructions.

WARNING



INSTRUCTIONS

EQUIPMENT MISUSE HAZARD

Equipment misuse can cause the equipment to rupture or malfunction and result in serious injury.

- This equipment is for professional use only.
- Read all instruction manuals, tags, and labels before operating the equipment.
- Use the equipment only for its intended purpose. If you are not sure, contact your Graco distributor.
- Do not alter or modify this equipment.
- Check equipment daily. Repair or replace worn or damaged parts immediately.
- Do not exceed the maximum working pressure stated on the equipment or in the **Technical Data** for your equipment. Do not exceed the maximum working pressure of the lowest rated component in your system.
- Use fluids and solvents which are compatible with the equipment wetted parts. Refer to the **Technical Data** section of all equipment manuals. Read the fluid and solvent manufacturer's warnings.
- Do not kink or overbend hoses or use hoses to pull equipment.
- Route hoses away from traffic areas, sharp edges, moving parts, and hot surfaces. Do not expose Graco hoses to temperatures above 82°C (180°F) or below -40°C (-40°F).
- Wear hearing protection when operating this equipment.
- Do not lift pressurized equipment.
- Comply with all applicable local, state, and national fire, electrical, and safety regulations.

WARNING



INJECTION HAZARD

Spray from the spray gun/dispense valve, leaks or ruptured components can inject fluid into your body and cause extremely serious injury, including the need for amputation. Fluid splashed in the eyes or on the skin can also cause serious injury.

- Fluid injected into the skin might look like just a cut, but it is a serious injury. **Get immediate surgical treatment.**
- Do not point the gun/valve at anyone or at any part of the body.
- Do not put your hand or fingers over the spray tip/nozzle.
- Do not stop or deflect leaks with your hand, body, glove or rag.
- Do not “blow back” fluid; this is not an air spray system.
- Always have the tip guard and the trigger guard on the gun when spraying.
- Check the gun diffuser operation weekly. Refer to the gun manual.
- Be sure the gun/valve trigger safety operates before spraying.
- Lock the gun/valve trigger safety when you stop spraying.
- Follow the **Pressure Relief Procedure** on page 9 if the spray tip/nozzle clogs and before cleaning, checking or servicing the equipment.
- Tighten all fluid connections before operating the equipment.
- Check the hoses, tubes, and couplings daily. Replace worn or damaged parts immediately. Do not repair high pressure couplings; you must replace the entire hose.
- Fluid hoses must have spring guards on both ends, to help protect them from rupture caused by kinks or bends near the couplings.



MOVING PARTS HAZARD

Moving parts, such as the priming piston, can pinch or amputate your fingers.

- Keep clear of all moving parts when starting or operating the pump.
- Keep hands and fingers away from the priming piston during operation and whenever the pump is charged with air.
- Before servicing the equipment, follow the **Pressure Relief Procedure** on page 9 to prevent the equipment from starting unexpectedly.

WARNING



FIRE AND EXPLOSION HAZARD

Improper grounding, poor ventilation, open flames or sparks can cause a hazardous condition and result in a fire or explosion and serious injury.

- Ground the equipment and the object being sprayed. Refer to **Grounding** on page 6.
- If there is any static sparking or you feel an electric shock while using this equipment, **stop spraying/dispensing immediately**. Do not use the equipment until you identify and correct the problem.
- Provide fresh air ventilation to avoid the buildup of flammable fumes from solvents or the fluid being sprayed/dispensed.
- Keep the spray/dispense area free of debris, including solvent, rags, and gasoline.
- Electrically disconnect all equipment in the spray/dispense area.
- Extinguish all open flames or pilot lights in the spray/dispense area.
- Do not smoke in the spray/dispense area.
- Do not turn on or off any light switch in the spray/dispense area while operating or if fumes are present.
- Do not operate a gasoline engine in the spray/dispense area.
- Keep a fire extinguisher in the work area.



TOXIC FLUID HAZARD

Hazardous fluid or toxic fumes can cause serious injury or death if splashed in the eyes or on the skin, inhaled, or swallowed.

- Know the specific hazards of the fluid you are using.
- Store hazardous fluid in an approved container. Dispose of hazardous fluid according to all local, state and national guidelines.
- Always wear protective eyewear, gloves, clothing and respirator as recommended by the fluid and solvent manufacturer.

Installation

Grounding

WARNING



FIRE AND EXPLOSION HAZARD

Before operating the pump, ground the system as explained below. Also read the section **FIRE OR EXPLOSION HAZARD** on page 5.

1. *King Pumps*: use a ground wire and clamp. See Fig. 1. Remove the ground screw (Z) and insert through eye of ring terminal at the end of ground wire (Y). Fasten ground screw back onto pump and tighten securely. Connect the other end of the wire to a true earth ground. Order Part No. 222011 Ground Wire and Clamp.

Premier Pumps: use a ground wire and clamp. See Fig. 2. Loosen the grounding lug locknut (W) and washer (X). Insert one end of a 1.5 mm² (12 ga) minimum ground wire (Y) into the slot in lug (Z) and tighten the locknut securely. Connect the other end of the wire to a true earth ground. Order Part No. 222011 Ground Wire and Clamp.

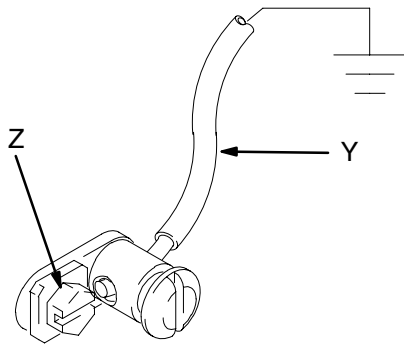


Fig. 1

T11052

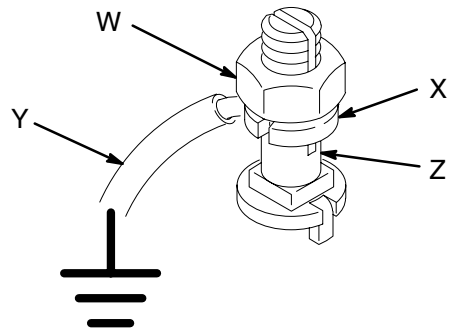


Fig. 2

0864

2. *Air and fluid hoses*: use only electrically conductive hoses.
3. *Air compressor*: follow manufacturer's recommendations.
4. *Spray gun/dispense valve*: ground through connection to a properly grounded fluid hose and pump.
5. *Fluid supply container*: follow your local code.
6. *Object being sprayed*: follow your local code.
7. *All solvent pails used when flushing*: follow your local code. Use only metal pails, which are conductive, placed on a grounded surface. Do not place the pail on a nonconductive surface, such as paper or cardboard, which interrupts the grounding continuity.
8. *To maintain grounding continuity when flushing or relieving pressure*, always hold a metal part of the gun/valve firmly to the side of a grounded *metal* pail, then trigger the gun/valve.

Installation

NOTE: Reference numbers and letters in parentheses in the text refer to the callouts in the figures and the parts drawings.

Accessories are available from Graco. If you supply your own accessories, be sure they are adequately sized and pressure-rated to meet the system's requirements.

The Typical Installation shown in Fig. 3 is only a guide for selecting and installing system components and accessories. Contact your Graco distributor for assistance in designing a system to suit your particular needs.

Assembling Model 237520

If you have Model 237520 Pump, assemble the displacement pump (106) to the Premier air motor (101) as explained on page 14. Install the designation plate kit (108) as explained in the instructions supplied with the kit.

KEY

- A Pump
- B 200 Liter (55 Gallon) Air-Powered Ram
- C Main Air Bleed Valve (required, for pump and ram)
- D Air Line Lubricator (position only)
- E Pump Air Bleed Valve (required, for pump)
- F Pump Air Regulator
- G Air Manifold
- H Electrically Conductive Air Supply Hose
- J Air Line Filter
- K Air Shutoff Valve (for accessories)
- L Fluid Regulator
- M Fluid Drain Valve (required)
- N Electrically Conductive Fluid Supply Hose
- P Fluid Shutoff Valve
- R Gun/Valve Swivel
- S Airless Spray Gun or Dispensing Valve
- T Ram Air Regulator
- U Ram Director Valve
- V Pump Runaway Valve (position only)
- W Air Line Drain Valve
- Y Ground Wire (required, see page 6 for installation instructions)

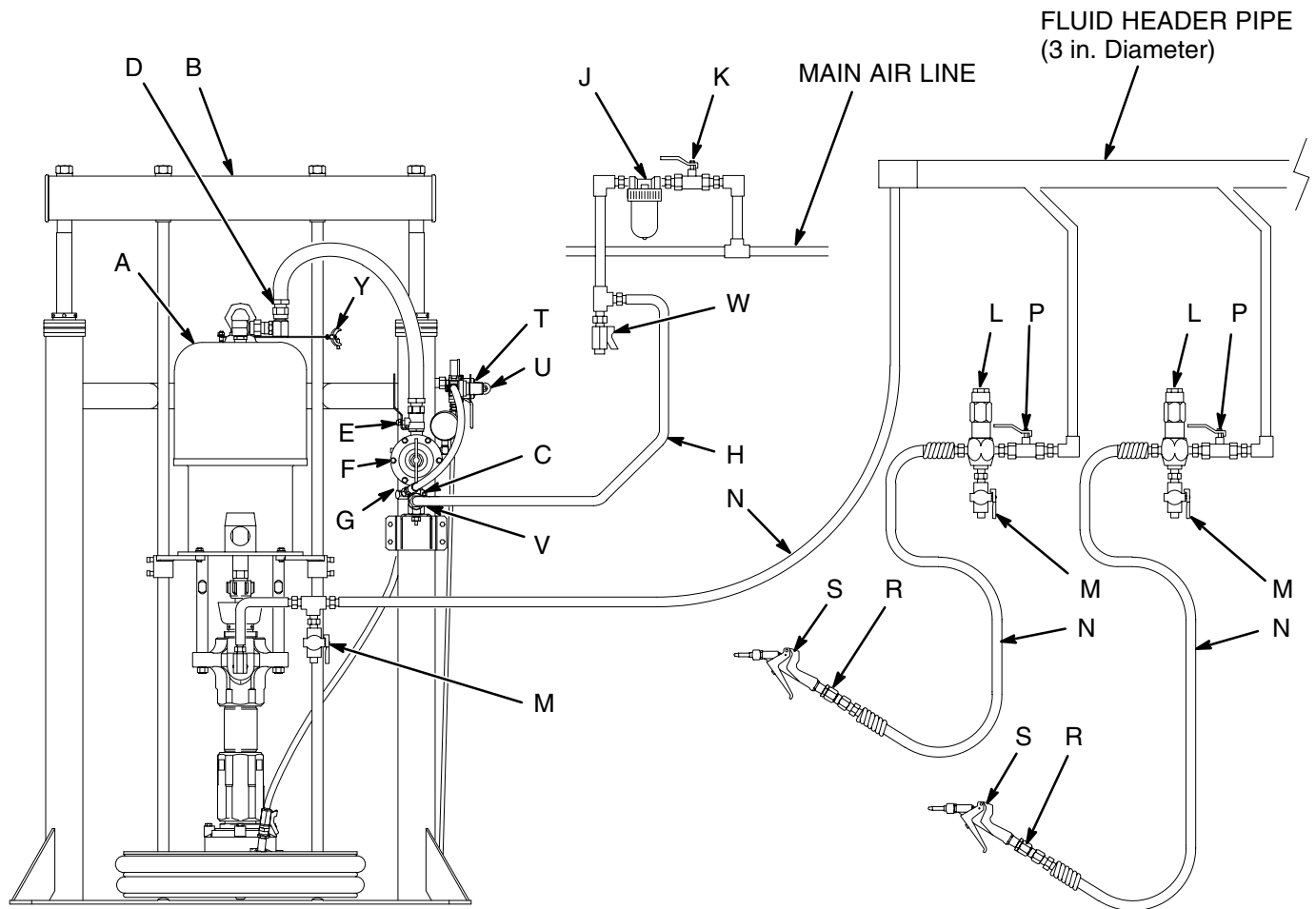


Fig. 3

05097

Installation

System Accessories

WARNING

A main air bleed valve (C), pump air bleed valve (E), and fluid drain valve (M) are required. These accessories help reduce the risk of serious injury, including fluid injection and splashing of fluid in the eyes or on the skin, and injury from moving parts if you are adjusting or repairing the pump.

The main air bleed valve (C) shuts off the air to the pump and ram. The pump air bleed valve (E) relieves air trapped between this valve and the pump after the air is shut off. Trapped air can cause the pump to cycle unexpectedly. Locate the valve close to the pump. Order Part No. 107141.

The fluid drain valve assists in relieving fluid pressure in the displacement pump, hose, and gun/valve. Triggering the gun/valve to relieve pressure may not be sufficient. Order Part No. 235992.

Air and Fluid Hoses

Be sure all air hoses (H) and fluid hoses (N) are properly sized and pressure-rated for your system. Use only electrically conductive hoses. Fluid hoses must have spring guards on both ends.

Mounting Accessories

Mount the pump (A) to suit the type of installation planned. Fig. 3 on page 7 illustrates a ram-mounted pump in a multi-gun header system. Pump dimensions and the mounting hole layout are shown on page 31.

If you are mounting the pump on a ram, refer to the separate ram manual for installation and operation instructions. Mounting Kit 222776 is available to mount the pump on a 55 gallon (200 liter) ram.

Air Line Accessories

Install the following accessories in the order shown in Fig. 3, using adapters as necessary:

- **An air line lubricator (D)** provides automatic air motor lubrication. Locate in the position shown.
- **A main air bleed valve (C)** is required in your system to shut off the air supply to the pump and ram (see the **WARNING** above). When closed, the valve will bleed off all air in the ram and pump, and the ram will slowly lower. Be sure the valve is easily accessible from the pump, and is located **upstream** from the air manifold (G).

- **A pump air bleed valve (E)** is required in your system to relieve air trapped between it and the air motor when the valve is closed (see the **WARNING** at left). Be sure the bleed valve is easily accessible from the pump, and is located **downstream** from the air regulator.
- **An air regulator (F)** controls pump speed and outlet pressure by adjusting the air pressure to the pump. Locate the regulator close to the pump, but **upstream** from the bleed-type master air valve.
- **A pump runaway valve (C)** senses when the pump is running too fast and automatically shuts off the air to the motor. A pump which runs too fast can be seriously damaged. Locate in the position shown.
- **An air manifold (G)** has a swivel air inlet. It mounts to a ram, and has ports for connecting lines to air accessories, such as the **ram air regulator (T)** and **ram director valve (U)**.
- **An air line filter (J)** removes harmful dirt and moisture from the compressed air supply. Also, install a **drain valve (W)** at the bottom of each air line drop, to drain off moisture.
- **An air shutoff valve (K)** isolates the air line accessories for servicing. Locate upstream from all other air line accessories.

Fluid Line Accessories

Install the following accessories in the positions shown in Fig. 3, using adapters as necessary:

- Install a **fluid shutoff valve (P)** at each gun/valve drop, to isolate the gun/valve and fluid accessories for servicing.
- Install a **fluid drain valve (M)** near the pump fluid outlet, and at each gun/valve station. The drain valves are required in your system to relieve fluid pressure in the displacement pump, hose and gun/valve (see the **WARNING** at left). Drain valves at the gun/valve stations may be mounted in the base of a **fluid regulator (L)**, using an adapter.
- **A fluid regulator (L)** controls fluid pressure to the gun/valve, and dampens pressure surges.
- **A gun or dispense valve (S)** dispenses the fluid. The gun shown in Fig. 3 is a high pressure dispensing gun for highly viscous fluids.
- **A gun/valve swivel (R)** allows freer gun/valve movement.

Operation

Pressure Relief Procedure

WARNING



INJECTION HAZARD

The system pressure must be manually relieved to prevent the system from starting or spraying accidentally. Fluid under high pressure can be injected through the skin and cause serious injury. To reduce the risk of an injury from injection, splashing fluid, or moving parts, follow the **Pressure Relief Procedure** whenever you:

- are instructed to relieve the pressure,
- stop spraying/dispensing,
- check or service any of the system equipment,
- or install or clean the spray tip/nozzle.

1. Lock the gun/valve trigger safety.
2. Shut off the air supply to the pump.
3. Close all air bleed valves (required in your system).
4. Unlock the gun/valve trigger safety.
5. Hold a metal part of the gun/valve firmly to the side of a grounded metal pail, and trigger the gun/valve to relieve pressure.
6. Lock the gun/valve trigger safety.
7. Open the drain valve (required in your system), having a container ready to catch the drainage.
8. Leave the drain valve open until you are ready to spray/dispense again.

If you suspect that the spray tip/nozzle or hose is completely clogged, or that pressure has not been fully relieved after following the steps above, very slowly loosen the tip guard retaining nut or hose end coupling and relieve pressure gradually, then loosen completely. Now clear the tip/nozzle or hose.

Packing Nut/Wet-Cup

Before starting, fill the packing nut (2) 1/3 full with Graco Throat Seal Liquid (TSL) or compatible solvent. See Fig. 4.

WARNING

To reduce the risk of serious injury whenever you are instructed to relieve pressure, always follow the **Pressure Relief Procedure** at left.

The packing nut is torqued at the factory and is ready for operation. If it becomes loose and there is leaking from the throat packings, relieve pressure, then torque the nut to 136–149 N.m (100–110 ft-lb) using the supplied wrench (109). Do this whenever necessary. Do not overtighten the packing nut.

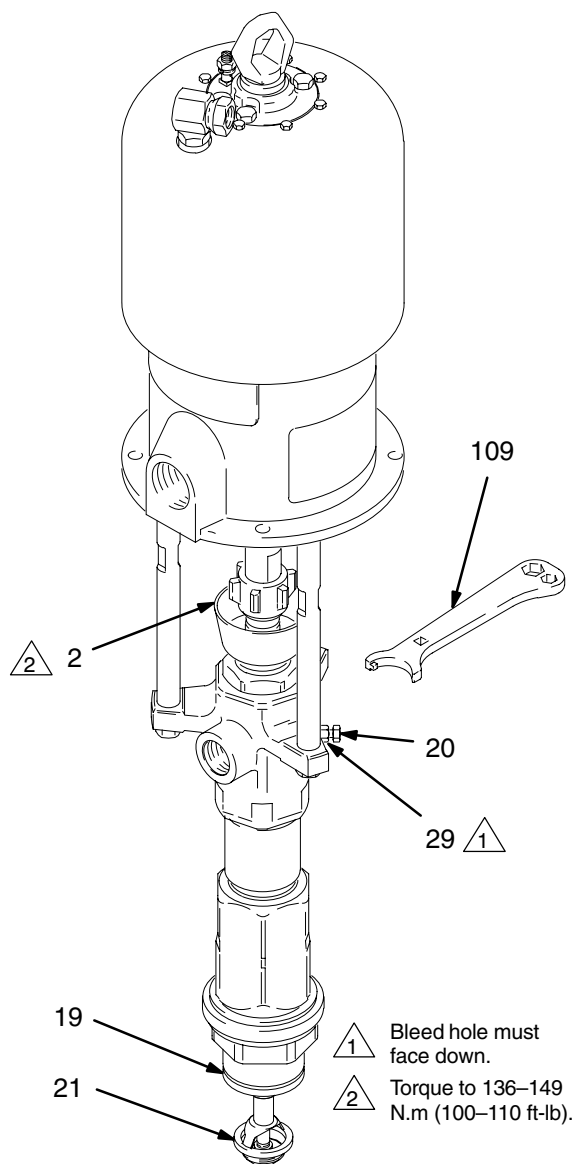


Fig. 4

03820

Operation

Flush the Pump Before First Use

The pump is tested with lightweight oil, which is left in to protect the pump parts. If the fluid you are using may be contaminated by the oil, flush it out with a compatible solvent. See **Flushing** on page 11.

Starting and Adjusting the Pump

WARNING



MOVING PARTS HAZARD

Keep hands and fingers away from the priming piston (21) during operation and whenever the pump is charged with air.

The priming piston extends beyond the intake housing (19) to pull material into the pump and can amputate a hand or finger caught between it and the intake housing. Follow the **Pressure Relief Procedure** on page 9, before checking, clearing, or cleaning the priming piston.

1. Supply fluid to the pump, per the requirements of your system.
2. See Fig. 3. Close the air regulator (F).
3. Open all air bleed valves (C, E).
4. Hold a metal part of the gun/valve (S) firmly to the side of a grounded metal pail and hold the trigger open.
5. Slowly open the air regulator until the pump starts.
6. Cycle the pump slowly until all air is pushed out and the pump and hoses are fully primed.
7. Release the gun/valve trigger and lock the trigger safety. The pump should stall against pressure.

10 308356

WARNING

INJECTION HAZARD

To reduce the risk of fluid injection, **do not** use your hand or fingers to cover the bleed hole on the underside of the bleeder valve body (29) when priming the pump. Use a crescent wrench to open and close the bleeder plug (20). Keep your hands away from the bleed hole.

8. If the pump fails to prime properly, open the bleeder valve plug (20) slightly. Use the bleed hole, on the underside of the valve body (29), as a priming valve until the fluid appears at the hole. See Fig. 4. Close the plug.

NOTE: When changing fluid containers with the hose and gun/valve already primed, open the bleeder valve plug (20), to help prime the pump and vent air before it enters the hose. Close the plug when all air is eliminated.

CAUTION

Do not allow the pump to run dry. It will quickly accelerate to a high speed, causing damage. If your pump is running too fast, stop it immediately and check the fluid supply. If the container is empty and air has been pumped into the lines, refill the container and prime the pump and the lines, or flush and leave it filled with a compatible solvent. Eliminate all air from the fluid system.

9. With the pump and lines primed, and with adequate air pressure and volume supplied, the pump will start and stop as you open and close the gun/valve. In a circulating system, the pump will speed up or slow down on demand, until the air supply is shut off.

WARNING

COMPONENT RUPTURE HAZARD



To reduce the risk of overpressurizing your system, which could cause component rupture and serious injury, *never exceed the Maximum Incoming Air Pressure to the pump* (see the **Technical Data** on pages 28–29).

10. Use the air regulator (F) to control the pump speed and the fluid pressure. Always use the lowest air pressure necessary to get the desired results. Higher pressures cause premature tip/nozzle and pump wear.

Operation

Shutdown and Care of the Pump

WARNING

To reduce the risk of serious injury whenever you are instructed to relieve pressure, always follow the **Pressure Relief Procedure** on page 9.

For overnight shutdown, stop the pump at the bottom of the stroke to prevent fluid from drying on the exposed displacement rod and damaging the throat packings. **Relieve the pressure.**

Always flush the pump before the fluid dries on the displacement rod. Refer to **Flushing** below.

Flushing

WARNING



FIRE AND EXPLOSION HAZARD
Before flushing, read the section **FIRE OR EXPLOSION HAZARD** on page 5. Be sure the entire system and flushing pails are properly grounded. Refer to **Grounding** on page 6.

Flush with a fluid that is compatible with the fluid you are pumping and with the wetted parts in your system. Check with your fluid manufacturer or supplier for recommended flushing fluids and flushing frequency. Always flush the pump before fluid dries on the displacement rod.

WARNING

To reduce the risk of serious injury whenever you are instructed to relieve pressure, always follow the **Pressure Relief Procedure** on page 9.

1. **Relieve the pressure.**
2. Remove the spray tip/nozzle from the gun/valve.
3. Hold a metal part of the gun/valve firmly to the side of a grounded *metal* pail.
4. Start the pump. Always use the lowest possible fluid pressure when flushing.
5. Trigger the gun/valve.
6. Flush the system until clear solvent flows from the gun/valve.
7. **Relieve the pressure.**

Troubleshooting

WARNING

To reduce the risk of serious injury whenever you are instructed to relieve pressure, always follow the **Pressure Relief Procedure** on page 9.

1. **Relieve the pressure.**
2. Check all possible problems and causes before disassembling the pump.

PROBLEM	CAUSE	SOLUTION
Pump fails to operate.	Restricted line or inadequate air supply; closed or clogged valves.	Clear; increase the air supply. Check that all valves are open.
	Obstructed fluid hose or gun/valve; fluid hose ID is too small.	Open, clear*; use a hose with a larger ID.
	Fluid dried on the displacement rod.	Clean; always stop the pump at the bottom of its stroke; keep the wet-cup 1/3 filled with a compatible solvent.
	Dirty, worn, or damaged motor parts.	Clean or repair; see the separate motor manual.
Pump operates, but output low on both strokes.	Restricted line or inadequate air supply; closed or clogged valves.	Clear; increase the air supply. Check that all valves are open.
	Obstructed fluid hose or gun/valve; fluid hose ID is too small.	Open, clear*; use a hose with a larger ID.
	Bleeder valve is open.	Close the valve.
	Air is leaking into the supply container.	Check the ram plate seal.
	Fluid is too heavy for pump priming.	Use the bleeder valve (see page 10); use a ram.
	Held open or worn intake valve or seals.	Clear the valve; replace the seals.
	Worn packings in the displacement pump.	Replace the packings.

THE TROUBLESHOOTING CHART IS CONTINUED ON PAGE 13.

* To determine if the fluid hose or gun is obstructed, follow the **Pressure Relief Procedure** on page 9. Disconnect the fluid hose and place a container at the pump fluid outlet to catch any fluid. Turn on the air just enough to start the pump. If the pump starts when the air is turned on, the obstruction is in the fluid hose or gun.

NOTE: If you experience air motor icing, contact your Graco distributor.

Troubleshooting

PROBLEM	CAUSE	SOLUTION
Pump operates, but output low on down-stroke.	Fluid too heavy for pump priming.	Use the bleeder valve (see page 10); use a ram.
	Held open or worn intake valve or seals.	Clear the valve; replace the seals.
Pump operates, but output low on upstroke.	Held open or worn piston valve or seals.	Clear the valve; replace the seals.
Erratic or accelerated pump speed.	Exhausted fluid supply.	Refill and prime.
	Fluid is too heavy for pump priming.	Use the bleeder valve (see page 10); use a ram.
	Held open or worn piston valve or seals.	Clear the valve; replace the seals.
	Held open or worn priming piston.	Clear; service.
	Worn packings in the displacement pump.	Replace the packings.

Service

Required Tools

- Torque wrench
- Bench vise, with soft jaws
- Rubber mallet
- Hammer
- O-ring pick
- 13 mm (1/2 in.) dia. brass rod
- Set of socket wrenches
- Set of adjustable wrenches
- Pipe wrench
- Packing nut wrench (109, supplied)
- Thread lubricant
- Loctite® 2760™ or equivalent

Disconnecting the Displacement Pump

1. Flush the pump, if possible. Stop the pump at the bottom of its stroke.

WARNING

To reduce the risk of serious injury whenever you are instructed to relieve pressure, always follow the **Pressure Relief Procedure** on page 9.

2. **Relieve the pressure.**
3. Disconnect the air and fluid hoses.
4. Disconnect the displacement pump (106) from the motor (101) as follows. Be sure to note the relative position of the pump's fluid outlet (X) to the motor air inlet (Y). If the motor does not require servicing, leave it attached to its mounting.

CAUTION

Be sure to use *at least* two people when lifting, moving, or disconnecting the pump. This pump is too heavy for one person. If you are disconnecting the displacement pump from a motor which is still mounted (for example, on a ram), *be sure* to support the displacement pump while it is being disconnected, to prevent it from falling and causing injury or property damage. Do this by securely bracing the pump, or by having at least two people hold it while another disconnects it.

5. Using an adjustable wrench (or a hammer and rod), unscrew the coupling nut (104) from the motor shaft (Z, Model 237708) or adapter (107, Model 237520). Do not lose or drop the coupling collars (105). See Fig. 5.
6. Hold the tie rod flats with a wrench to keep the rods from turning. Unscrew the nuts (103) from the tie rods (102). Carefully remove the displacement pump (106) from the motor (101).
7. Refer to page 16 for displacement pump service. To service the air motor, refer to the separate motor manual, supplied.

Reconnecting the Displacement Pump

NOTE: On Premier models, ensure that the rod adapter (107) has not loosened during maintenance. Proper torque is necessary to prevent the rod adapter from loosening during the pump operation.

If the rod adapter (107) has loosened during maintenance, remove the adapter and apply Loctite® 2760™ (or equivalent) to the rod adapter and air motor piston threads, and then torque as specified in Fig. 5.

1. Make sure the coupling nut (104) and the coupling collars (105) are in place on the displacement rod (1). See Fig. 5.
2. Use at least two people to hold the displacement pump while another reconnects it to the motor (see the **CAUTION** above). Orient the pump's fluid outlet (X) to the air inlet (Y) as was noted in step 4 under **Disconnecting the Displacement Pump**. Position the displacement pump (106) on the tie rods (102).
3. Screw the nuts (103) onto the tie rods (102) and torque to 81–89 N.m (60–66 ft-lb).
4. Loosely screw the coupling nut onto the motor shaft (Z, Model 237708) or adapter (107, Model 237520). Hold the motor shaft (Z) or adapter (107) flats with a wrench to keep it from turning. Use an adjustable wrench to tighten the coupling nut. Torque to 196–210 N.m (145–155 ft-lb).
5. Torque the packing nut (2) to 136–149 N.m (100–110 ft-lb).

Continued on page 14.

Service

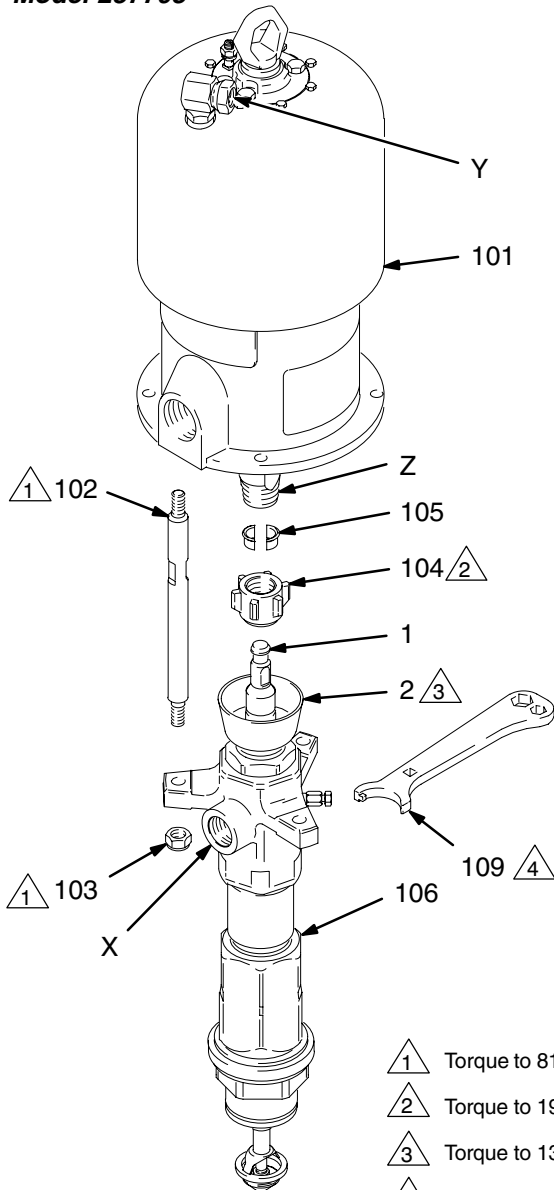
6. On Model 237520 only, install the designation label (108) according to the instructions supplied.
7. Reconnect all hoses. Reconnect the ground wire if it was disconnected. Fill the wet-cup (2) 1/3 full of Graco Throat Seal Liquid or compatible solvent.
8. Turn on the air supply. Run the pump slowly to ensure proper operation.

! WARNING

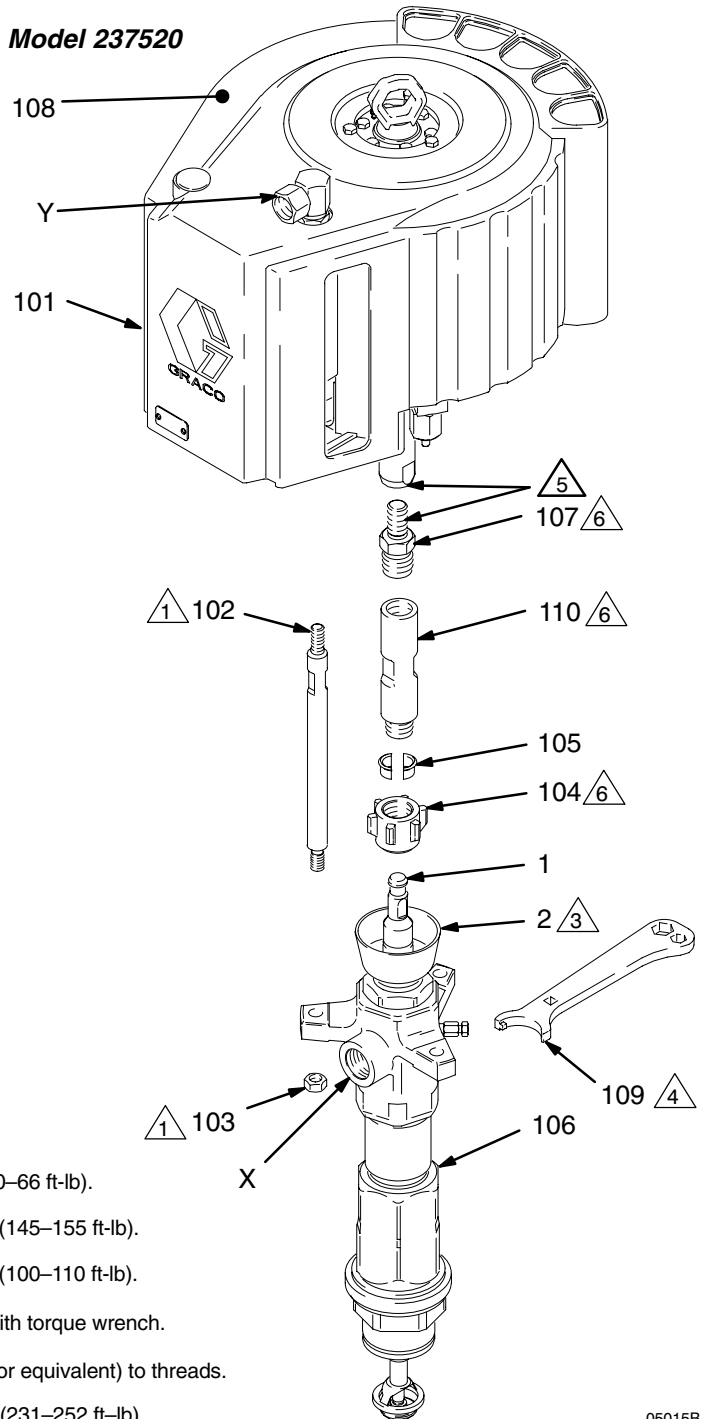
To reduce the risk of serious injury whenever you are instructed to relieve pressure, always follow the **Pressure Relief Procedure** on page 9.

9. Before returning the pump to production, relieve the pressure and retorque the packing nut (2) to 136–149 N.m (100–110 ft-lb).

Model 237708



Model 237520



- 1 Torque to 81–89 N.m (60–66 ft-lb).
- 2 Torque to 196–210 N.m (145–155 ft-lb).
- 3 Torque to 136–149 N.m (100–110 ft-lb).
- 4 Square hole is for use with torque wrench.
- 5 Apply Loctite® 2760™ (or equivalent) to threads.
- 6 Torque to 312–340 N.m (231–252 ft-lb).

03821

Fig. 5

05015B

Displacement Pump Service

Disassembly

When disassembling the pump, lay out all the removed parts in sequence, to ease reassembly. Clean all parts with a compatible solvent and inspect them for wear or damage. Refer to Fig. 8 for a cutaway view of the pump.

NOTE: Repair Kit 222871 is available. See page 27. For the best results, use all the new parts in the kit. Kit parts are marked with an asterisk, for example (4*).

1. Remove the displacement pump from the air motor as explained on page 14. Place the pump in a vise, with the outlet housing (9) positioned as shown in Fig. 7.
2. Hold the flats of the priming piston rod (18) with an adjustable wrench, and use a second wrench to unscrew the priming piston seat (22) from the rod. Slide the priming piston (21) off the rod. Inspect the inner and outer surfaces of the piston (21) for scoring, wear, or other damage.
3. Loosen the packing nut (2) using the wrench (109) supplied.
4. Using a pipe wrench on the hex of the intake cylinder (19), unscrew it from the intake valve housing (17). The pump may separate at joints A, B, or C. See Fig. 7.

NOTE: These instructions are written with the pump separating at joint A. If it separates at joints B or C, disassemble it at that joint, place the intake housing (17) in a vise, and continue with step 5.

5. Unscrew the intake valve housing (17) from the cylinder (10) and outlet housing (9). Pull the housing off the pump. The intake check valve assembly (V, see Fig. 6) should slide down the priming piston rod (18) as you remove the housing; if it does not slide easily, firmly tap on the top of the housing (17) with a rubber mallet to loosen.

DETAIL OF INTAKE CHECK VALVE

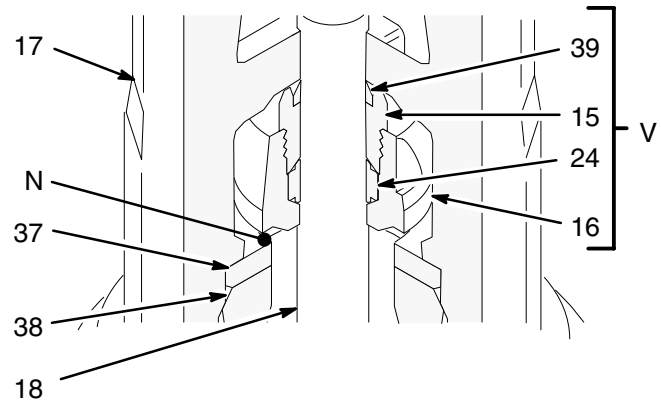


Fig. 6

05013

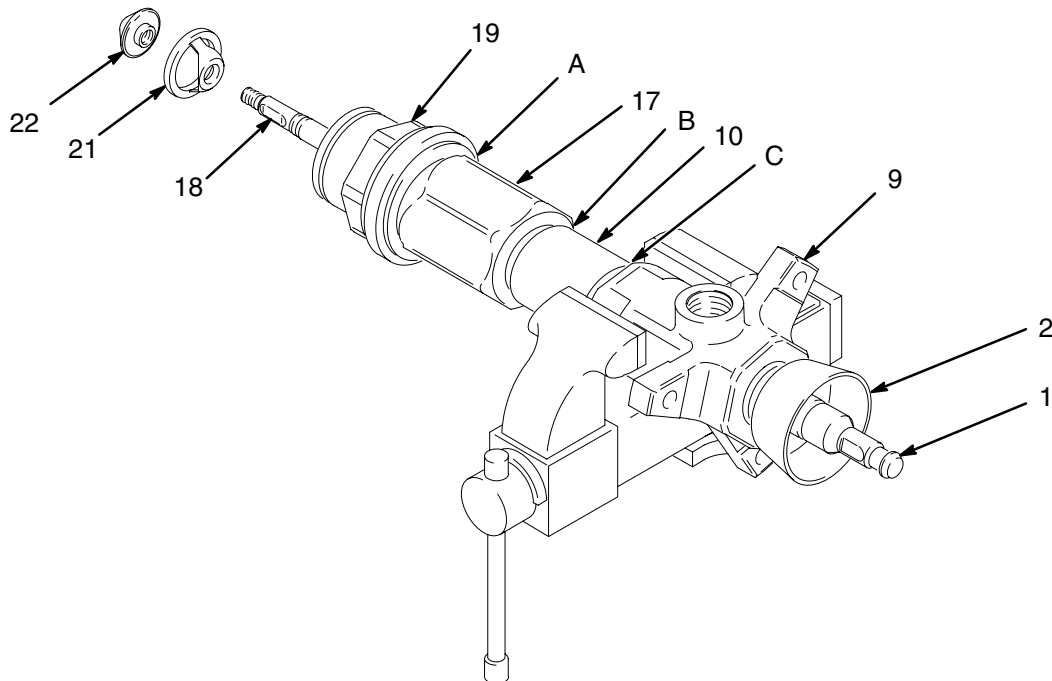


Fig. 7

03829

Displacement Pump Service

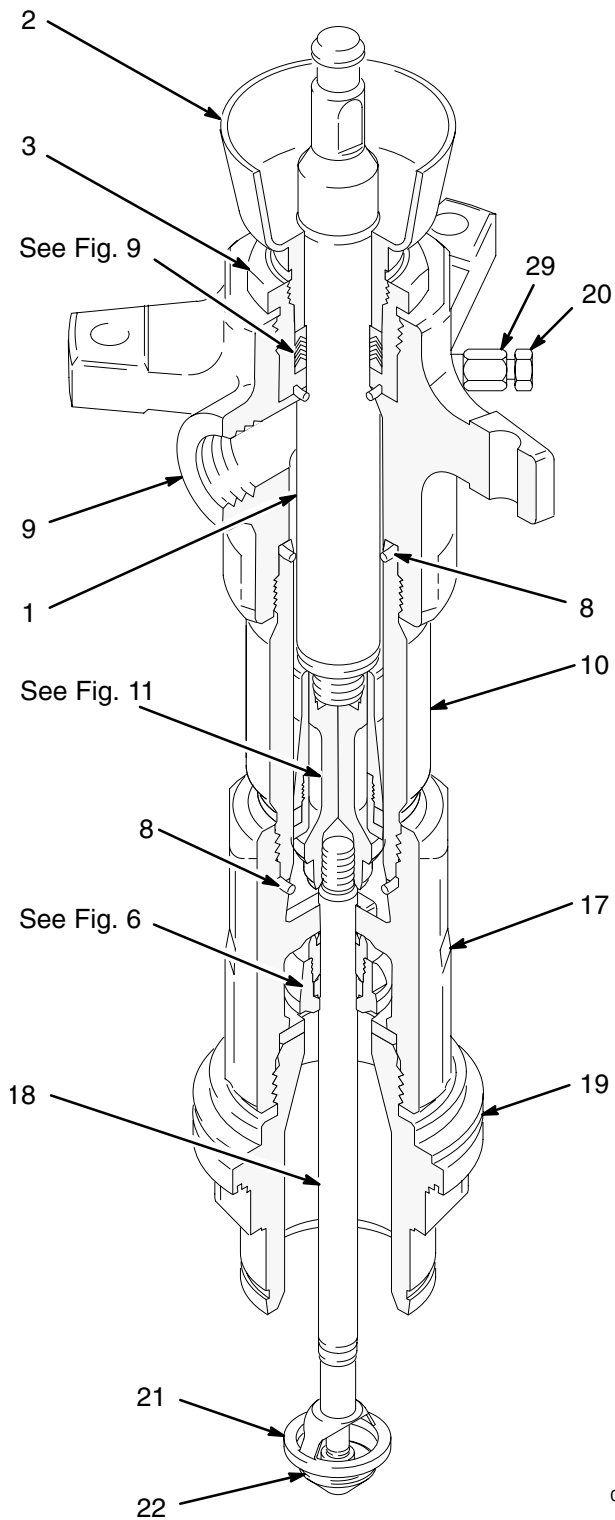


Fig. 8

05013

6. Pull the intake seat (37) and seal (38) out the bottom of the intake valve housing (17). Take care not to drop the check valve assembly (V) as it comes free, and set it aside for later. See Fig. 6.

NOTE: If the seat (37) is difficult to remove, insert a hammer and brass rod through the top of the housing (17) and drive the seat out.

7. Using a rubber mallet, drive the displacement rod (1) and the priming piston rod (18) out of the outlet housing (9) and cylinder (10). Inspect the outer surfaces of the rods for damage by running a finger over the surface.
8. Unscrew the packing nut (2). Unscrew the packing housing (3) and remove the seal (42). Remove the throat glands and packings (T). See Fig. 9.

THROAT PACKING DETAIL

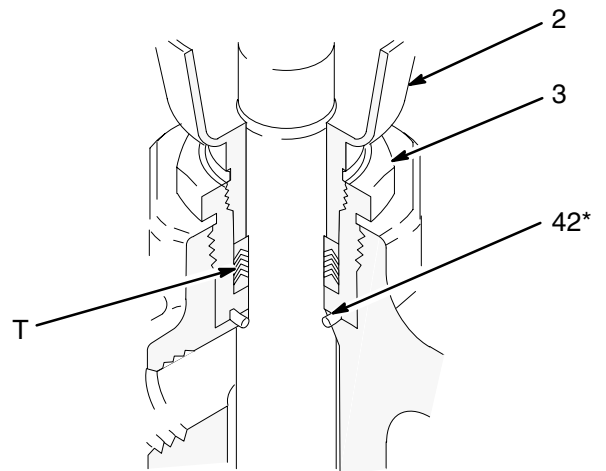


Fig. 9

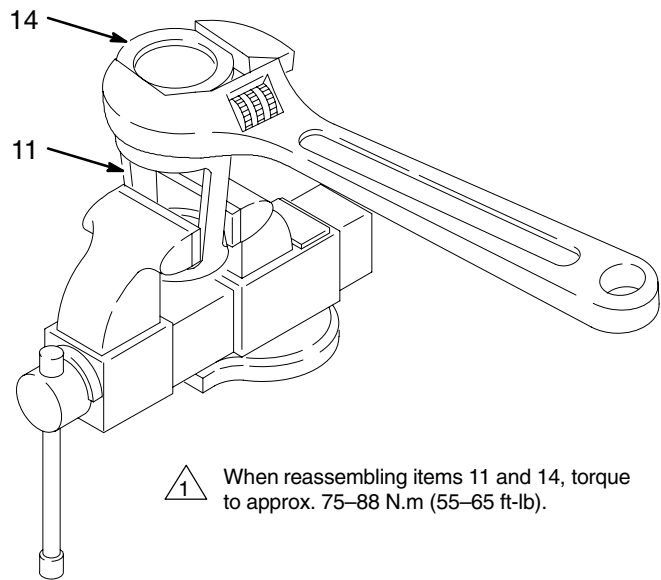
05013

Displacement Pump Service

9. Remove the seal (8) from the bottom of the cylinder (10). See Fig. 11. Shine a light into the cylinder to examine the inside surface for scoring or damage. **Only if the cylinder is damaged, or there is evidence of leaking around the top cylinder seal (8),** unscrew the cylinder from the outlet housing, using a pipe wrench. Remove the top cylinder seal.
10. Place the flats of the displacement rod (1) in a vise. Unscrew the piston (12) from the displacement rod; the priming piston rod (18) will come with it. Slide the piston guide (11) and seat (14) off the piston (12).
11. It is not necessary to remove the priming piston rod (18) from the piston (12) unless your inspection reveals damage to either part. To disassemble, place the piston flats in a vise and unscrew the rod.
12. Place the piston guide (11) in a vise, as shown in Fig. 10. Using an adjustable wrench, unscrew the piston seat (14) from the guide. Remove the seal (13); always replace it with a new one. Inspect the mating surfaces (M) of the piston (12) and piston seat (14) for damage or wear. See Fig. 11.
13. To disassemble the intake check valve assembly (V), place the intake valve body (16) in a vise and unscrew the packing nut (15). Remove the seal (39) from the nut, and the packing (24) from the valve body. Inspect the mating surfaces (N) of the intake valve body (16) and seat (37) for damage or wear. See Figs. 6 and 12.

NOTE: The seal (39) is press-fit in the nut (15) and may require cutting to ease removal.

14. Unscrew the bleeder valve plug (20) completely from the valve body (29). Clean the valve threads and the bleed hole. It is not necessary to remove the valve body from the pump outlet housing (9).
15. Inspect all parts for damage. Clean all parts and threads with a compatible solvent. Reassemble as explained on page 19.



1 When reassembling items 11 and 14, torque to approx. 75–88 N.m (55–65 ft-lb).

Fig. 10

03832

DETAIL OF PISTON CHECK VALVE

- 1 Torque to 125–137 N.m (92–101 ft-lb).
- 2 Torque to 339–359 N.m (250–265 ft-lb).
- 3 Lubricate.

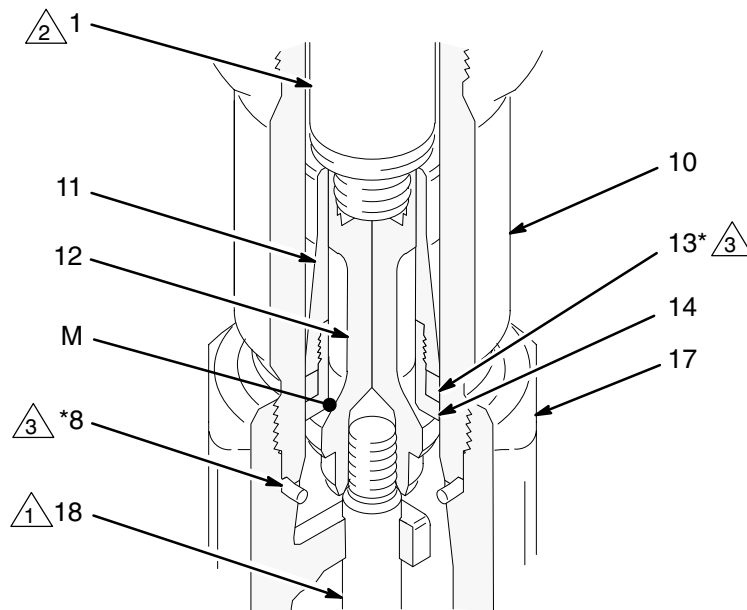


Fig. 11

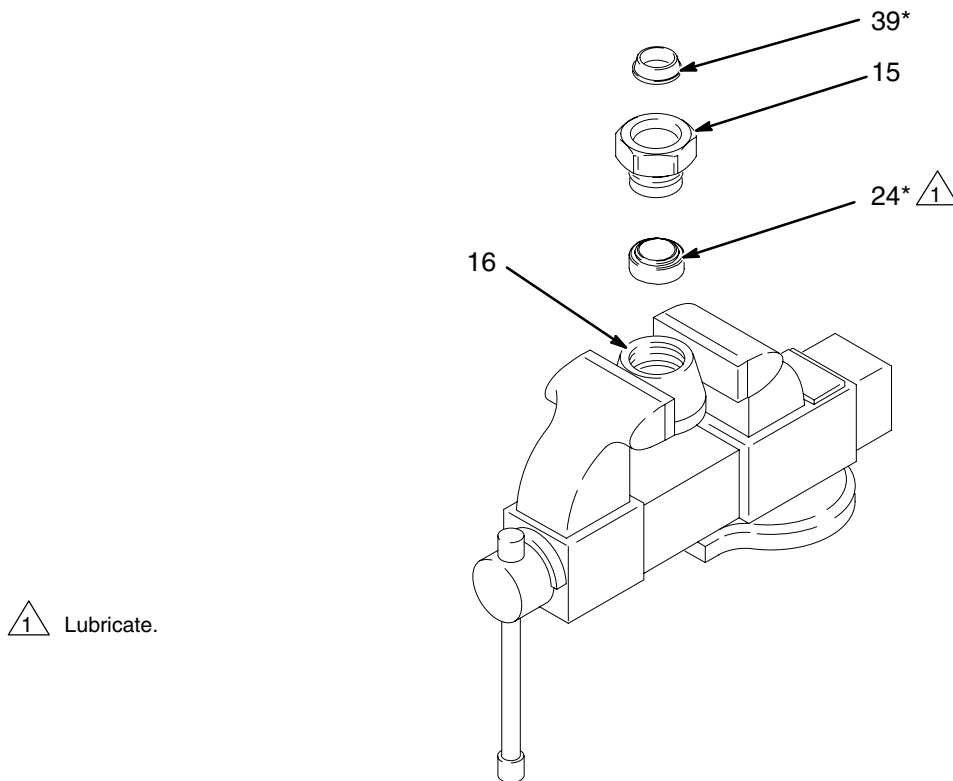
05002

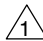
Displacement Pump Service

Reassembly

Fig. 14 shows a cutaway of the entire pump.

1. Lubricate the intake packing (24*) and install it in the valve body (16) as shown in Fig. 12.
2. With the beveled side facing up, press the intake valve seal (39*) into the recess of the intake valve packing nut (15) until it snaps into place. The nose of the seal should be flush with or slightly recessed into the face of the packing nut.
3. Place the flats of the valve body (16) in a vise. Screw the packing nut (15) into the valve body handtight. Set the intake housing assembly aside.
4. Lubricate the piston seal (13*) and install it on the piston seat (14). Screw the piston guide (11) onto the seat (14). Place the guide in a vise as shown in Fig. 10 and torque the seat to 75–88 N.m (55–65 ft-lb).
5. If it was necessary to remove the priming piston rod (18) from the piston (12), place the flats of the piston in a vise. Using an adjustable wrench on the flats of the rod, screw the rod into the piston. Torque to 125–137 N.m (92–101 ft-lb). Be careful not to create burrs on the flats of the rod.
6. Place the piston seat/guide assembly onto the piston (12) so the 45° beveled seating surfaces match. Screw the displacement rod (1) into the piston (12) hand tight, then torque the rod to 339–359 N.m (250–265 ft-lb).



 Lubricate.

05008

Fig. 12

Displacement Pump Service

- If the cylinder (10) was removed from the outlet housing (9), lubricate the seal (8*) and place it on the top of the cylinder. (The cylinder is symmetrical, so either end can be the top.) Screw the cylinder into the outlet housing. See Fig. 14.
- Lubricate the seal (42*) and install it in the groove on the bottom of the packing housing (3). Screw the packing housing into the outlet housing (9) and torque to 203–237 N.m (150–175 ft-lb). See the Detail in Fig. 14.
- Lubricate the throat packings and glands, and install them in the packing housing (3) one at a time, **with the lips of the v-packings facing down**. Install the v-packings in the order shown in the Detail in Fig. 14. Loosely install the packing nut (2).
- Lubricate the displacement rod (1). Slide the rod, piston assembly, and priming piston rod (18) into the cylinder (10) from the bottom, until the top of the rod (1) protrudes from the packing nut (2).
- Lubricate the seal (8*) and install it on the bottom of the cylinder (10). Slide the intake valve housing (17) onto the priming piston rod (18), making certain that the smooth surface of the valve stop (VS) is facing down toward the pump intake. Screw the housing onto the cylinder. See Fig. 14.
- Lubricate the priming piston rod (18), then slide the assembled intake valve (V) onto the rod, making certain that the packing nut (15) goes on the rod first. Push the valve assembly up the rod, stopping before it reaches the intake valve housing (17). See Fig. 13.
- Hold the valve body (16) steady with a wrench while using an adjustable wrench to tighten the packing nut (15). See Fig. 13. Torque to 97–106 N.m (71–78 ft-lb). Use a rubber mallet on the priming piston rod (18), to drive the valve assembly up to the stop (VS).
- The intake seat (37) is reversible. Inspect both sides of the seat and install it with the best side facing into the housing (17). Push it into the housing until it seats securely. Lubricate the seal (38*) and install in the bevel around the bottom of the seat. See Fig. 14.

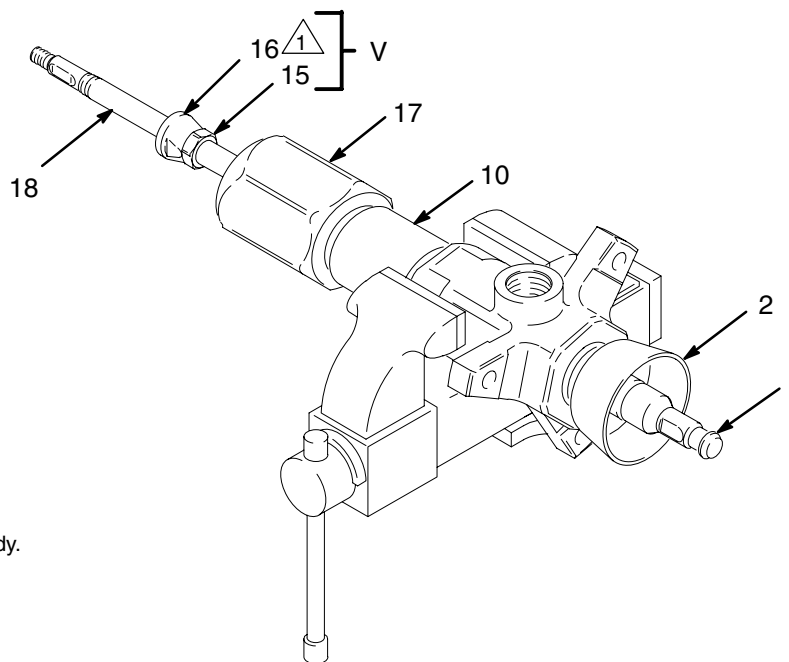
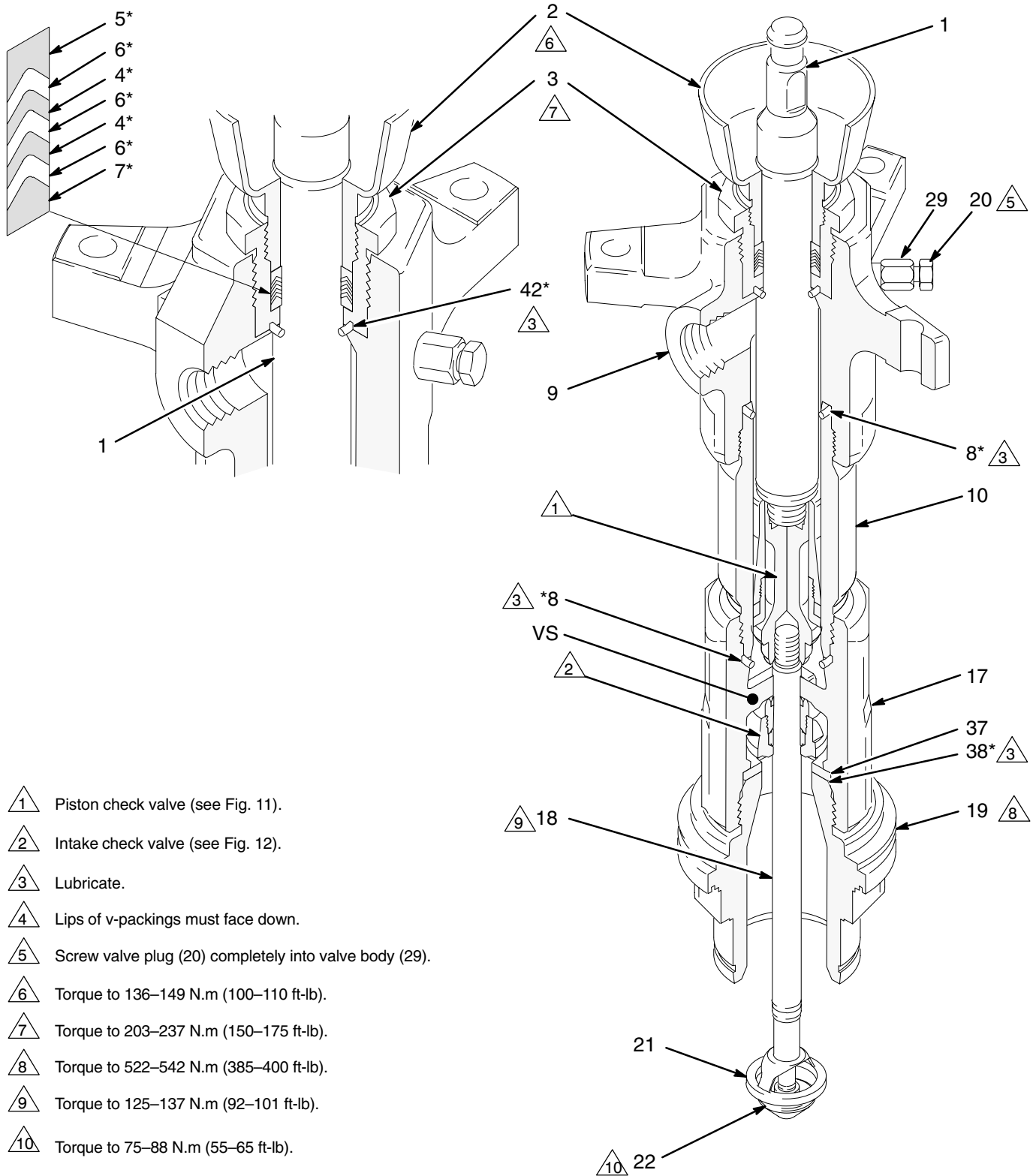


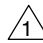
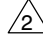
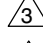
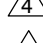
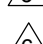

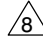
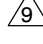
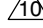

Fig. 13

03830

Displacement Pump Service

THROAT PACKING DETAIL



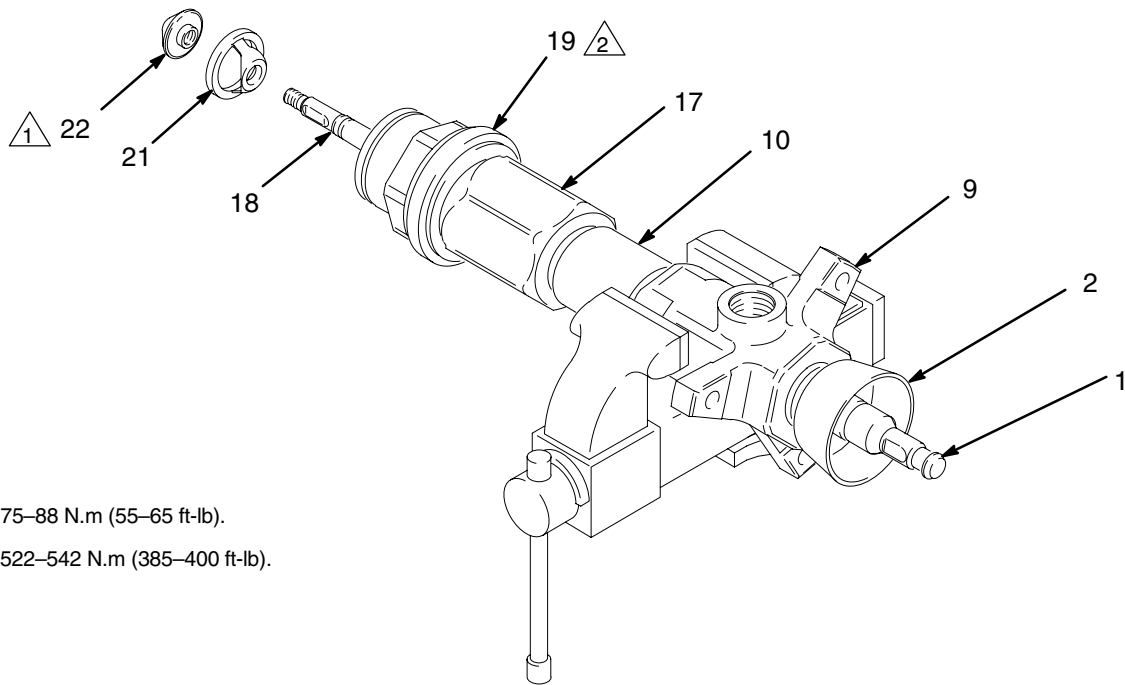
-  1 Piston check valve (see Fig. 11).
-  2 Intake check valve (see Fig. 12).
-  3 Lubricate.
-  4 Lips of v-packings must face down.
-  5 Screw valve plug (20) completely into valve body (29).
-  6 Torque to 136–149 N.m (100–110 ft-lb).
-  7 Torque to 203–237 N.m (150–175 ft-lb).
-  8 Torque to 522–542 N.m (385–400 ft-lb).
-  9 Torque to 125–137 N.m (92–101 ft-lb).
-  10 Torque to 75–88 N.m (55–65 ft-lb).

05013

Fig. 14

Displacement Pump Service

15. Screw the intake cylinder (19) into the intake housing (17). Using a pipe wrench on the hex of the cylinder (19), torque the cylinder to 522–542 N.m (385–400 ft-lb). This will also torque the intake valve housing (17) and pump cylinder (10) into the outlet housing (9). See Fig. 15.
16. Screw the bleeder valve plug (20) into the valve body (29). The plug has two sets of threads. When reassembling, be sure to screw the plug completely into the valve body. See Fig. 14.
17. Check that the flats of the priming piston rod (18) are accessible below the intake cylinder (19). If not, tap on the top of the displacement rod (1) with a rubber mallet, until the flats are exposed.
18. Slide the priming piston (21) onto the rod (18) until it stops. Hold the rod (18) steady with an adjustable wrench on the flats, and screw the seat (22) onto the rod with another wrench. Torque to 75–88 N.m (55–65 ft-lb). See Fig. 15.
19. Reconnect the displacement pump to the air motor as explained on page 14.





-  Torque to 75–88 N.m (55–65 ft-lb).
-  Torque to 522–542 N.m (385–400 ft-lb).

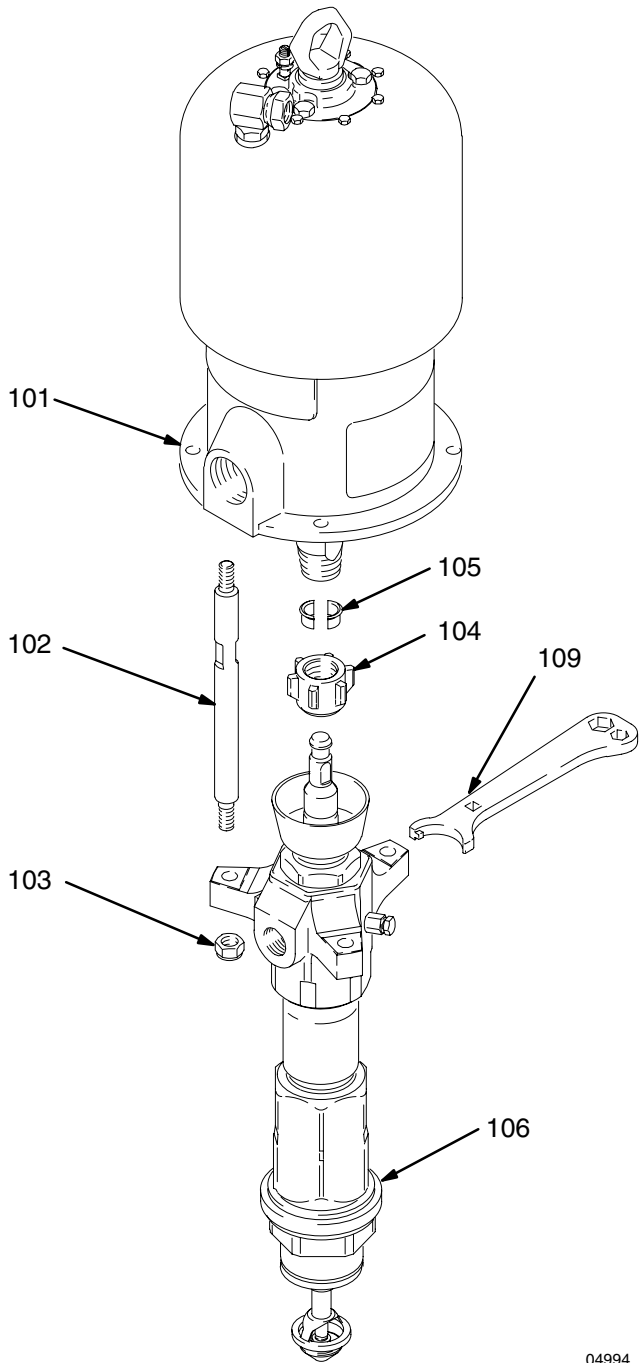
Fig. 15

03829

Parts

Part No. 237708 Pump, Series B, 50:1 Ratio, with King Air Motor

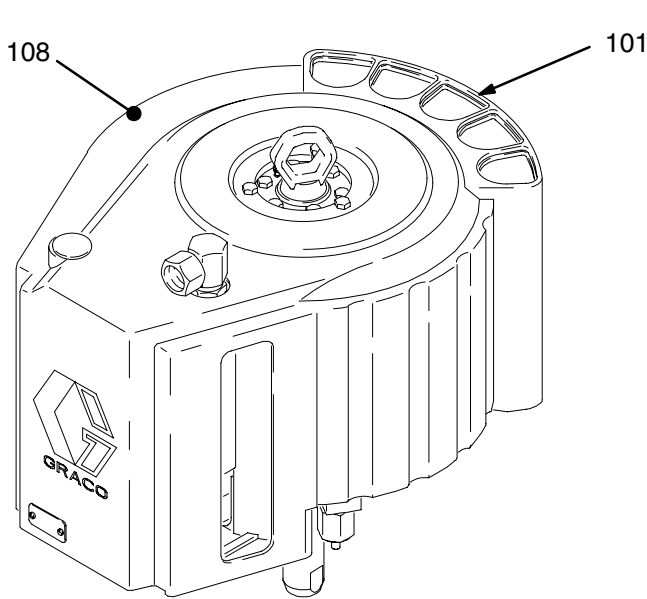
Ref. No.	Part No.	Description	Qty.
101	245111	AIR MOTOR, King See 309347 for parts	1
102	190000	ROD, tie; 224 mm (8.82 in.) shoulder to shoulder	3
103	106166	NUT, hex; M16 x 2.0	3
104	186925	NUT, coupling	1
105	184129	COLLAR, coupling	2
106	236613	PUMP, displacement See page 26 for parts	1
109	112887	WRENCH, spanner	1



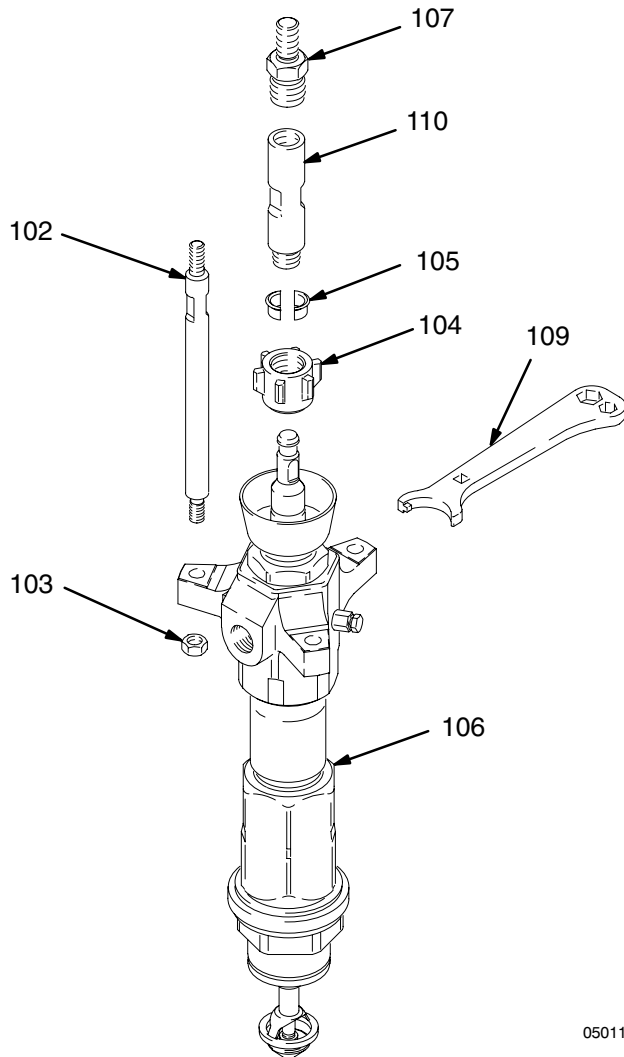
04994

Parts

Part No. 237520 Pump, Series A, 80:1 Ratio, with Premier Air Motor

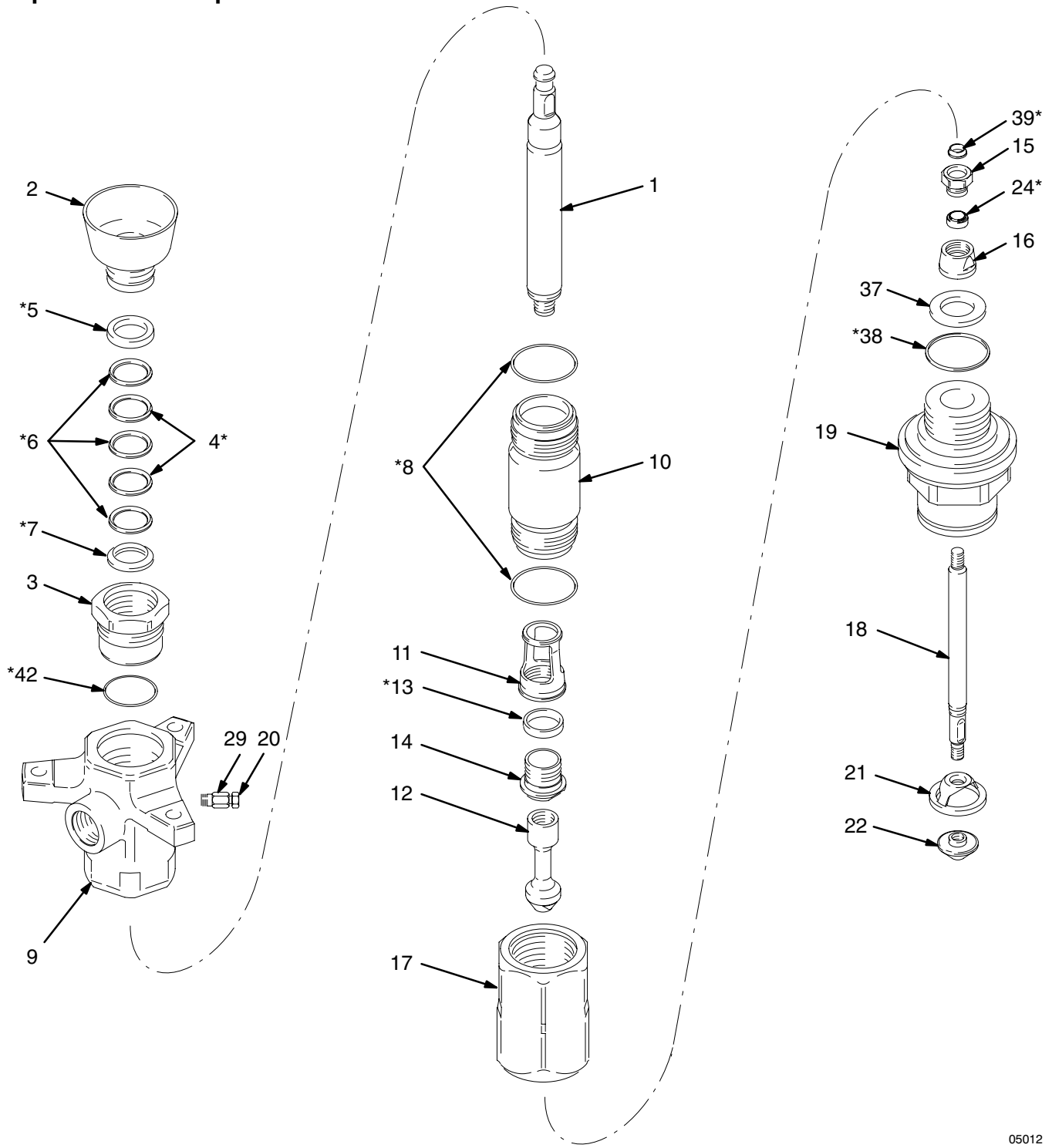


Ref. No.	Part No.	Description	Qty.
101	222800	AIR MOTOR, Premier See 308213 for parts	1
102	184381	ROD, tie; 560 mm (22.1 in) shoulder to shoulder	3
103	106166	NUT, hex; M16 x 2.0	3
104	184098	NUT, coupling	1
105	184129	COLLAR, coupling	2
106	236613	PUMP, displacement See page 26 for parts	1
107	184583	ADAPTER, connecting rod	1
108	237706	KIT, designation plate	1
109	112887	WRENCH, spanner	1
110	191069	ADAPTER, rod	1



Displacement Pump Parts

Model 236613, Series A
Displacement Pump



05012

Displacement Pump Parts

Model 236613, Series A Displacement Pump

Ref No.	Part No.	Description	Qty	Ref No.	Part No.	Description	Qty
1	184487	ROD, displacement; stainless steel	1	17	237979	HOUSING, intake; stainless steel	1
2	236582	PACKING NUT/WET-CUP; stainless steel	1	18	184490	ROD, priming piston; stainless steel	1
3	189645	HOUSING, throat packing; stainless steel	1	19	189516	CYLINDER, intake; stainless steel	1
4*	109309	V-PACKING, throat; PTFE	2	20	190293	PLUG, bleeder valve; stainless steel	1
5*	184179	GLAND, throat, female; stainless steel	1	21	276378	PISTON, priming; stainless steel	1
6*	109259	V-PACKING, throat; UHMWPE	3	22	190241	SEAT, priming piston; stainless steel	1
7*	184229	GLAND, throat, male; stainless steel	1	24*	189851	PACKING, intake valve; PTFE	1
8*	109499	SEAL, cylinder; PTFE	2	29	184392	BODY, bleeder valve; stainless steel	1
9	237700	HOUSING, outlet; stainless steel	1	30▲	172479	TAG, warning (not shown)	1
10	189384	CYLINDER, pump; stainless steel	1	36▲	172477	TAG, warning (not shown)	1
11	189518	GUIDE, piston; stainless steel	1	37	189446	SEAT, intake valve; chrome-plated stainless steel	1
12	184491	SEAT, piston	1	38*	189492	SEAL, intake; PTFE	1
13*	190016	SEAL, piston; UHMWPE	1	39*	190017	SEAL, intake valve; PTFE	1
14	184520	SEAT, piston; stainless steel	1	42*	166073	SEAL; PTFE	1
15	189520	NUT, packing, intake valve; stainless steel	1				
16	189521	VALVE BODY, intake; chrome-plated stainless steel	1				

* These parts are included in Pump Repair Kit 222871, which may be purchased separately.

▲ Replacement Danger and Warning labels, tags and cards are available at no cost.

Technical Data

(Model 237708 King Pump)

⚠ WARNING

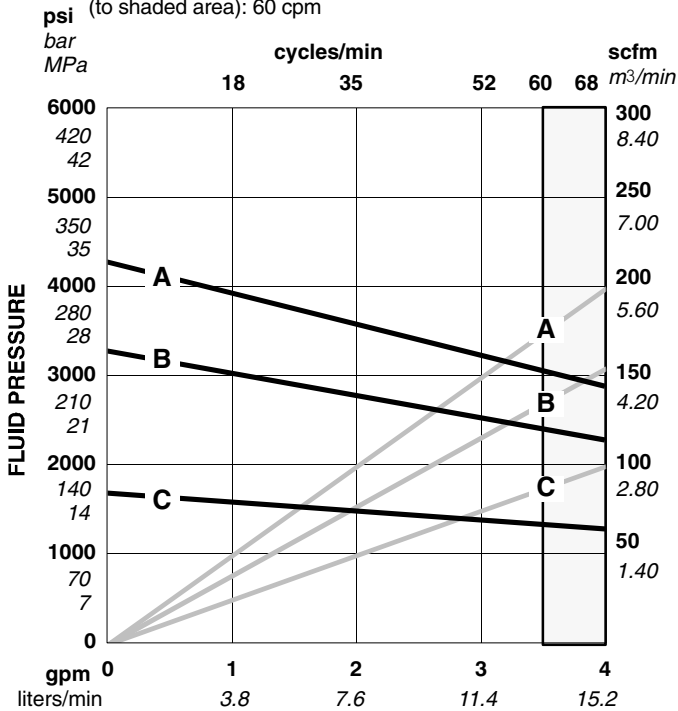
Be sure that all fluids and solvents used are chemically compatible with the Wetted Parts listed below. Always read the manufacturer's literature before using fluid or solvent in this pump.

Ratio	50:1
Maximum fluid working pressure	34.5 MPa, 345 bar (5000 psi)
Maximum air input pressure	0.7 MPa, 7 bar (100 psi)
Pump cycles per 3.8 liters (1 gal.)	21
Fluid flow at 60 cycles/min	14.4 liters/min (3.8 gpm)
Air motor piston effective area	506 cm ² (78.5 in. ²)
Stroke length	120 mm (4.75 in.)
Displacement pump effective area	10 cm ² (1.55 in. ²)
Maximum pump operating temperature	65.5°C (150°F)
Noise level at 90 psi, 25 cycles/min	98 dBA
Sound power level at 90 psi, 25 cycles/min	111 dBA
Air inlet size	3/4 npsm(f)
Fluid outlet size	1 in. npt(f)
Weight	approx. 73 kg (160 lb)
Displacement Pump Weight	approx. 37 kg (81 lb)
Wetted parts	Chrome, Zinc, and Nickel Plating; 304, 316, 440, 440C, PH 13-8 MO, and 17-4 PH Grades of Stainless Steel; PTFE; Glass-Filled PTFE; Ultra-High Molecular Weight Polyethylene

KEY: Fluid Outlet Pressure – Black Curves
Air Consumption – Gray Curves

A 0.6 MPa, 6.3 bar (90 psi) Air Pressure
B 0.5 MPa, 4.9 bar (70 psi) Air Pressure
C 0.3 MPa, 2.8 bar (40 psi) Air Pressure

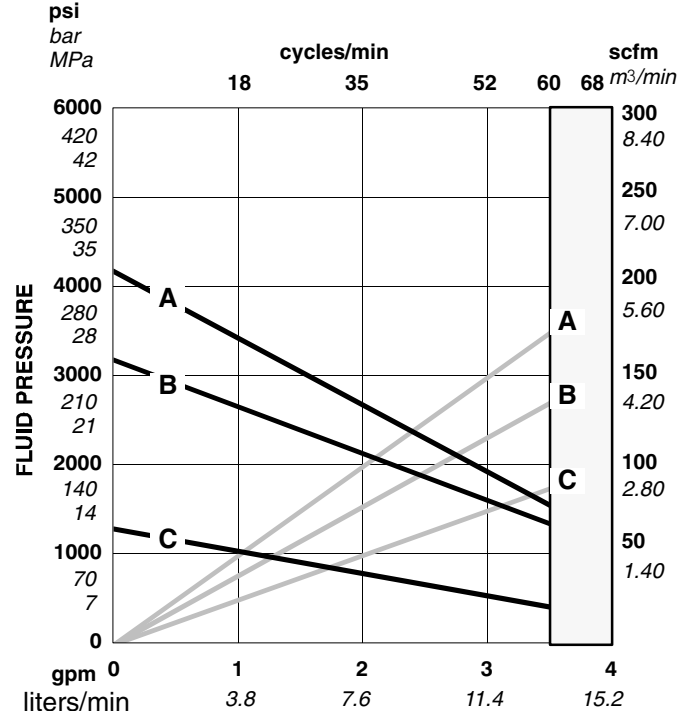
NOTE: Recommended pump speed for continuous operation (to shaded area): 60 cpm



FLUID FLOW
(TEST FLUID: NO. 10 WEIGHT OIL)

To find Fluid Outlet Pressure (bar/psi) at a specific fluid flow (lpm/gpm) and operating air pressure (bar/psi):

1. Locate desired flow along bottom of chart.
2. Follow vertical line up to intersection with selected fluid outlet pressure curve (black). Follow left to scale to read fluid outlet pressure.



FLUID FLOW
(TEST FLUID: 4 MILLION CPS
WELDABLE RUBBER BASE SEALER)

To find Pump Air Consumption (m³/min or scfm) at a specific fluid flow (lpm/gpm) and air pressure (bar/psi):

1. Locate desired flow along bottom of chart.
2. Read vertical line up to intersection with selected air consumption curve (gray). Follow right to scale to read air consumption.

Technical Data

Model 237520 Premier Pump

⚠ WARNING

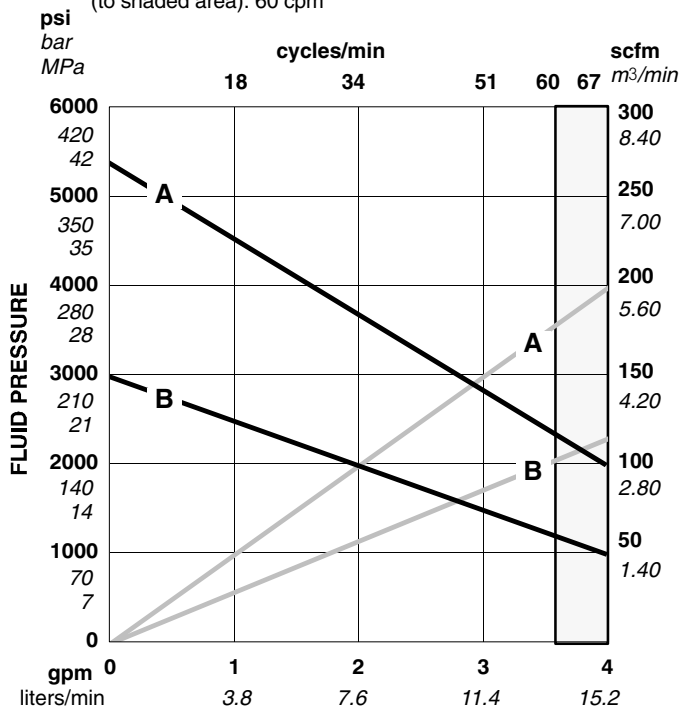
Be sure that all fluids and solvents used are chemically compatible with the Wetted Parts listed below. Always read the manufacturer's literature before using fluid or solvent in this pump.

Ratio	80:1
Maximum fluid working pressure	40.3 MPa, 403 bar (5850 psi)
Maximum air input pressure	0.5 MPa, 5 bar (73 psi)
Pump cycles per 3.8 liters (1 gal.)	16
Fluid flow at 60 cycles/min	14.4 liters/min (3.8 gpm)
Air motor piston effective area	248 cm ² (38 in. ²)
Stroke length	120 mm (4.75 in.)
Displacement pump effective area	10 cm ² (1.55 in. ²)
Maximum pump operating temperature	65.5°C (150°F)
Noise level at 73 psi, 25 cycles/min	88 dBA
Sound power level at 73 psi, 25 cycles/min	101 dBA
Air inlet size	1 in. npt(f)
Fluid outlet size	1 in. npt(f)
Weight	approx. 73 kg (160 lb)
Displacement Pump Weight	approx. 37 kg (81 lb)
Wetted parts	Chrome, Zinc, and Nickel Plating; 304, 316, 440, 440C, PH 13–8 MO, and 17–4 PH Grades of Stainless Steel; PTFE; Glass-Filled PTFE; Ultra-High Molecular Weight Polyethylene

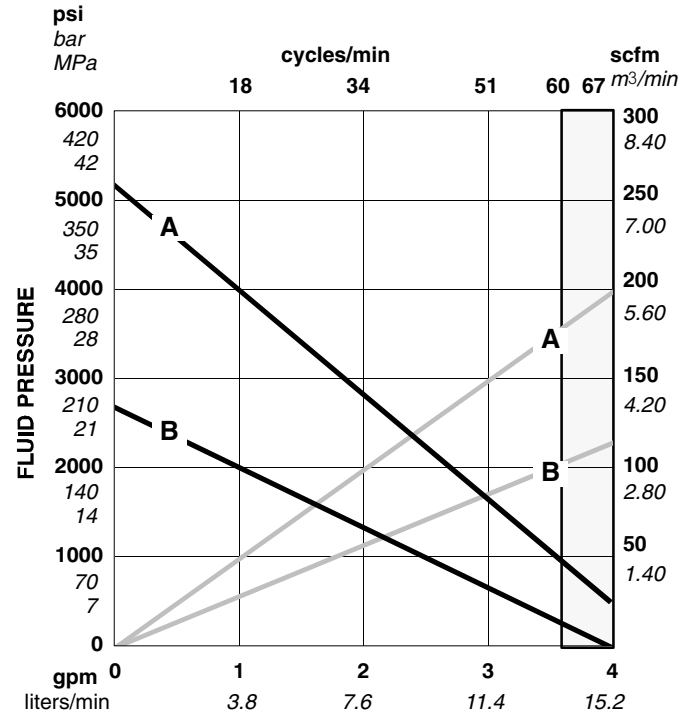
KEY: Fluid Outlet Pressure – Black Curves
Air Consumption – Gray Curves

A 0.5 MPa, 5.0 bar (73 psi) Air Pressure
B 0.3 MPa, 2.8 bar (40 psi) Air Pressure

NOTE: Recommended pump speed for continuous operation (to shaded area): 60 cpm



FLUID FLOW
(TEST FLUID: NO. 10 WEIGHT OIL)



FLUID FLOW
(TEST FLUID: 4 MILLION CPS
WELDABLE RUBBER BASE SEALER)

To find Fluid Outlet Pressure (bar/psi) at a specific fluid flow (lpm/gpm) and operating air pressure (bar/psi):

1. Locate desired flow along bottom of chart.
2. Follow vertical line up to intersection with selected fluid outlet pressure curve (black). Follow left to scale to read fluid outlet pressure.

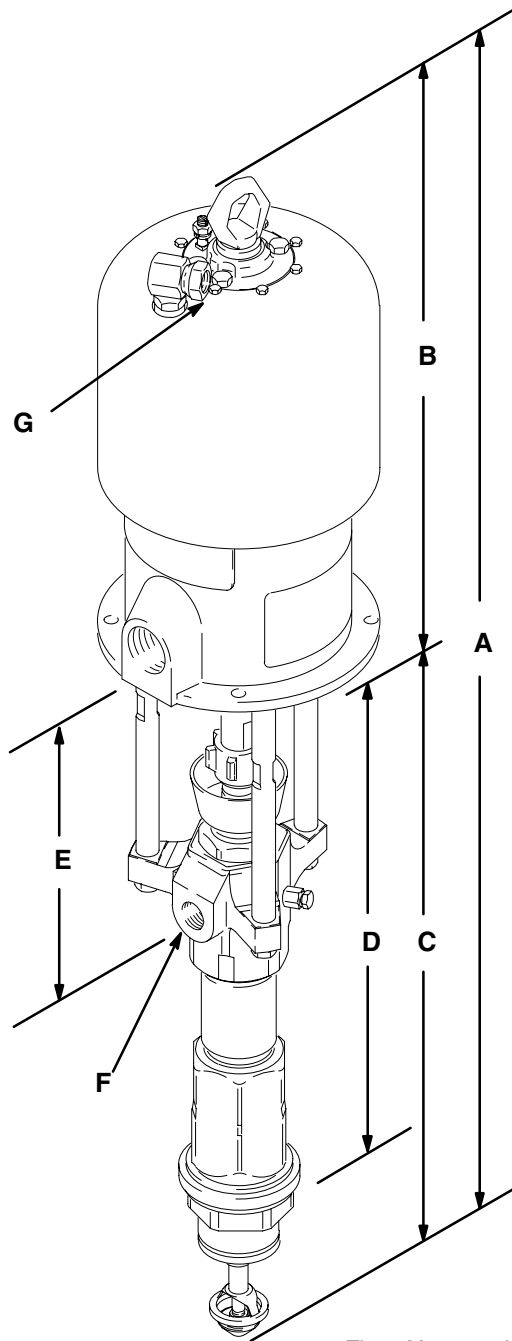
To find Pump Air Consumption (m³/min or scfm) at a specific fluid flow (lpm/gpm) and air pressure (bar/psi):

1. Locate desired flow along bottom of chart.
2. Read vertical line up to intersection with selected air consumption curve (gray). Follow right to scale to read air consumption.

Notes

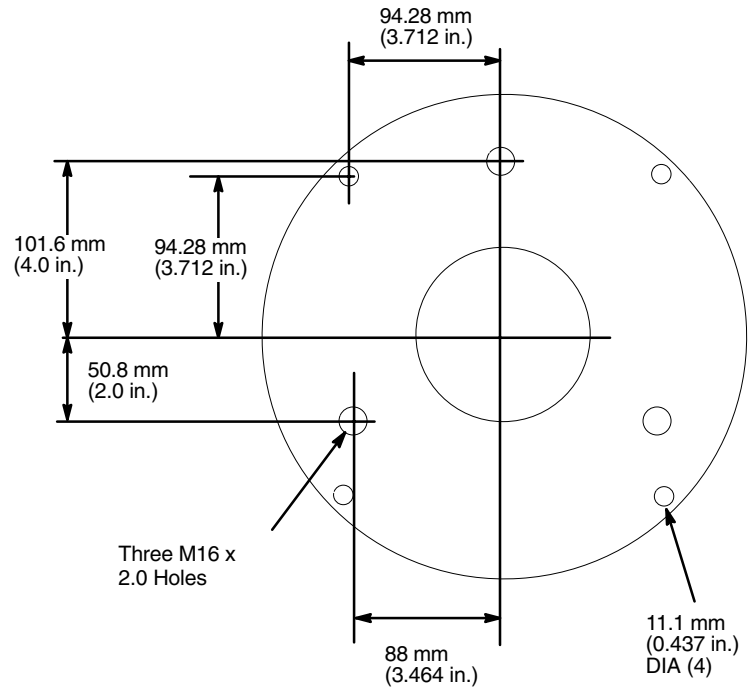
Dimensions and Mounting Hole Layout

Model 237708 Shown



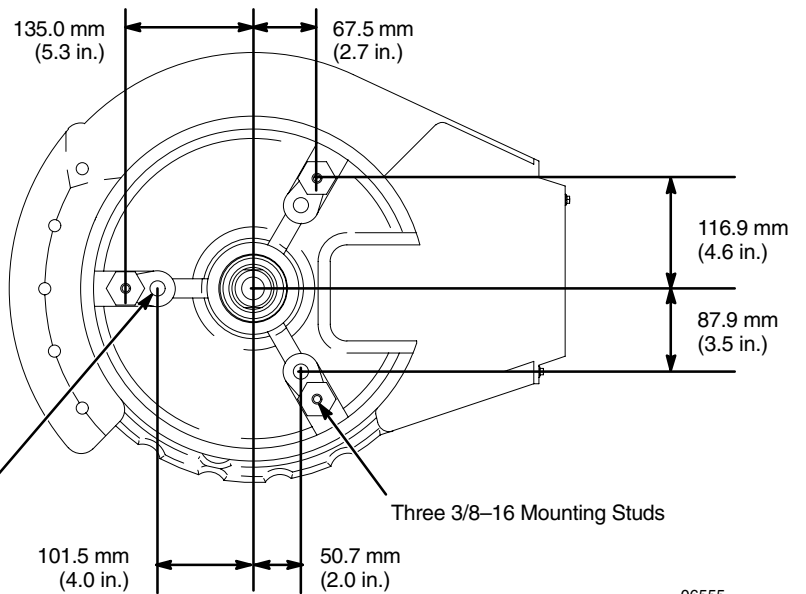
04995

King Pumps



0653

Premier Pumps



06555

Pump Model	A	B	C	D	E	F	G
237708	1376.7 mm (54.20 in.)	583.0 mm (22.95 in.)	793.7 mm (31.25 in.)	650.5 mm (25.61 in.)	257.0 mm (10.12 in.)	1 in. npt(f)	3/4 npsm(f)
237520	1523 mm (60.01 in.)	428.8 mm (16.88 in.)	1111 mm (43.77 in.)	961.0 mm (37.86 in.)	567.5 mm (22.36 in.)	1 in. npt(f)	1 in. npt(f)

Graco Standard Warranty

Graco warrants all equipment manufactured by Graco and bearing its name to be free from defects in material and workmanship on the date of sale to the original purchaser for use. With the exception of any special, extended, or limited warranty published by Graco, Graco will, for a period of twelve months from the date of sale, repair or replace any part of the equipment determined by Graco to be defective. This warranty applies only when the equipment is installed, operated and maintained in accordance with Graco's written recommendations.

This warranty does not cover, and Graco shall not be liable for general wear and tear, or any malfunction, damage or wear caused by faulty installation, misapplication, abrasion, corrosion, inadequate or improper maintenance, negligence, accident, tampering, or substitution of non-Graco component parts. Nor shall Graco be liable for malfunction, damage or wear caused by the incompatibility of Graco equipment with structures, accessories, equipment or materials not supplied by Graco, or the improper design, manufacture, installation, operation or maintenance of structures, accessories, equipment or materials not supplied by Graco.

This warranty is conditioned upon the prepaid return of the equipment claimed to be defective to an authorized Graco distributor for verification of the claimed defect. If the claimed defect is verified, Graco will repair or replace free of charge any defective parts. The equipment will be returned to the original purchaser transportation prepaid. If inspection of the equipment does not disclose any defect in material or workmanship, repairs will be made at a reasonable charge, which charges may include the costs of parts, labor, and transportation.

THIS WARRANTY IS EXCLUSIVE, AND IS IN LIEU OF ANY OTHER WARRANTIES, EXPRESS OR IMPLIED, INCLUDING BUT NOT LIMITED TO WARRANTY OF MERCHANTABILITY OR WARRANTY OF FITNESS FOR A PARTICULAR PURPOSE.

Graco's sole obligation and buyer's sole remedy for any breach of warranty shall be as set forth above. The buyer agrees that no other remedy (including, but not limited to, incidental or consequential damages for lost profits, lost sales, injury to person or property, or any other incidental or consequential loss) shall be available. Any action for breach of warranty must be brought within two (2) years of the date of sale.

Graco makes no warranty, and disclaims all implied warranties of merchantability and fitness for a particular purpose in connection with accessories, equipment, materials or components sold but not manufactured by Graco. These items sold, but not manufactured by Graco (such as electric motors, switches, hose, etc.), are subject to the warranty, if any, of their manufacturer. Graco will provide purchaser with reasonable assistance in making any claim for breach of these warranties.

In no event will Graco be liable for indirect, incidental, special or consequential damages resulting from Graco supplying equipment hereunder, or the furnishing, performance, or use of any products or other goods sold hereto, whether due to a breach of contract, breach of warranty, the negligence of Graco, or otherwise.

FOR GRACO CANADA CUSTOMERS

The parties acknowledge that they have required that the present document, as well as all documents, notices and legal proceedings entered into, given or instituted pursuant hereto or relating directly or indirectly hereto, be drawn up in English. Les parties reconnaissent avoir convenu que la rédaction du présente document sera en Anglais, ainsi que tous documents, avis et procédures judiciaires exécutés, donnés ou intentés à la suite de ou en rapport, directement ou indirectement, avec les procédures concernées.

Graco Information

TO PLACE AN ORDER, contact your Graco distributor, or call one of the following numbers to identify the distributor closest to you:

1-800-328-0211 Toll Free

612-623-6921

612-378-3505 Fax

All written and visual data contained in this document reflect the latest product information available at the time of publication. Graco reserves the right to make changes at any time without notice.

MM 308356

Graco Headquarters: Minneapolis

International Offices: Belgium, China, Japan, Korea

GRACO INC. P.O. BOX 1441 MINNEAPOLIS, MN 55440-1441

www.graco.com

PRINTED IN USA 308356 02/1997, Revised 04/2005