



INSTRUCTIONS

This manual contains important warnings and information.
READ AND KEEP FOR REFERENCE.

First choice when quality counts.™

3:1 RATIO FALCON™

Oil Dispensing Pumps

FOR LUBRICATING PRODUCTS ONLY

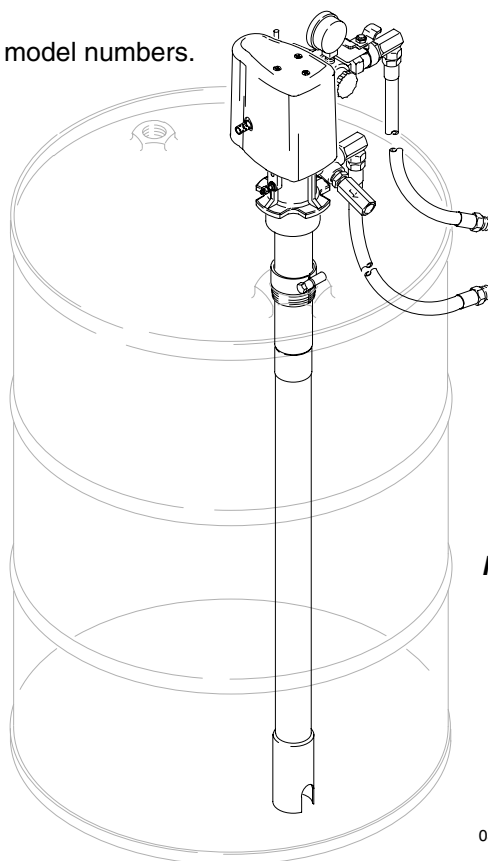
650 psi (4.5 MPa, 45 bar) Maximum Working Pressure

150 psi (1 MPa, 10 bar) Maximum Air Working Pressure

⚠ WARNING

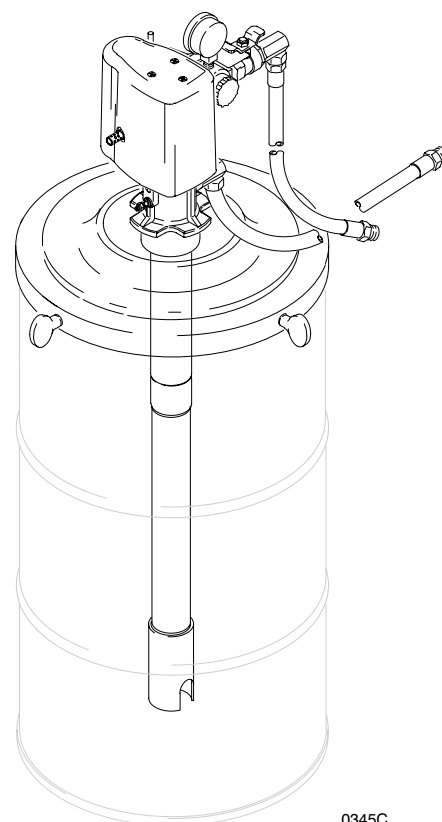
These pumps are designed to be used only in pumping non-corrosive and non-abrasive oils and lubricants. Any other use can cause unsafe operating conditions and component rupture, which can result in fluid injection or other serious bodily injury, or fire or explosion.

See page 6 for model numbers.



Model 244087

03457B



Model 244086

0345C

GRACO INC. P.O. BOX 1441 MINNEAPOLIS, MN 55440-1441

www.graco.com

©COPYRIGHT 1994, GRACO INC.
Graco Inc. is registered to I.S. EN ISO 9001

Table of Contents

Warnings	3	Parts	
Models	6	Model 244085, Universal Pump	16
Installation		Model 244086, 16-Gallon (60 Liter)	
Pressure Relief Procedure	8	Drum Cover Pump	17
Air Line Accessories	8	Model 244087, 55-Gallon (208 Liter)	
Grounding	9	Drum Bung Mount Pump	18
Operating and Service Instructions	9	Model 244088, 55-Gallon (208 Liter)	
Model 244085, Universal Pump	10	Drum Cover Pump	19
Model 244086, 16-Gallon (60 Liter)		Model 244089, 275-Gallon (1040 Liter)	
Drum Cover Pump	11	Tank Bung Mount Pump	20
Model 244087, 55-Gallon (208 Liter)		Model 244094, 16-Gallon (60 Liter)	
Drum Bung Mount Pump	12	Economy Portable Dispenser	21
Model 244088, 55-Gallon (208 Liter)		Technical Data	22
Drum Cover Pump	13	Warranty	24
Model 244089, 275-Gallon (1040 Liter)		Graco Phone Number	24
Tank Bung Mount Pump	14		
Model 244094, 16-Gallon (60 Liter)			
Economy Portable Dispenser	15		

Symbols

Warning Symbol



This symbol alerts you to the possibility of serious injury or death if you do not follow the instructions.

Caution Symbol



This symbol alerts you to the possibility of damage to or destruction of equipment if you do not follow the instructions.

WARNING



EQUIPMENT MISUSE HAZARD

Equipment misuse can cause the equipment to rupture or malfunction and result in serious injury.

- This equipment is for professional use only.
- Read all instruction manuals, tags, and labels before operating the equipment.
- Use the equipment only for its intended purpose. If you are not sure, call your Graco distributor.
- Do not alter or modify this equipment. Use only genuine Graco parts and accessories.
- Check equipment daily. Repair or replace worn or damaged parts immediately.
- Do not exceed the maximum working pressure stated on the equipment or in the **Technical Data** for your equipment. Do not exceed the maximum working pressure of the lowest rated component in your system.
- Use fluids and solvents that are compatible with the equipment wetted parts. Refer to the **Technical Data** section of all equipment manuals. Read the fluid and solvent manufacturer's warnings.
- Handle hoses carefully. Do not pull on hoses to move equipment.
- Route hoses away from traffic areas, sharp edges, moving parts, and hot surfaces. Do not expose Graco hoses to temperatures above 66°C (150°F) or below -40°C (-40°F).
- Wear hearing protection when operating this equipment.
- Do not move or lift pressurized equipment.
- Comply with all applicable local, state, and national fire, electrical, and safety regulations.
- Never use 1,1,1-trichloroethane, methylene chloride, other halogenated hydrocarbon solvents or fluids containing such solvents in this equipment. Such use could result in a serious chemical reaction, with the possibility of explosion, which could cause death, serious injury and/or substantial property damage. Consult your fluid suppliers to ensure that the fluids being used are compatible with aluminum parts.

WARNING



INJECTION HAZARD

Fluid from the valve, leaks, or ruptured components can inject fluid into your body and cause extremely serious injury, including the need for amputation. Fluid splashed in the eyes or on the skin can also cause serious injury.

- Fluid injected into the skin is a serious injury. The injury may look like just a cut, but it is a serious injury. Get immediate medical attention.
- Do not point the valve at anyone or at any part of the body.
- Do not put your hand or fingers over the valve tip.
- Do not stop or deflect leaks with your hand, body, glove or rag.
- Do not “blow back” fluid; this is not an air spray system.
- Follow the **Pressure Relief Procedure** on page 8 before you clean, check, or service the equipment.
- Tighten all fluid connections before operating the equipment.
- Check the hoses, tubes, and couplings daily. Replace worn, damaged, or loose parts immediately. Permanently coupled hoses cannot be repaired; replace the entire hose.



MOVING PARTS HAZARD

Moving parts can pinch or amputate your fingers.

- Keep clear of all moving parts when starting or operating the pump.
- Before checking or servicing the equipment, follow the **Pressure Relief Procedure** on page 8 to prevent the equipment from starting unexpectedly.

WARNING



FIRE AND EXPLOSION HAZARD

Improper grounding, poor ventilation, open flames, or sparks can cause a hazardous condition and result in a fire or explosion and serious injury.

- Ground the equipment and the object being dispensed to. Refer to **Grounding** on page 9.
- If there is any static sparking or you feel an electric shock while using this equipment, **stop dispensing immediately**. Do not use the equipment until you identify and correct the problem.
- Provide fresh air ventilation to avoid the buildup of flammable fumes from solvents or the fluid being dispensed.
- Keep the dispensing area free of debris, including solvent, rags, and gasoline.
- Do not smoke in the dispensing area.



TOXIC FLUID HAZARD

Hazardous fluid or toxic fumes can cause serious injury or death if splashed in the eyes or on the skin, inhaled, or swallowed.

- Know the specific hazards of the fluid you are using.
- Store hazardous fluid in an approved container. Dispose of hazardous fluid according to all local, state and national guidelines.
- The air motor exhausts any fluids added to the input air, such as oil or antifreeze.
- Always wear protective eyewear, gloves, clothing and respirator as recommended by the fluid and solvent manufacturer.
- Graco does not manufacture or supply the reactive chemical components that may be used in this equipment and is not responsible for injury or property loss, damage, expense, or claims (direct or consequential) that arise from the use of such chemical components.

United States Government safety standards have been adopted under the Occupational Safety and Health Act. You should consult these standards, particularly the General Standards, Part 1910, and the Construction Standards, Part 1926.

Models

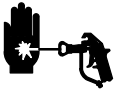
Model No.	Size	Mounting Type*	Hose and Fitting Kit	Air Regulator Kit	Dispense Kit	Portable Base
244085, Series A	Universal		X	X		
244086, Series A	16 Gallon (60 Liter)	C	X	X		
244087, Series A	55 Gallon (208 Liter)	B	X	X		
244088, Series A	55 Gallon (208 Liter)	C	X	X		
244089, Series A	275 Gallon (1040 Liter)	B	X	X		
244094, Series B	16 Gallon (60 Liter)	C			X	X

*Mounting types: C = Cover B = Bung Adapter

Installation

Pressure Relief Procedure

WARNING



INJECTION HAZARD

Fluid under high pressure can be injected through the skin and cause serious injury. To reduce the risk of an injury from injection, splashing fluid, or moving parts, follow the **Pressure Relief Procedure** whenever you

- Are instructed to relieve the pressure
- Shut off the pump
- Check or service any of the system equipment
- Install or change the dispensing nozzles

1. Close the pump air regulator.
2. Close the bleed-type master air valve (required in your system).
3. Hold a metal part of the dispensing valve firmly to the side of a grounded metal waster container, and trigger the valve to relieve fluid pressure.

If you suspect that the dispensing valve, extension, or nozzle is clogged or that pressure has not been fully relieved after following the steps above, very slowly loosen the coupler or hose end coupling and relieve pressure gradually, then loosen it completely, then clear the clog.

Air Line Accessories

Refer to your pump manual 309223 (supplied) for a Typical Installation drawing and information on recommended air line accessories.

WARNING

A bleed-type master air valve is required in your system to help reduce the risk of serious bodily injury including fluid injection, splashing in the eyes or on the skin, and injury from moving parts if you are adjusting or repairing the pump.

The bleed-type master air valve relieves air trapped between this valve and the pump after the air is shut off. Trapped air can cause the pump to cycle unexpectedly. Locate the valve close to the pump.

CAUTION

Thermal expansion of fluid in the outlet line can cause overpressurization, This can occur when using hard-plumbed fluid lines exposed to sunlight or ambient heat, or when pumping from a cool to a warm area (for example, from an underground tank through fluid lines near the ceiling).


If thermal expansion could occur in your system, you must install a 235998 Thermal Relief Kit at the pump outlet to prevent overpressurization and rupture of the pump or hose.

Installation

Grounding

⚠ WARNING

FIRE AND EXPLOSION HAZARD
Before operating the pump, ground the system as explained below. See **Fire or Explosion Hazard** on page 5.



To reduce the risk of static sparking, ground the pump. Check your local electrical code for detailed grounding instructions for your area and type of equipment. Be sure to ground all of the dispensing equipment:

- *Pump:* Use a ground wire and clamp as shown in Fig. 1.
- *Fluid hoses:* Use only grounded fluid hoses.
- *Air hoses:* Use only grounded air hoses.
- *Dispensing valve:* Obtain grounding through connection to a properly grounded fluid hose and pump.
- *Fluid supply container:* Follow local code.
- *Air compressor:* Follow local code.
- *To maintain grounding continuity when flushing or relieving pressure,* always hold a metal part of the dispense valve firmly to the side of a grounded metal pail, then trigger the valve.

To ground the pump, loosen the grounding lug locknut (W) and washer (X). Insert one end of a 12-ga (1.5 mm²) minimum ground wire (Y) into the slot in lug (Z) and tighten the locknut securely. Connect the other end of the ground wire to a true earth ground. See Fig 1. *To order a ground wire and clamp, order Part No. 222011.*

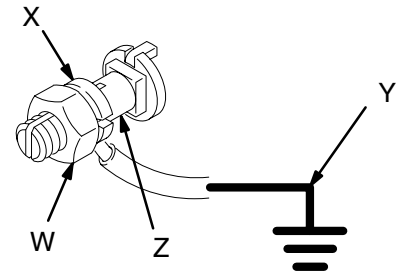


Fig. 1

Operating and Service Instructions

Refer to your pump manual 309223 (supplied) for operating and service instructions.

Installation

Model 244085, Universal Pump

1. See Fig. 2. Assemble the air regulator kit (items 3a–3d) to the pump air inlet (A), as shown. Use thread sealant and tighten all parts securely.
2. Apply thread sealant to the male threads of the 3/8 npt swivel union (2b). Screw the union into the bleed-type master air valve (3c).
3. Apply thread sealant to the male threads of the 1/2 npt swivel union (2d). Screw the union into the pump fluid outlet (B).
4. Connect the 1/2 npt(mbe) fluid hose (2c) to the swivel union (2d).
5. Connect the 3/8 npt(mbe) air hose (2a) to the swivel union (2b).

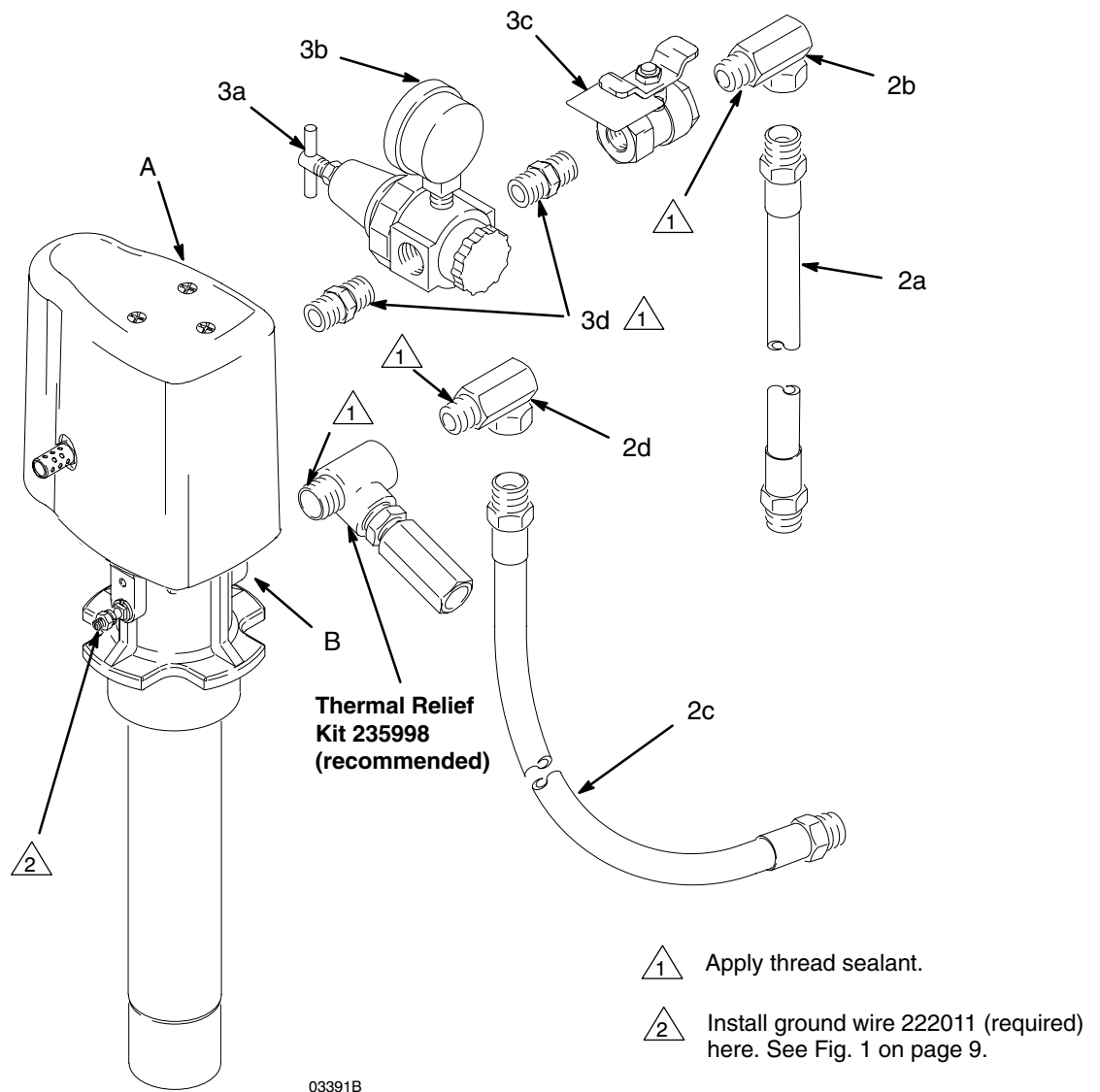


Fig. 2

Installation

Model 244086, 16-Gallon (60 Liter) Drum Cover Pump

1. Set the cover (4) on a 16-gallon (60 liter) drum and secure with the thumbscrews (G). See Fig. 3.
2. Install the pump (1) on the cover (4) with the screws (E), washers and nuts (F) supplied.
3. Assemble the air regulator kit (items 3a–3d) to the pump air inlet (A), as shown. Use thread sealant and tighten all parts securely.
4. Apply thread sealant to the male threads of the 3/8 npt swivel union (2b). Screw the union into the bleed-type master air valve (3c).
5. Apply thread sealant to the male threads of the 1/2 npt swivel union (2d). Screw the union into the pump fluid outlet (B).
6. Connect the 1/2 npt(mbe) fluid hose (2c) to the swivel union (2d).
7. Connect the 3/8 npt(mbe) air hose (2a) to the swivel union (2b).

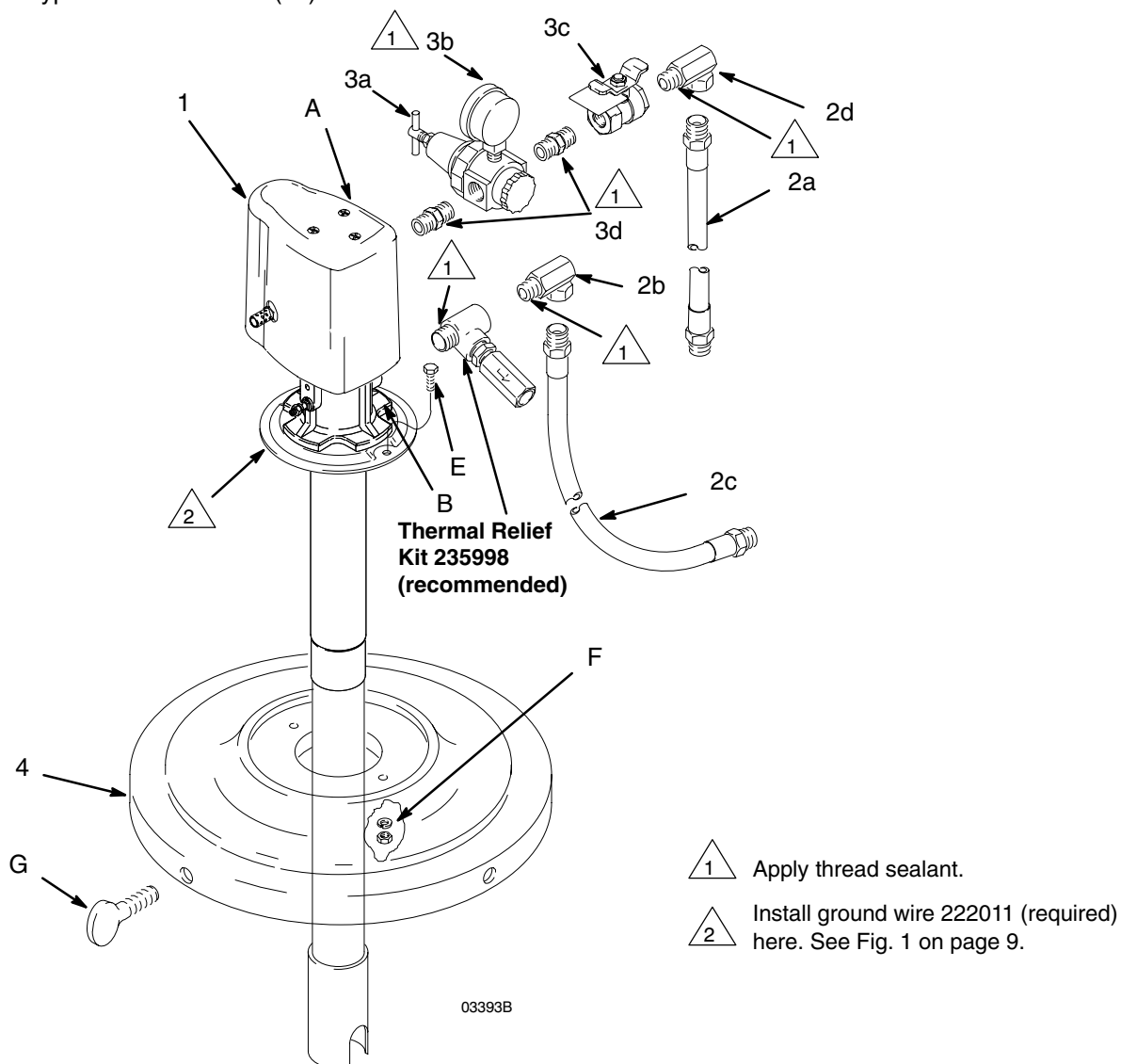


Fig. 3

Installation

Model 244087, 55-Gallon (208 Liter) Drum Bung-Mount Pump

1. Screw the bung adapter (C) into the bung hole of the drum. Adjust the pump (1) so its intake is about 1 in. (25 mm) off the bottom of the drum, then tighten the bung adapter screw (D) to hold the pump in position. See Fig. 4.
2. Assemble the air regulator kit (items 3a–3d) to the pump air inlet (A), as shown. Use thread sealant and tighten all parts securely.
3. Apply thread sealant to the male threads of the 3/8 npt swivel union (2b). Screw the union into the bleed-type master air valve (3c).
4. Apply thread sealant to the male threads of the 1/2 npt swivel union (2d). Screw the union into the pump fluid outlet (B).
5. Connect the 1/2 npt(mbe) fluid hose (2c) to the swivel union (2d).
6. Connect the 3/8 npt(mbe) air hose (2a) to the swivel union (2b).

1 Apply thread sealant.

2 Install ground wire 222011 (required) here. See Fig. 1 on page 9.

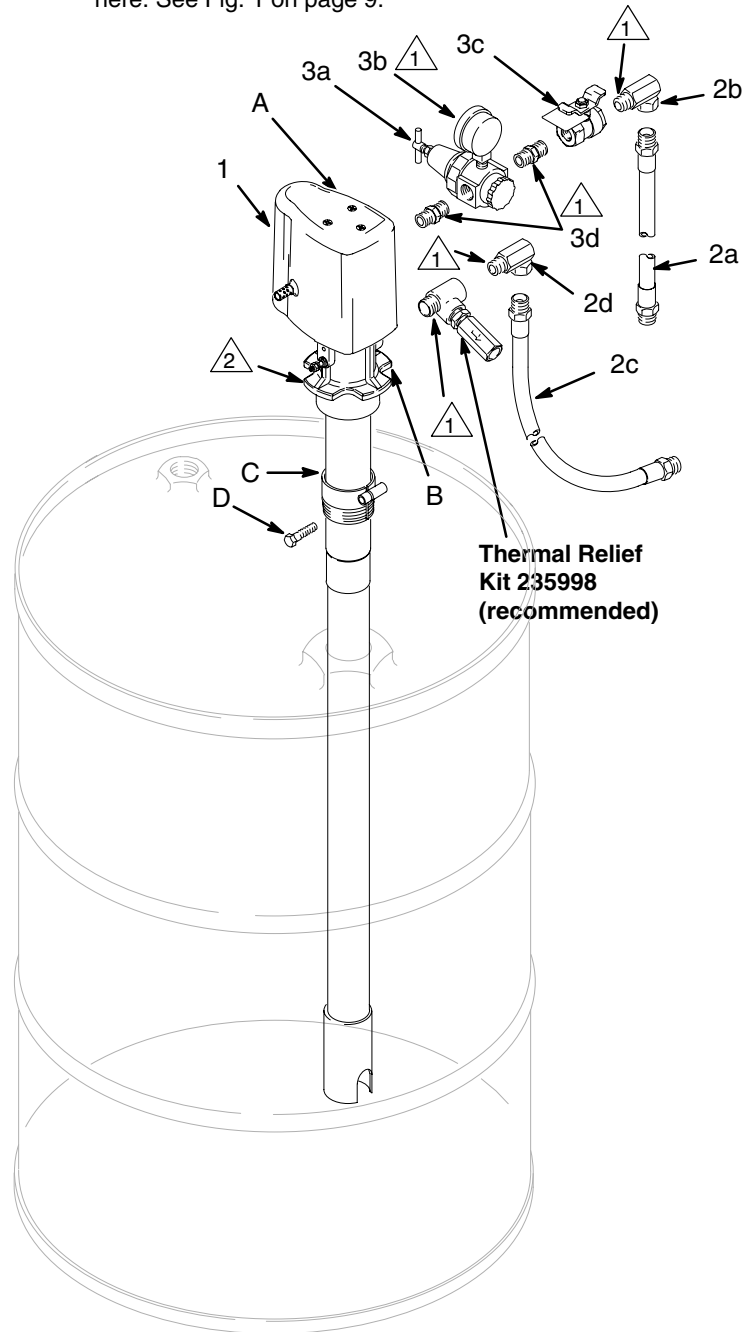


Fig. 4

03394B

Installation

Model 244088, 55-Gallon (208 Liter) Drum Cover Pump

1. Set the cover (4) on a 55-gallon (208 liter) drum. Install the pump (1) on the cover with the screws (E) supplied. See Fig. 5.
2. Assemble the air regulator kit (items 3a–3d) to the pump air inlet (A), as shown. Use thread sealant and tighten all parts securely.
3. Apply thread sealant to the male threads of the 3/8 npt swivel union (2b). Screw the union into the bleed-type master air valve (3c).
4. Apply thread sealant to the male threads of the 1/2 npt swivel union (2d). Screw the union into the pump fluid outlet (B).
5. Connect the 1/2 npt(mbe) fluid hose (2c) to the swivel union (2d).
6. Connect the 3/8 npt(mbe) air hose (2a) to the swivel union (2b).

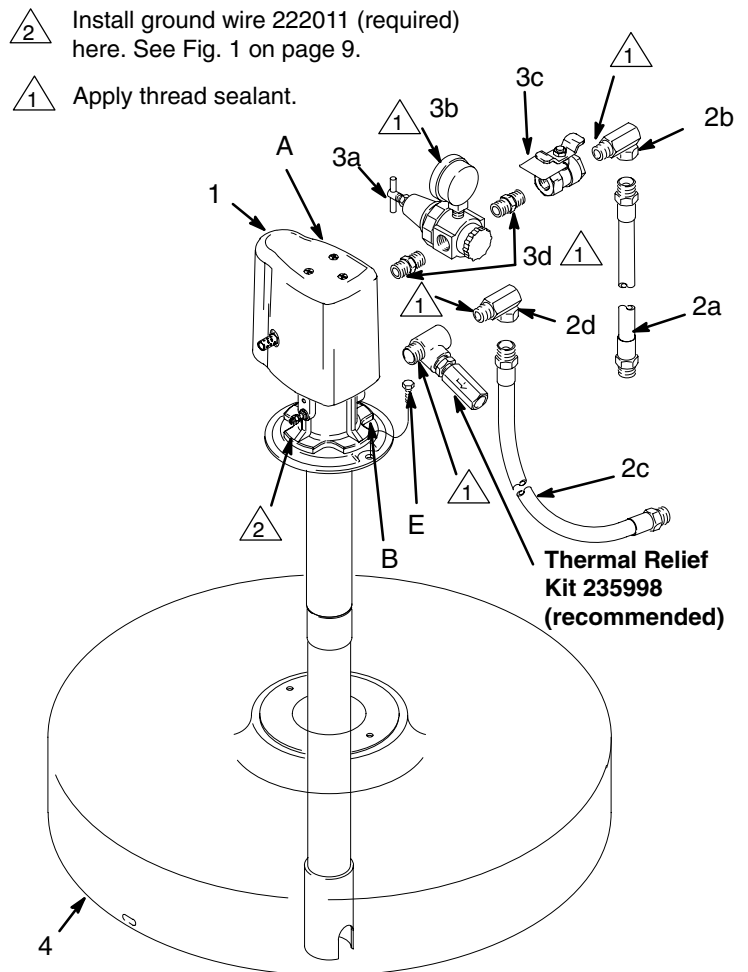


Fig. 5

03395B

Installation

Model 244089, 275-Gallon (1040 Liter) Tank Bung-Mount Pump

1. Screw the bung adapter (C) into the bung hole of the tank. Adjust the pump so its intake is about 1 in. (25 mm) off the bottom of the tank, then tighten the bung adapter screw (D) to hold the pump in position. See Fig. 6.
2. Assemble the air regulator kit (items 3a–3d) to the pump air inlet (A), as shown. Use thread sealant and tighten all parts securely.
3. Apply thread sealant to the male threads of the 3/8 npt swivel union (2b). Screw the union into the bleed-type master air valve (3c).
4. Apply thread sealant to the male threads of the 1/2 npt swivel union (2d). Screw the union into the pump fluid outlet (B).
5. Connect the 1/2 npt(mbe) fluid hose (2c) to the swivel union (2d).
6. Connect the 3/8 npt(mbe) air hose (2a) to the swivel union (2b).

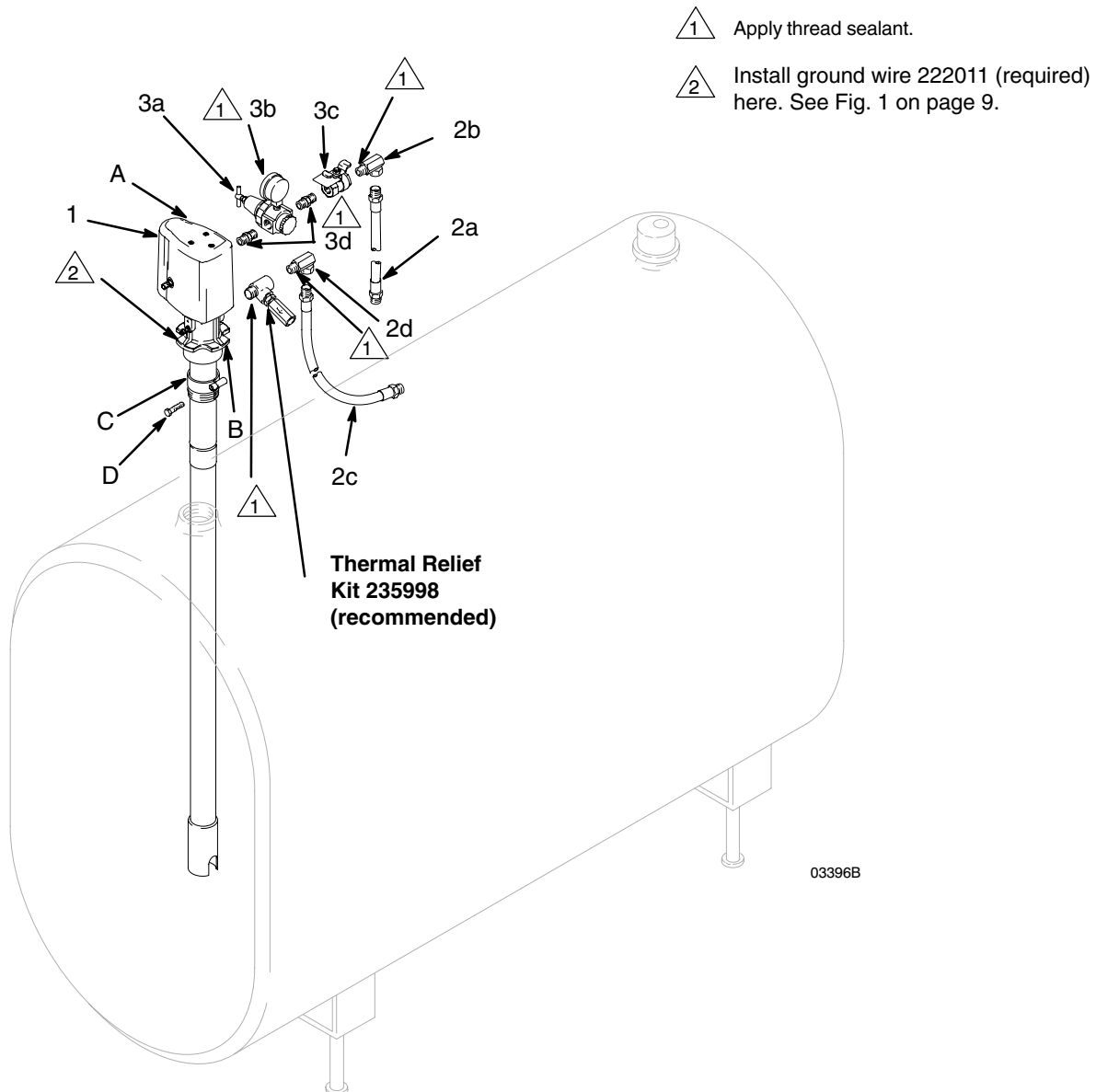



Fig. 6

Installation

Model 244094, 16-Gallon (60 Liter) Economy Portable Dispenser

1. Assemble the base (5) as shown in Fig. 7. Place an opened 16-gallon (60 liter) drum of oil on the base, and secure it with the hold-down clamps. Tighten the hold-down clamp bolts.
2. Set the cover (4) on a 16-gallon (60 liter) drum and secure with the thumbscrews (G). Install the pump (1) on the cover (4) with the screws (E), washers and nuts (F) supplied.
3. Install the seal nut (6d), nipple (6c), and meter (6e) in the fluid outlet (B) of the pump (1). Connect the hose (6a) to the meter outlet, then assemble the dispense valve (6b) to the hose.

 Install ground wire 222011 (required) here. See Fig. 1 on page 9.

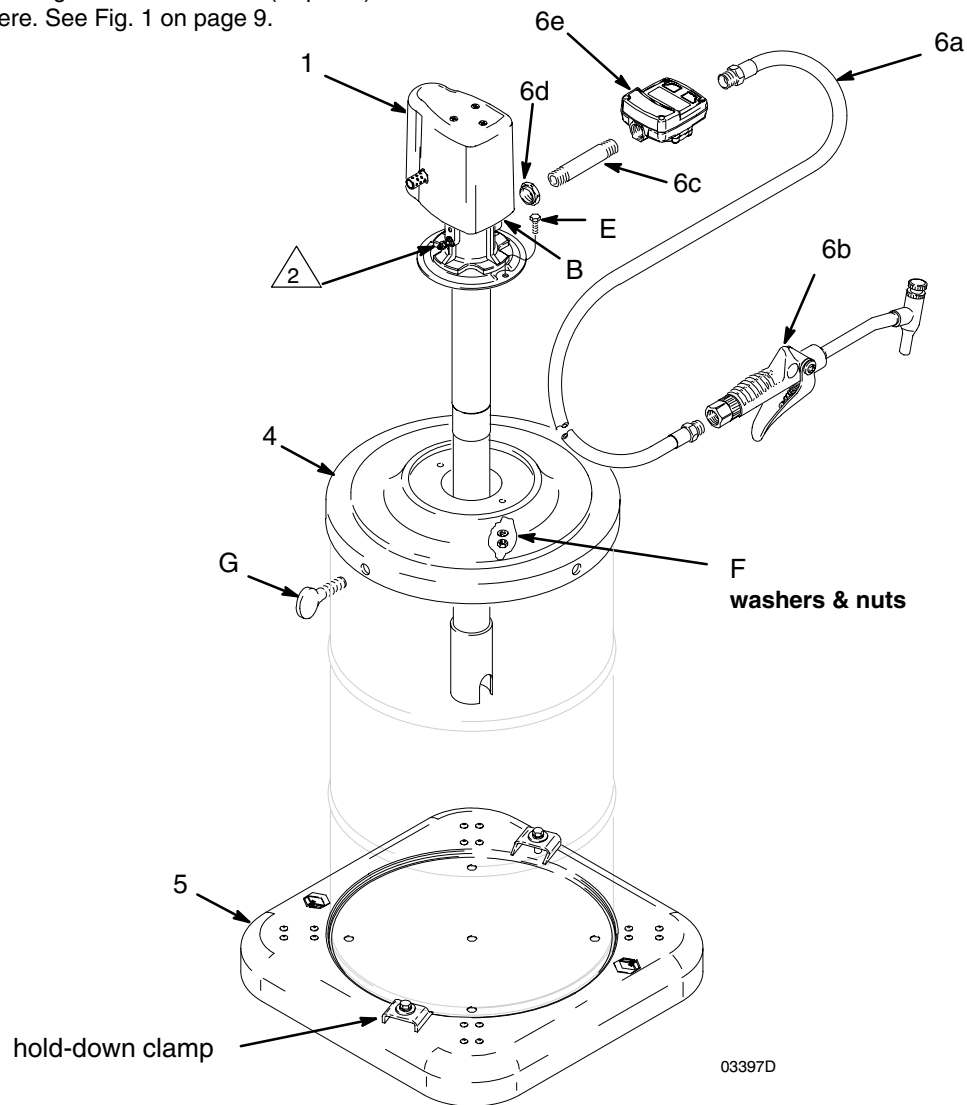


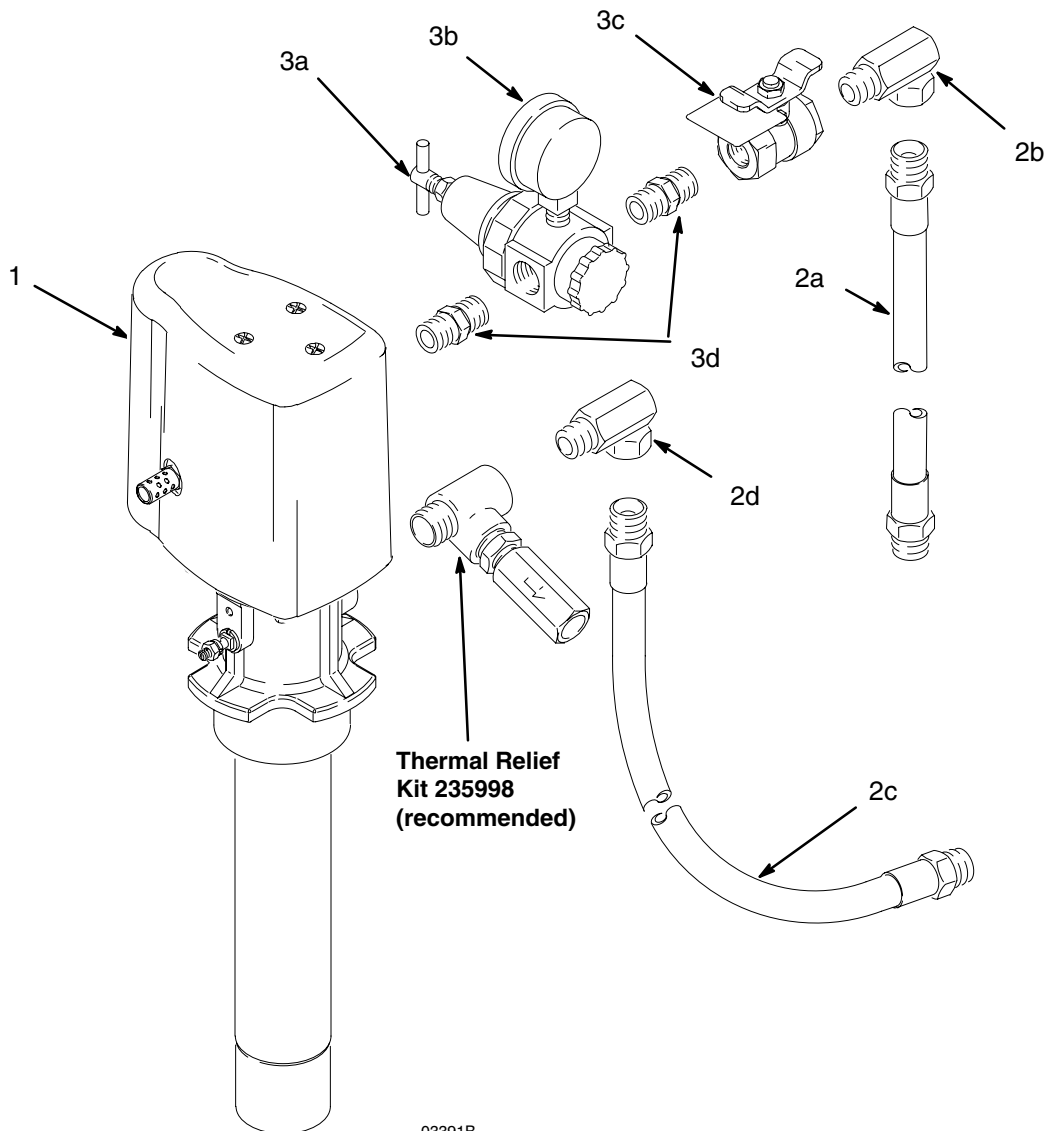
Fig. 7

03397C

Parts

Model 244085, Series A Universal Pump Includes items 1–3

Ref No.	Part No.	Description	Qty	Ref No.	Part No.	Description	Qty
1	244047	PUMP, Falcon; See 309223 for parts	1	3	224512	AIR REGULATOR KIT	1
2	222062	HOSE AND FITTING KIT; Includes items 2a–2d	1	3a	110234	• REGULATOR, air; 3/8 npt(f); 0–250 psi (0–1.7 MPa, 0–17.4 bar) range; see manual 308167	
2a	204560	• HOSE, air; buna-N; 3/8" ID; 3/8 npt(mbe); 1.5 ft (0.45 m)	1	3b	100960	• GAUGE, air pressure	1
2b	155494	• UNION, swivel, 90°; 3/8 npt(m) x 3/8 npt(f)	1	3c	110224	• VALVE, air, bleed-type; 3/8 npt(f)	1
2c	220598	• HOSE, fluid; nitrile; 1/2" ID; 1/2 npt(mbe); 1.5 ft (0.45 m)	1	3d	156849	• NIPPLE; 3/8 npt	2
2d	155470	• UNION, swivel, 90°; 1/2 npt(m) x 1/2 npsm(f)	1				

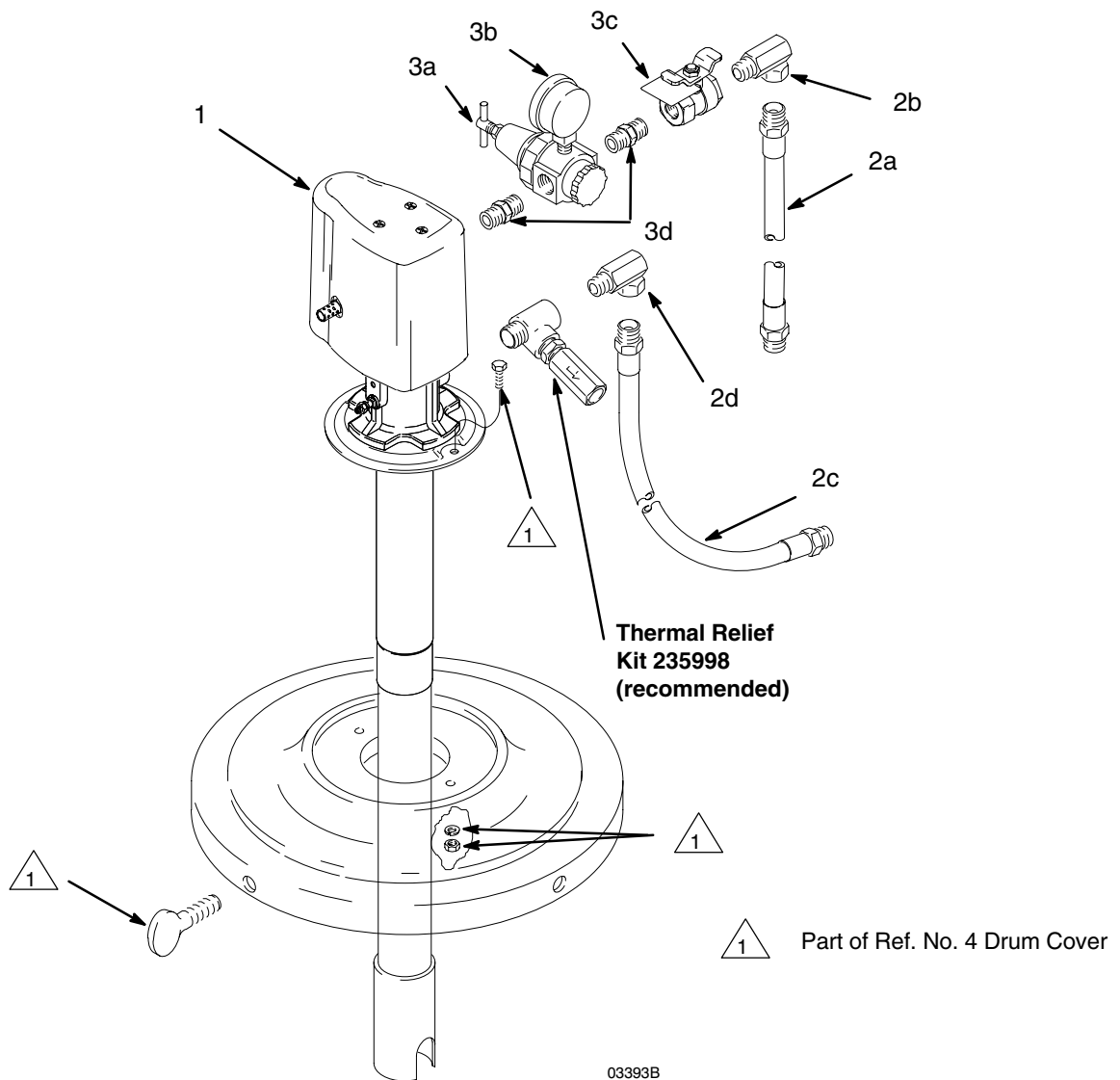


03391B

Parts

Model 244086, Series A 16-Gallon (60 Liter) Drum Cover Pump Includes items 1–4

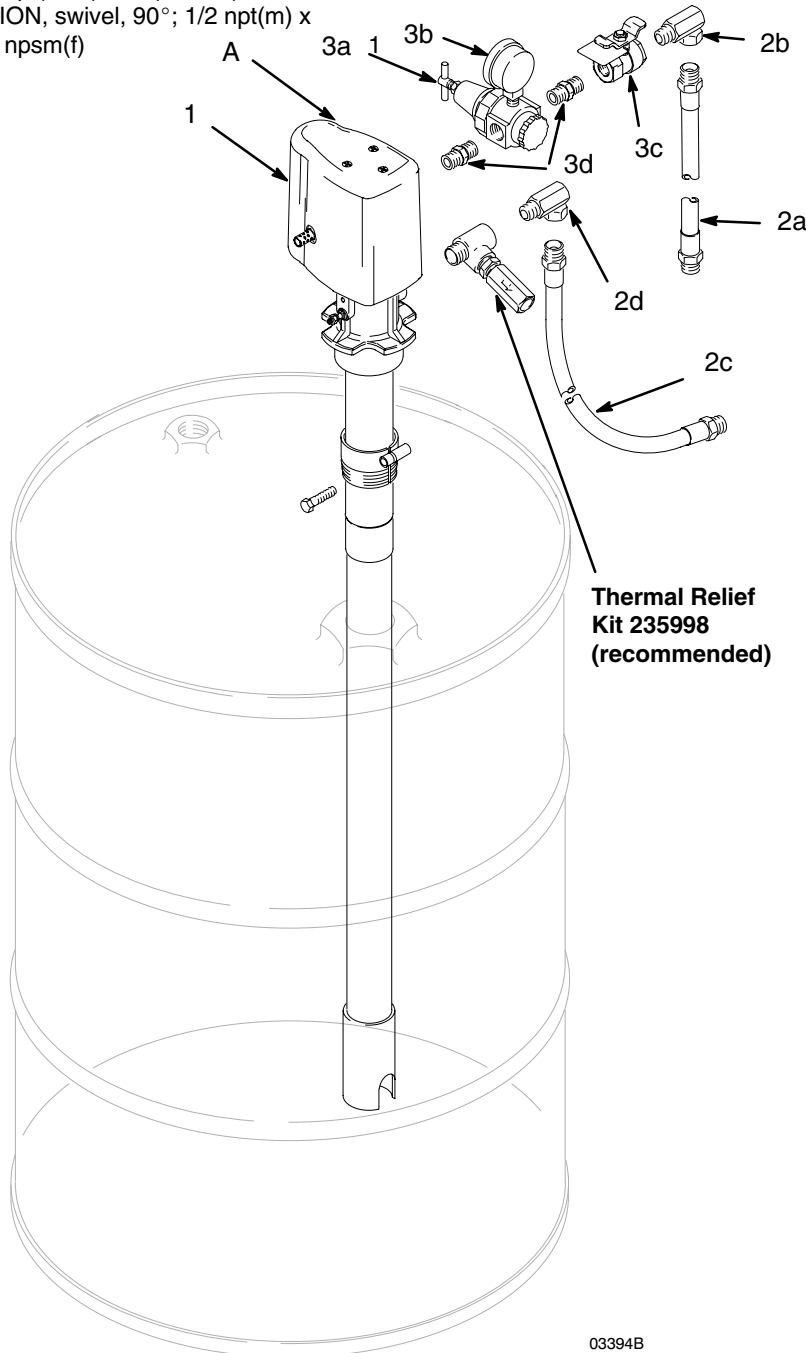
Ref No.	Part No.	Description	Qty	Ref No.	Description	Qty
				2d	155470 • UNION, swivel, 90°; 1/2 npt(m) x 1/2 npsm(f)	1
				3	224512 AIR REGULATOR KIT Includes items 3a–3d	1
1	244048	PUMP, Falcon; See 309223 for parts	1	3a	110234 • REGULATOR, air; 3/8 npt(f); 0–250 psi	1
2	222063	HOSE AND FITTING KIT; Includes items 2a–2d	1		(0–1.7 MPa, 0–17.4 bar) range; see manual 308167	1
2a	203320	• HOSE, air; buna-N; 3/8" ID; 3/8 npt(mbe); 6 ft (1.83 m)	1	3b	100960 • GAUGE, air pressure	1
2b	155494	• UNION, swivel, 90°; 3/8 npt(m) x 3/8 npt(f)	1	3c	110224 • VALVE, air, bleed-type; 3/8 npt(f)	1
2c	220591	• HOSE, fluid; nitrile; 1/2" ID; 1/2 npt(mbe); 6 ft (1.83 m)	1	3d	156849 • NIPPLE; 3/8 npt	2
				4	204574 • COVER, drum; See 306345 for parts	1



Parts

Model 244087, Series A 55-Gallon (208 Liter) Drum Bung-Mount Pump Includes items 1–3

Ref No.	Part No.	Description	Qty	Ref No.	Part No.	Description	Qty
1	244049	PUMP, Falcon; See 309223 for parts	1	3	224512	AIR REGULATOR KIT	1
2	222063	HOSE AND FITTING KIT;	1	3a	110234	• REGULATOR, air; 3/8 npt(f);	1
2a	203320	• HOSE, air; buna-N; 3/8" ID;	1			0–250 psi	
2b	155494	• UNION, swivel, 90°; 3/8 npt(m) x	1			(0–1.7 MPa, 0–17.4 bar) range;	1
2c	220591	• HOSE, fluid; nitrile; 1/2" ID;	1	3b	100960	• GAUGE, air pressure	1
2d	155470	• UNION, swivel, 90°; 1/2 npt(m) x	1	3c	110224	• VALVE, air, bleed-type; 3/8 npt(f)	1
		1/2 npsm(f)		3d	156849	• NIPPLE; 3/8 npt	2




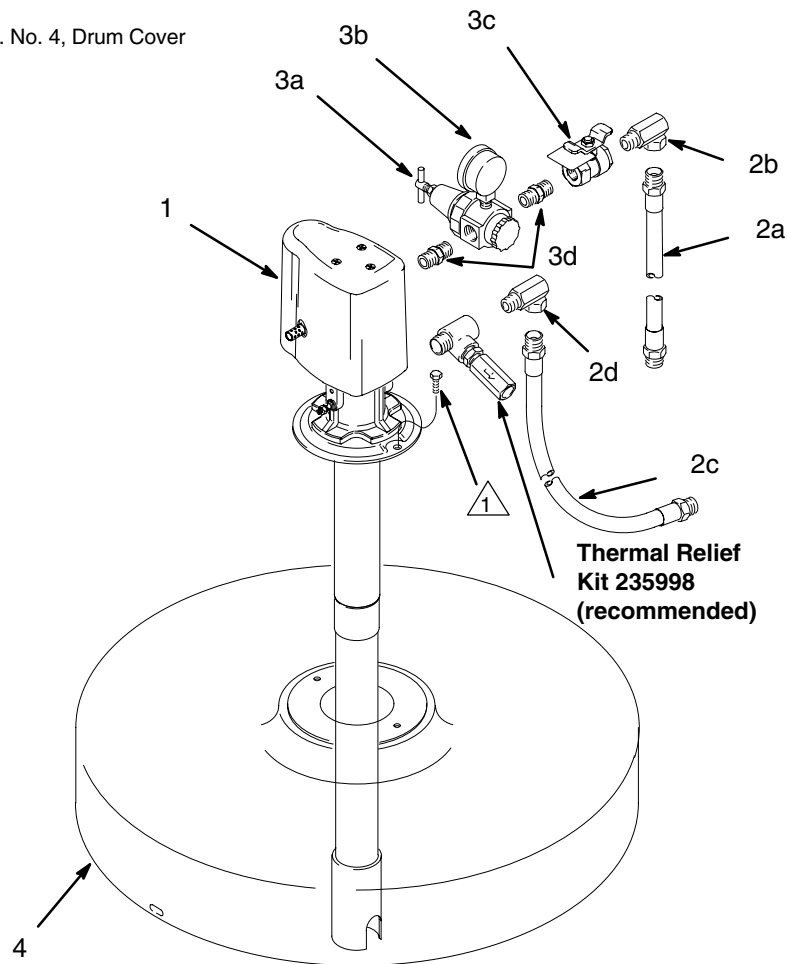
03394B

Parts

Model 244088, Series A 55-Gallon (208 Liter) Drum Cover Pump Includes items 1–4

Ref No.	Part No.	Description	Qty	Ref No.	Part No.	Description	Qty
1	244050	PUMP, Falcon; See 309223 for parts	1	3	224512	AIR REGULATOR KIT	
2	222063	HOSE AND FITTING KIT; Includes items 2a–2d	1	3a	110234	REGULATOR, air; 3/8 npt(f); 0–250 psi (0–1.7 MPa, 0–17.4 bar) range; see manual 308167	1
2a	203320	HOSE, air; buna-N; 3/8" ID; 3/8 npt(mbe); 6 ft (1.83 m)	1	3b	100960	GAUGE, air pressure	1
2b	155494	UNION, swivel, 90°; 3/8 npt(m) x 3/8 npt(f)	1	3c	110224	VALVE, air, bleed-type; 3/8 npt(f)	1
2c	220591	HOSE, fluid; nitrile; 1/2" ID; 1/2 npt(mbe); 6 ft (1.83 m)	1	3d	156849	NIPPLE; 3/8 npt	2
2d	155470	UNION, swivel, 90°; 1/2 npt(m) x 1/2 npsm(f)	1	4	200326	COVER, drum	1

 Part of Ref. No. 4, Drum Cover

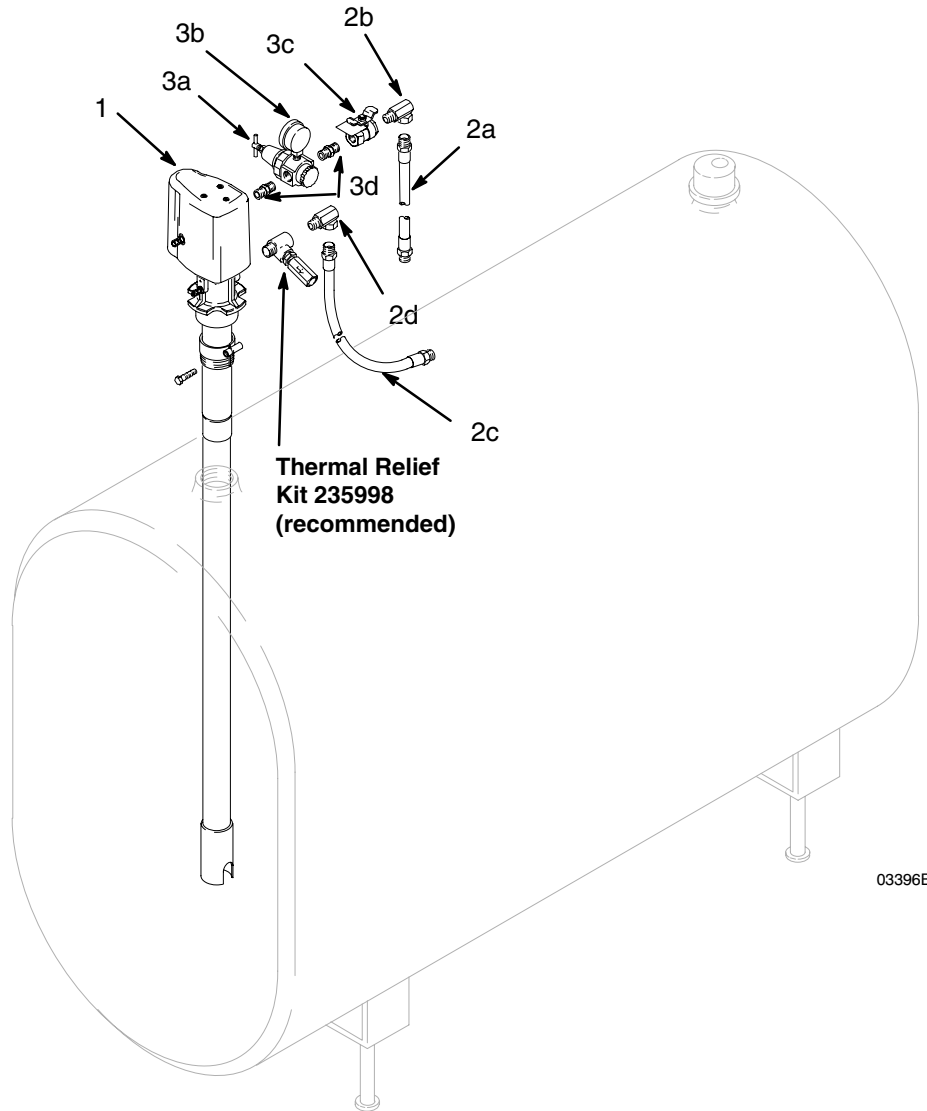


03395B

Parts

Model 244089, Series A 275-Gallon (1040 Liter) Tank Bung-Mount Pump Includes items 1–3

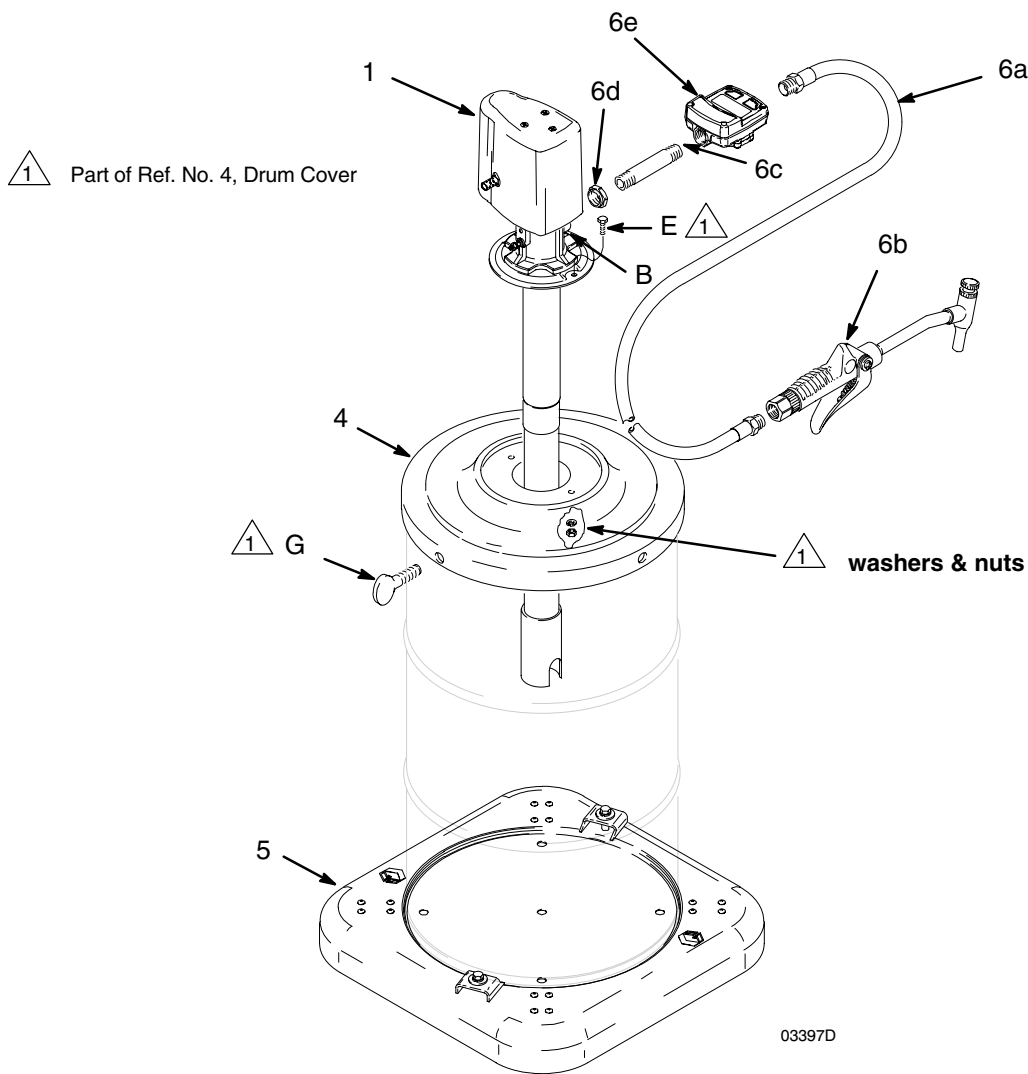
Ref No.	Part No.	Description	Qty	Ref No.	Part No.	Description	Qty
1	244051	PUMP, Falcon; See 309223 for parts	1	3	224512	AIR REGULATOR KIT Includes items 3a–3d	1
2	222063	HOSE AND FITTING KIT; Includes items 2a–2d	1	3a	110234	• REGULATOR, air; 3/8 npt(f); 0–250 psi (0–1.7 MPa, 0–17.4 bar) range; see manual 308167	1
2a	203320	• HOSE, air; buna-N; 3/8" ID; 3/8 npt(mbe); 6 ft (1.83 m)	1	3b	100960	• GAUGE, air pressure	1
2b	155494	• UNION, swivel, 90°; 3/8 npt(m) x 3/8 npt(f)	1	3c	110224	• VALVE, air, bleed-type; 3/8 npt(f)	1
2c	220591	• HOSE, fluid; nitrile; 1/2" ID; 1/2 npt(mbe); 6 ft (1.83 m)	1	3d	156849	• NIPPLE; 3/8 npt	2
2d	155470	• UNION, swivel, 90°; 1/2 npt(m) x 1/2 npsm(f)	1				



Parts

Model 244094, Series B 16-Gallon (60 Liter) Economy Portable Dispenser Includes items 1–6

Ref No.	Part No.	Description	Qty	Ref No.	Part No.	Description	Qty
1	244048	PUMP, Falcon; 3:1 Ratio; See manual 309223 for parts.	1	6a	220591	• HOSE, fluid; nitrile; 1/2" ID; 1/2 npt(mbe); 6 ft (1.83 m)	1
4	204574	COVER, drum;	1	6b	222412	• DISPENSE VALVE See 307995 for parts	1
5	203622	PORTABLE BASE;	1	6c	101353	• NIPPLE, adapter; 1/2 npt(mbe)	1
6	239704	DISPENSE KIT; Includes items 6a–6e	1	6d	112841	• NUT, seal	1
				6e	239824	• METER, electronic; gallon / quart / pint / liter	1



Technical Data

Maximum fluid working pressure	650 psi (45 bar, 4.5 MPa)
Maximum air inlet pressure	150 psi (10 bar, 1.0 MPa)
Ratio	3:1
Volume per pump cycle	0.037 gal (0.140 liter)
Maximum recommended pump speed	115 cycles per minute
Recommended pump speed for continuous operation	95 cycles per minute
Maximum delivery	4.3 gpm (16.3 liters/min) at 115 cycles/minute
Stroke length	3.25 in. (82.5 mm)
Maximum pump operating temperature	130°F (54°C)
Air inlet size	3/8 npt(f)
Fluid outlet size	1/2 npt(f)
Fluid inlet size	1 1/2 npt(f)
Pump weight (Model 241341)	12.0 lb (5.4 kg)
Wetted parts	aluminum, carbon steel, chrome alloy steel, urethane, Buna-N, acetal, ultra-high molecular weight polyethylene
* Sound pressure level at 70 psi air and 30 cpm	72.99 dB(A)
Sound power level at 70 psi air and 30 cpm	85.88 dB(A)
* Sound pressure level at 150 psi air and maximum cycle rate	79.36 dB(A)
Sound power level at 70 psi air and maximum cycle rate	92.25 dB(A)

* *Sound pressure levels measured per ISO Standard 9614-2.*

Graco Standard Warranty

Graco warrants all equipment manufactured by Graco and bearing its name to be free from defects in material and workmanship on the date of sale by an authorized Graco distributor to the original purchaser for use. With the exception of any special, extended, or limited warranty published by Graco, Graco will, for a period of twelve months from the date of sale, repair or replace any part of the equipment determined by Graco to be defective. This warranty applies only when the equipment is installed, operated and maintained in accordance with Graco's written recommendations.

This warranty does not cover, and Graco shall not be liable for general wear and tear, or any malfunction, damage or wear caused by faulty installation, misapplication, abrasion, corrosion, inadequate or improper maintenance, negligence, accident, tampering, or substitution of non-Graco component parts. Nor shall Graco be liable for malfunction, damage or wear caused by the incompatibility of Graco equipment with structures, accessories, equipment or materials not supplied by Graco, or the improper design, manufacture, installation, operation or maintenance of structures, accessories, equipment or materials not supplied by Graco.

This warranty is conditioned upon the prepaid return of the equipment claimed to be defective to an authorized Graco distributor for verification of the claimed defect. If the claimed defect is verified, Graco will repair or replace free of charge any defective parts. The equipment will be returned to the original purchaser transportation prepaid. If inspection of the equipment does not disclose any defect in material or workmanship, repairs will be made at a reasonable charge, which charges may include the costs of parts, labor, and transportation.

THIS WARRANTY IS EXCLUSIVE, AND IS IN LIEU OF ANY OTHER WARRANTIES, EXPRESS OR IMPLIED, INCLUDING BUT NOT LIMITED TO WARRANTY OF MERCHANTABILITY OR WARRANTY OF FITNESS FOR A PARTICULAR PURPOSE.

Graco's sole obligation and buyer's sole remedy for any breach of warranty shall be as set forth above. The buyer agrees that no other remedy (including, but not limited to, incidental or consequential damages for lost profits, lost sales, injury to person or property, or any other incidental or consequential loss) shall be available. Any action for breach of warranty must be brought within two (2) years of the date of sale.

Graco makes no warranty, and disclaims all implied warranties of merchantability and fitness for a particular purpose in connection with accessories, equipment, materials or components sold but not manufactured by Graco. These items sold, but not manufactured by Graco (such as electric motors, switches, hose, etc.), are subject to the warranty, if any, of their manufacturer. Graco will provide purchaser with reasonable assistance in making any claim for breach of these warranties.

In no event will Graco be liable for indirect, incidental, special or consequential damages resulting from Graco supplying equipment hereunder, or the furnishing, performance, or use of any products or other goods sold hereto, whether due to a breach of contract, breach of warranty, the negligence of Graco, or otherwise.

FOR GRACO CANADA CUSTOMERS

The parties acknowledge that they have required that the present document, as well as all documents, notices and legal proceedings entered into, given or instituted pursuant hereto or relating directly or indirectly hereto, be drawn up in English. Les parties reconnaissent avoir convenu que la rédaction du présente document sera en Anglais, ainsi que tous documents, avis et procédures judiciaires exécutés, donnés ou intentés à la suite de ou en rapport, directement ou indirectement, avec les procédures concernées.

Graco Phone Number

TO PLACE AN ORDER, contact your Graco distributor, or call this number to identify the distributor closest to you:
1-800-533-9655 Toll Free

*All written and visual data contained in this document reflects the latest product information available at the time of publication.
Graco reserves the right to make changes at any time without notice.*

Sales Offices: Minneapolis, Detroit
International Offices: Belgium, Korea, Hong Kong, Japan

GRACO INC. P.O. BOX 1441 MINNEAPOLIS, MN 55440-1441

www.graco.com

PRINTED IN U.S.A. 308382 May 1994, Revised July 2000